



US00D816368S

(12) **United States Design Patent**
Bellas

(10) **Patent No.:** **US D816,368 S**

(45) **Date of Patent:** **** May 1, 2018**

(54) **BABY BED**

(71) Applicant: **Kimon Bellas**, Camarillo, CA (US)

(72) Inventor: **Kimon Bellas**, Camarillo, CA (US)

(**) Term: **15 Years**

(21) Appl. No.: **29/583,872**

(22) Filed: **Nov. 9, 2016**

(51) **LOC (11) Cl.** **06-02**

(52) **U.S. Cl.**
USPC **D6/390**

(58) **Field of Classification Search**
USPC D6/382, 385, 390, 391; D21/520
CPC A47D 7/00; A47D 7/03; A47D 9/00
See application file for complete search history.

(56) **References Cited**

U.S. PATENT DOCUMENTS

D141,294 S *	5/1945	Woron	D6/385
D165,921 S *	2/1952	Ippolito	D21/520
3,196,467 A *	7/1965	Gradek	A47D 9/005
				5/102
3,583,006 A *	6/1971	Oehms	A47D 7/02
				5/100
D236,767 S *	9/1975	McKelvey	D6/385

(Continued)

OTHER PUBLICATIONS

Molly Dolly Wooden Dolls Rocking Cradle, ebay, earliest review date Apr. 16, 2016, site visited Aug. 28, 2017, available online at <https://www.ebay.co.uk/p/Molly-Dolly-Wooden-Dolls-Rocking-Cradle-crib-Wood-Rocker> . . . (Year: 2016).*

(Continued)

Primary Examiner — Cathron C Brooks

(74) *Attorney, Agent, or Firm* — Koppel, Patrick, Heybl & Philpott

(57) **CLAIM**

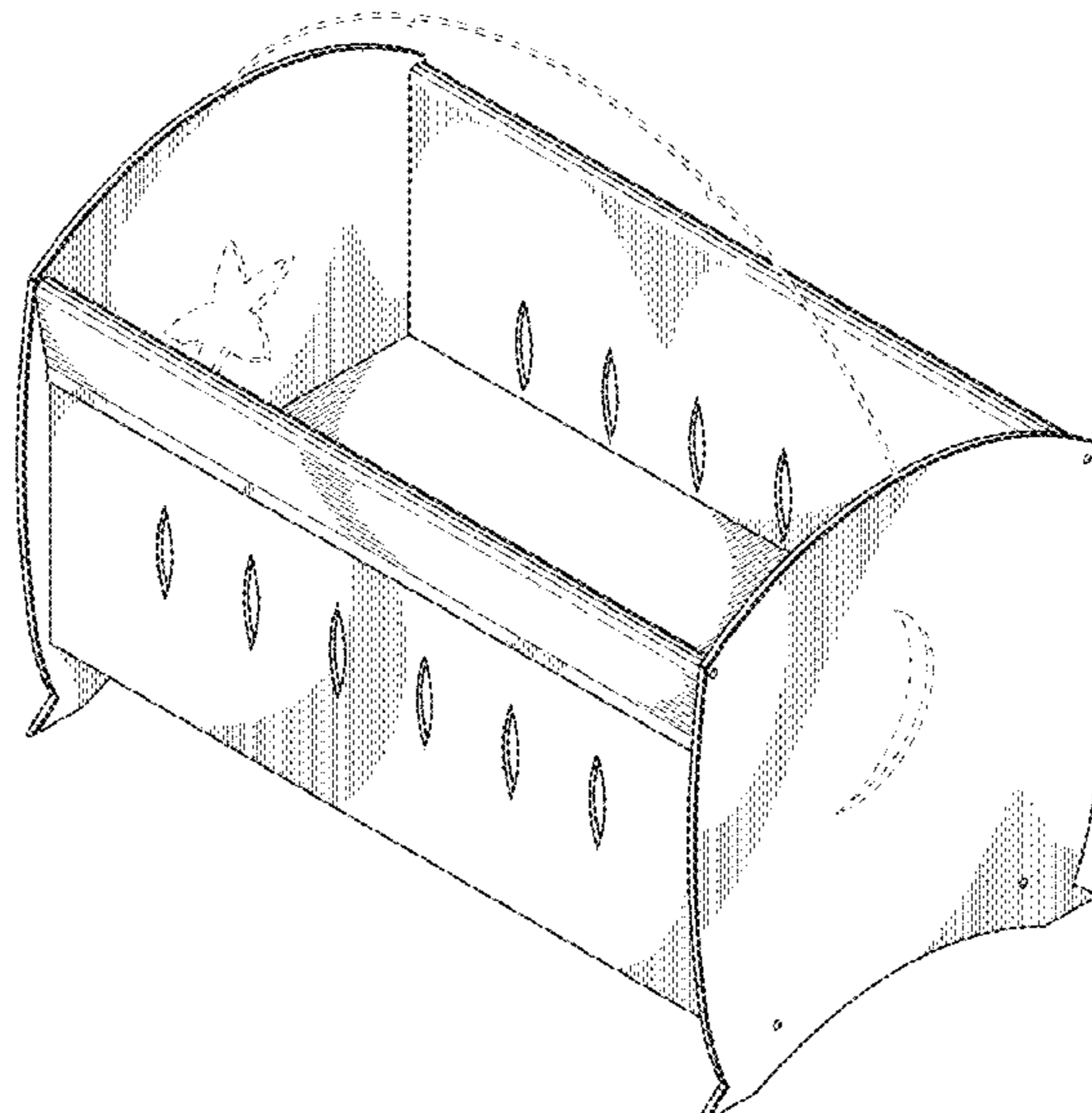
The ornamental design for a baby bed, as shown and described herein.

DESCRIPTION

FIG. 1 is a top, right side perspective view of one embodiment of a baby bed according to the present invention; FIG. 2 is a front elevation view of the baby bed shown in FIG. 1; FIG. 3 is a rear elevation view of the baby bed shown in FIG. 1; FIG. 4 is a top plan view of the baby bed shown in FIG. 1; FIG. 5 is a bottom plan view of the baby bed shown in FIG. 1; FIG. 6 is a right side elevation view of the baby bed shown in FIG. 1; FIG. 7 is a left side elevation view of the baby bed shown in FIG. 1; FIG. 8 is a top, right side perspective view of another embodiment of a baby bed according to the present invention; FIG. 9 is a front elevation view of the baby bed shown in FIG. 8; FIG. 10 is a rear elevation view of the baby bed shown in FIG. 8; FIG. 11 is a top plan view of the baby bed shown in FIG. 8; FIG. 12 is a bottom plan view of the baby bed shown in FIG. 8; FIG. 13 is a right side elevation view of the baby bed shown in FIG. 8; and, FIG. 14 is a left side elevation view of the baby bed shown in FIG. 8.

The broken lines shown in the figures depict environmental subject matter only, and form no part of the claimed design.

1 Claim, 8 Drawing Sheets



(56)

References Cited

U.S. PATENT DOCUMENTS

4,205,876 A * 6/1980 Cetina A47D 1/00
297/118
D329,759 S * 9/1992 Gandy D6/348
D380,794 S * 7/1997 Poisson D21/520
D403,174 S * 12/1998 Beaumont D6/388
D404,588 S * 1/1999 Darcy-Dominguez D6/385
D417,088 S * 11/1999 Patten D21/520
D418,690 S * 1/2000 Zaidman D6/384
D418,995 S * 1/2000 Blumenthal D6/385
D423,608 S * 4/2000 Michaelson D21/520
D494,379 S * 8/2004 Moore D6/385
D495,520 S * 9/2004 Salem D6/390
7,300,110 B1 * 11/2007 Debien A47C 3/0257
297/181
D643,644 S * 8/2011 Ehrlich D6/385
D666,020 S * 8/2012 Son D6/335

OTHER PUBLICATIONS

Wooden Doll Bunk Bed, Acraftersnook, May 28, 2017, site visited
on Aug. 28, 2017, available online at [https://www.etsy.com/listing/
212494002/wooden-doll-bunk-bed-and-ladder-set-with?ga_o](https://www.etsy.com/listing/212494002/wooden-doll-bunk-bed-and-ladder-set-with?ga_o) . . .
(Year: 2017).*

* cited by examiner

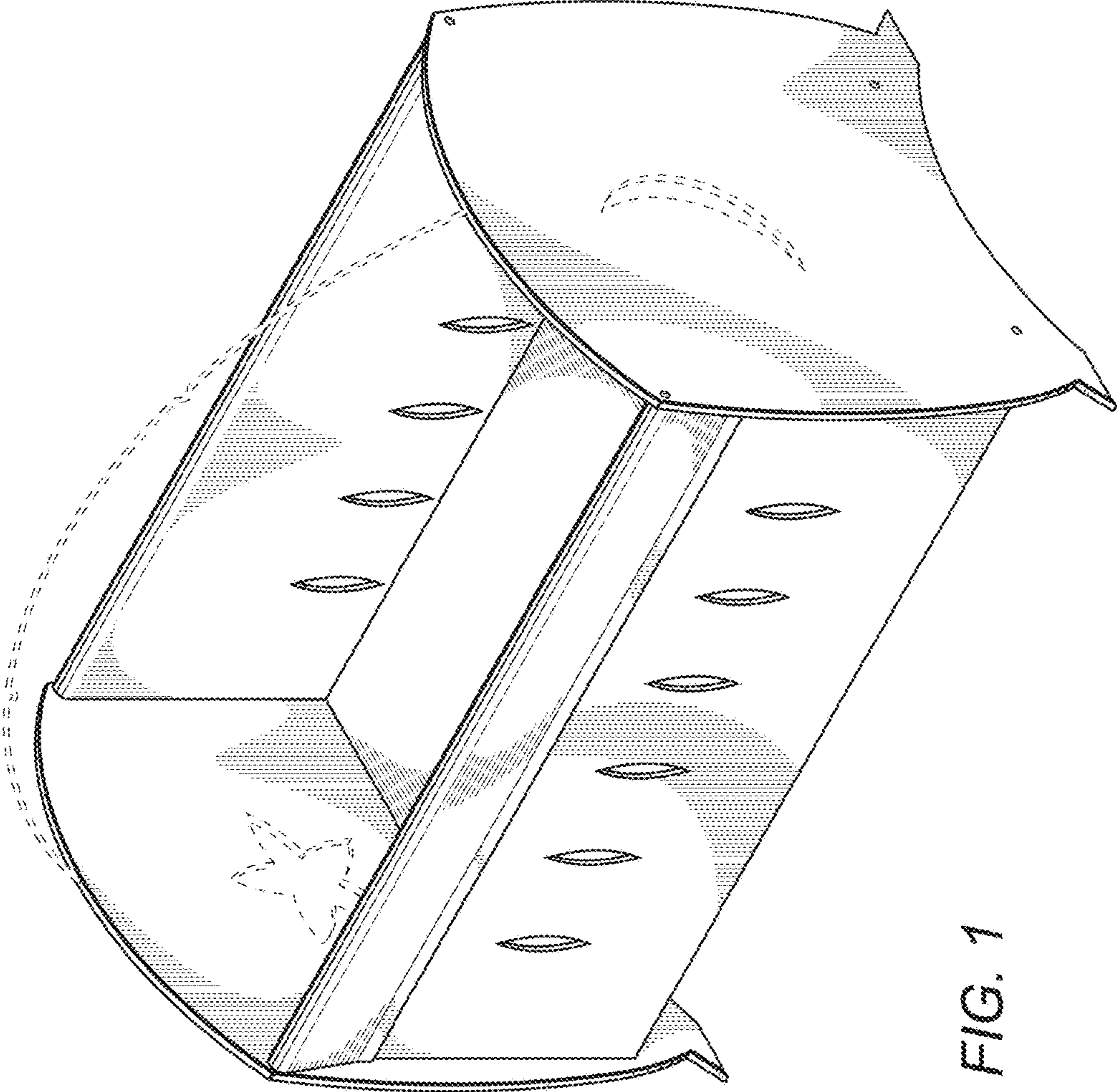


FIG. 1

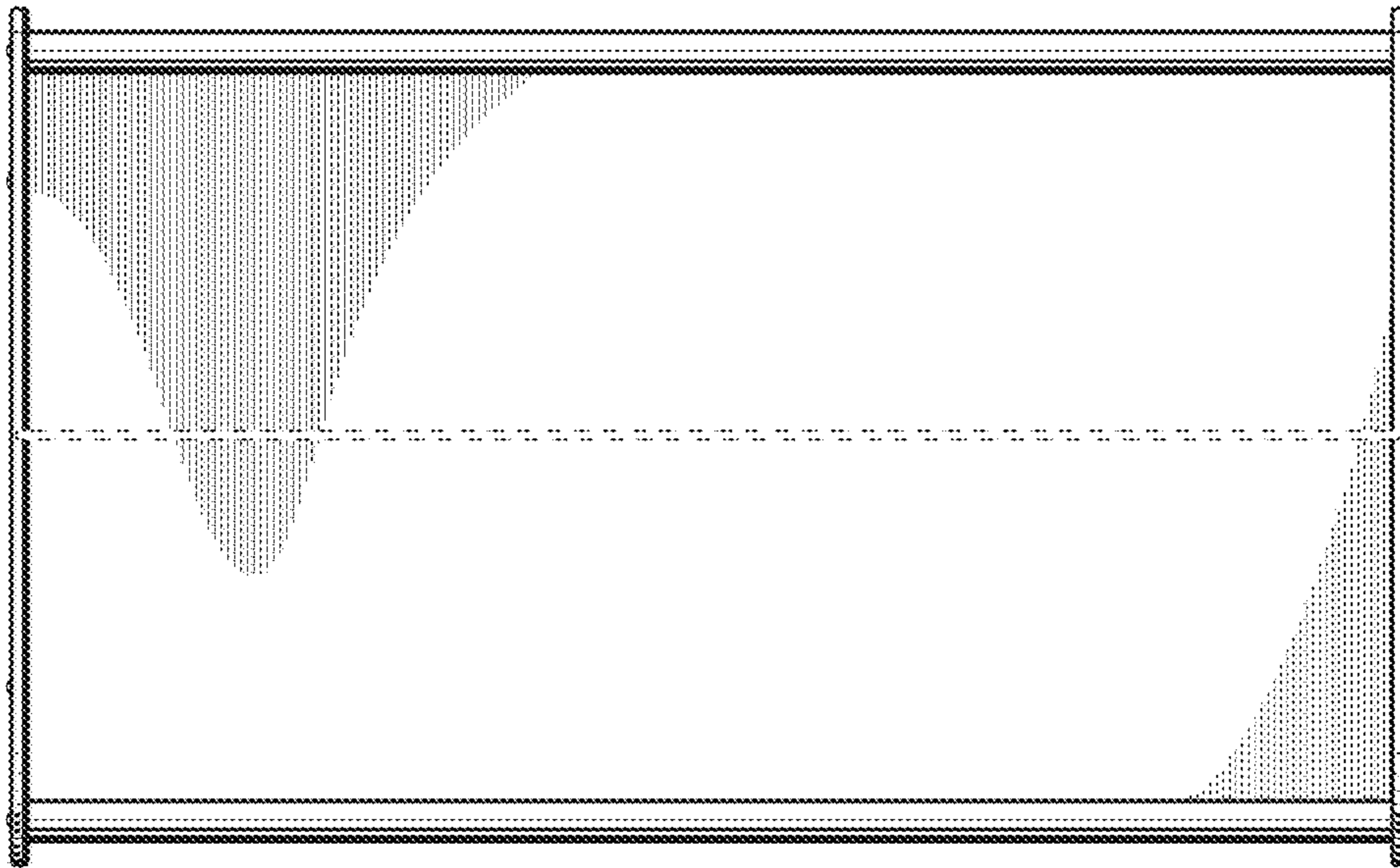


FIG. 4

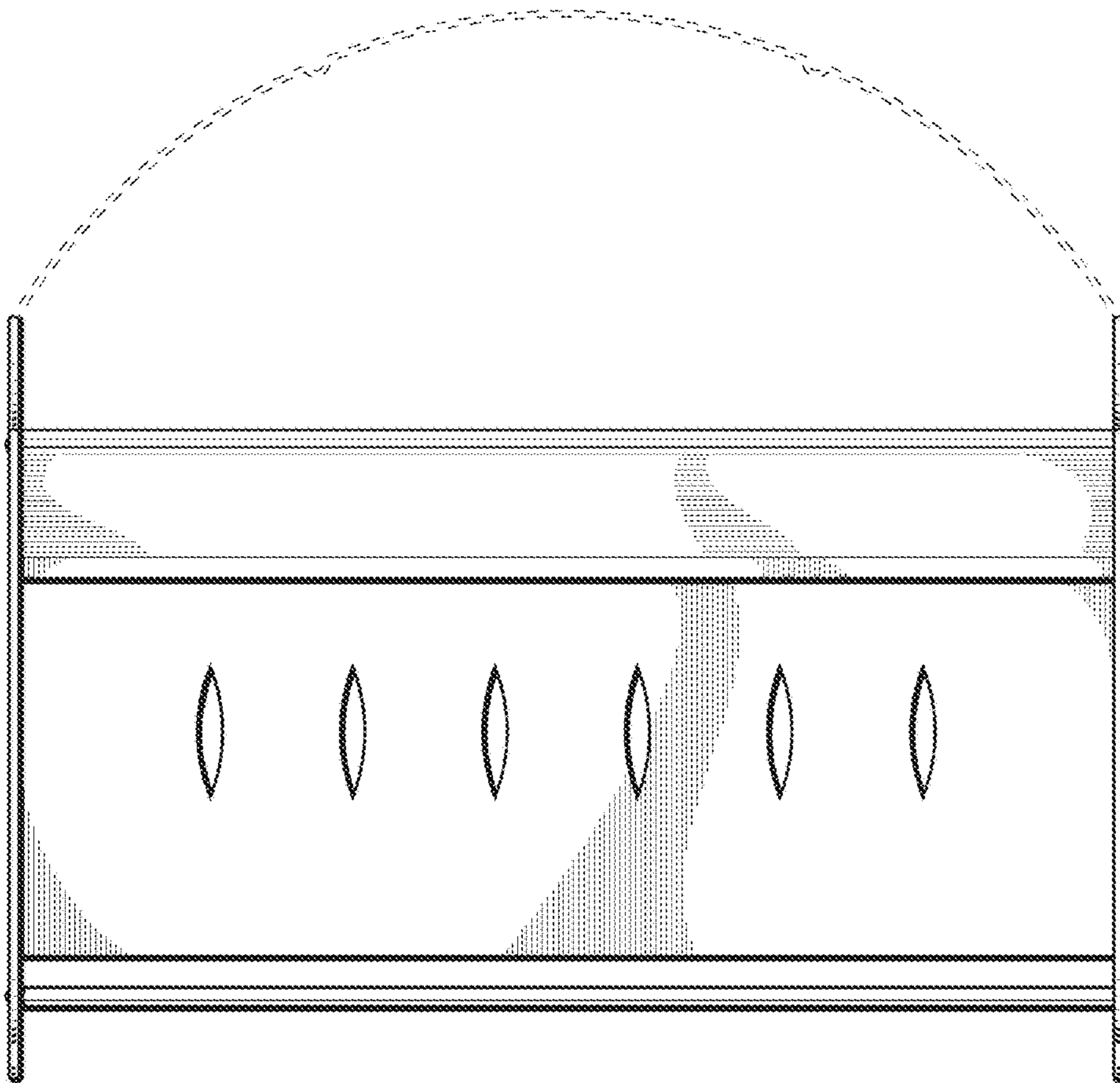


FIG. 2

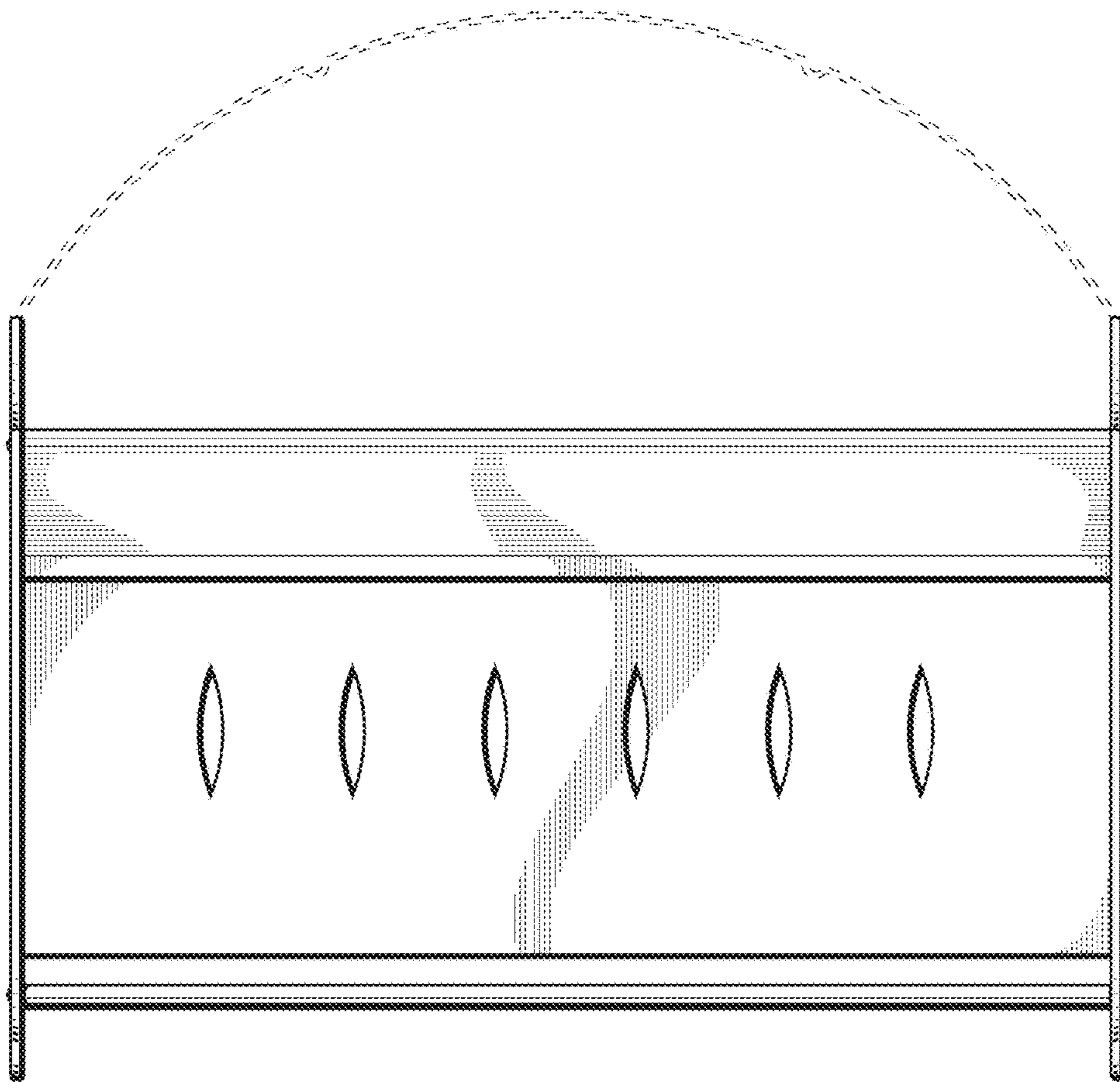
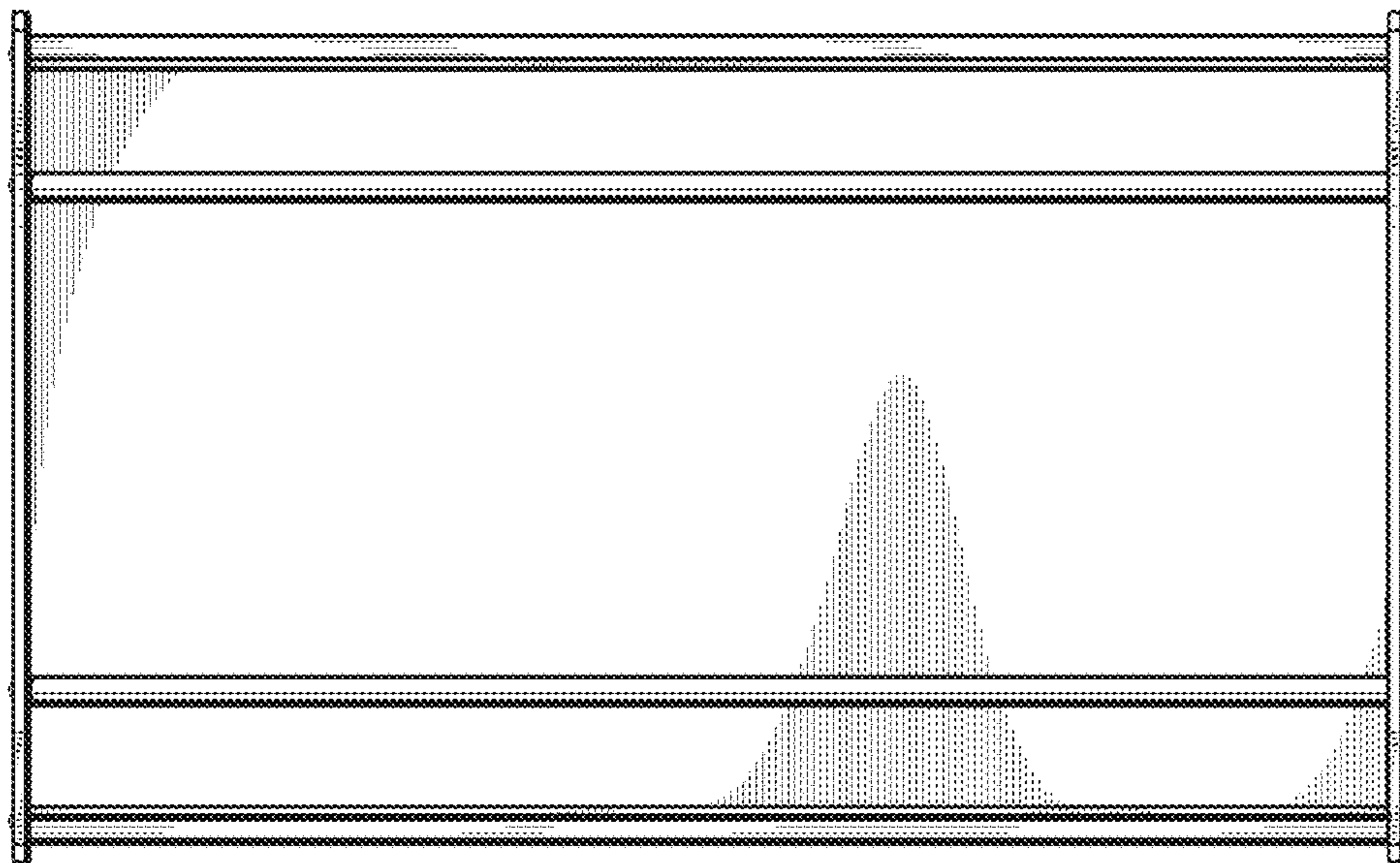


FIG. 3

FIG. 5



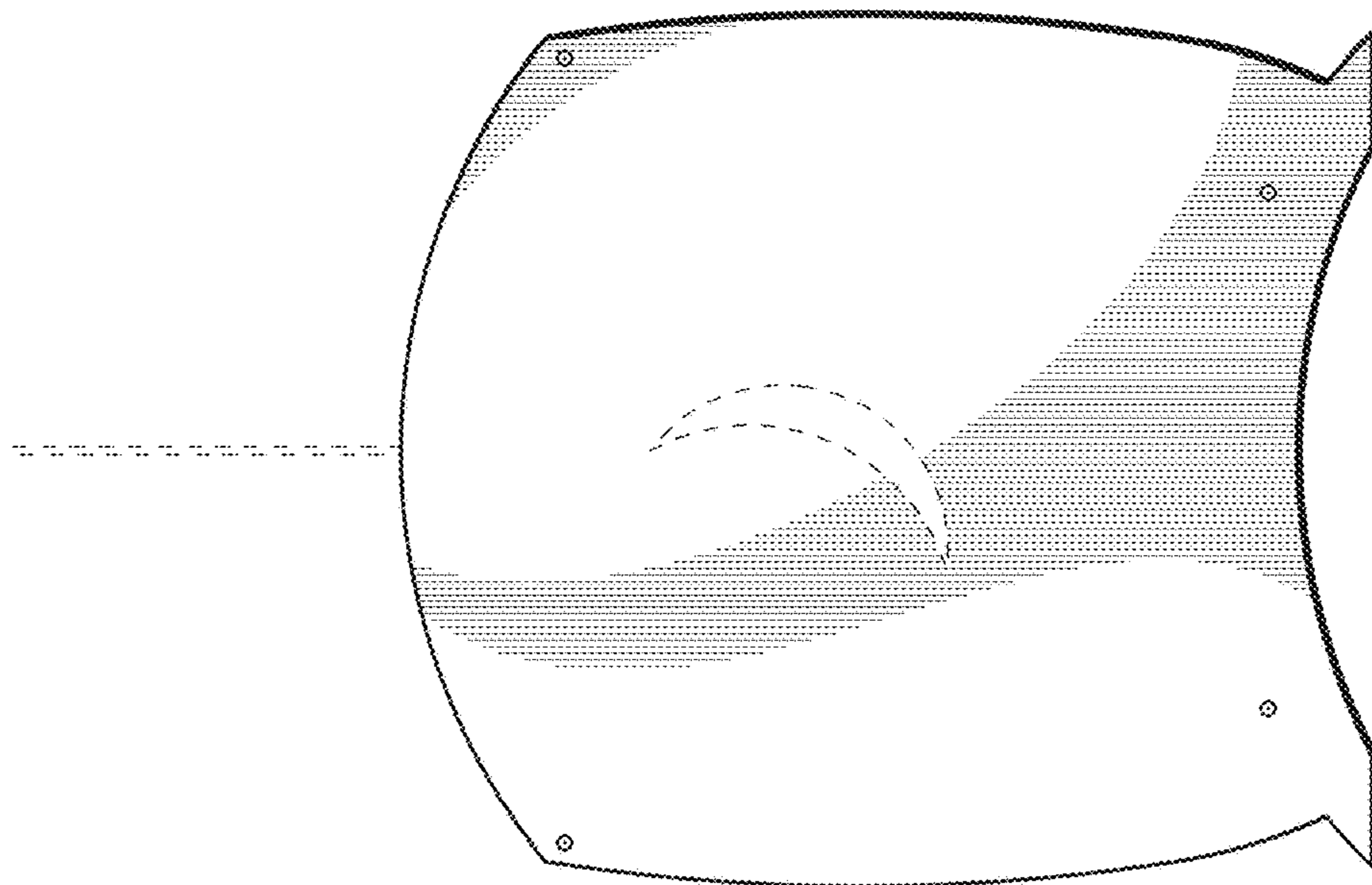


FIG. 6

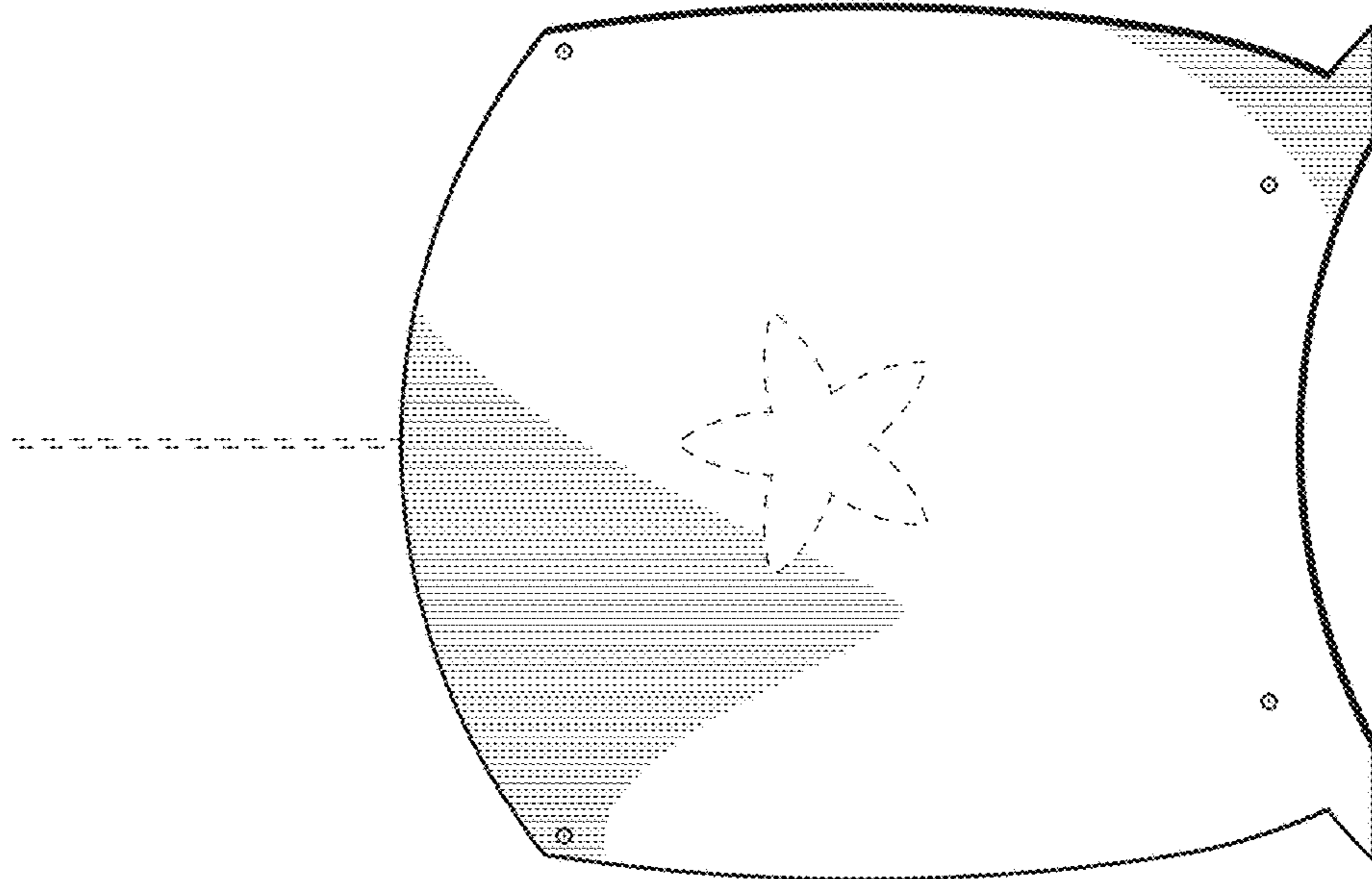


FIG. 7

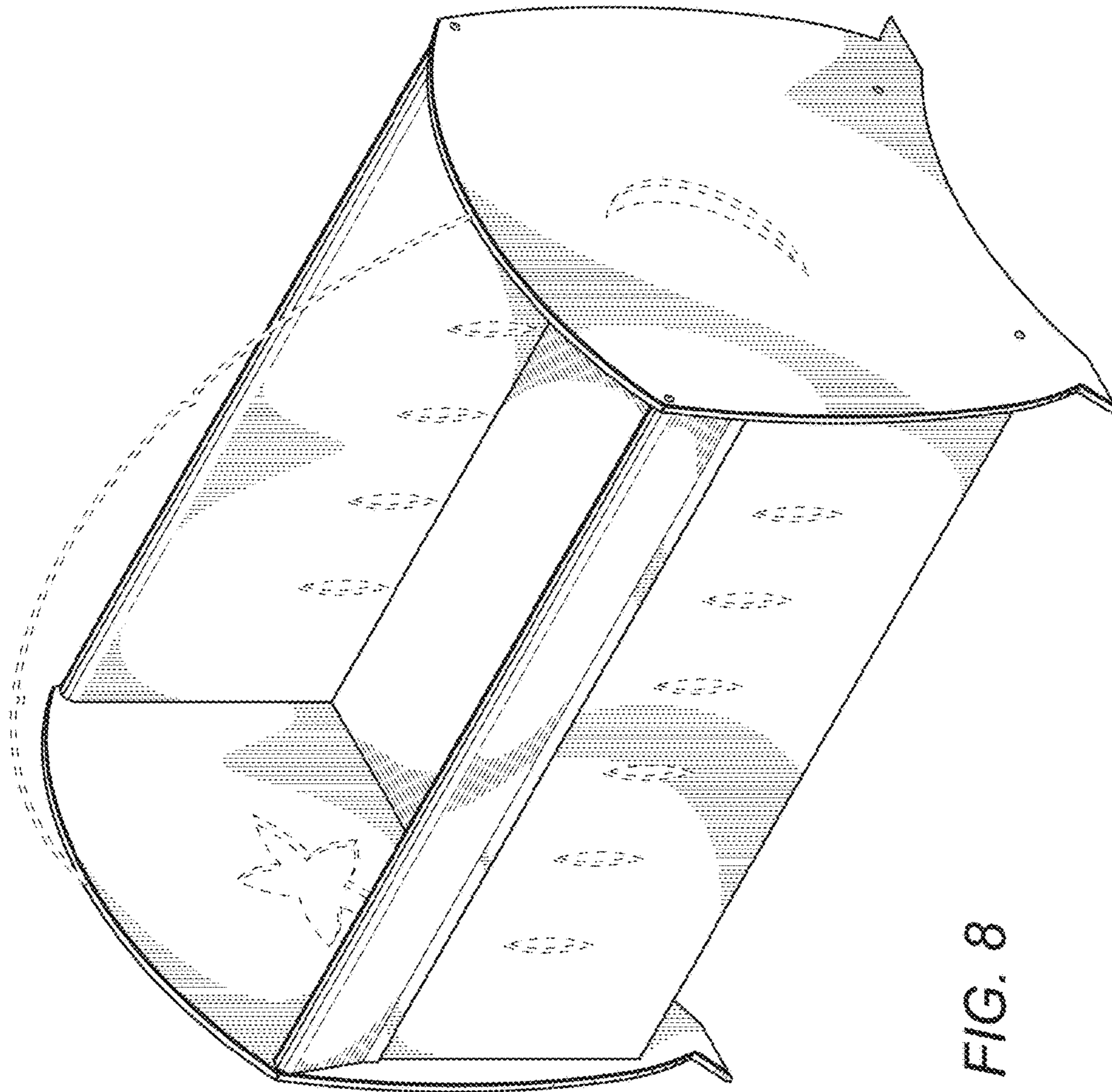


FIG. 8

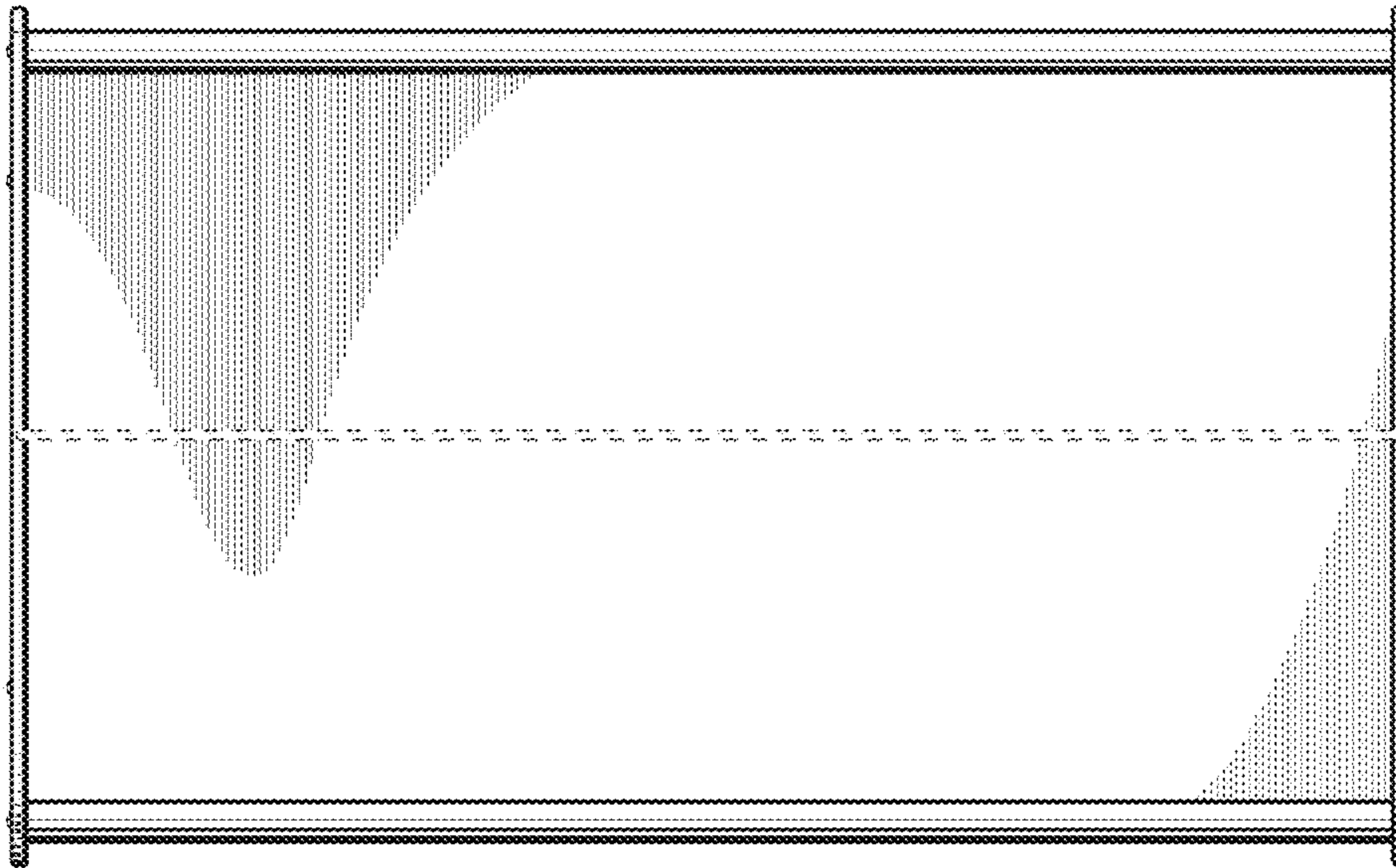


FIG. 11

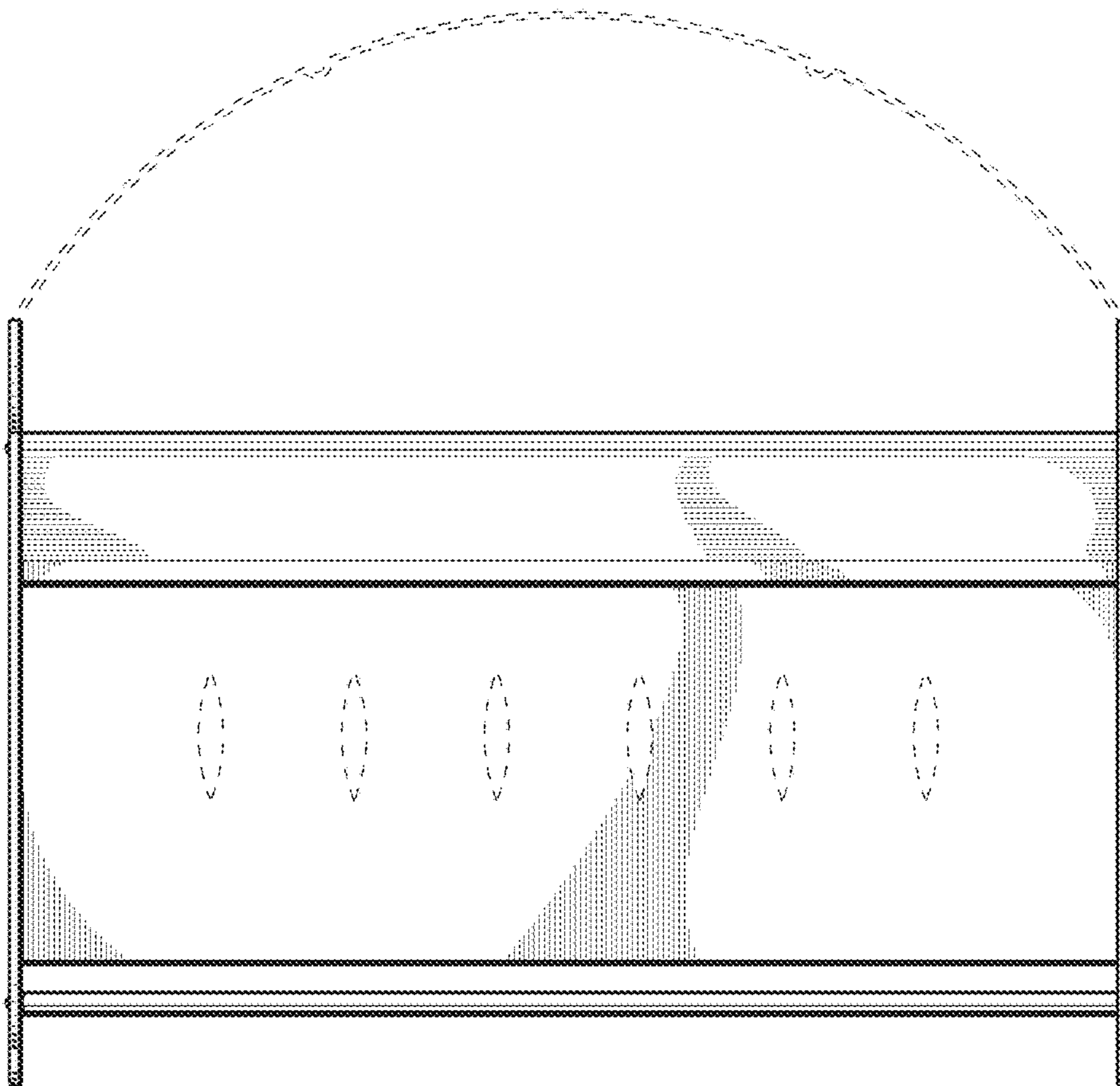


FIG. 9

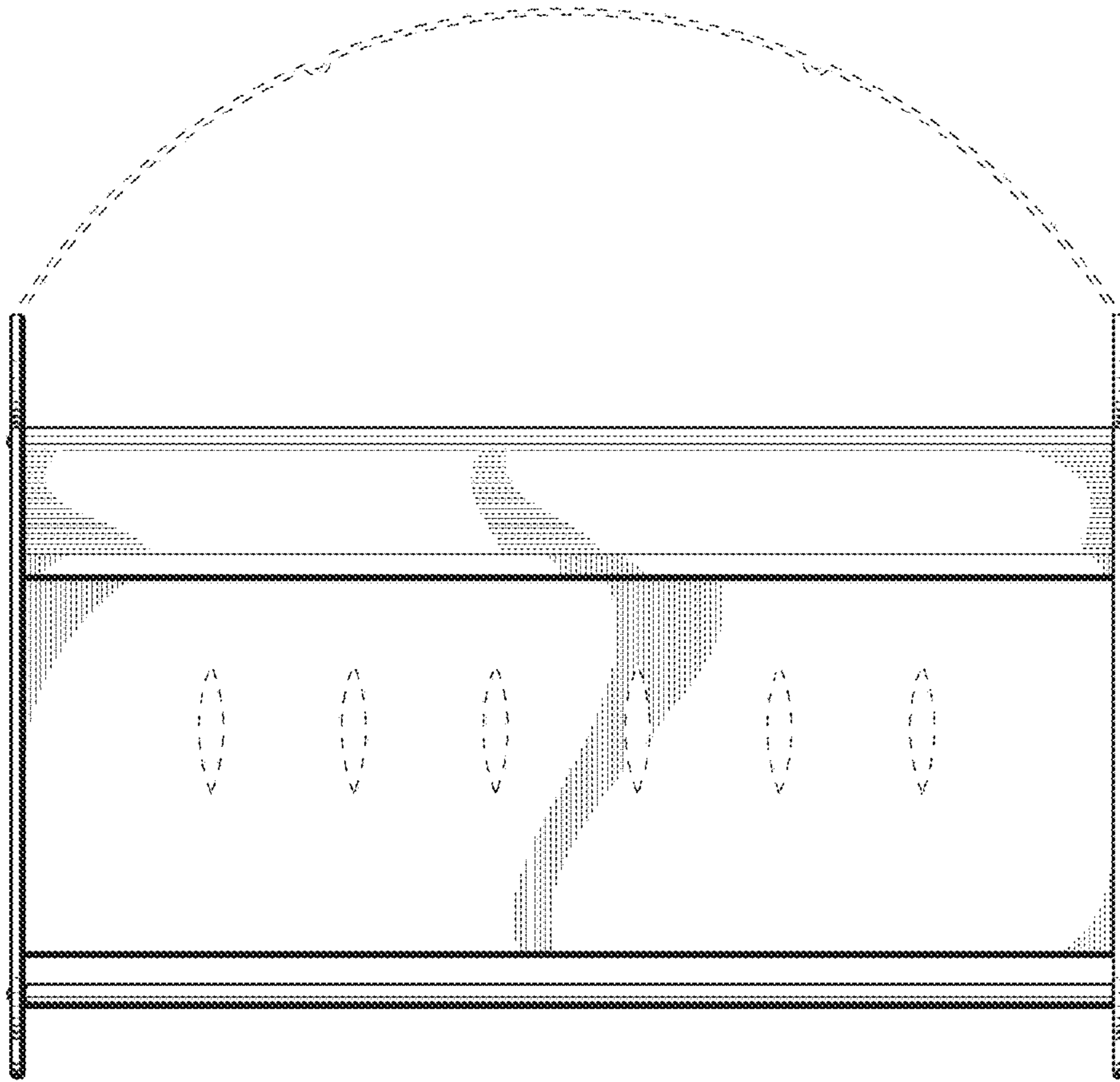
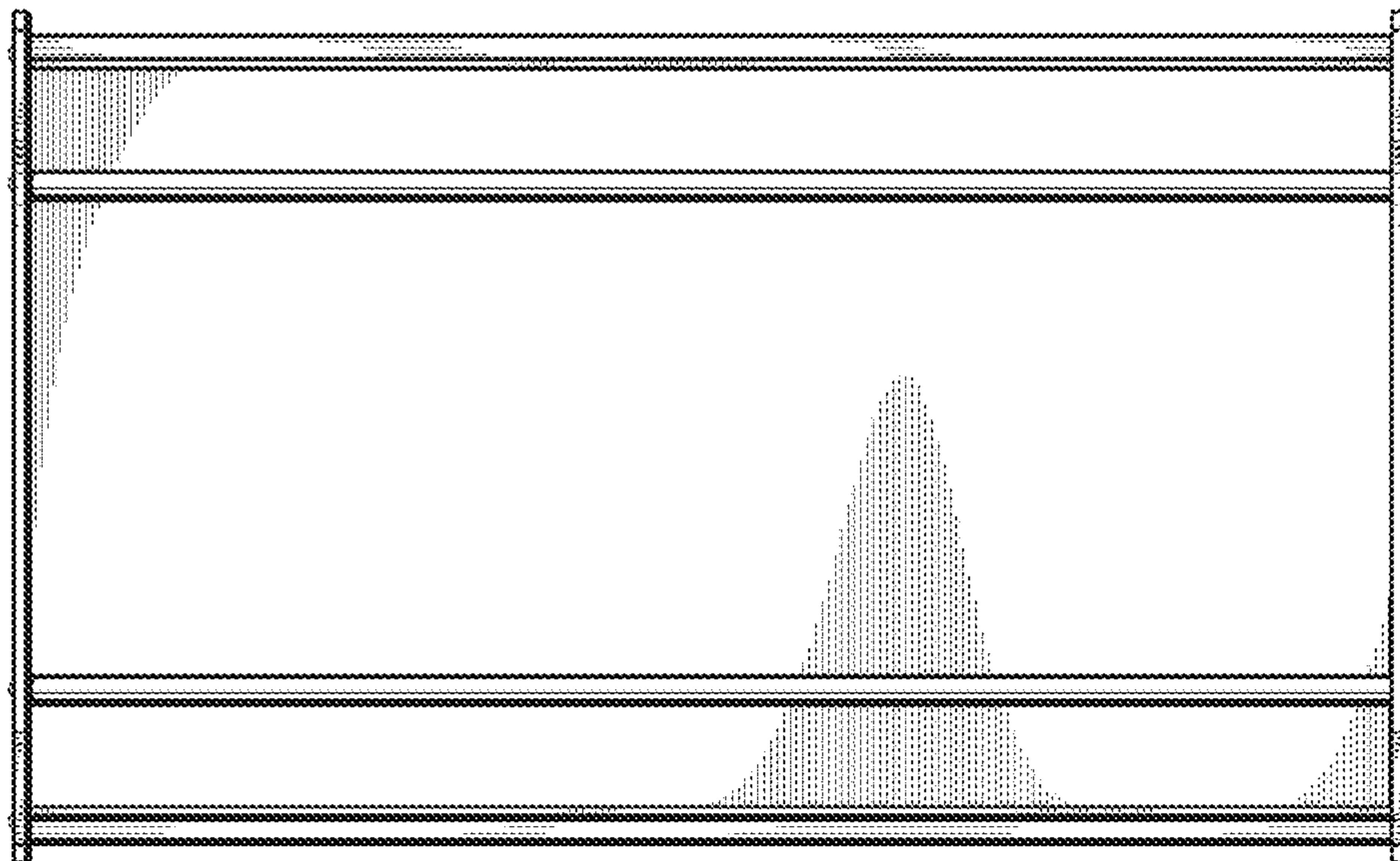


FIG. 10

FIG. 12



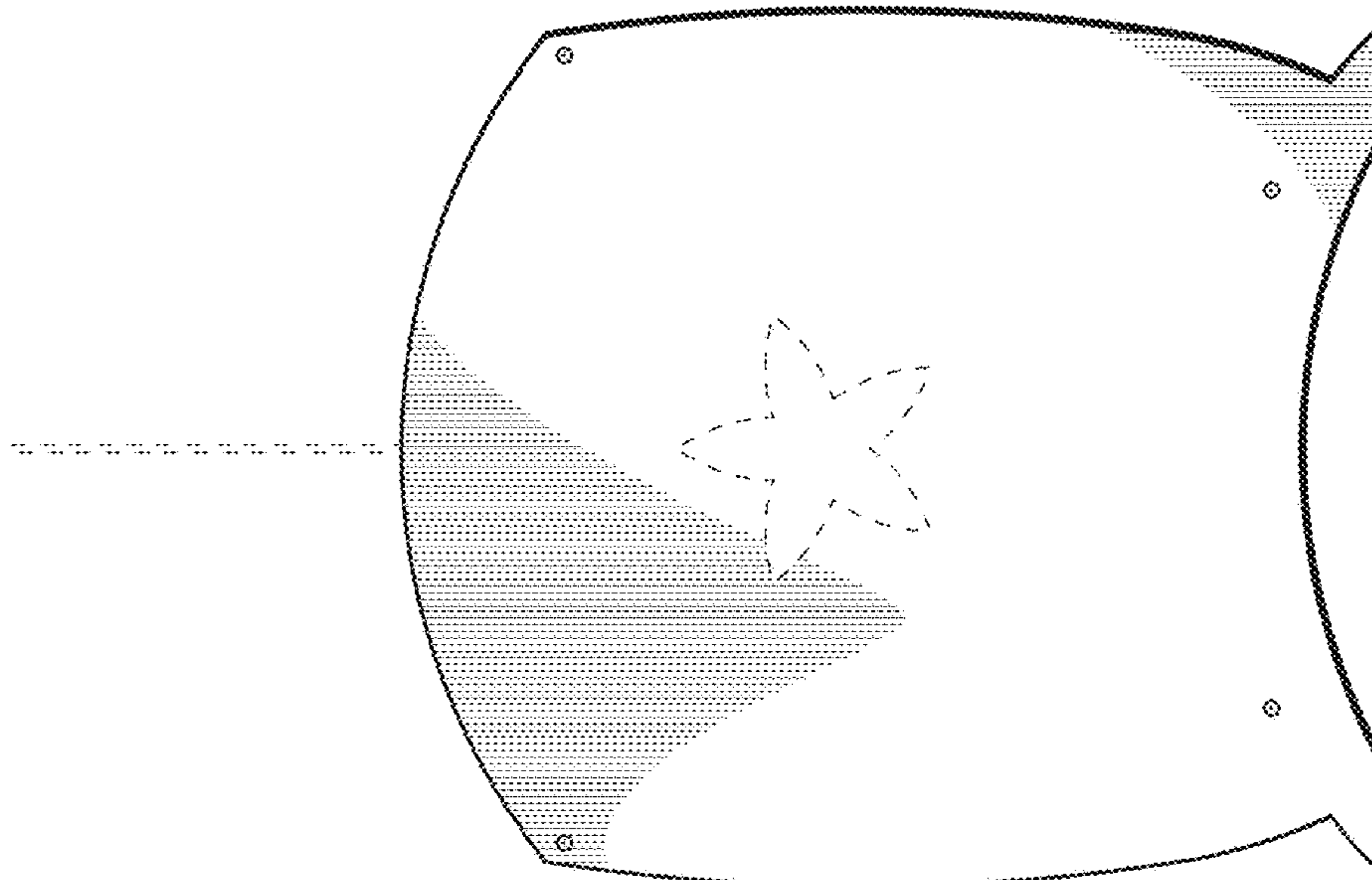


FIG. 14

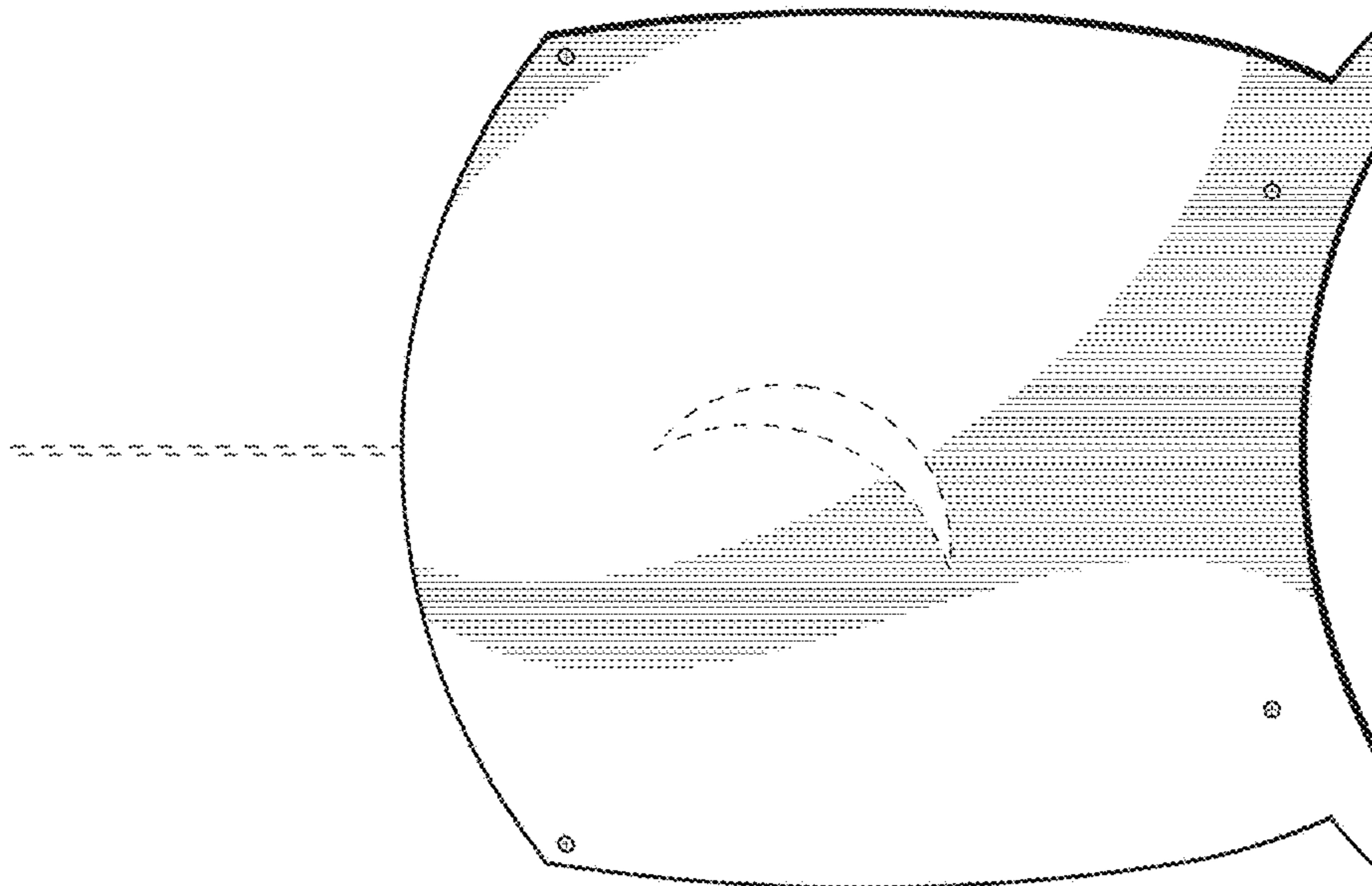


FIG. 13