



US00D816367S

(12) **United States Design Patent**  
**Stone**

(10) **Patent No.:** **US D816,367 S**

(45) **Date of Patent:** **\*\* May 1, 2018**

- (54) **BED**
- (71) Applicant: **Anthony Stone**, Bradenton, FL (US)
- (72) Inventor: **Anthony Stone**, Bradenton, FL (US)
- (\*\*) Term: **15 Years**
- (21) Appl. No.: **29/608,168**
- (22) Filed: **Jun. 20, 2017**
- (51) **LOC (11) Cl.** ..... **06-02**
- (52) **U.S. Cl.**  
USPC ..... **D6/384**; D6/718.14
- (58) **Field of Classification Search**  
USPC ..... D6/382–384, 389, 718.14  
CPC ..... A47C 19/021; A47C 19/04; A47C 19/045;  
A47C 19/22  
See application file for complete search history.

D583,586 S \* 12/2008 Gudenkauf ..... D6/384  
 7,874,026 B2 \* 1/2011 Gudenkauf ..... A47C 17/84  
 5/10.1  
 2014/0246064 A1 \* 9/2014 Swanson ..... A47C 29/003  
 135/121

\* cited by examiner

*Primary Examiner* — Cathron C Brooks

(74) *Attorney, Agent, or Firm* — Allen Dyer Doppelt & Gilchrist

(57) **CLAIM**

The ornamental design for a bed, as shown and described.

**DESCRIPTION**

FIG. 1 is a top, right, first end perspective view of the design; FIG. 2 is a bottom, left, second end perspective view of the design of FIG. 1;

FIG. 3 is a top view of the design of FIG. 1;

FIG. 4 is a bottom view of the design of FIG. 1;

FIG. 5 is a second end view of the design of FIG. 1;

FIG. 6 is a first end view of the design of FIG. 1; and,

FIG. 7 is a left side view of the design of FIG. 1, the right side view being a mirror image thereof.

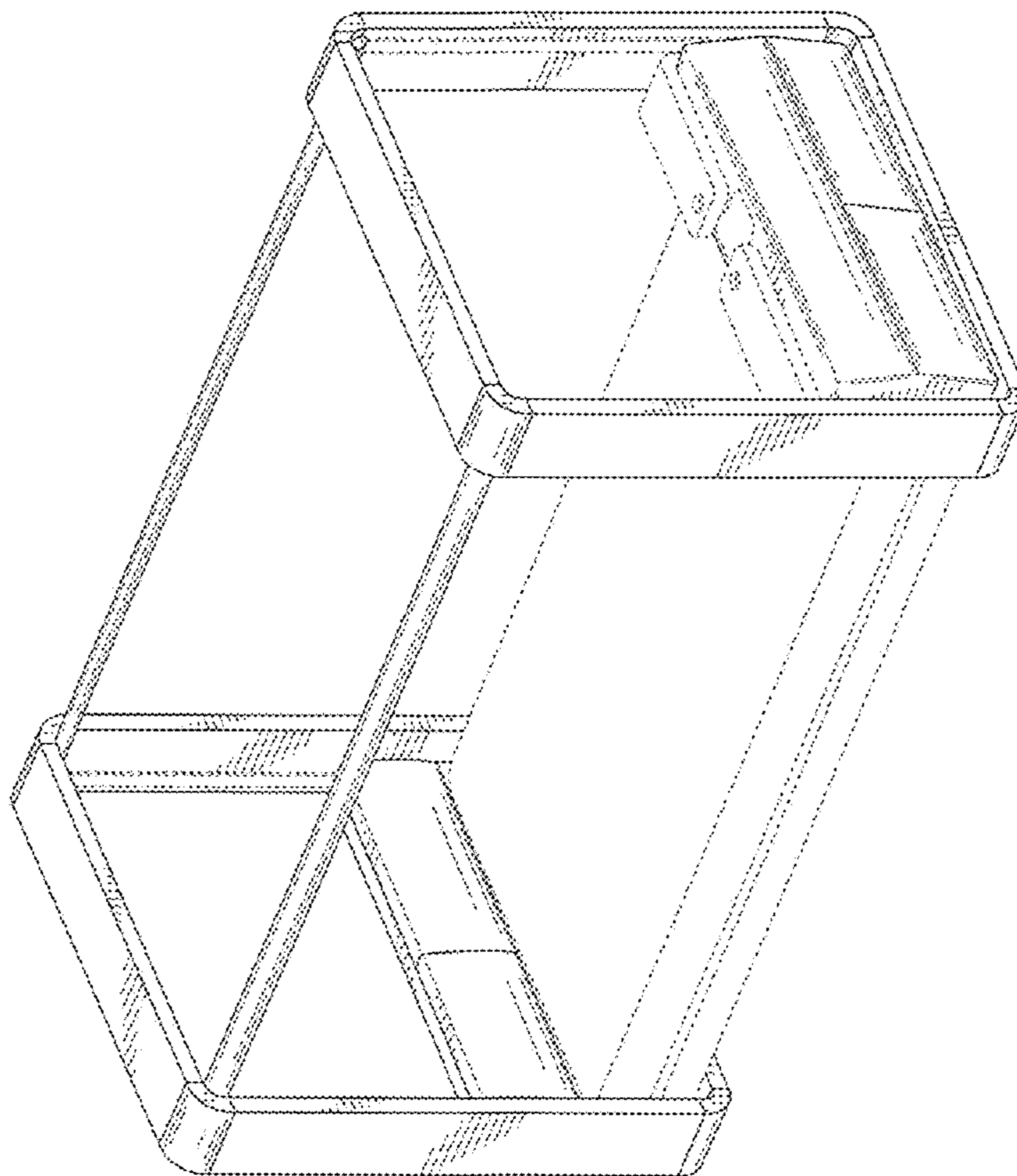
The broken line showing of environment in the drawings is included for the purpose of illustration only and forms no part of the claimed design.

(56) **References Cited**

U.S. PATENT DOCUMENTS

- D256,527 S \* 8/1980 Guetat ..... D6/384
- 5,020,169 A \* 6/1991 Hamada ..... A47C 17/84  
5/10.2
- 5,377,787 A \* 1/1995 Chabrier ..... A47C 17/84  
187/206
- D375,218 S \* 11/1996 Sharp ..... D6/312

**1 Claim, 7 Drawing Sheets**



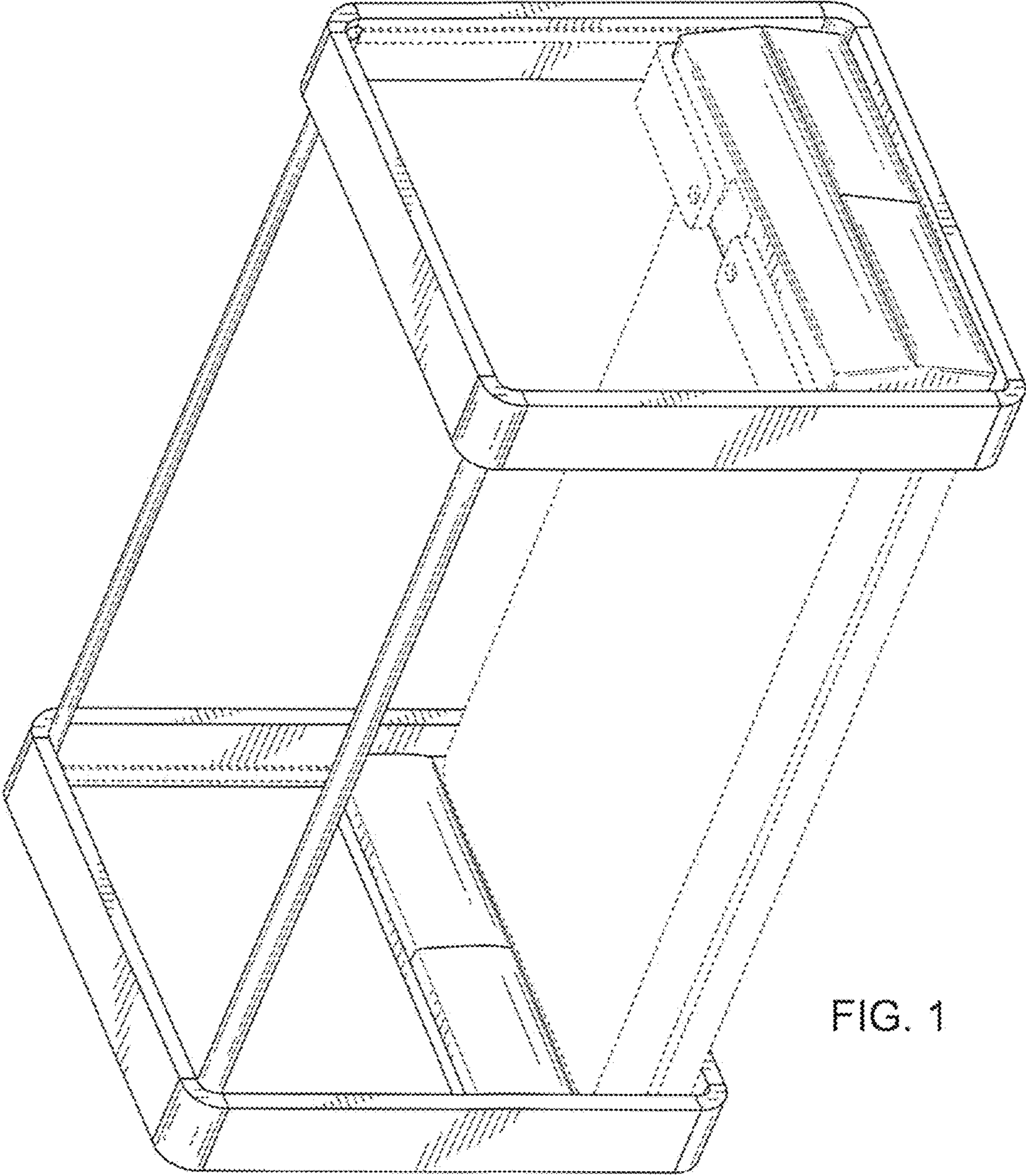


FIG. 1

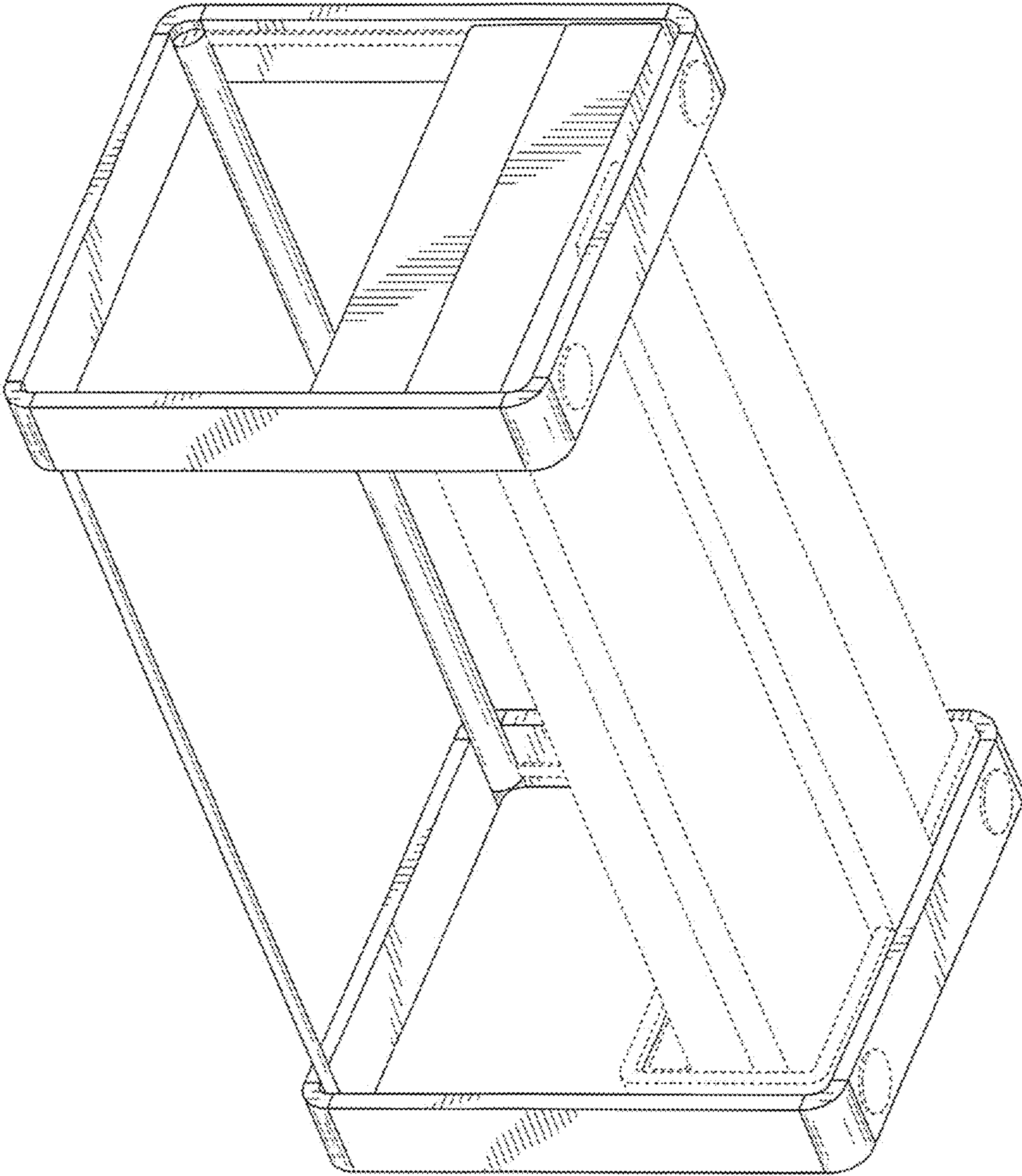


FIG. 2

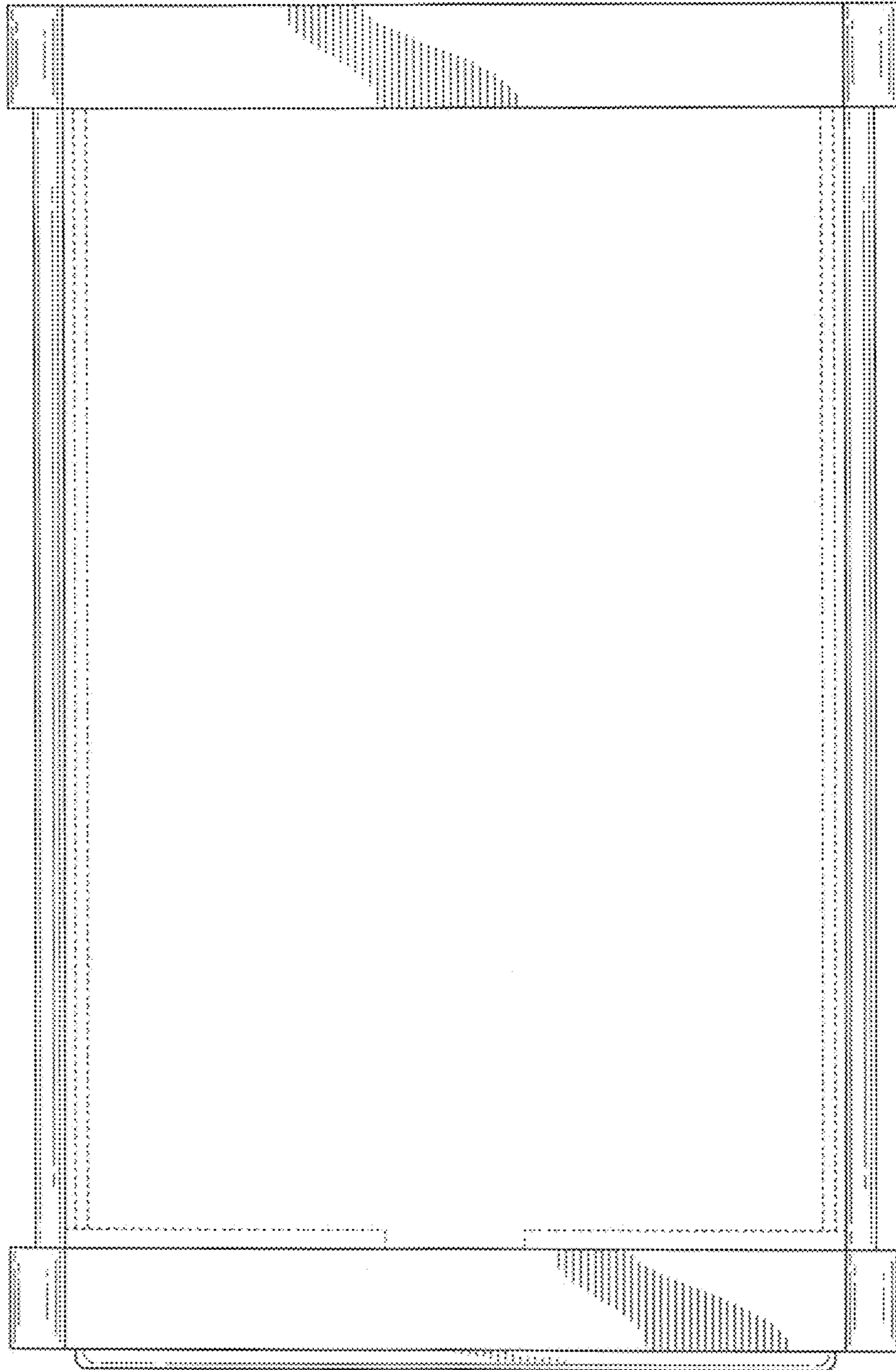


FIG. 3

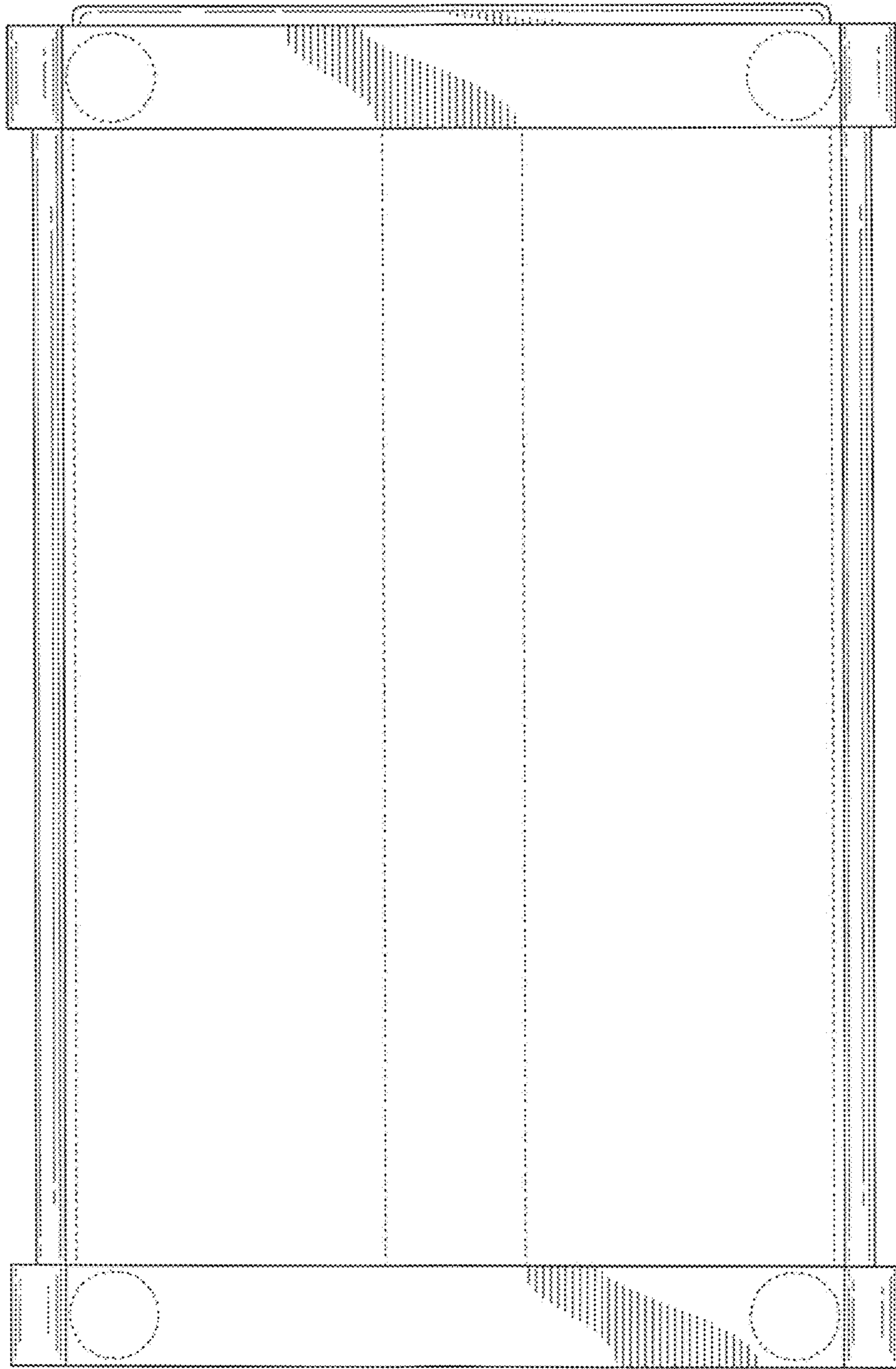


FIG. 4

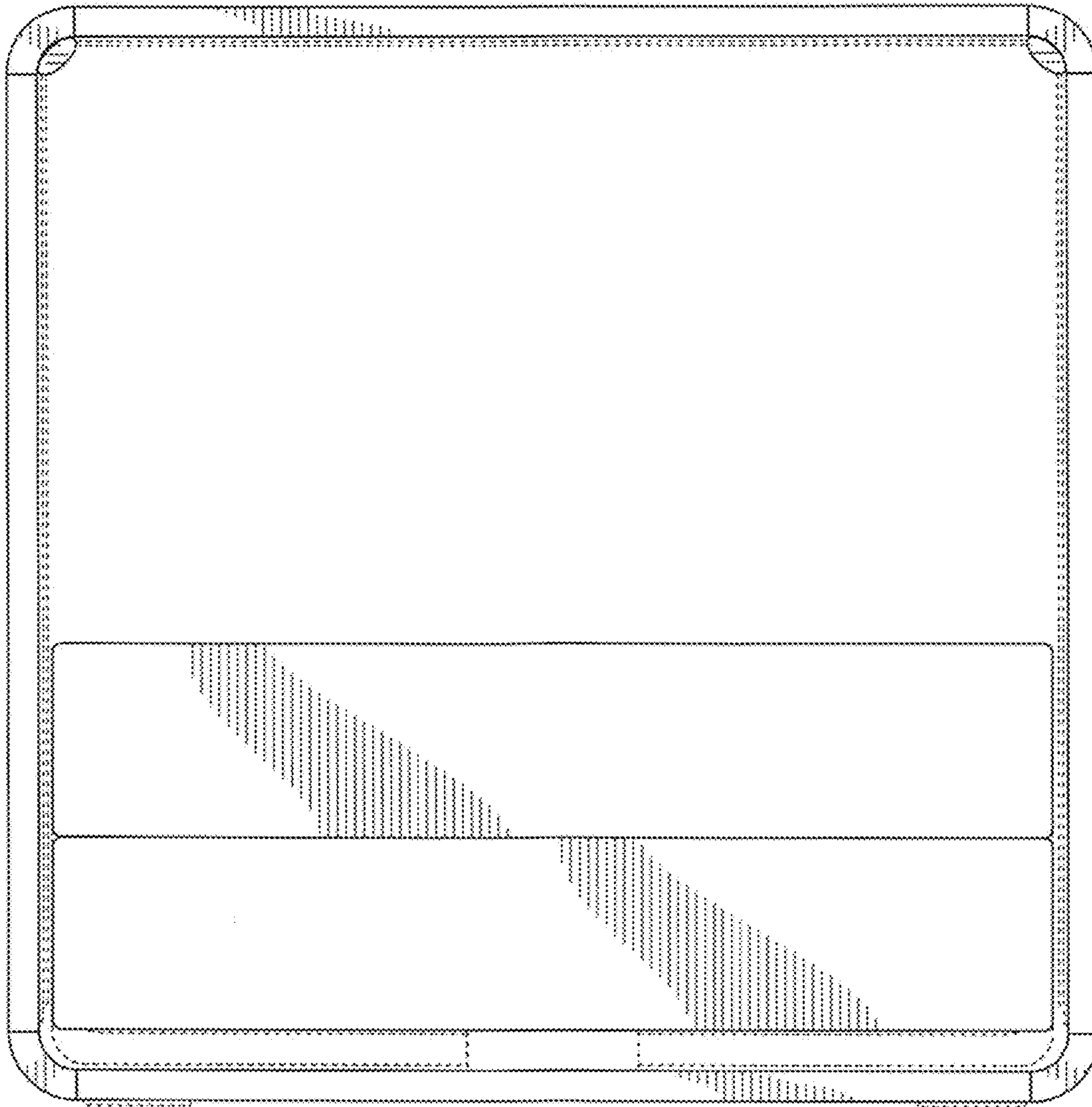


FIG. 5

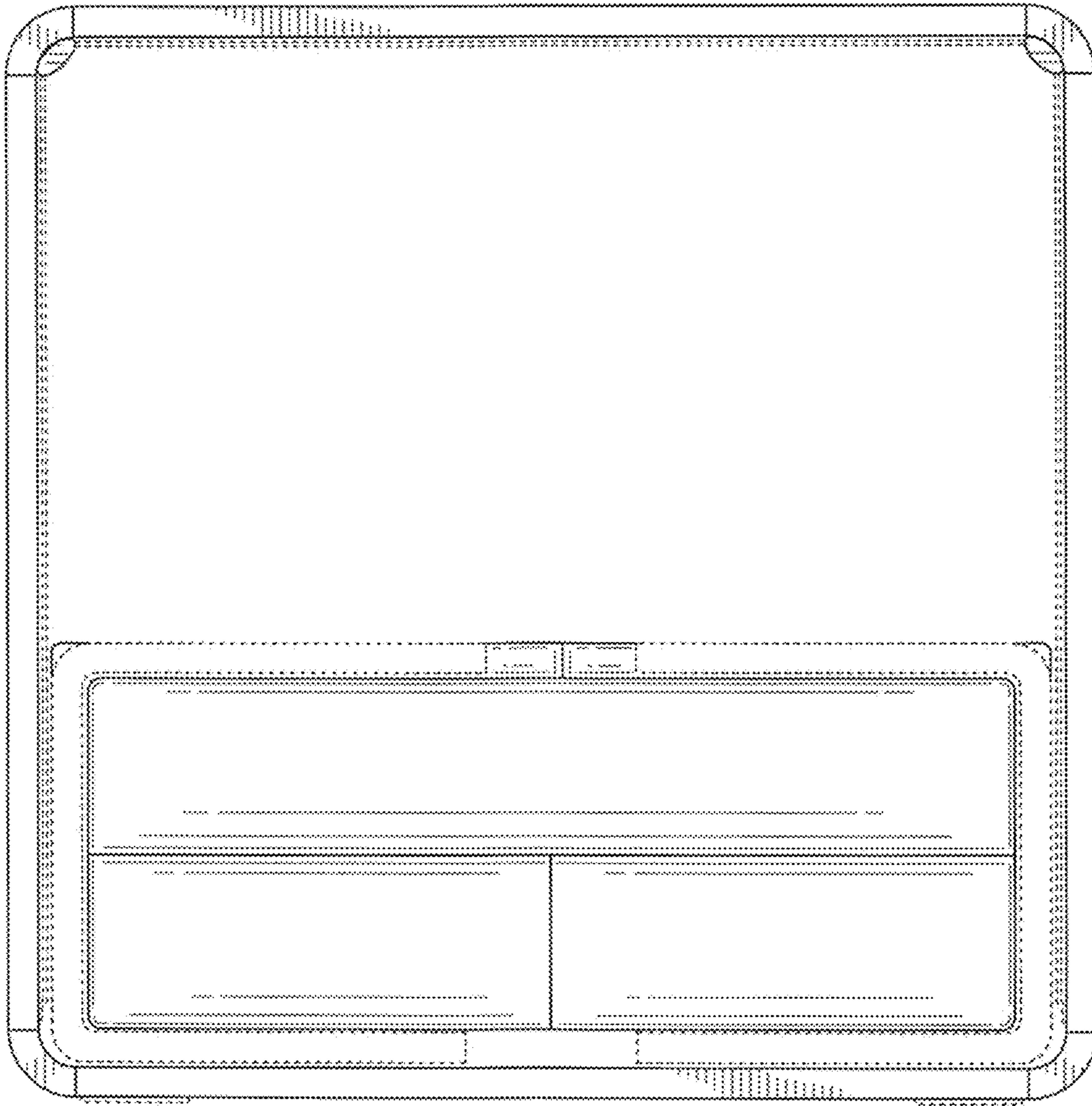


FIG. 6

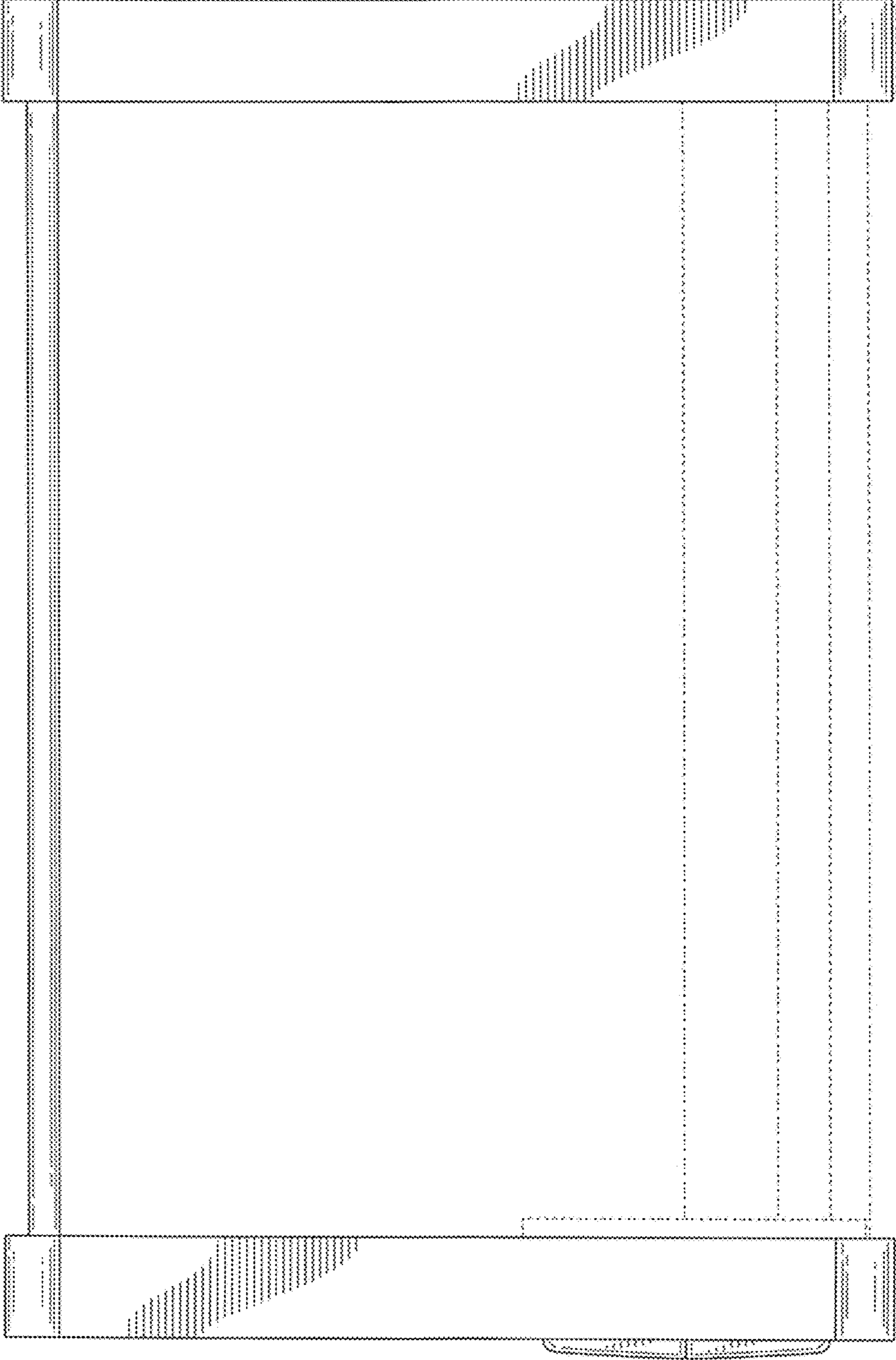


FIG. 7