



US00D816366S

(12) **United States Design Patent**
King et al.

(10) **Patent No.:** **US D816,366 S**

(45) **Date of Patent:** **** May 1, 2018**

(54) **ARTICLE OF FURNITURE**

(71) Applicant: **King Furniture Australia Pty Ltd.**,
Turrella, New South Wales (AU)

(72) Inventors: **David King**, Turrella (AU); **Ryan Lawson**, Turrella (AU); **Tanya Rechberger**, Turrella (AU); **Anuj Dhawan**, Turrella (AU)

(73) Assignee: **King Furniture Australia Pty Ltd.**,
Turrella (AU)

(**) Term: **15 Years**

(21) Appl. No.: **29/553,406**

(22) Filed: **Feb. 1, 2016**

(30) **Foreign Application Priority Data**

Jul. 30, 2015	(AU)	201513847
Jul. 31, 2015	(AU)	201513871
Jul. 31, 2015	(AU)	201513875
Jul. 31, 2015	(AU)	201513876
Jul. 31, 2015	(AU)	201513894
Jul. 31, 2015	(AU)	201513900

(51) **LOC (11) Cl.** **06-01**

(52) **U.S. Cl.**
USPC **D6/381**

(58) **Field of Classification Search**
USPC D6/334, 335, 336, 360, 361, 367, 368,
D6/371-375, 379-381, 716, 716.1-716.8
CPC A47C 17/00; A47C 17/02; A47C 17/04;
A47C 17/045; A47C 17/12; A47C 17/175
See application file for complete search history.

(56) **References Cited**

U.S. PATENT DOCUMENTS

D94,831	S	*	3/1935	Granovsky	D6/381
D422,156	S	*	4/2000	Black	D6/334
D424,316	S	*	5/2000	Natuzzi	D6/334
D484,327	S	*	12/2003	Ricci	D6/334
D484,713	S	*	1/2004	Gomez	D6/381
D499,263	S	*	12/2004	Ricci	D6/334
D551,463	S	*	9/2007	Natuzzi	D6/381
D590,165	S	*	4/2009	Natuzzi	D6/381
D590,166	S	*	4/2009	Natuzzi	D6/381
D590,171	S	*	4/2009	Natuzzi	D6/381
D662,337	S	*	6/2012	Arko	D6/717
D666,847	S	*	9/2012	Metcalf	D6/717
2013/0341992	A1	*	12/2013	King	A47C 13/005 297/452.18

* cited by examiner

Primary Examiner — Deanna L Pratt

(74) *Attorney, Agent, or Firm* — Banner & Witcoff, Ltd.

(57) **CLAIM**

The ornamental design for an article of furniture, as shown and described.

DESCRIPTION

FIG. 1 is a top view of a of an article of furniture showing our new design;

FIG. 2 is a perspective view from the front thereof;

FIG. 3 is a left side view thereof;

FIG. 4 is a front view thereof;

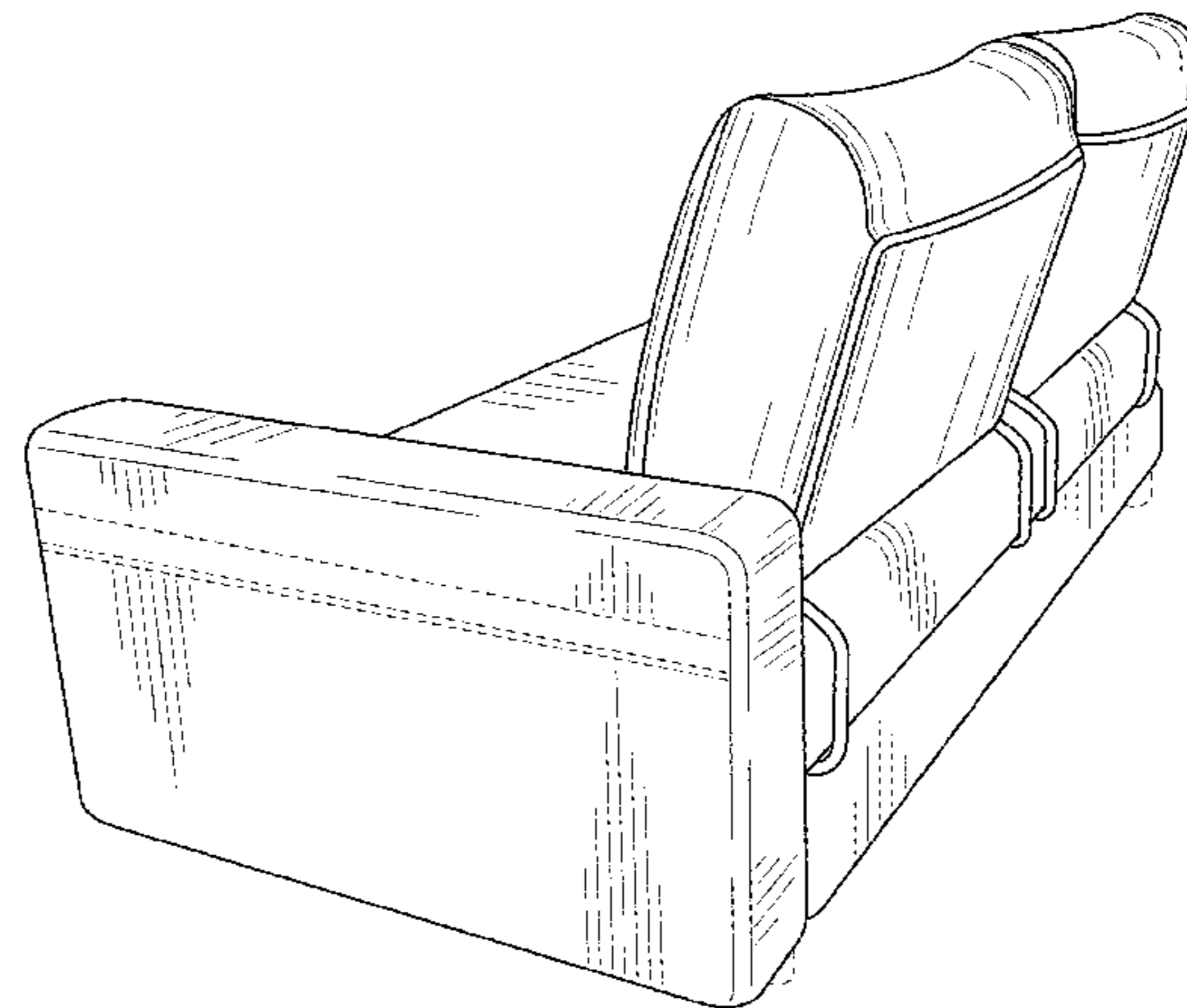
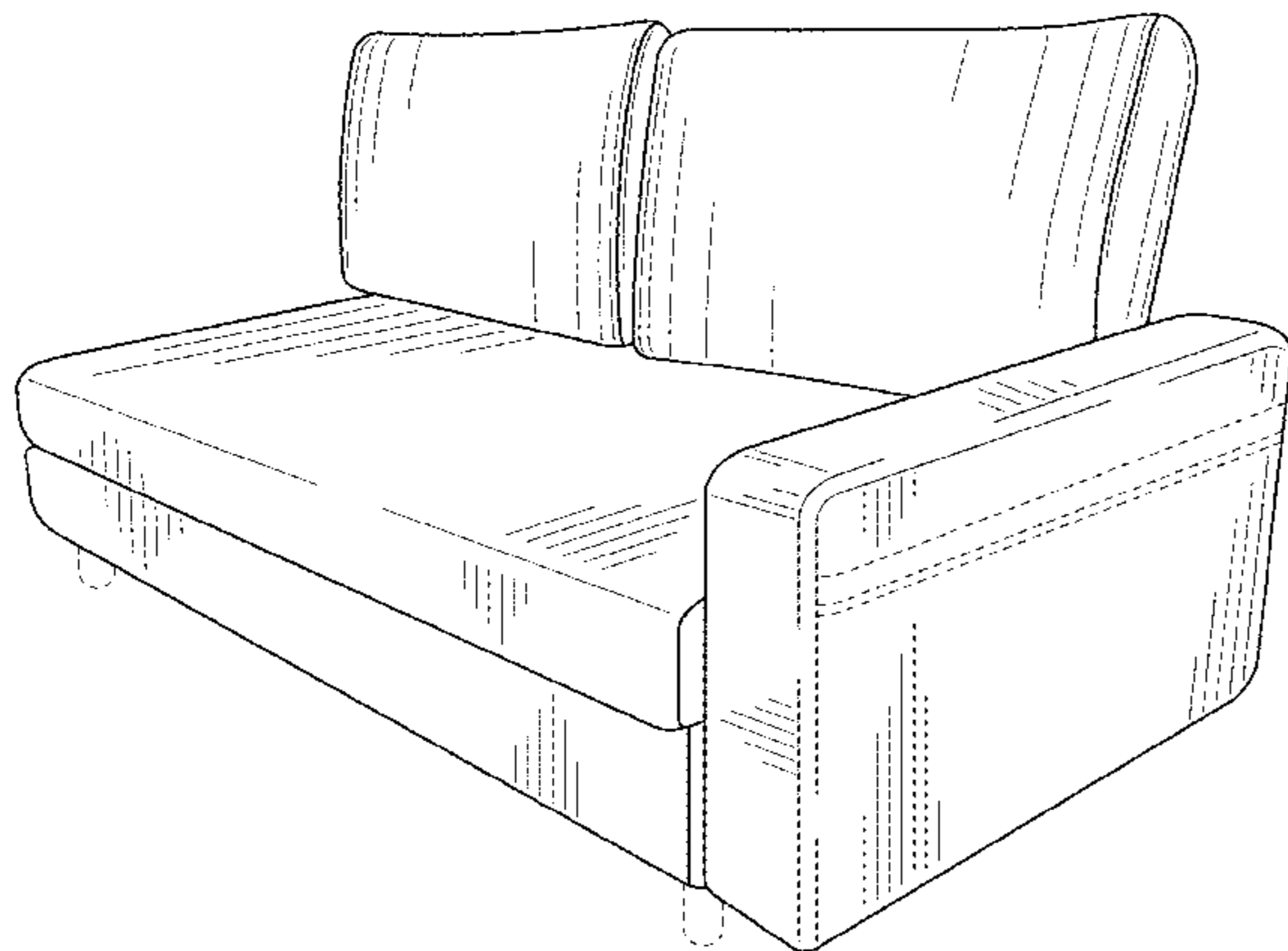
FIG. 5 is a right side view thereof;

FIG. 6 is a rear view thereof; and,

FIG. 7 is a perspective view from the rear thereof.

The broken lines in the drawings illustrate portions of the article of furniture that form no part of the claimed design.

1 Claim, 7 Drawing Sheets



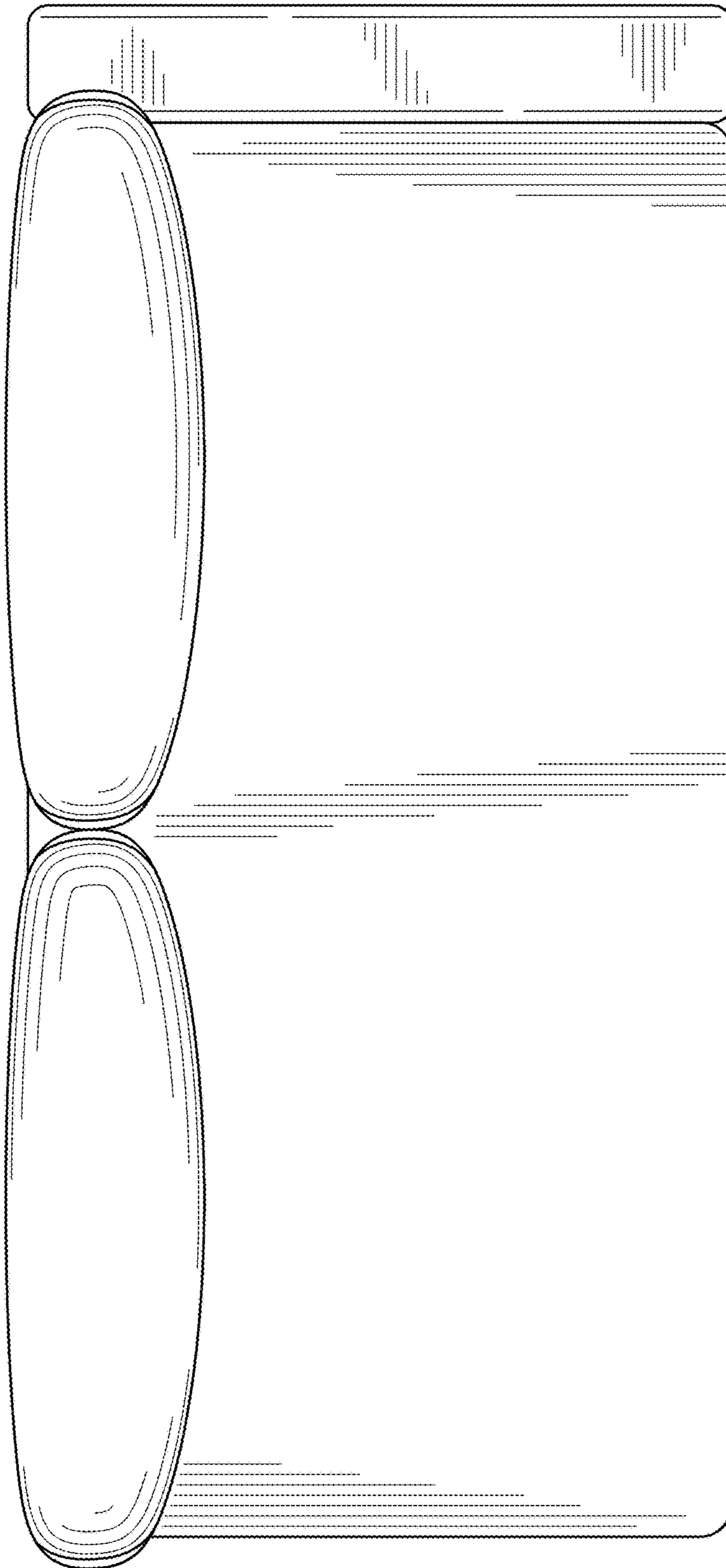


FIG. 1

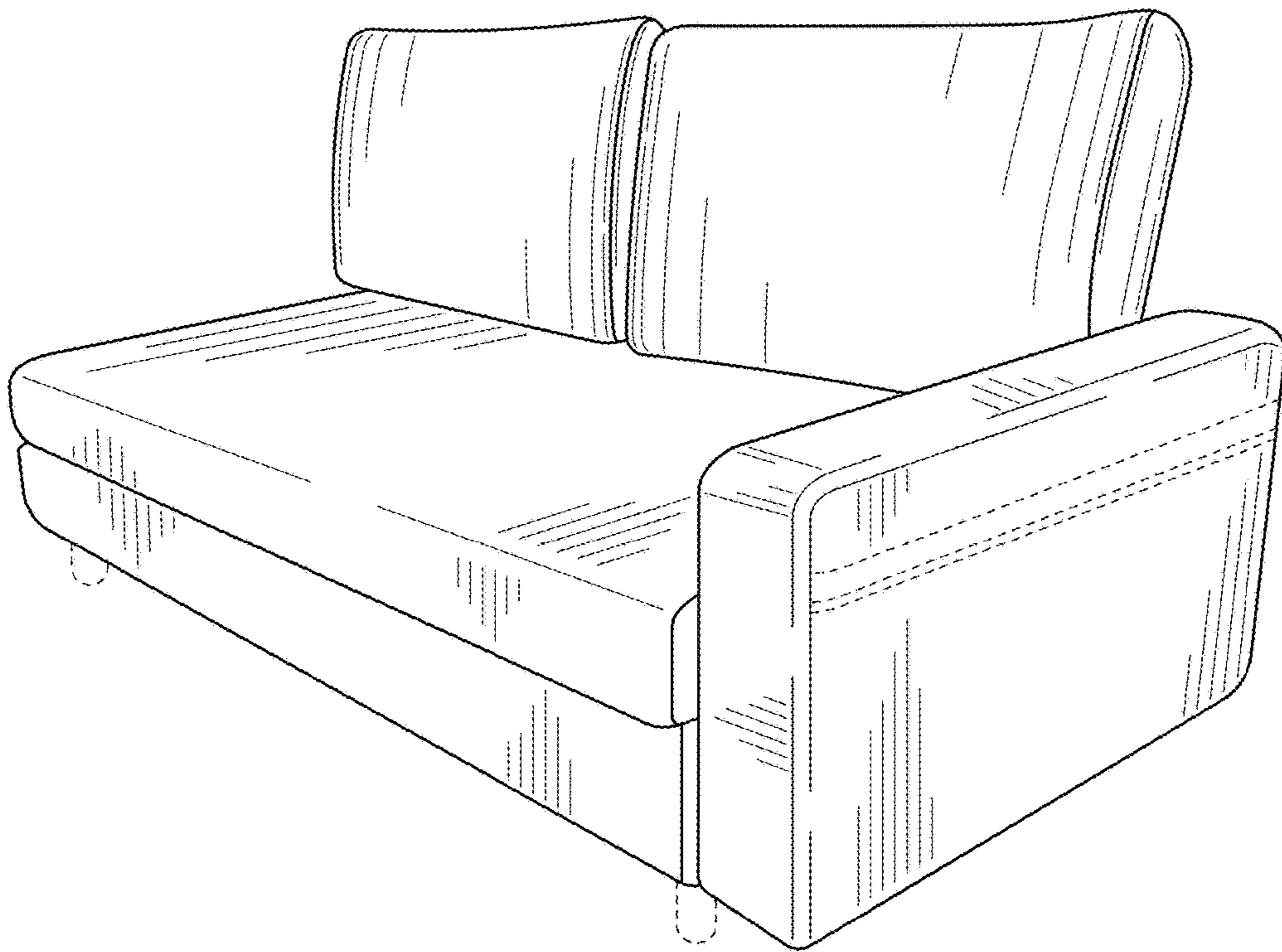


FIG. 2

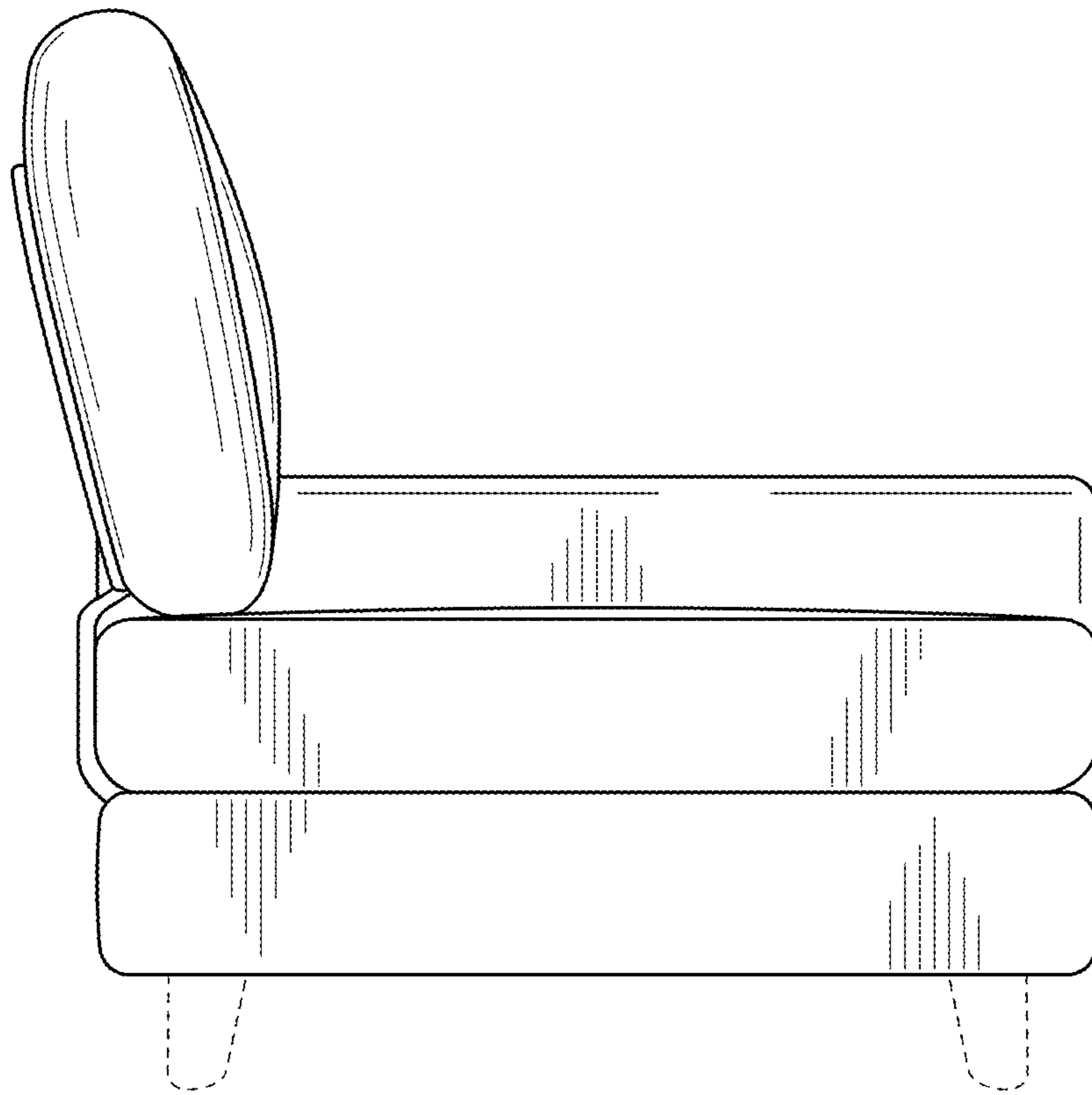


FIG. 3

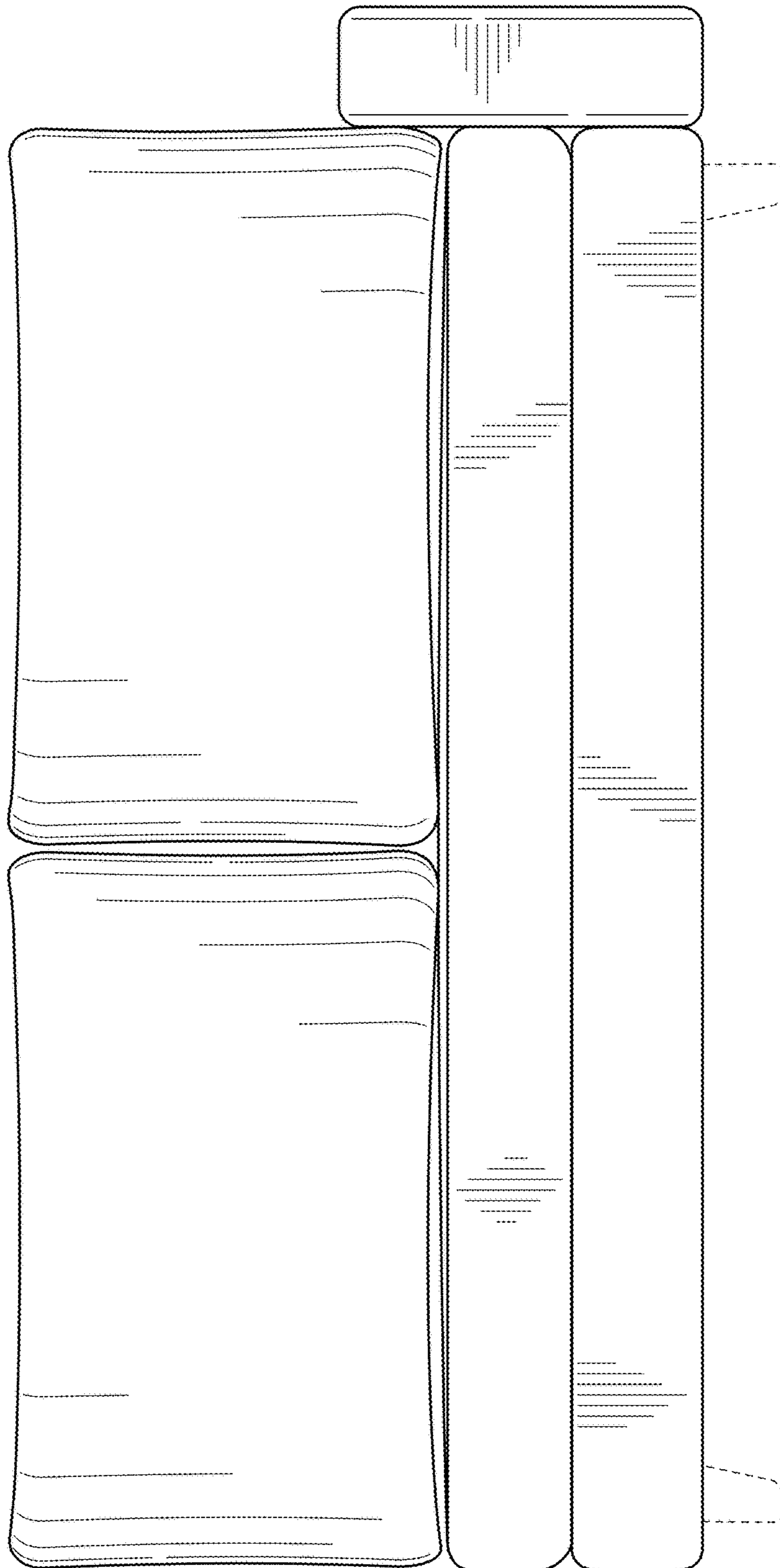


FIG. 4

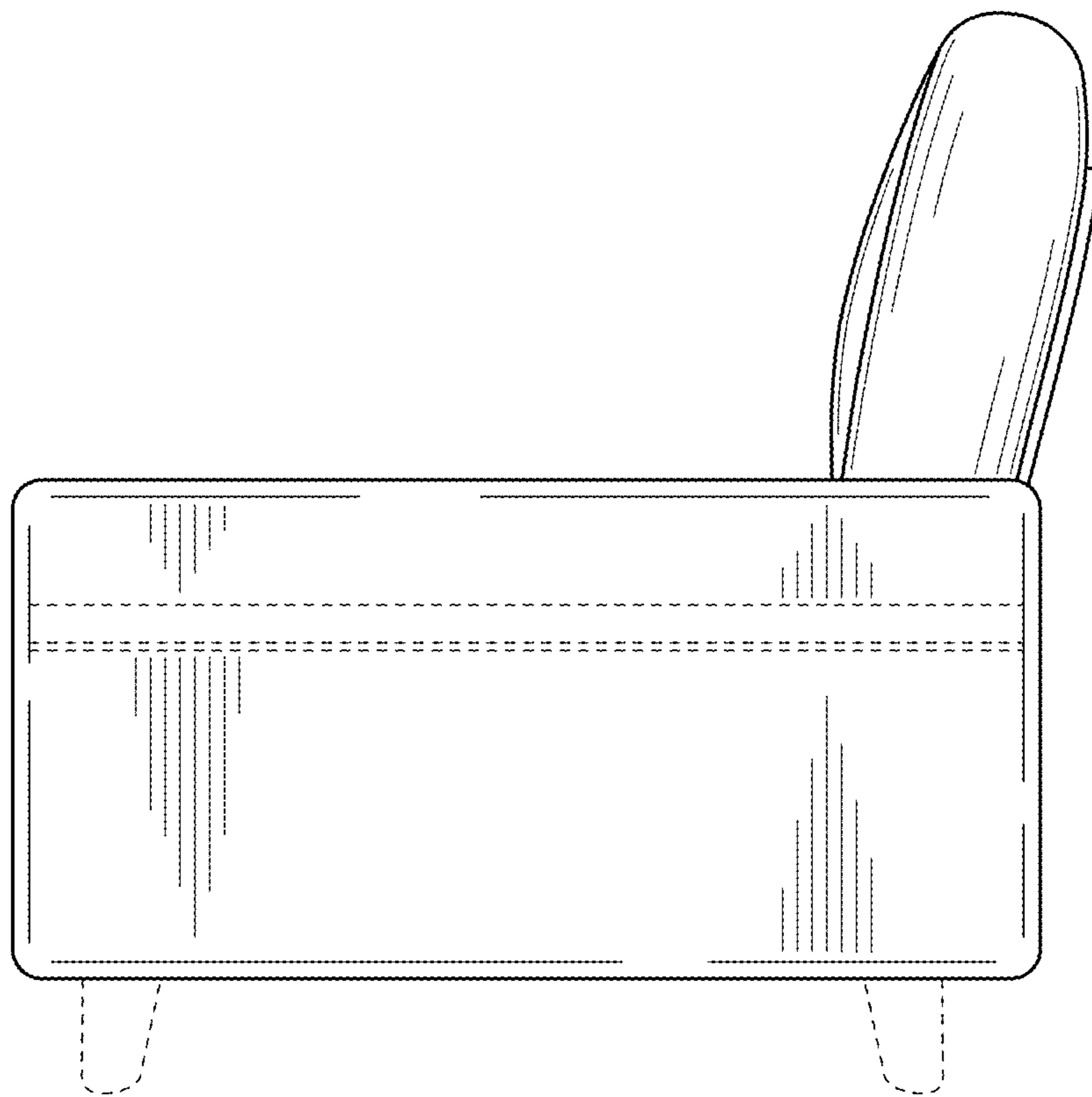


FIG. 5

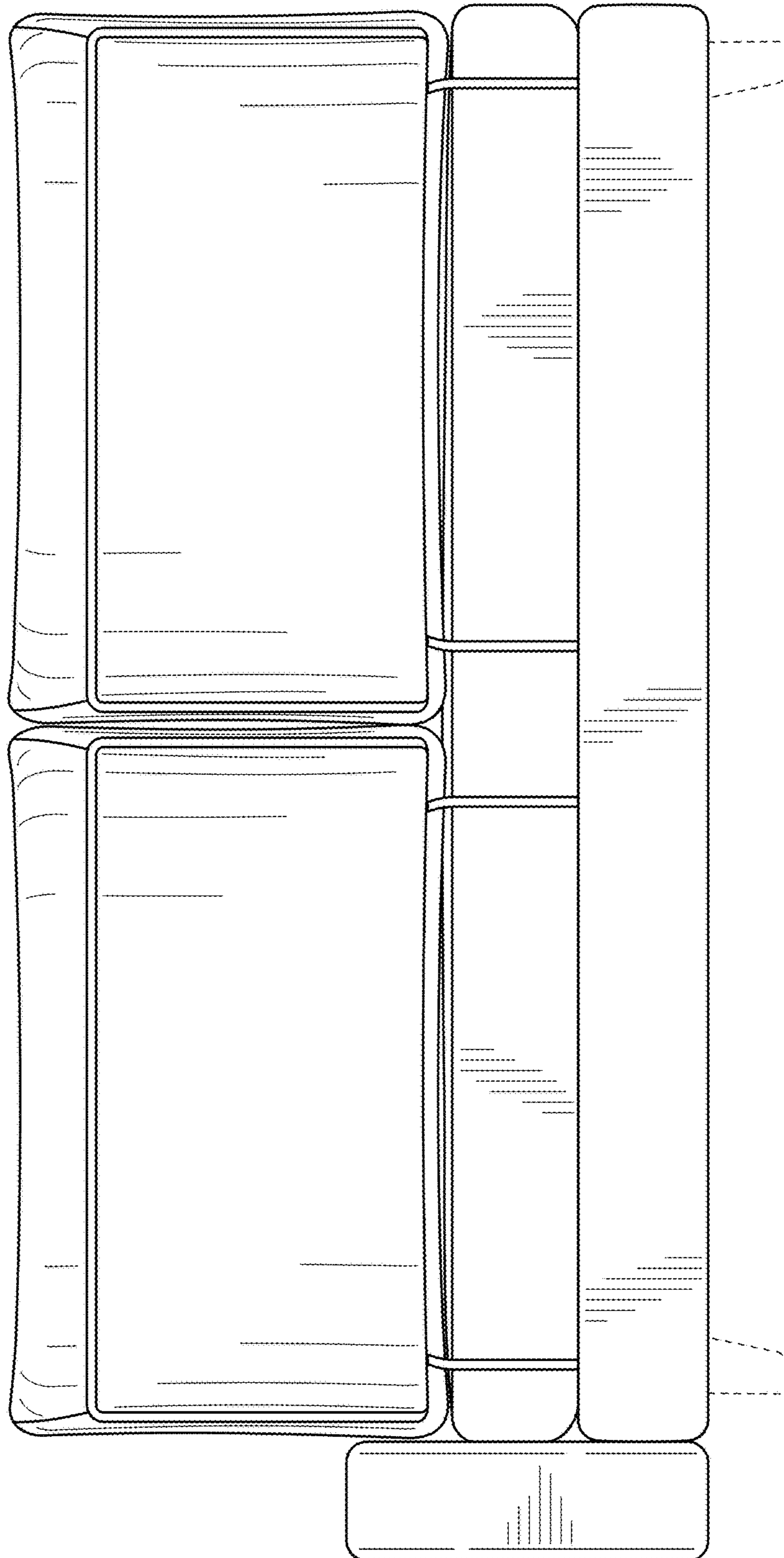


FIG. 6

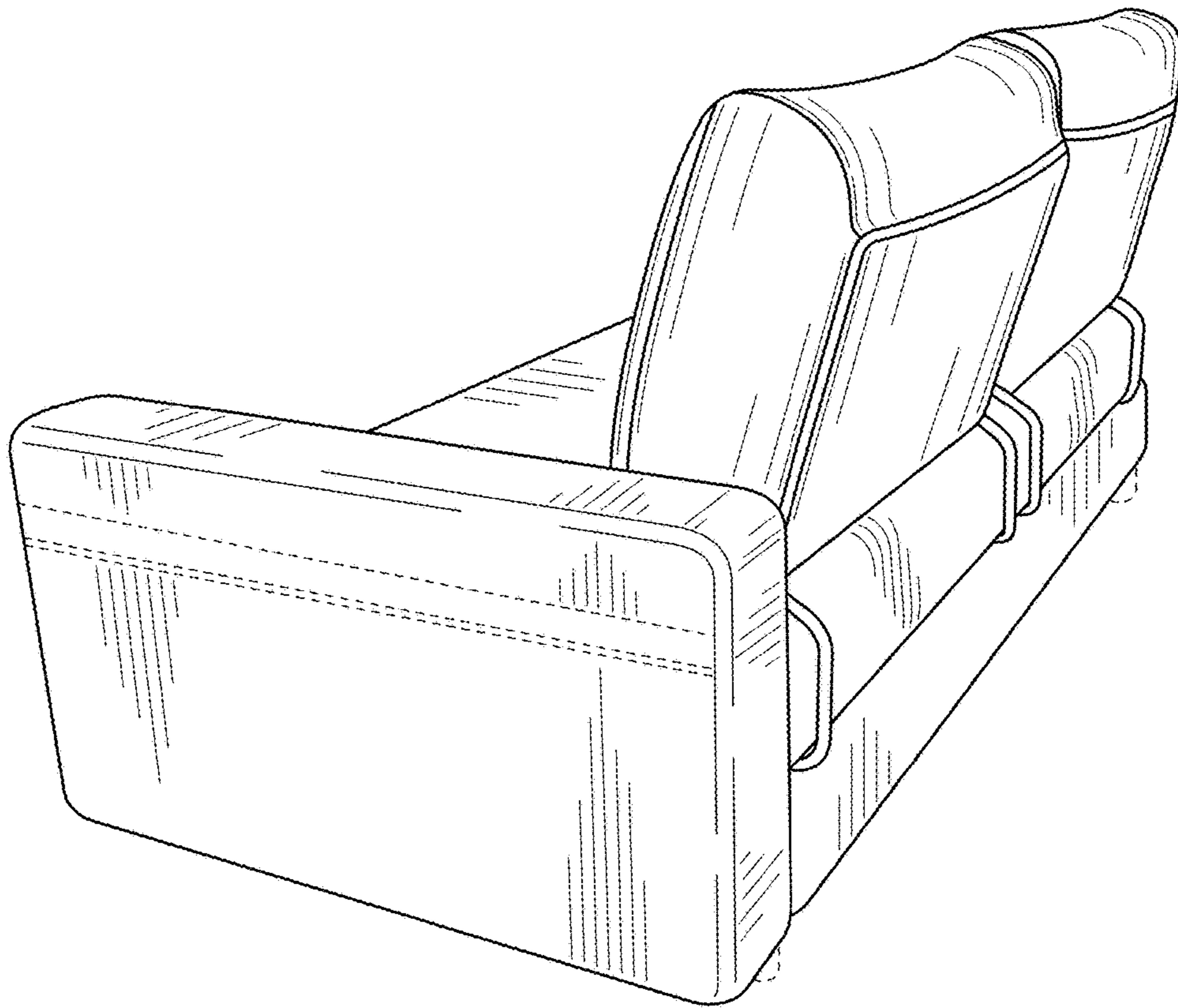


FIG. 7