



US00D816363S

(12) **United States Design Patent** (10) **Patent No.:** **US D816,363 S**  
**Su** (45) **Date of Patent:** **\*\* May 1, 2018**

(54) **CHAIR**

(71) Applicant: **Tung-Hua Su**, Tainan (TW)

(72) Inventor: **Tung-Hua Su**, Tainan (TW)

(\*\*) Term: **15 Years**

(21) Appl. No.: **29/605,116**

(22) Filed: **May 24, 2017**

(51) **LOC (11) Cl.** ..... **06-01**

(52) **U.S. Cl.**  
USPC ..... **D6/366**

(58) **Field of Classification Search**  
USPC ..... D6/334-336, 364, 365, 366, 367, 374,  
D6/379, 380, 716, 716.1, 716.2, 716.3,  
D6/716.4  
CPC .. A47C 7/004; A47C 7/38; A47C 7/40; A47C  
7/022; A47C 7/18; A47C 7/24; A47C  
4/028  
See application file for complete search history.

(56) **References Cited**

**U.S. PATENT DOCUMENTS**

D567,522 S *	4/2008	Igarashi .....	D6/366
D579,682 S *	11/2008	Neil .....	D6/366
D656,752 S *	4/2012	Moll .....	D6/366
D662,331 S *	6/2012	Czumaj-Bront .....	D6/366
D666,841 S *	9/2012	Czumaj-Bront .....	D6/366
D670,927 S *	11/2012	Hurford .....	D6/366

D710,640 S *	8/2014	Usumoto .....	D6/366
D733,445 S *	7/2015	Izawa .....	D6/366
D793,112 S *	8/2017	Webb .....	D6/366
D800,470 S *	10/2017	Barber .....	D6/366
D800,471 S *	10/2017	Barber .....	D6/366
D800,472 S *	10/2017	Meda .....	D6/366

\* cited by examiner

*Primary Examiner* — Mimososa De

(74) *Attorney, Agent, or Firm* — Alan D. Kamrath;  
Kamrath IP Lawfirm, P.A.

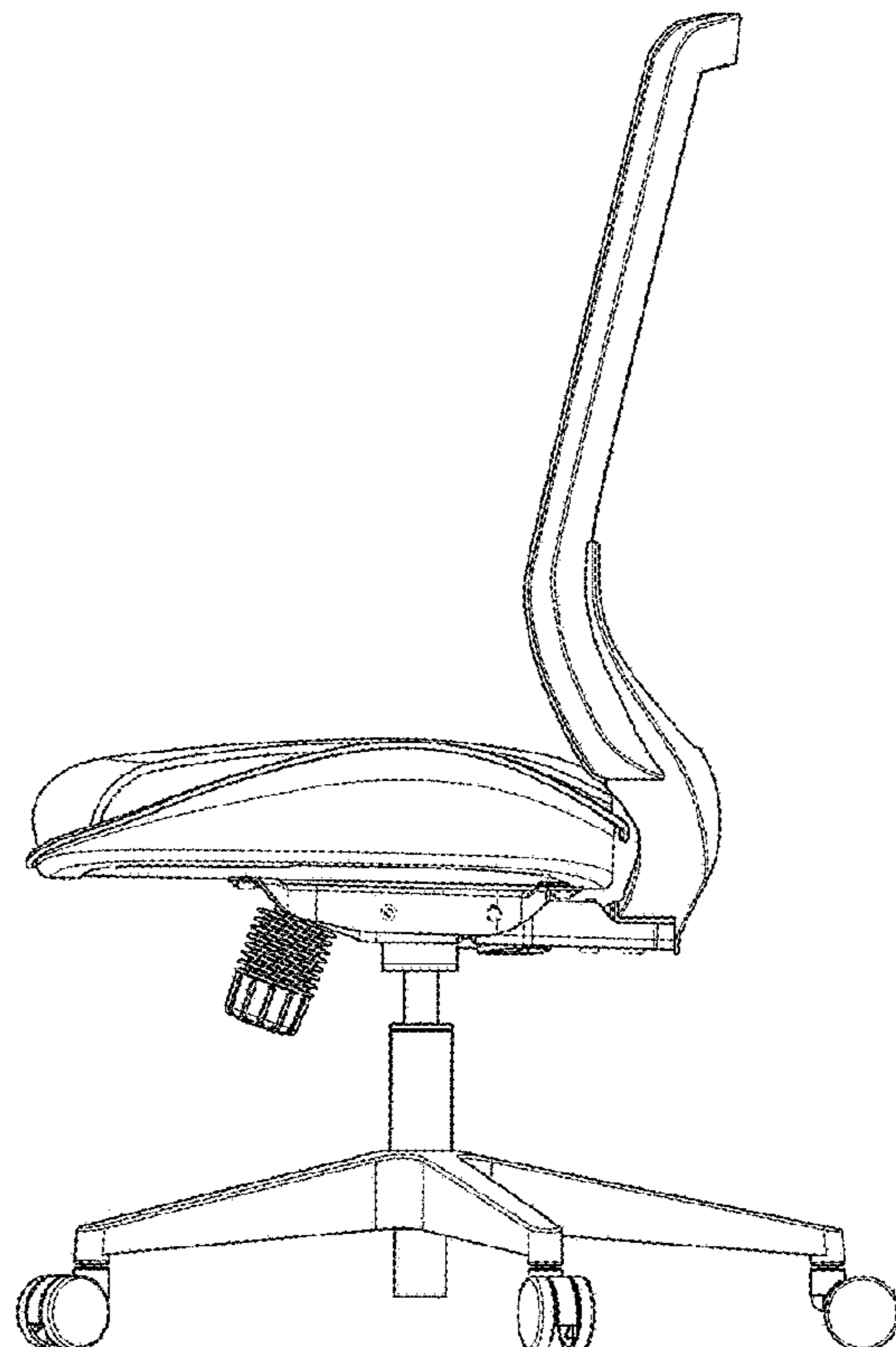
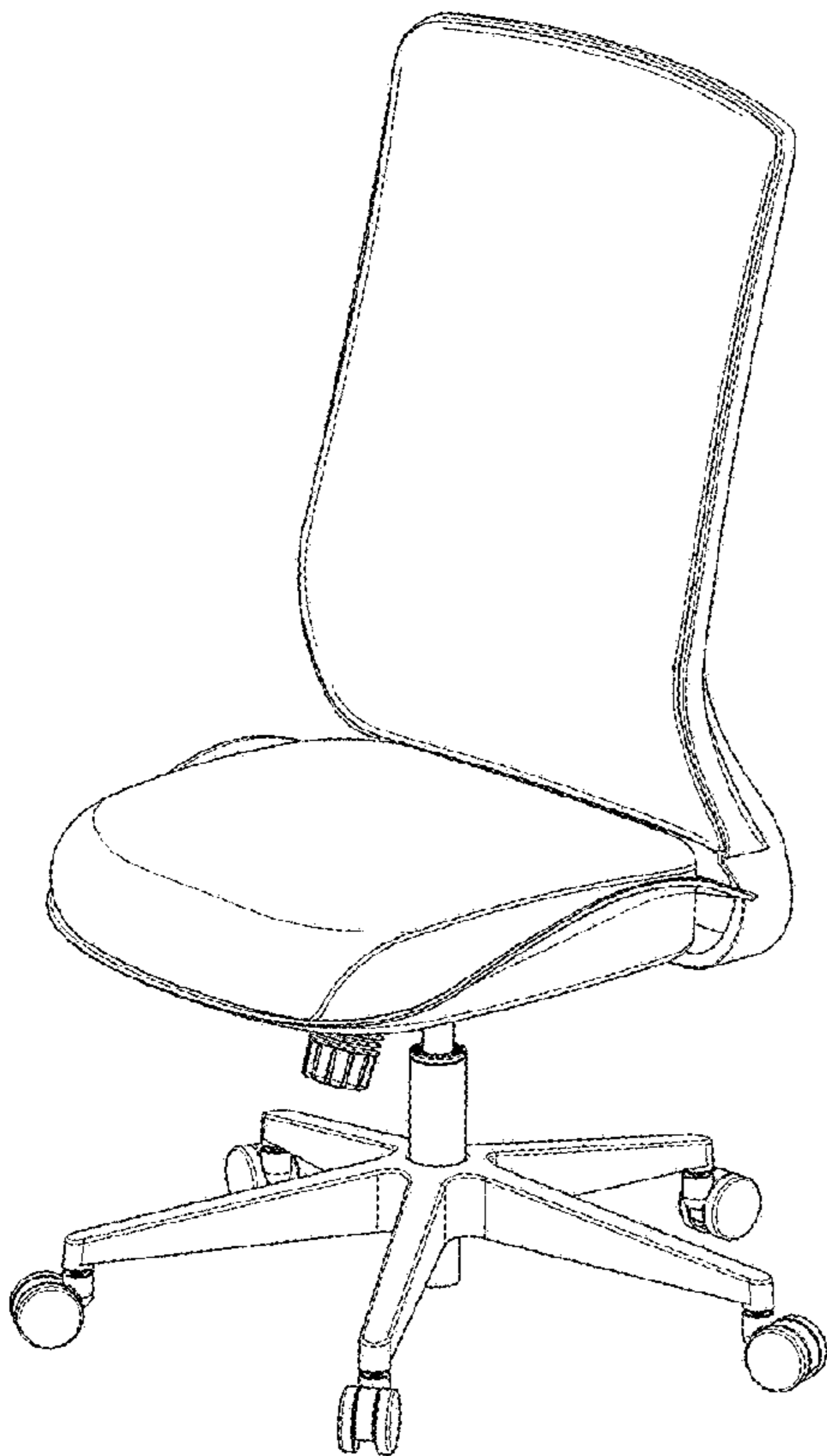
(57) **CLAIM**

The ornamental design for a chair, as shown and described.

**DESCRIPTION**

FIG. 1 is a perspective view of the chair showing my new design;  
FIG. 2 is a front elevation view thereof;  
FIG. 3 is a rear elevation view thereof;  
FIG. 4 is a left side elevation view thereof;  
FIG. 5 is a right side elevation view thereof;  
FIG. 6 is a top plan view thereof; and,  
FIG. 7 is a bottom plan view thereof.  
The broken lines shown are included for purposes of illustrating unclaimed portions of the chair and form no part of the claimed design.

**1 Claim, 7 Drawing Sheets**



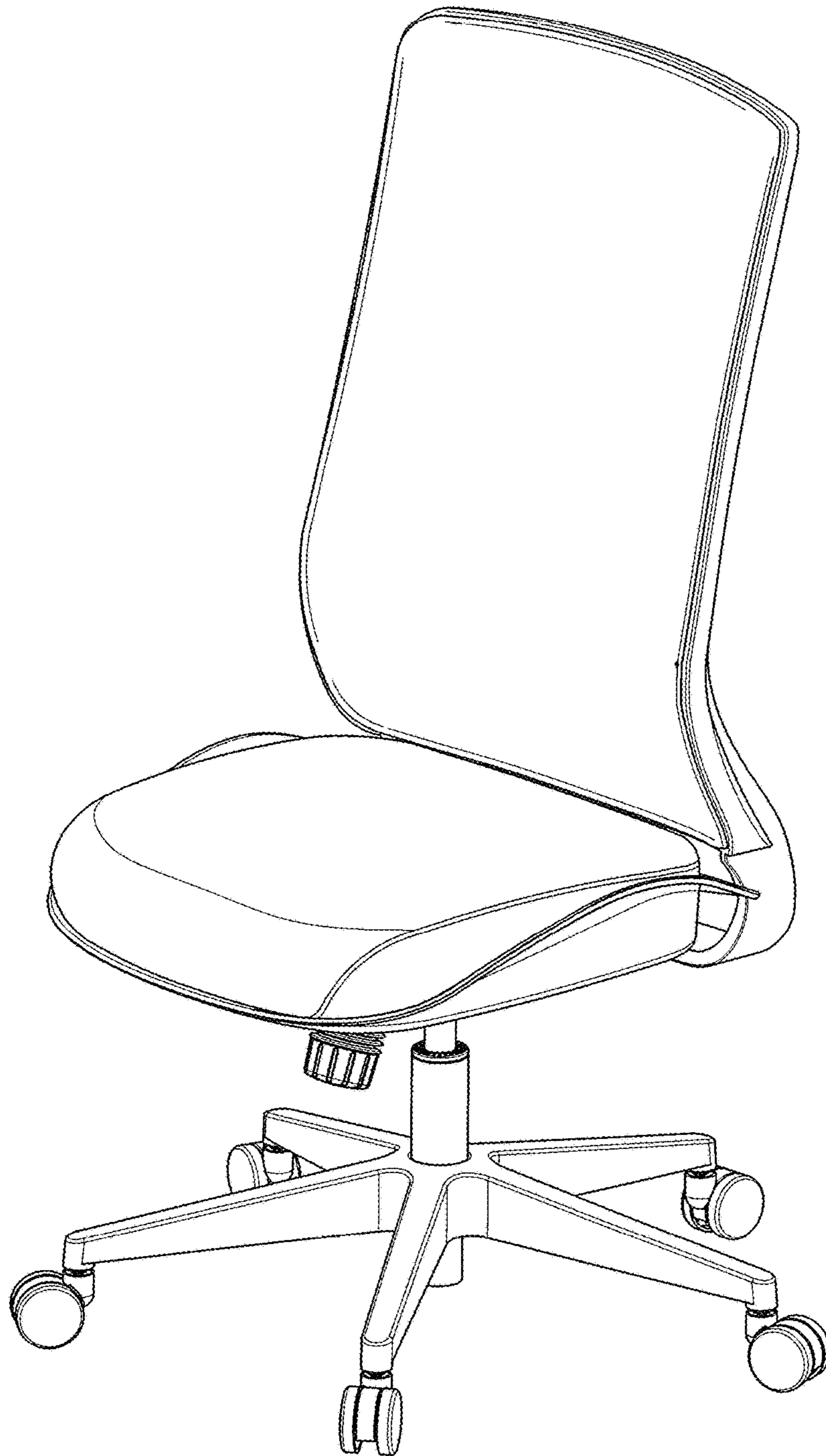


FIG. 1

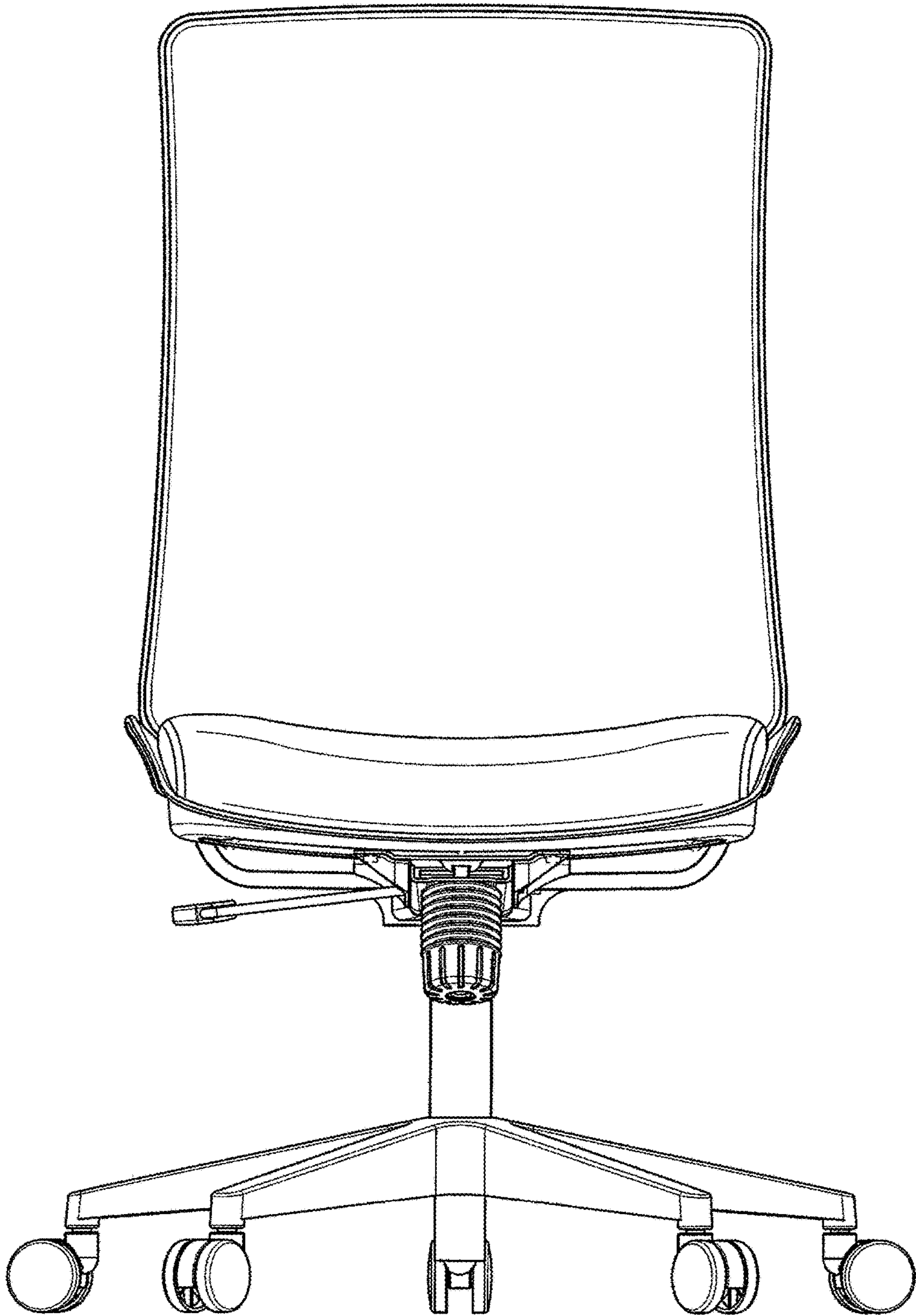
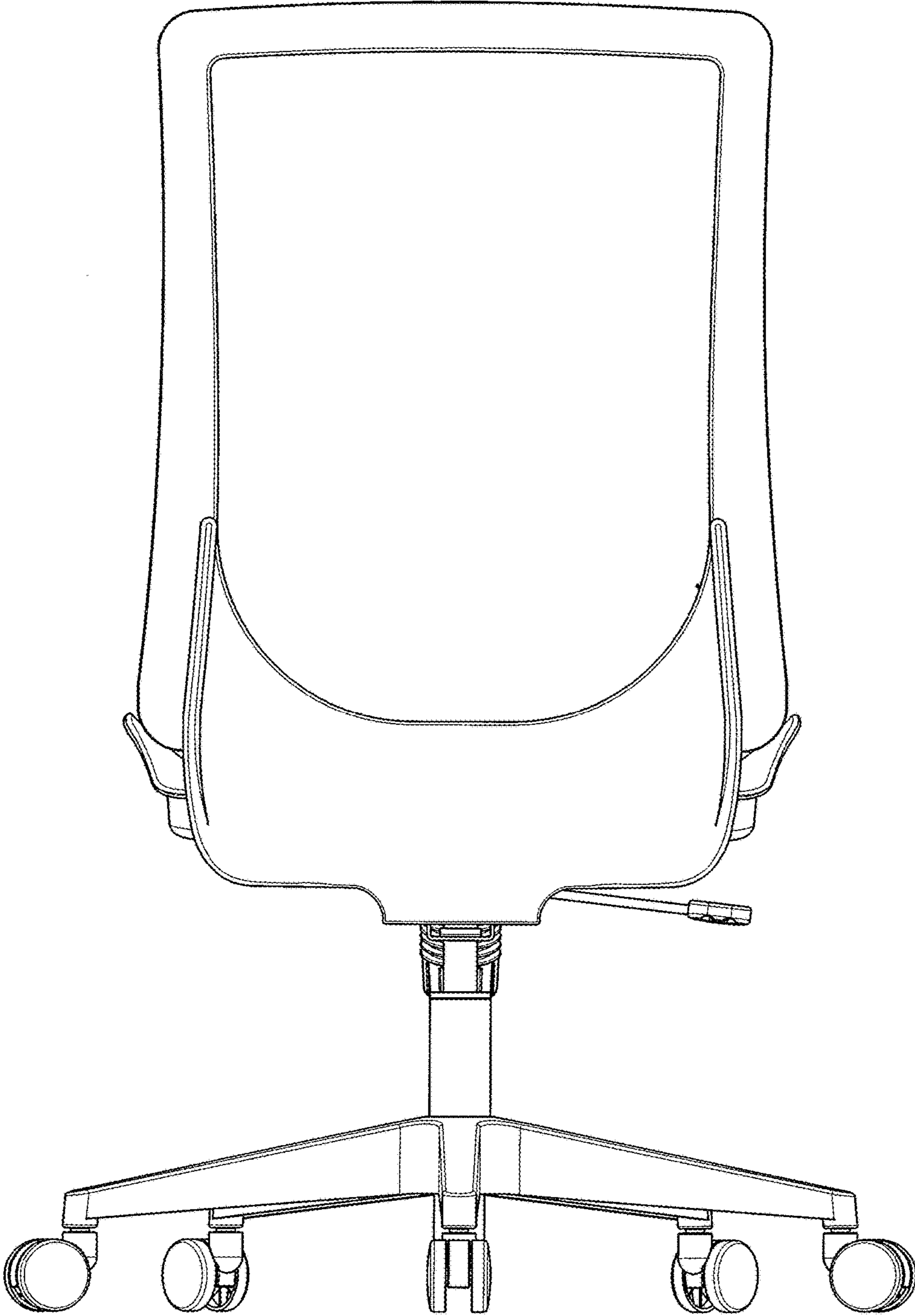


FIG. 2





F I G . 3

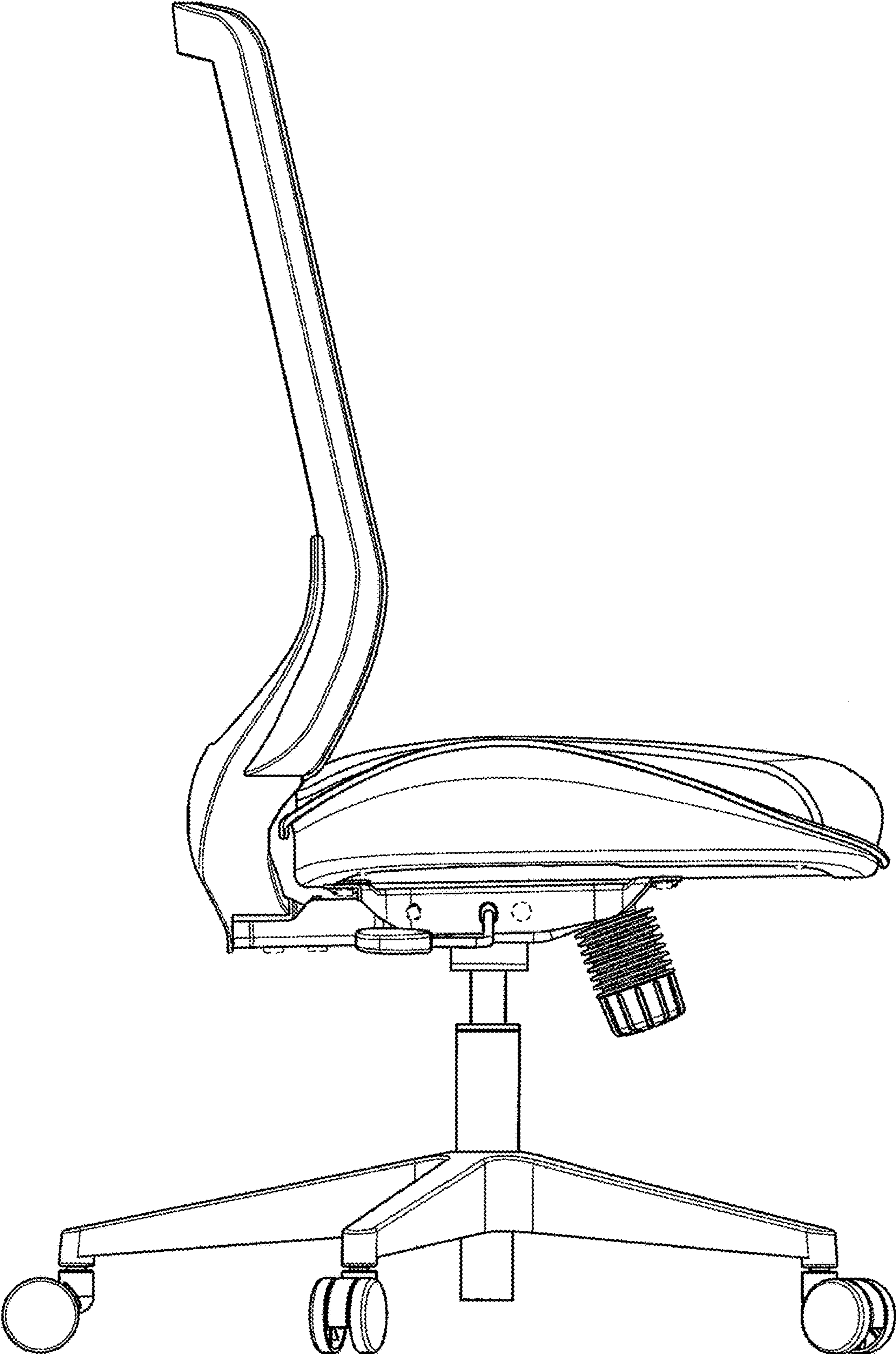


FIG. 4

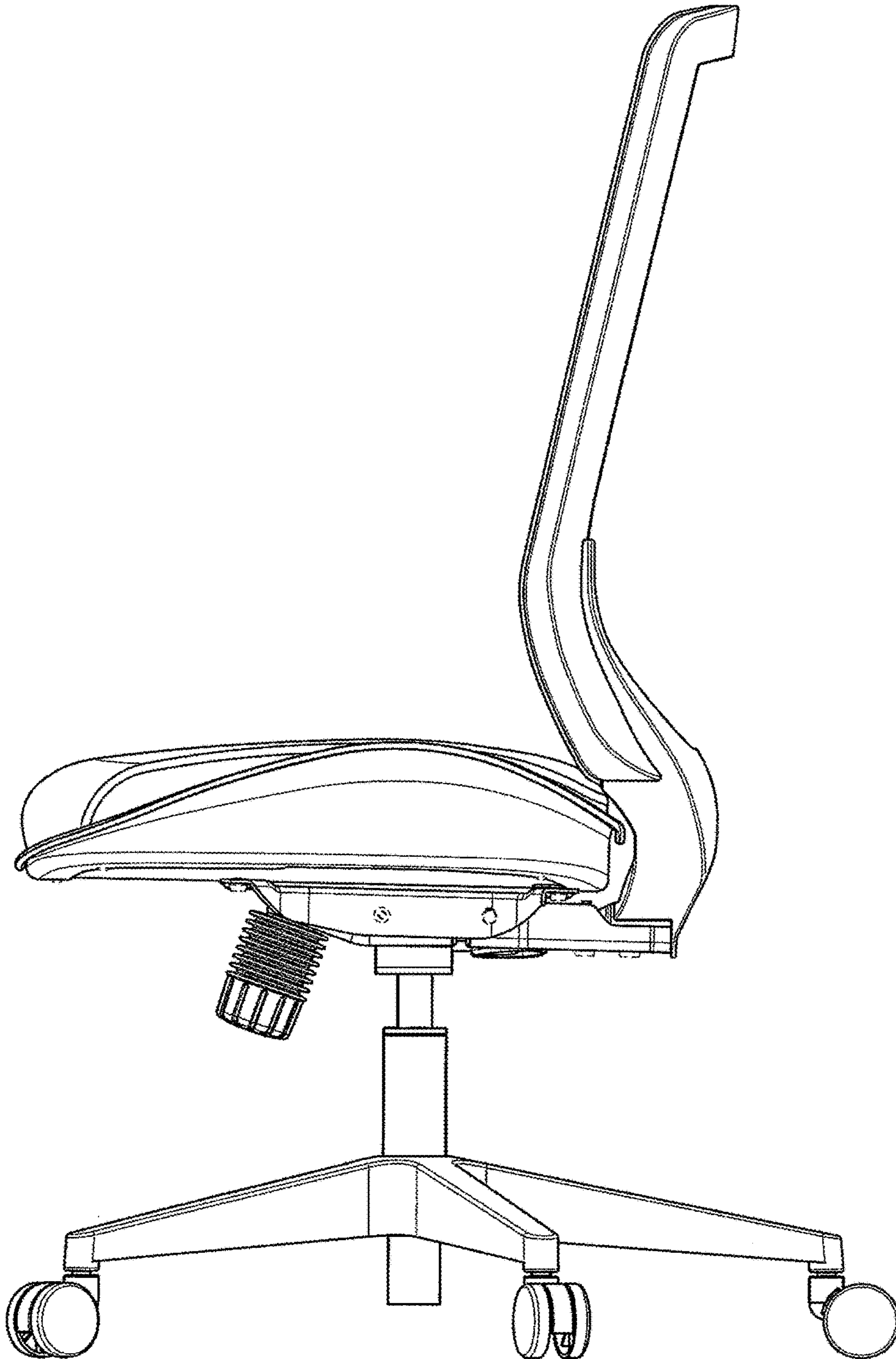


FIG. 5

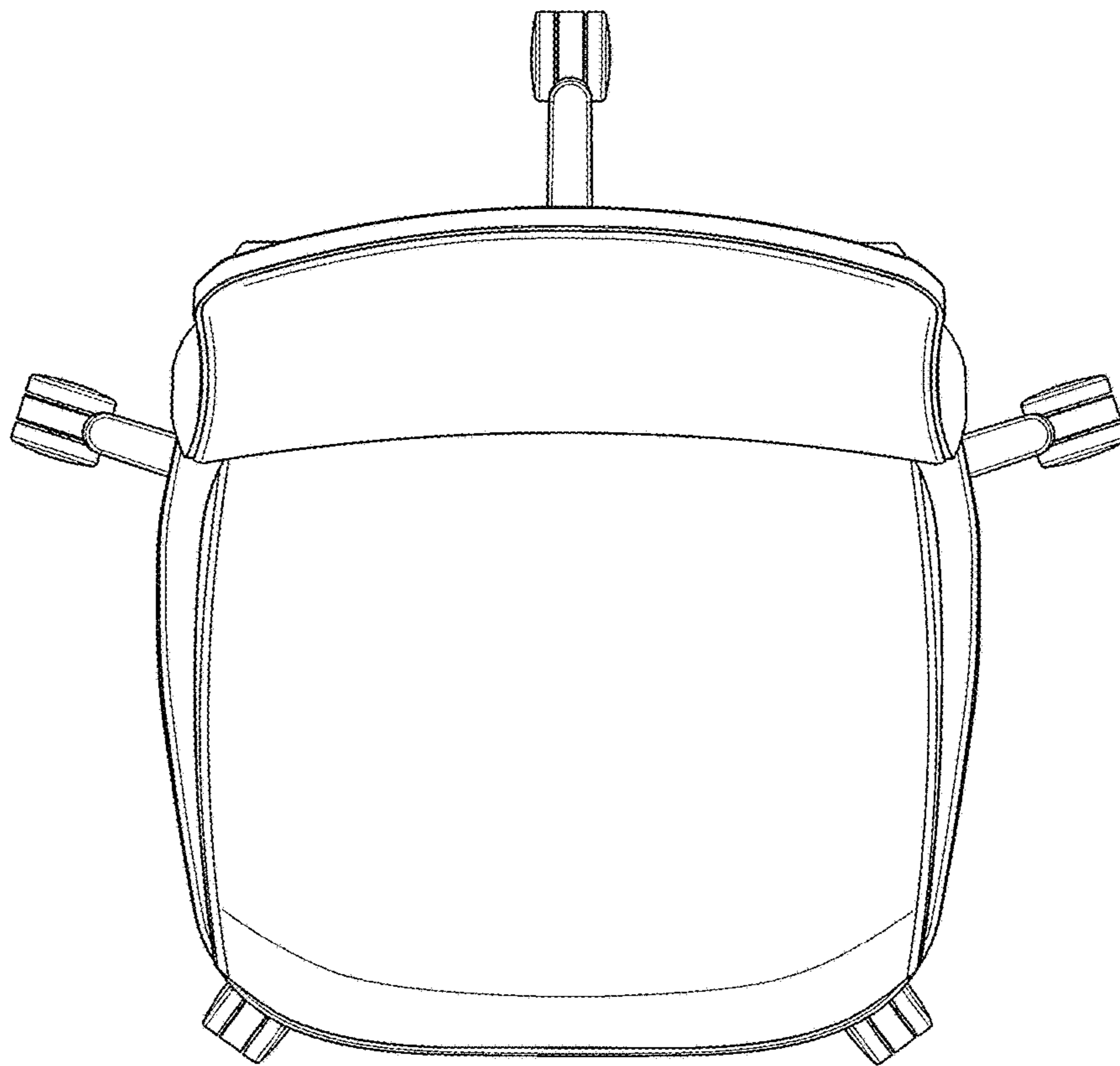


FIG. 6



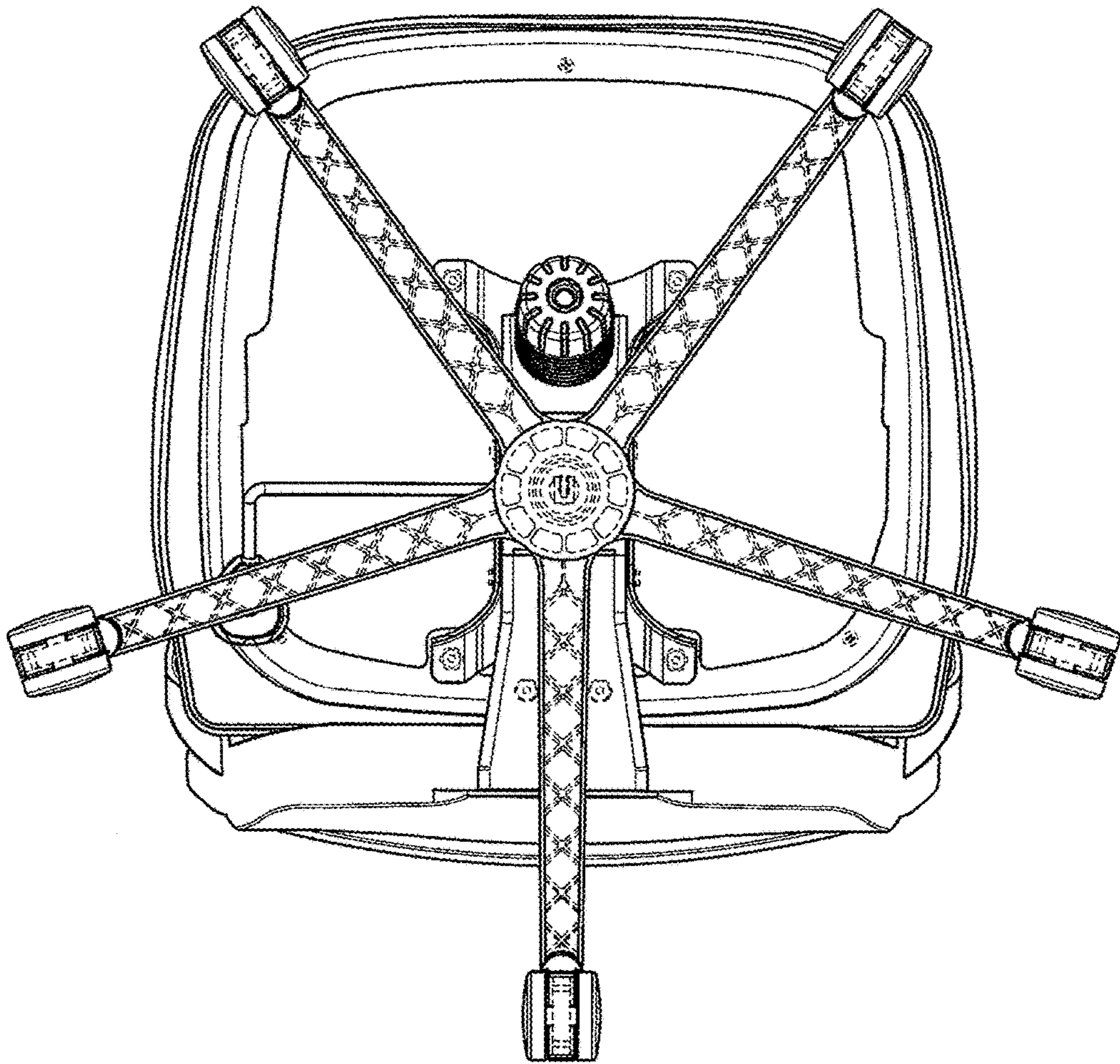


FIG. 7