



US00D816362S

(12) **United States Design Patent**  
**Su**

(10) **Patent No.:** **US D816,362 S**

(45) **Date of Patent:** **\*\* May 1, 2018**

(54) **CHAIR**

(71) Applicant: **Tung-Hua Su**, Tainan (TW)

(72) Inventor: **Tung-Hua Su**, Tainan (TW)

(\*\*) Term: **15 Years**

(21) Appl. No.: **29/585,577**

(22) Filed: **Nov. 28, 2016**

(51) **LOC (11) Cl.** ..... **06-01**

(52) **U.S. Cl.**

USPC ..... **D6/366**

(58) **Field of Classification Search**

USPC ..... D6/334-336, 364, 365, 366, 367, 374,  
D6/379, 380, 716, 716.1, 716.2, 716.3,  
D6/716.4

CPC ..... A47C 7/004; A47C 7/006; A47C 7/40;  
A47C 7/44; A47C 7/46; A47C 7/54;  
A47C 7/022; A47C 7/282; A47C 7/18;  
A47C 7/24; A47C 4/028; B60N 2/66

See application file for complete search history.

(56) **References Cited**

**U.S. PATENT DOCUMENTS**

D540,080 S *	4/2007	Su	.....	D6/366
D541,062 S *	4/2007	Su	.....	D6/366
7,347,495 B2 *	3/2008	Beyer	.....	A47C 7/44 297/284.3
D580,199 S *	11/2008	Su	.....	D6/366
D582,170 S *	12/2008	Chi	.....	D6/366

D661,136 S *	6/2012	Su	.....	D6/366
D683,172 S *	5/2013	Su	.....	D6/366
D703,966 S *	5/2014	Wu	.....	D6/366
D724,367 S *	3/2015	Sander	.....	D6/366
D766,605 S *	9/2016	Li	.....	D6/366
D772,592 S *	11/2016	Su	.....	D6/366
D773,199 S *	12/2016	Neil	.....	D6/366
D773,874 S *	12/2016	Su	.....	D6/366
D792,120 S *	7/2017	Webb	.....	D6/366
D792,717 S *	7/2017	Webb	.....	D6/366
D798,092 S *	9/2017	Pan	.....	D6/366

\* cited by examiner

*Primary Examiner* — Mimosa De

(74) *Attorney, Agent, or Firm* — Alan D. Kamrath;  
Kamrath IP Lawfirm, P.A.

(57) **CLAIM**

The ornamental design for a chair, as shown and described.

**DESCRIPTION**

FIG. 1 is a perspective view of the chair showing my new design;

FIG. 2 is a front elevation view thereof;

FIG. 3 is a rear elevation view thereof;

FIG. 4 is a left side elevation view thereof;

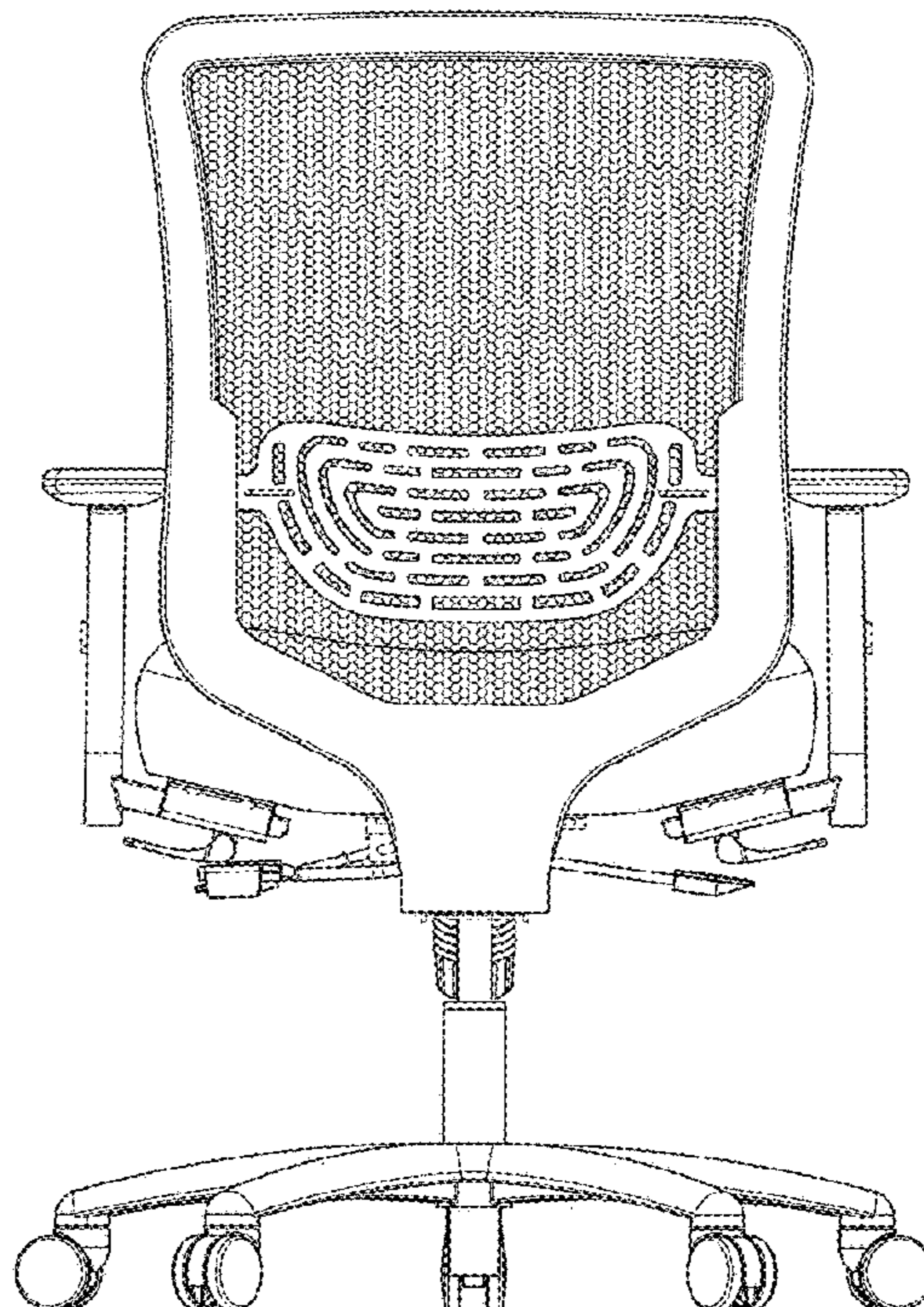
FIG. 5 is a right side elevation view thereof;

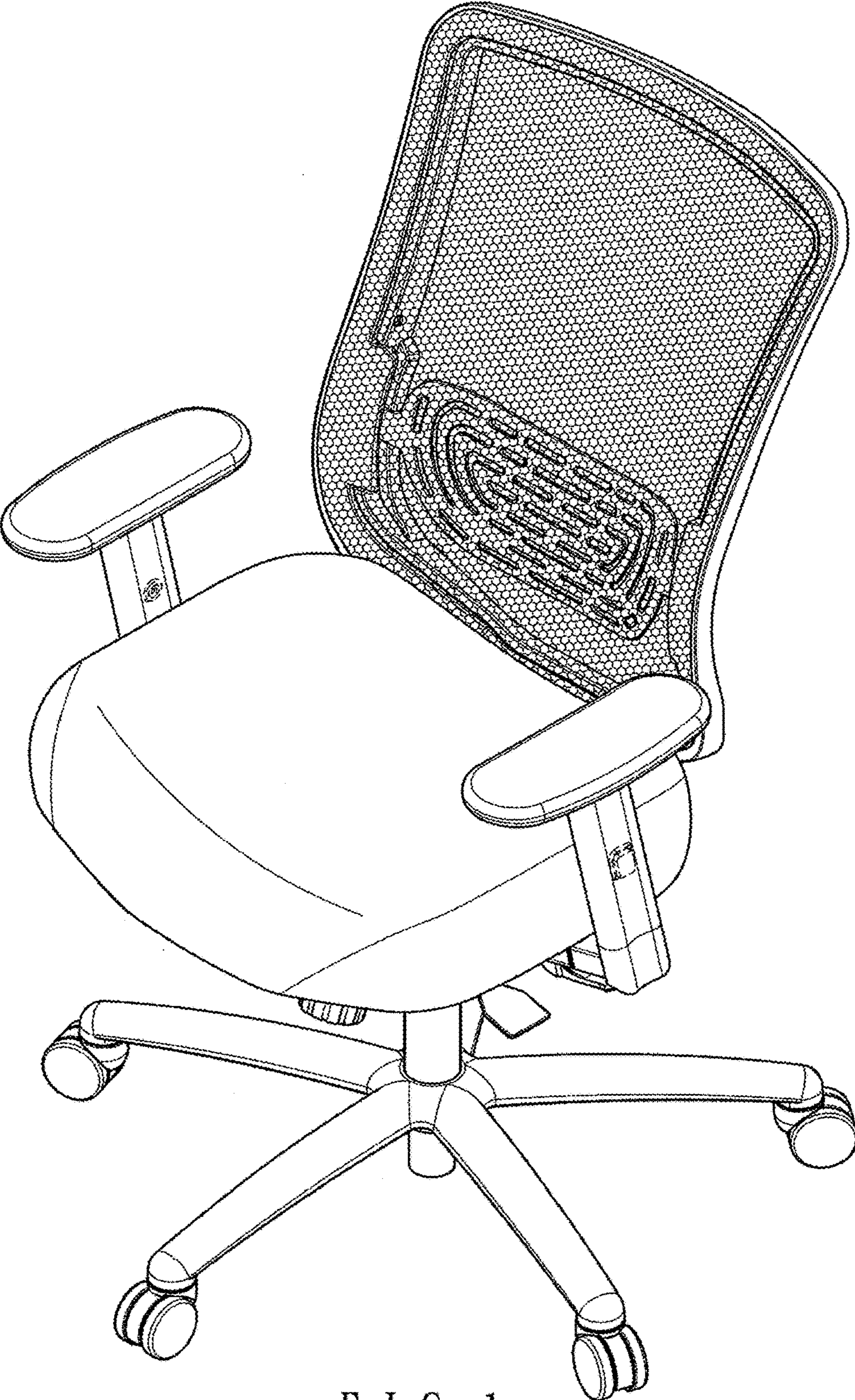
FIG. 6 is a top plan view thereof; and,

FIG. 7 is a bottom plan view thereof.

The broken lines shown are included for purposes of illustrating unclaimed portions of the chair and form no part of the claimed design.

**1 Claim, 7 Drawing Sheets**





F I G . 1

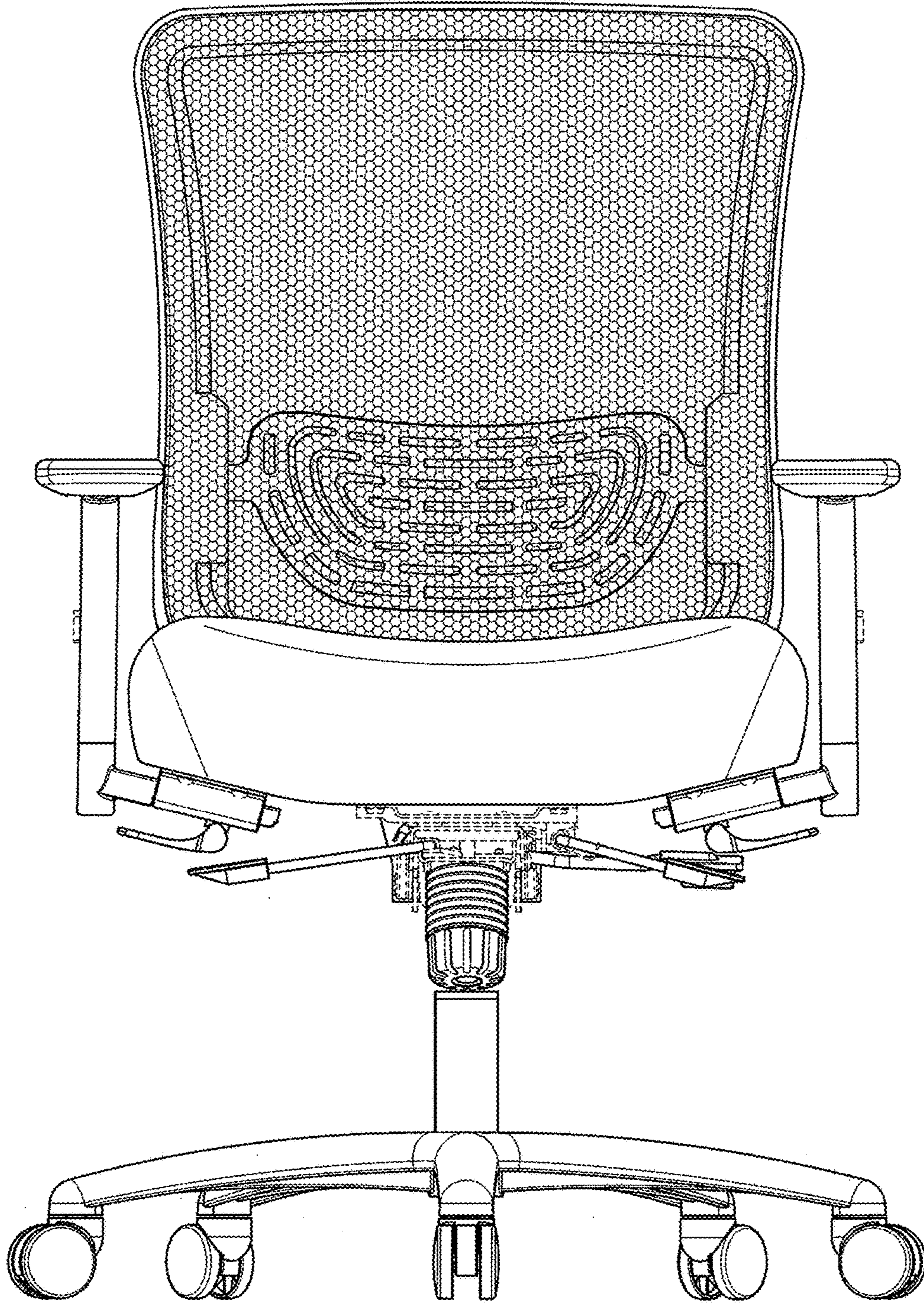


FIG. 2

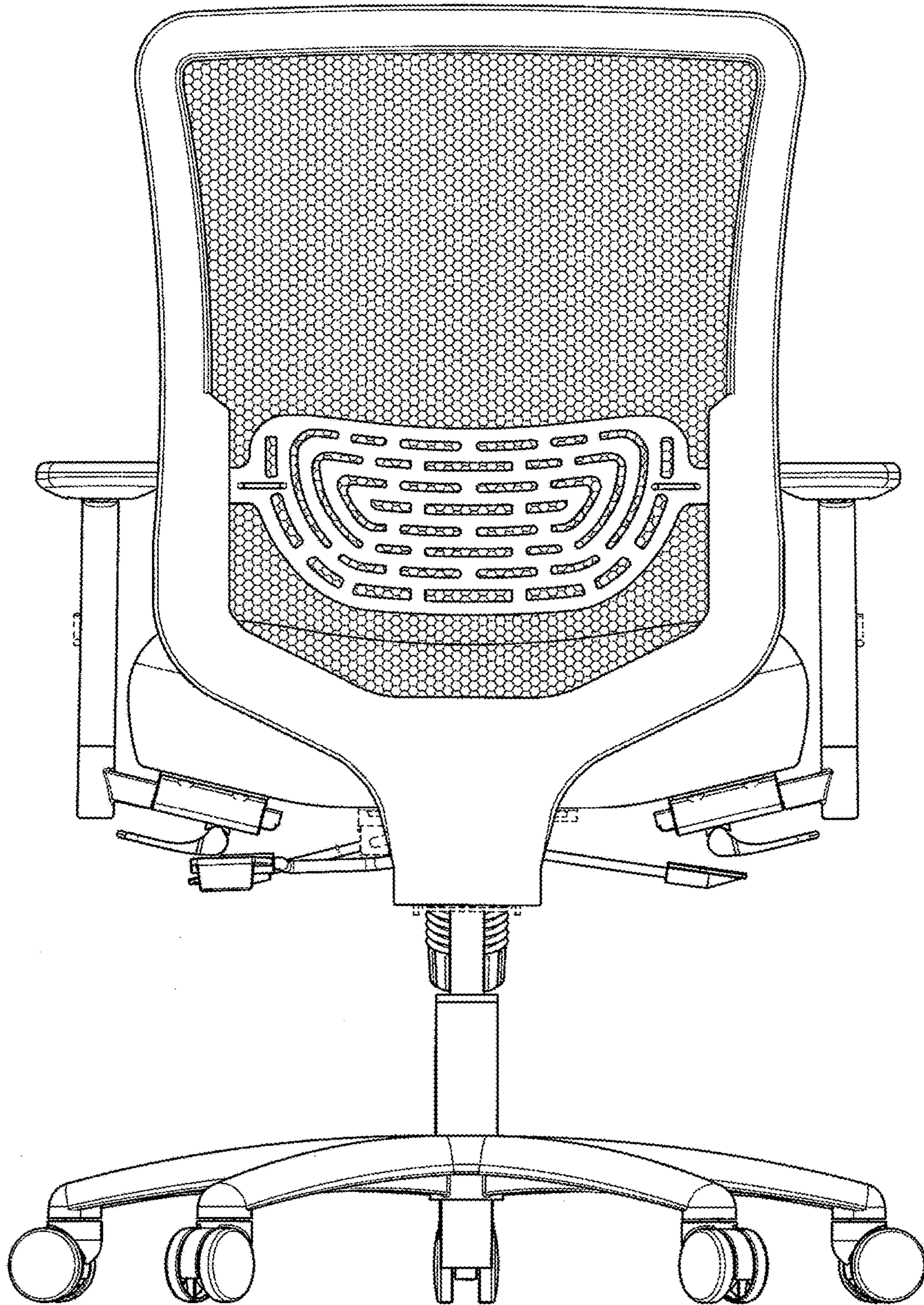


FIG. 3

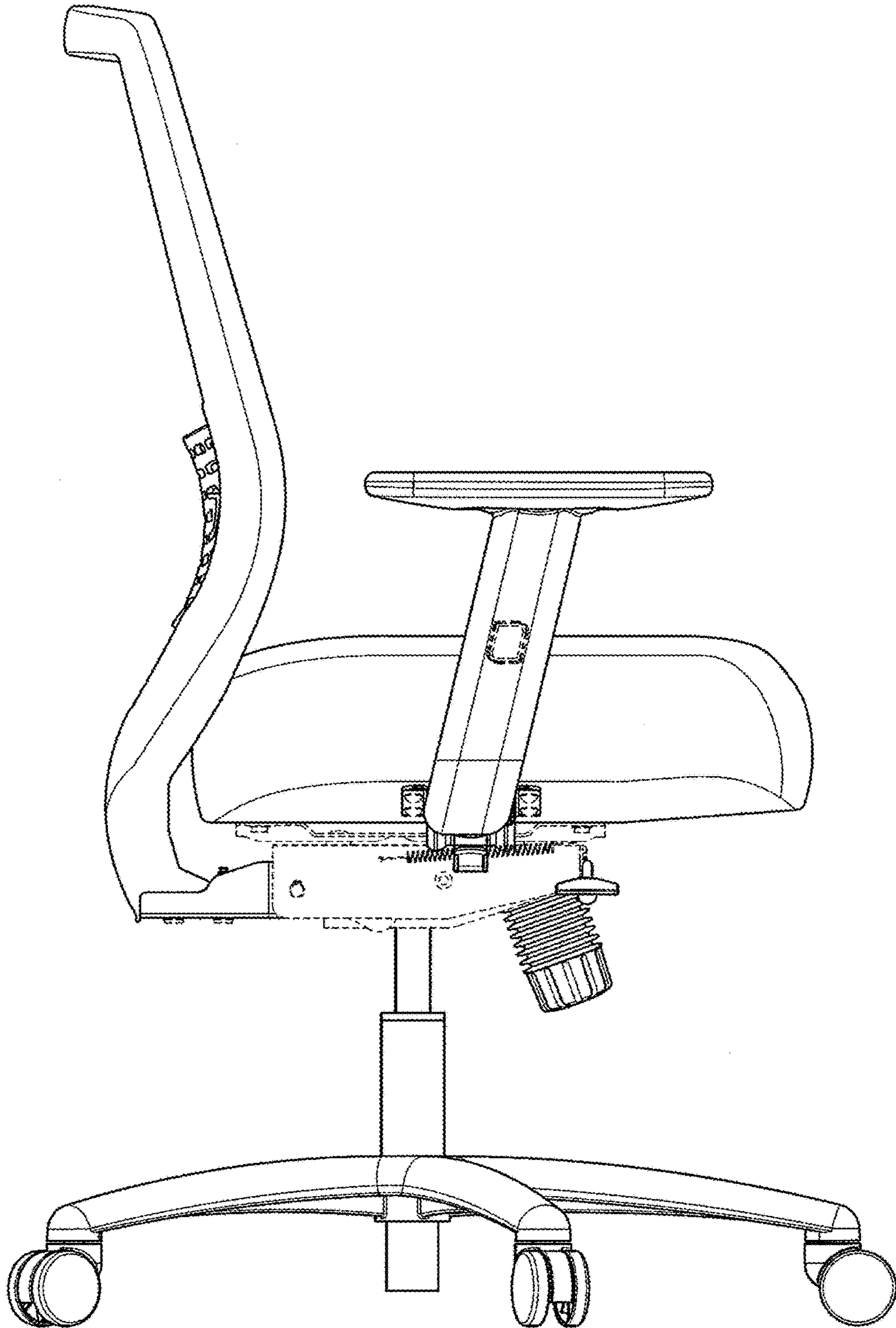


FIG. 4

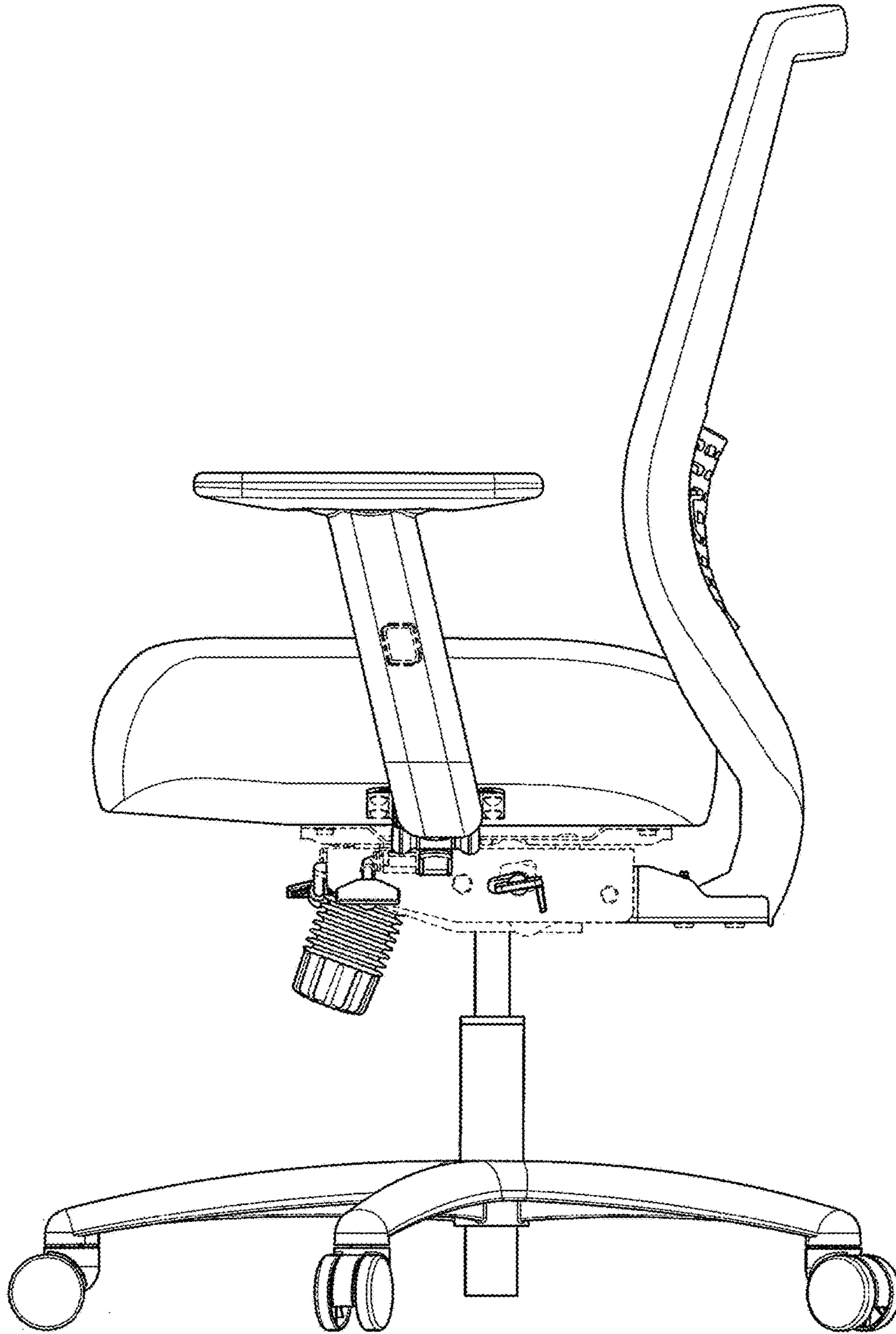
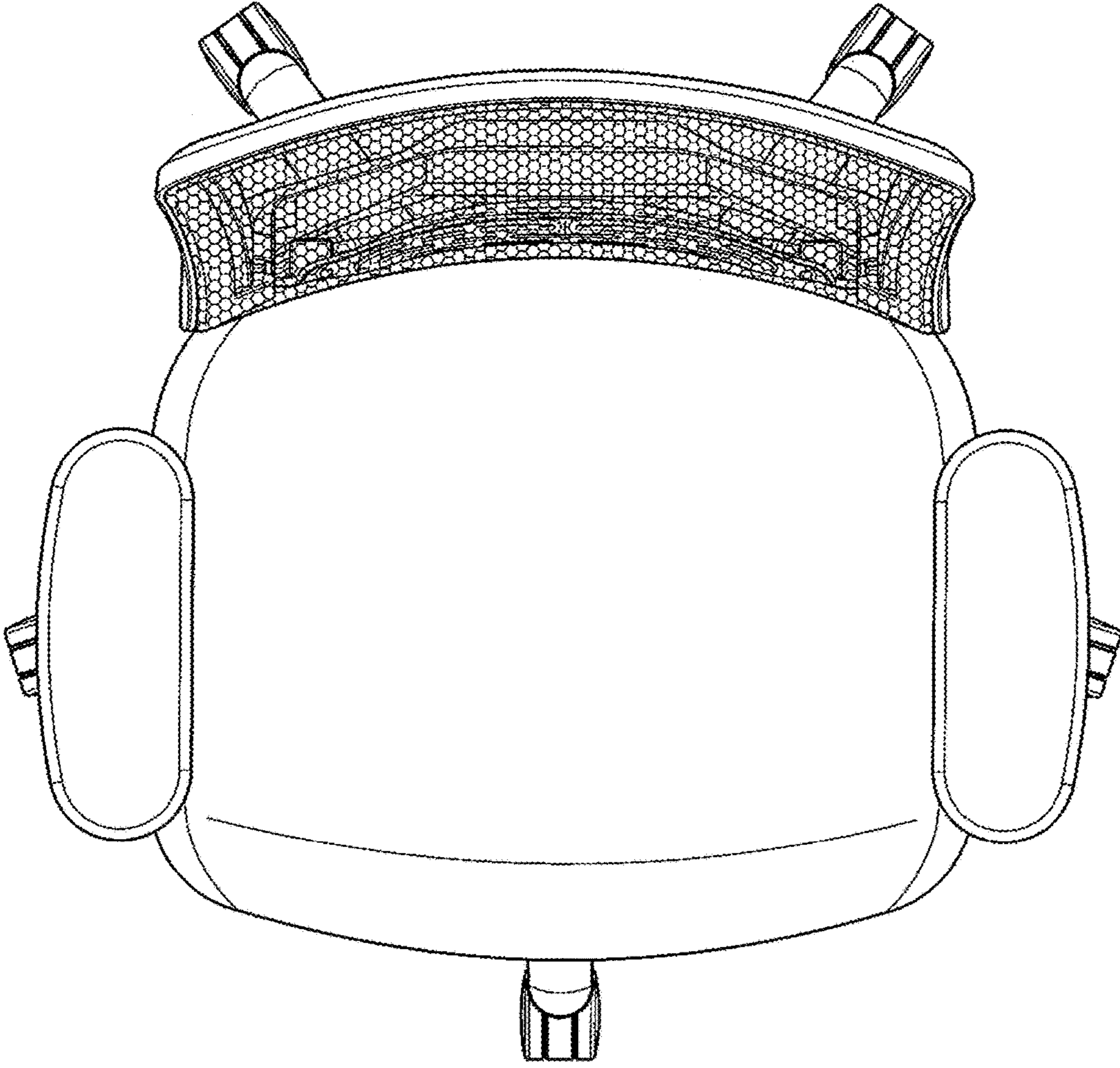


FIG. 5



F I G . 6

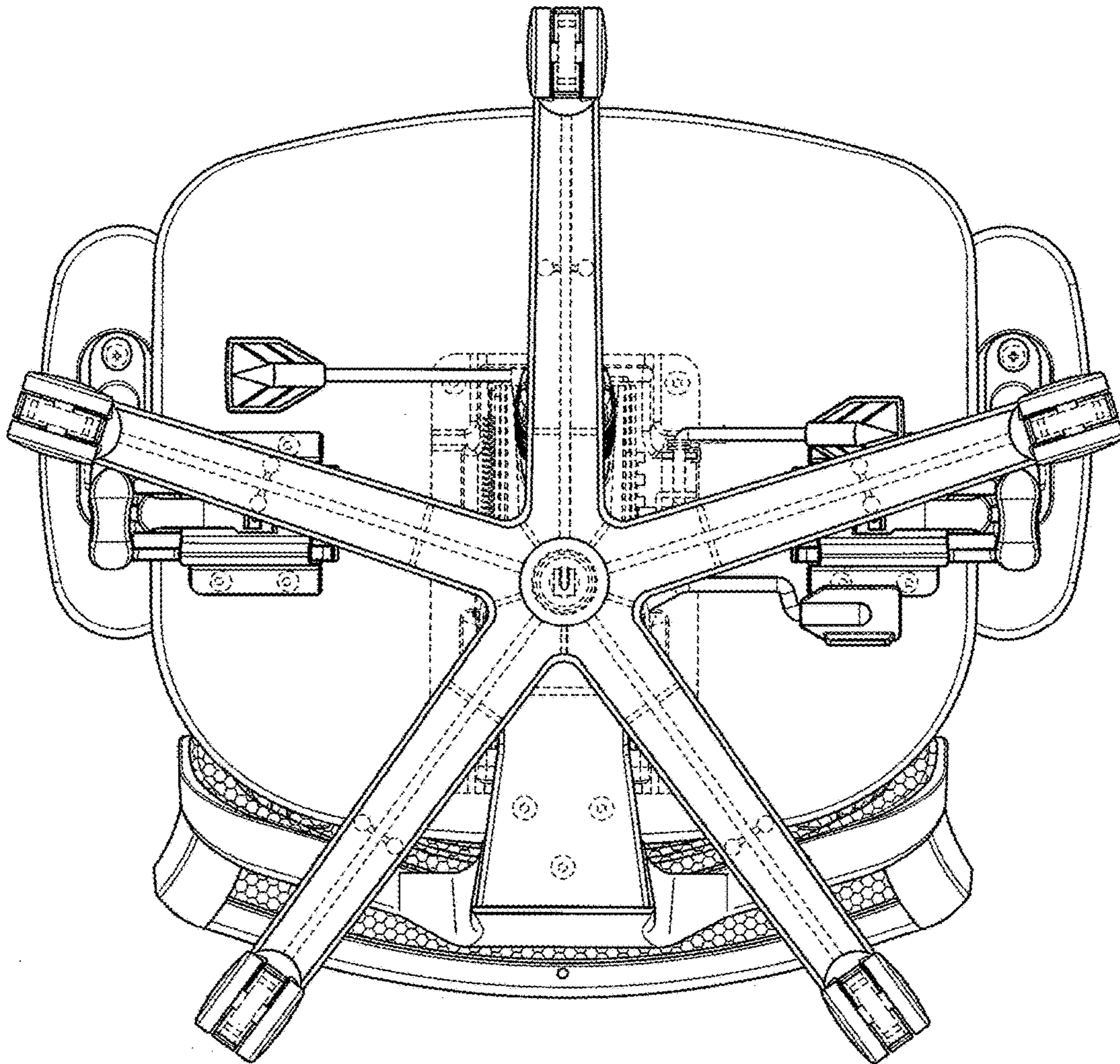


FIG. 7