



US00D816361S

(12) **United States Design Patent** (10) **Patent No.:** **US D816,361 S**
Newhouse (45) **Date of Patent:** **** May 1, 2018**

(54) **SEAT**
(71) Applicant: **Trendway Corporation**, Holland, MI (US)
(72) Inventor: **Thomas J. Newhouse**, Grand Rapids, MI (US)
(73) Assignee: **Trendway Corporation**, Holland, MI (US)
(**) Term: **15 Years**
(21) Appl. No.: **29/558,752**

D372,367 S * 8/1996 Bonaddio D6/334
6,783,182 B1 * 8/2004 Gallagher A47C 4/02
297/440.14
D497,737 S * 11/2004 Stewart D16/225
D498,064 S * 11/2004 Gomez D6/334
D510,486 S * 10/2005 Karl D6/334
D525,802 S * 8/2006 Spear D6/381
D538,549 S * 3/2007 Spear D6/381
D577,211 S * 9/2008 Natuzzi D6/334
D586,590 S * 2/2009 Schweikarth D6/716
D621,628 S * 8/2010 Saul D6/335
D639,083 S * 6/2011 Martin D6/381
D646,906 S * 10/2011 Joly D6/375
D657,964 S * 4/2012 Amini D6/334
D665,601 S * 8/2012 LeHew D6/708

(Continued)

(22) Filed: **Mar. 21, 2016**
(51) **LOC (11) Cl.** **06-01**
(52) **U.S. Cl.**
USPC **D6/364**
(58) **Field of Classification Search**
USPC D6/364, 334-336, 371, 372, 373, 374,
D6/375, 716, 716.1, 716.4
CPC A47C 3/16; A47C 7/50; A47C 7/18; A47C
7/24; A47C 15/002
See application file for complete search history.

OTHER PUBLICATIONS

Trendway.com, Product—Feek 18, Aug. 16, 2017, <https://www.trendway.com/product/feek-18/>.*

Primary Examiner — David Muller
Assistant Examiner — Nathan Johnston
(74) *Attorney, Agent, or Firm* — McGarry Bair PC

(56) **References Cited**

U.S. PATENT DOCUMENTS

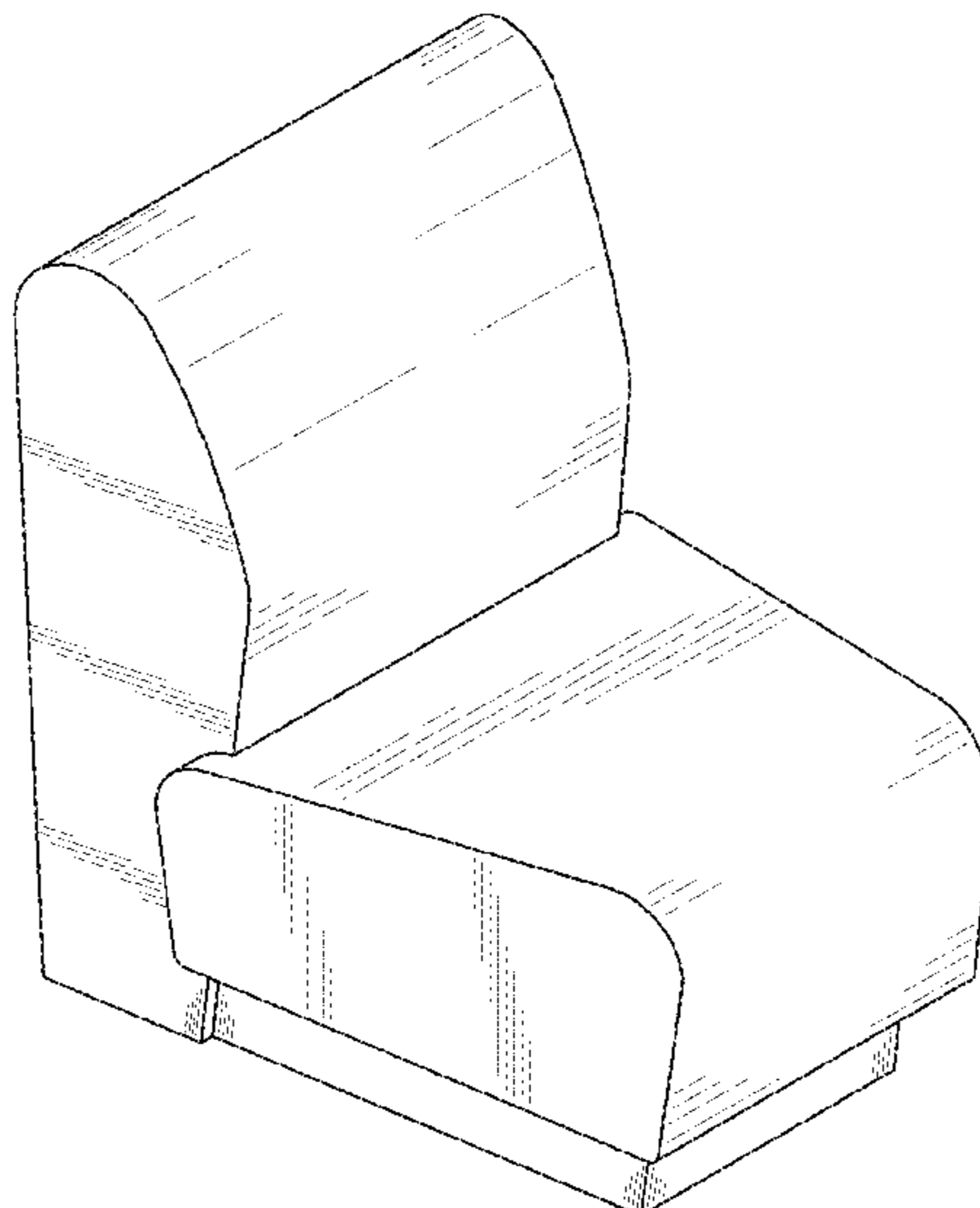
D132,793 S * 6/1942 Reiss D6/364
4,092,049 A * 5/1978 Schoblom A47C 4/022
297/218.4
4,212,090 A * 7/1980 Ehrlich A47C 17/045
297/239
D261,955 S * 11/1981 Aronowitz D6/363
D268,797 S * 5/1983 Mascheroni D6/371
D273,156 S * 3/1984 Dubbin D6/334
D284,142 S * 6/1986 Raftery D6/334
4,602,817 A * 7/1986 Raftery A47C 4/02
24/339
D286,586 S * 11/1986 Radford D6/334
D289,831 S * 5/1987 Leib D6/334
D364,749 S * 12/1995 McKnight D6/375

(57) **CLAIM**
The ornamental design for a seat, as shown and described.

DESCRIPTION

FIG. 1 is a perspective view of a seat showing my new design;
FIG. 2 is a top plan view thereof;
FIG. 3 is a bottom plan view thereof;
FIG. 4 is a left side elevation view thereof;
FIG. 5 is a right side view thereof;
FIG. 6 is front elevation view thereof; and,
FIG. 7 is a rear elevation view thereof.
Portions of the seat shown in broken lines form no part of the claimed design.

1 Claim, 5 Drawing Sheets



(56)

References Cited

U.S. PATENT DOCUMENTS

D668,892	S *	10/2012	Metcalf	D6/717
D671,341	S *	11/2012	Metcalf	D6/717
D704,468	S *	5/2014	Gaschy	D6/371
D717,553	S *	11/2014	Baraldi	D6/334
D725,396	S *	3/2015	Lee	D6/371
D731,835	S *	6/2015	Schweikarth	D6/717
D737,589	S *	9/2015	Lenhart	D6/373
D740,043	S *	10/2015	Lee	D6/375
D751,310	S *	3/2016	Schroeder	D6/364
D756,673	S *	5/2016	Schweikarth	D6/334
D770,822	S *	11/2016	Schweikarth	D6/366
D793,783	S *	8/2017	Newhouse	D6/696.1
2008/0164742	A1 *	7/2008	Crowe	A47C 4/02 297/440.14
2011/0298340	A1 *	12/2011	Nelson	A47C 13/005 312/111

* cited by examiner

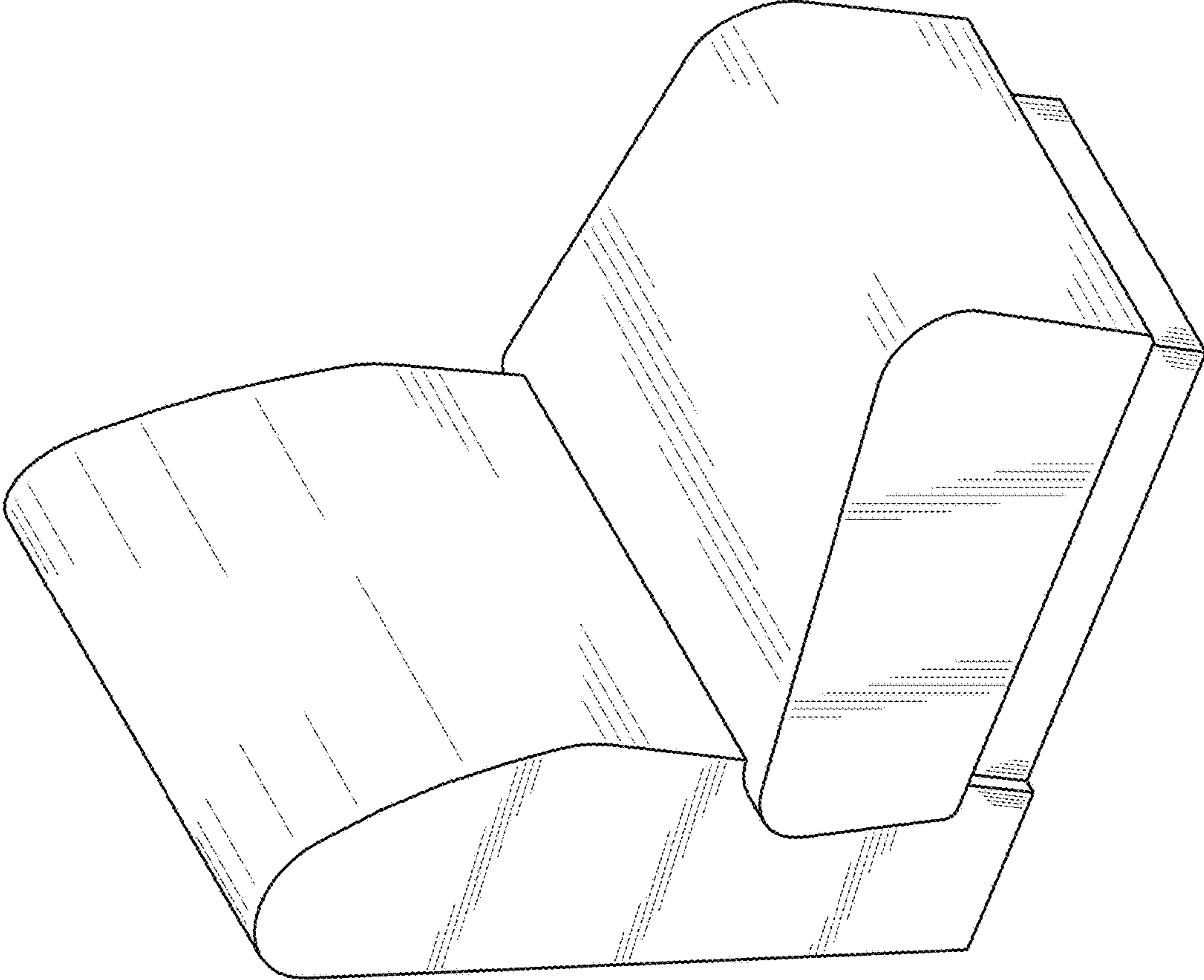


FIG. 1

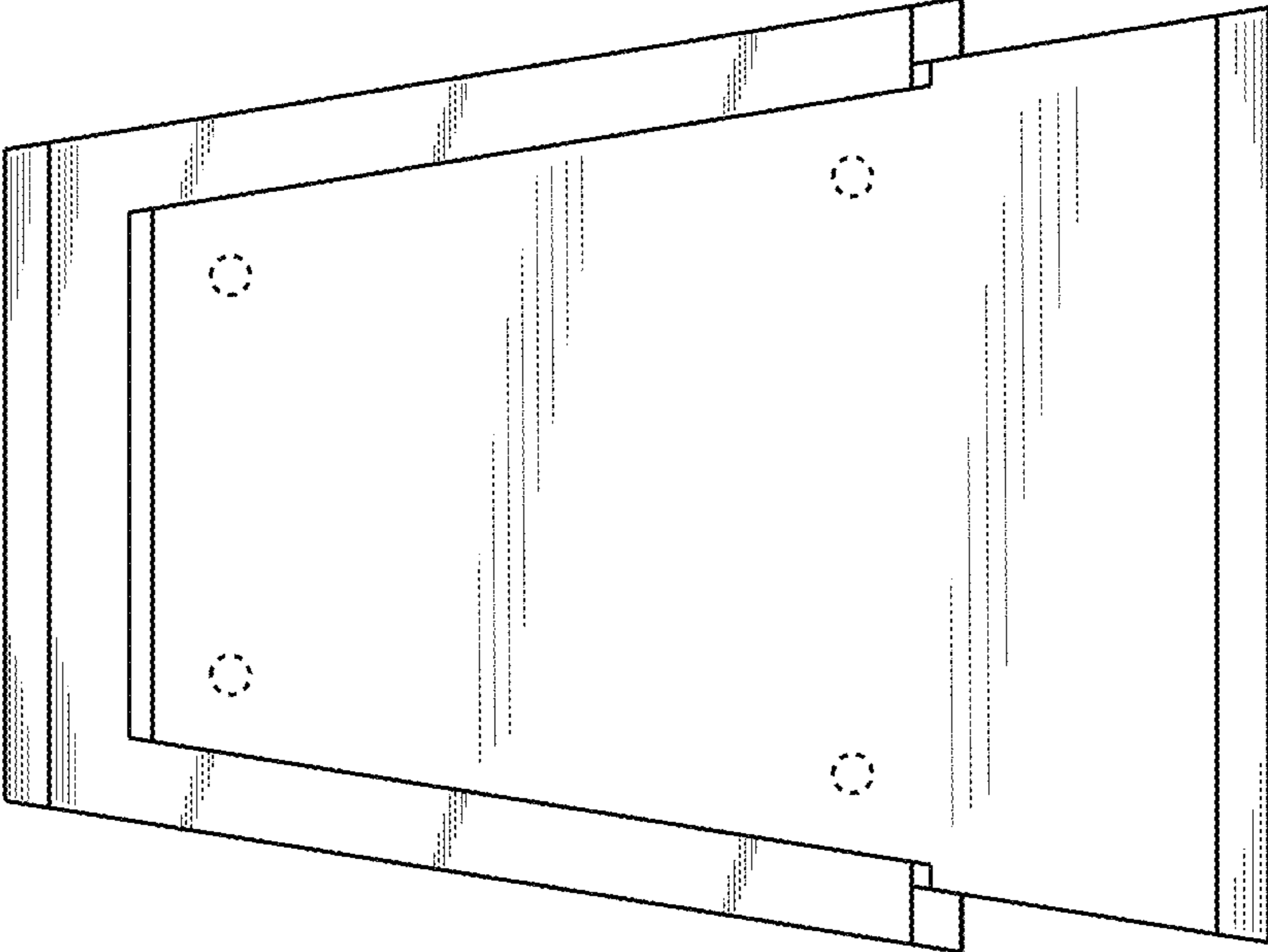


FIG. 2

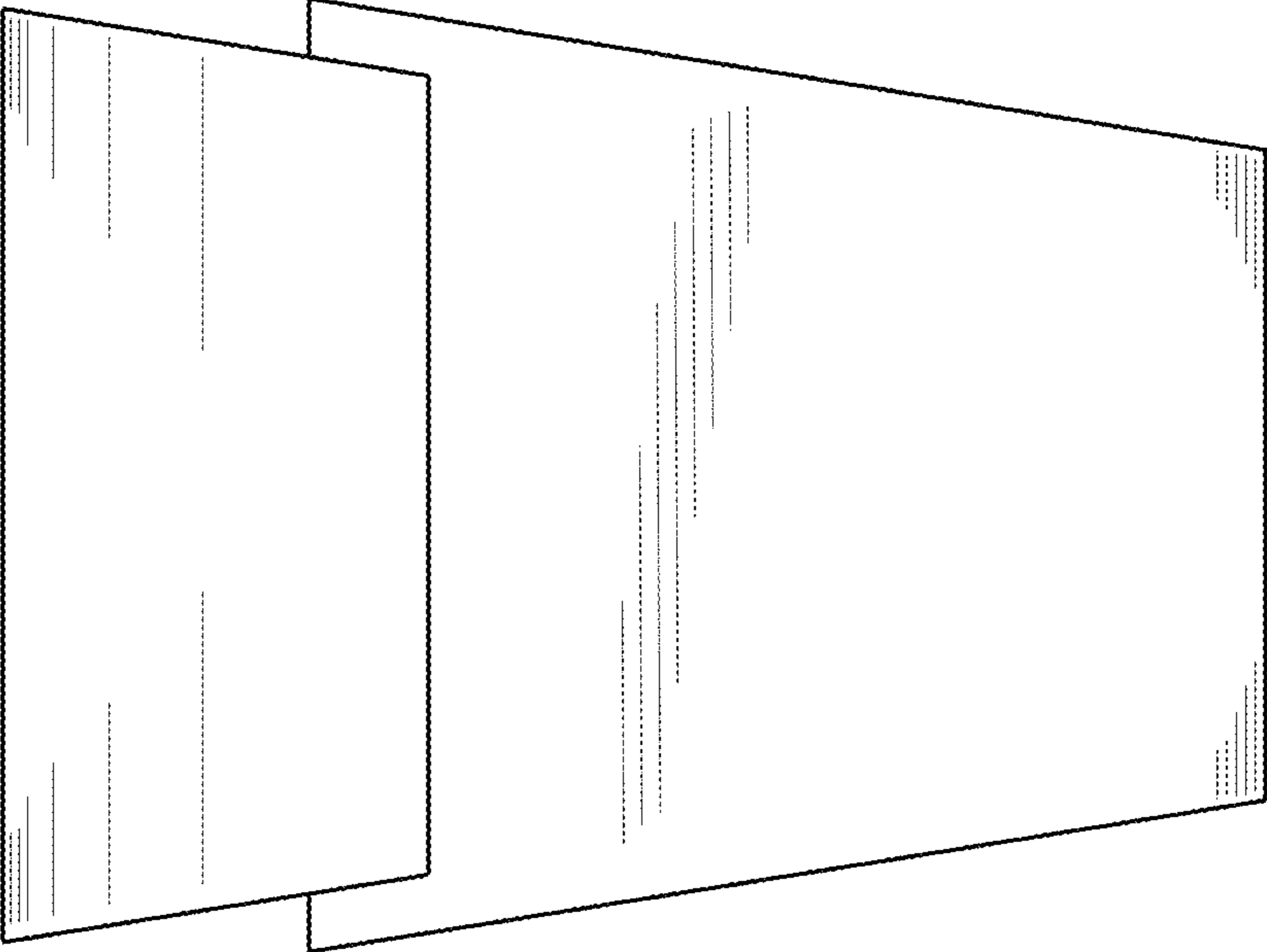


FIG. 3

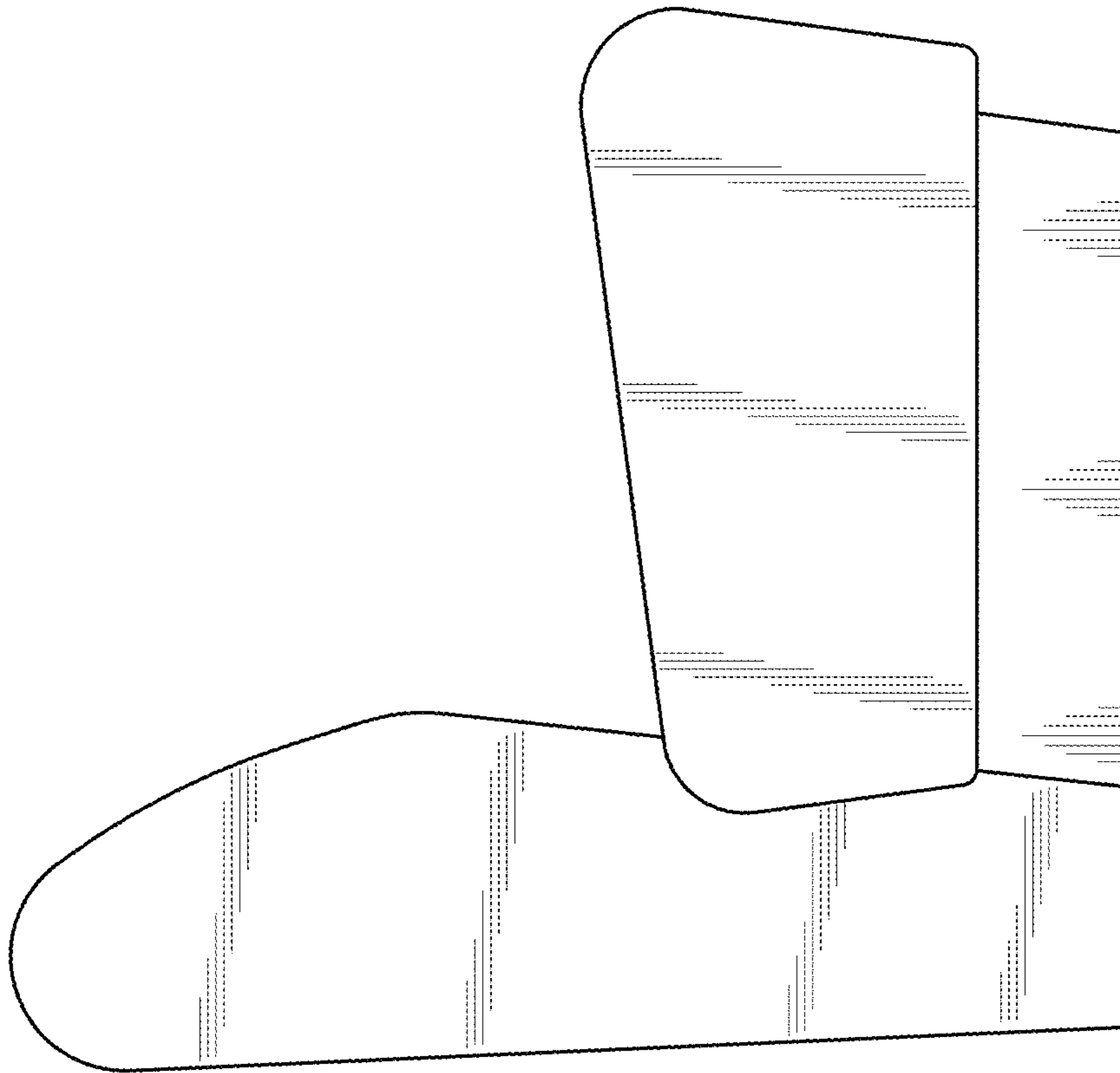


FIG. 4

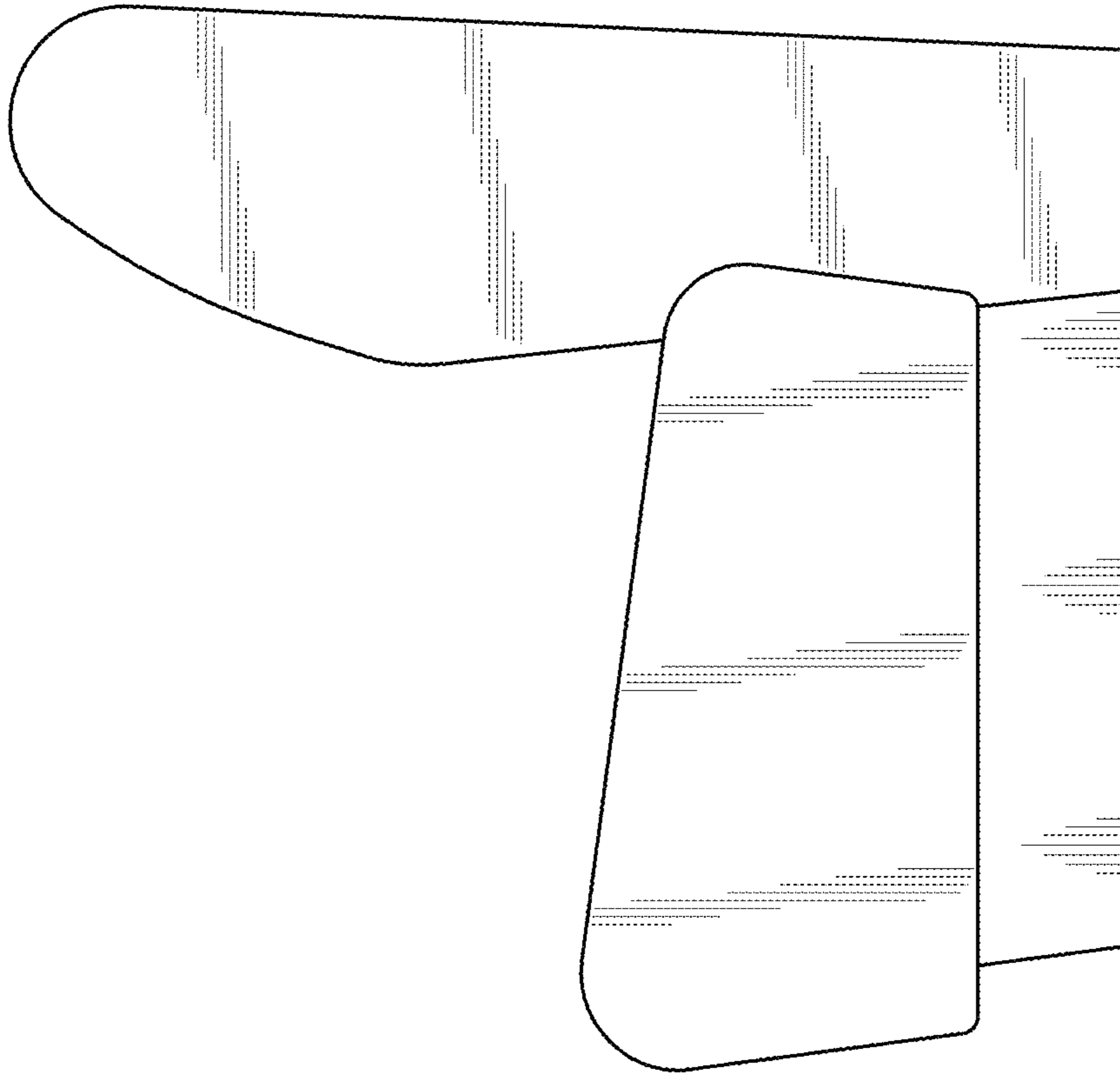


FIG. 5

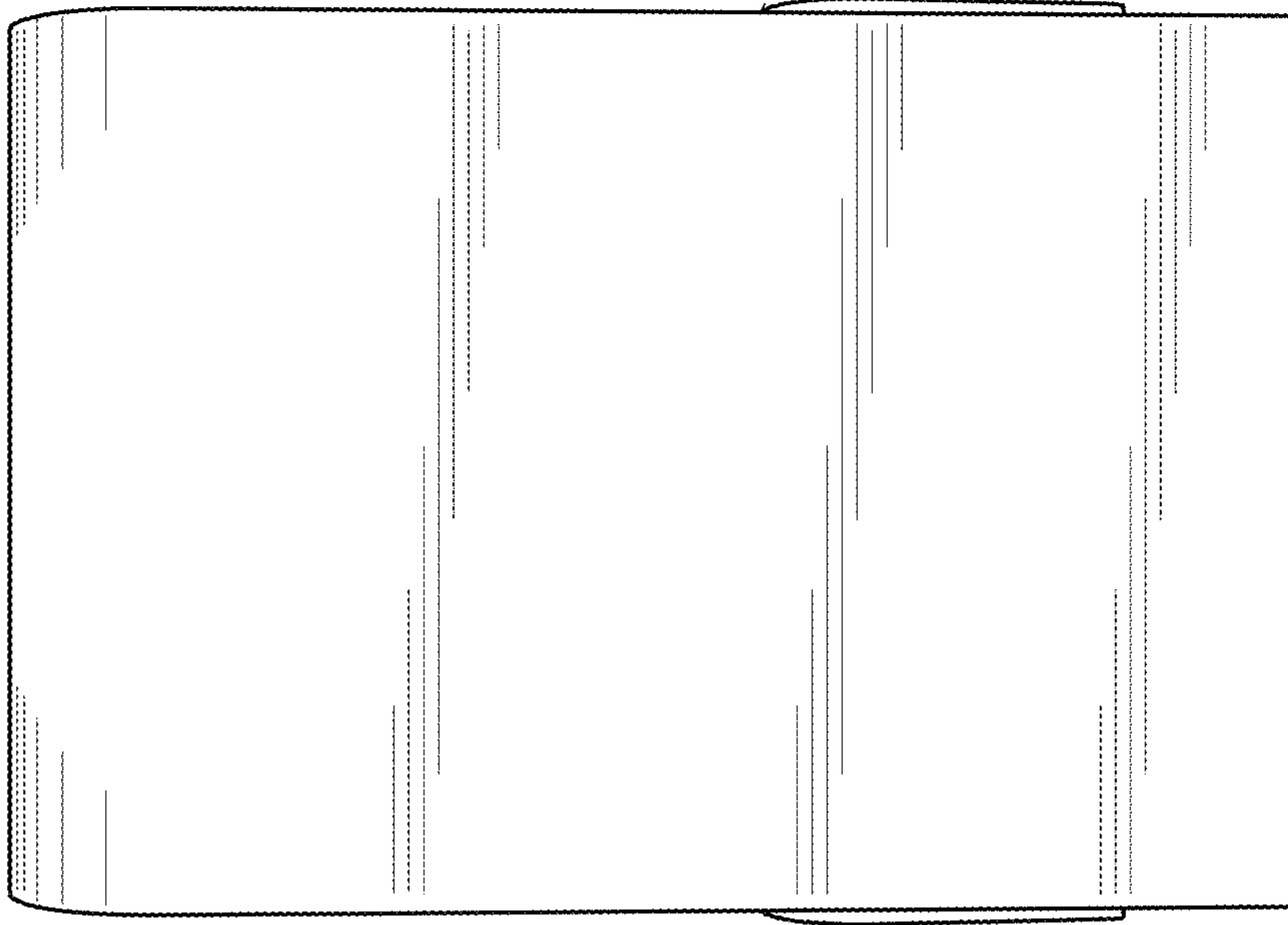


FIG. 7

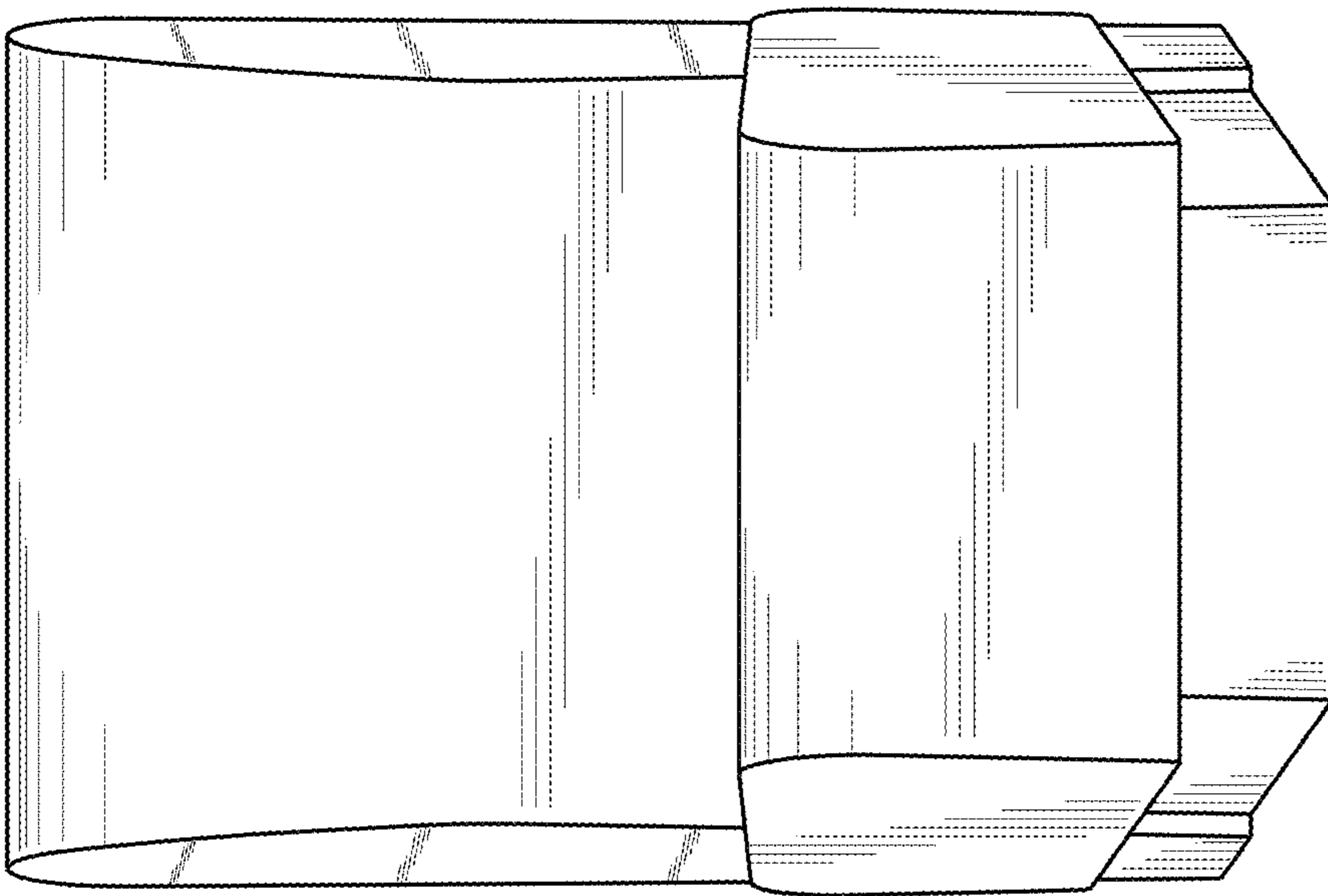


FIG. 6