



US00D816359S

(12) **United States Design Patent** (10) **Patent No.:** **US D816,359 S**  
**Bendtzen** (45) **Date of Patent:** **\*\* May 1, 2018**

(54) **LOW BAR CHAIR**

A47C 7/52; A47C 7/50; A47C 9/00;  
A47C 9/007

(71) Applicant: **ScanCom International A/S**, Korsør  
(DK)

See application file for complete search history.

(72) Inventor: **Niels Bøje Bendtzen**, Korsør (DK)

(56) **References Cited**

(73) Assignee: **ScanCom International A/S**, Korsør  
(DK)

U.S. PATENT DOCUMENTS

D166,397 S \* 4/1952 Komai ..... 297/452.1  
D182,790 S \* 5/1958 Cohen ..... 297/445.1  
2,893,469 A \* 7/1959 Eames ..... A47C 1/124  
297/239

(\*\*) Term: **15 Years**

(Continued)

(21) Appl. No.: **29/572,695**

FOREIGN PATENT DOCUMENTS

(22) Filed: **Jul. 29, 2016**

EM 002533778-0004 9/2014  
EM 003168418-0001 6/2016

(Continued)

(30) **Foreign Application Priority Data**

Apr. 30, 2016 (EM) ..... 003102102-0001

(51) **LOC (11) Cl.** ..... **06-01**

(52) **U.S. Cl.**

USPC ..... **D6/360**

(58) **Field of Classification Search**

USPC ..... D6/334, 336, 344, 345, 348-350, 352,  
D6/353, 355, 358, 360, 368-371, 373,  
D6/375, 379-381, 677, 692.3, 708,  
D6/708.16, 717, 364; D11/184;  
D21/521; D23/292

CPC ..... A47D 1/00; A01M 31/02; Y10S 297/02;  
A47C 1/12; A47C 1/124; A47C 3/00;  
A47C 3/04; A47C 3/12; A47C 3/14;  
A47C 3/16; A47C 3/18; A47C 3/20;  
A47C 3/34; A47C 4/02; A47C 4/03;  
A47C 4/38; A47C 4/10; A47C 4/24;  
A47C 4/045; A47C 4/286; A47C 5/06;  
A47C 5/04; A47C 5/12; A47C 5/043;  
A47C 7/00; A47C 7/16; A47C 7/002;  
A47C 7/445; A47C 7/448; A47C 7/506;

OTHER PUBLICATIONS

“Set of 2—Pyramid Dining Side Bar Stool (Multiple Colors) by Modway Furniture” Apr. 29, 2015, anamack.com, site visited Aug. 1, 2017. <http://anamack.com/index.php/dining-room/bar-and-counter-stools.html>.\*

*Primary Examiner* — Kevin K Rudzinski

*Assistant Examiner* — Paul D Bohannon

(74) *Attorney, Agent, or Firm* — Baker & Hostetler LLP

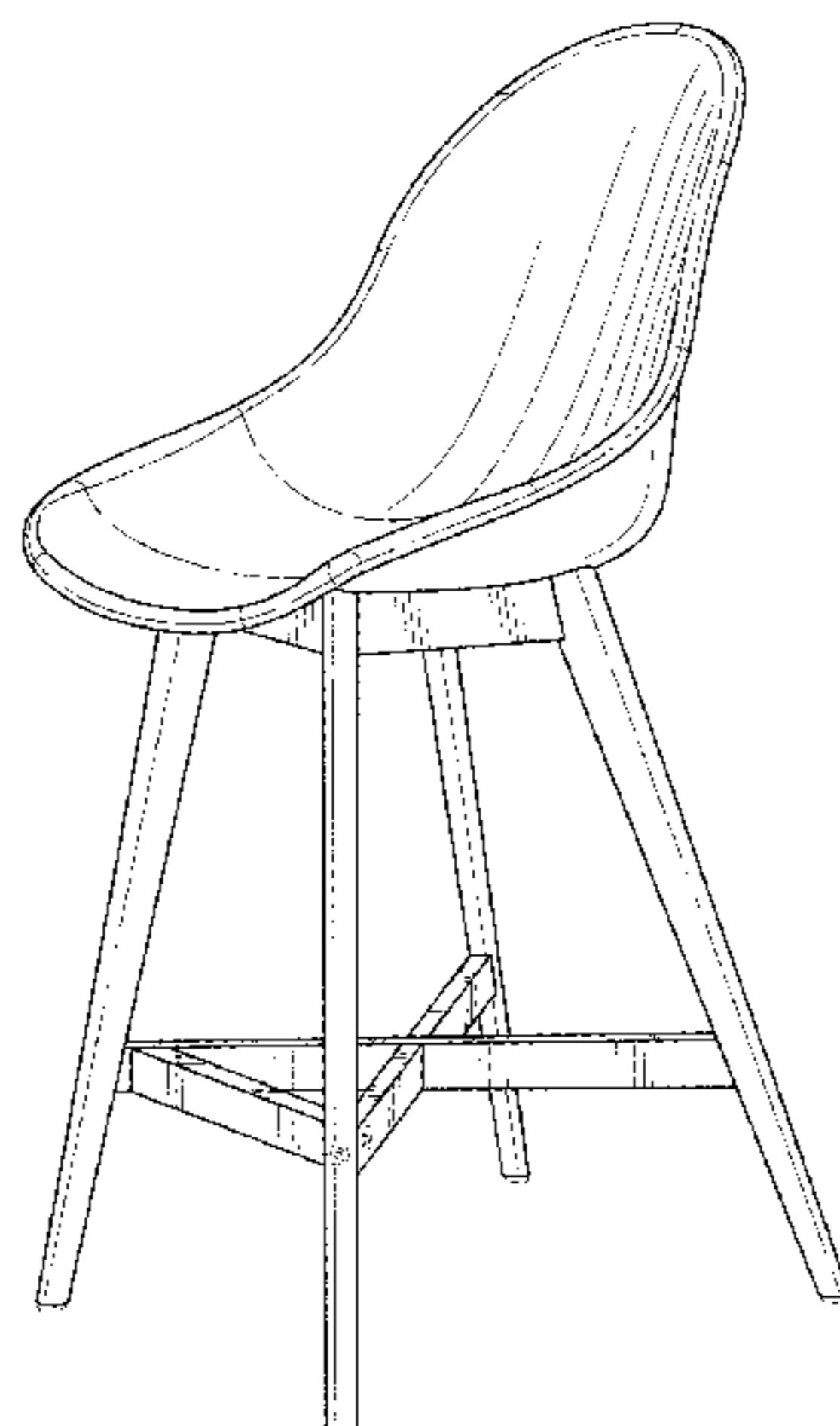
(57) **CLAIM**

I claim the ornamental design for a low bar chair, as shown and described herein.

**DESCRIPTION**

FIG. 1 is a perspective view of the low bar chair showing my new design;  
FIG. 2 is a front view thereof;  
FIG. 3 is a back view thereof;  
FIG. 4 is a left side elevation view thereof;  
FIG. 5 is a right side elevation view thereof;  
FIG. 6 is a top plan view thereof; and,  
FIG. 7 is a bottom plan view thereof.

(Continued)



The broken line showing of portions of the low bar chair is for the purpose of illustrating portions of the article and forms no part of the claimed design.

**1 Claim, 6 Drawing Sheets**

(56)

**References Cited**

U.S. PATENT DOCUMENTS

2,980,454 A \* 4/1961 Thaden ..... A47C 1/124  
297/248  
3,123,399 A \* 3/1964 Wilson ..... A47C 1/124  
297/239  
3,144,271 A \* 8/1964 Lieberman ..... A47C 3/04  
297/239  
3,197,165 A \* 7/1965 Gits ..... A47C 3/12  
248/188.7  
3,201,172 A \* 8/1965 Bliss ..... A47C 3/12  
297/239  
3,261,640 A \* 7/1966 Straits ..... A47C 1/12  
297/119  
3,278,227 A \* 10/1966 Rowland ..... A47C 1/124  
297/239

3,393,941 A \* 7/1968 Grosfillex ..... A47C 3/12  
297/440.22  
3,695,693 A \* 10/1972 Acton ..... A47C 7/002  
297/239  
3,734,561 A \* 5/1973 Barecki ..... A47C 3/00  
297/239  
D227,956 S \* 7/1973 Sundberg ..... D6/373  
D249,989 S \* 10/1978 Radaelli ..... D6/373  
D258,853 S \* 4/1981 Zola ..... D6/379  
5,018,788 A \* 5/1991 Cedergreen ..... A47C 3/16  
297/378.1  
7,384,097 B2 \* 6/2008 Park ..... A47C 4/286  
297/16.1  
D592,873 S \* 5/2009 Olano Jauregui ..... D6/373  
D666,015 S \* 8/2012 Morrison ..... D6/360  
D719,365 S \* 12/2014 Adams ..... D6/360  
D764,849 S \* 8/2016 Piretti ..... D6/380  
D778,657 S \* 2/2017 Morrison ..... D6/373  
2012/0098313 A1 \* 4/2012 Cartis ..... A47C 7/448  
297/354.12

FOREIGN PATENT DOCUMENTS

EM 003169226-0001 6/2016  
EM 003345453-0001 8/2016

\* cited by examiner

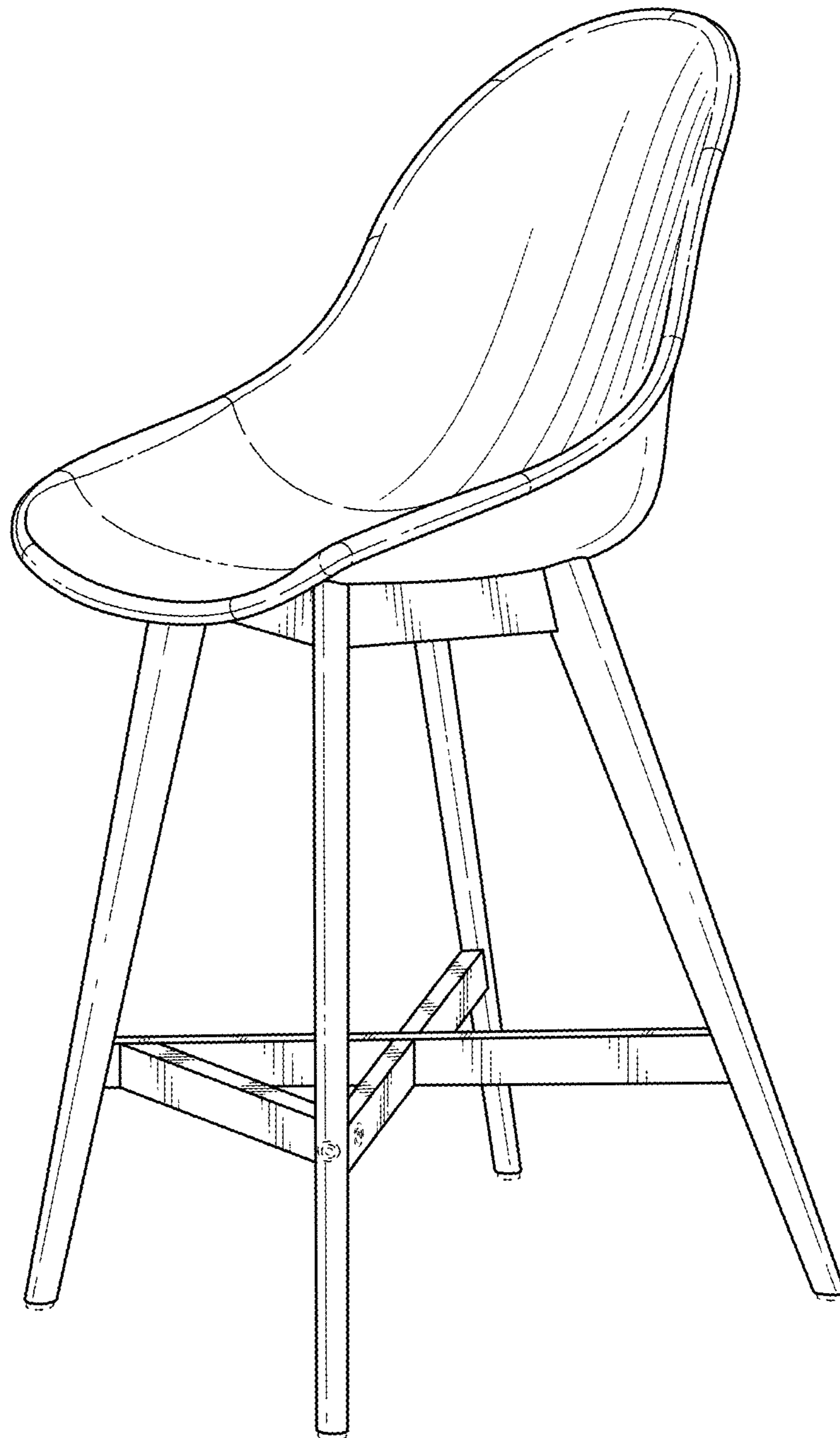


FIG. 1

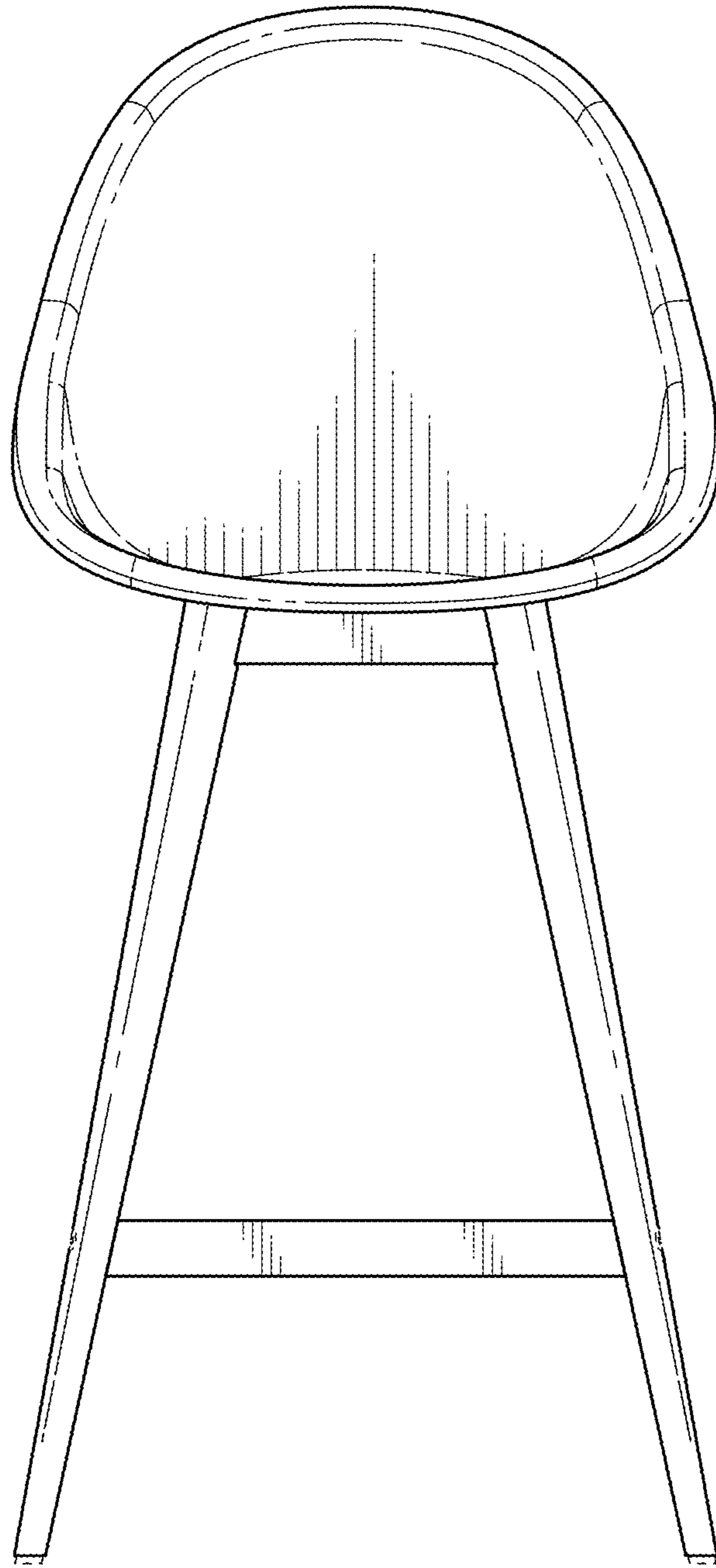


FIG. 2

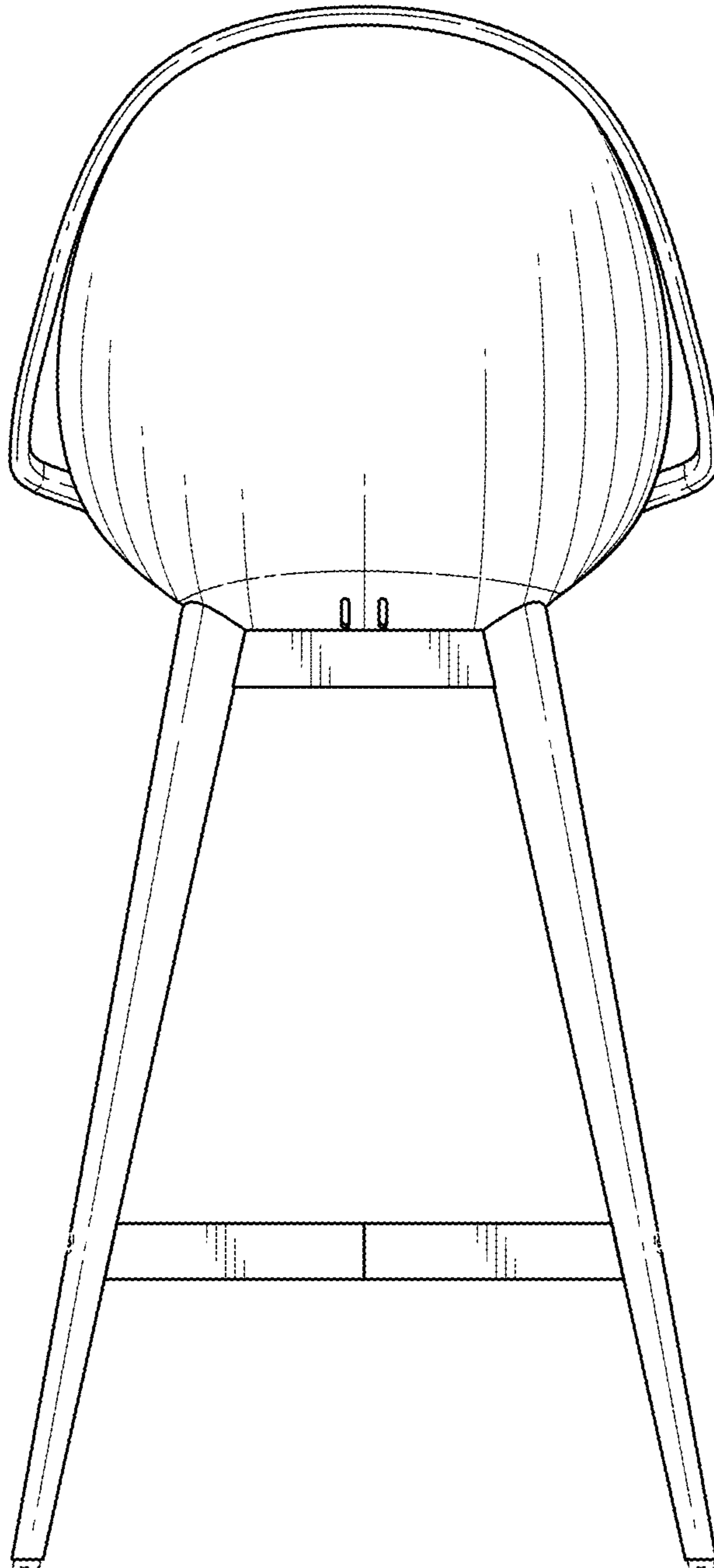


FIG. 3

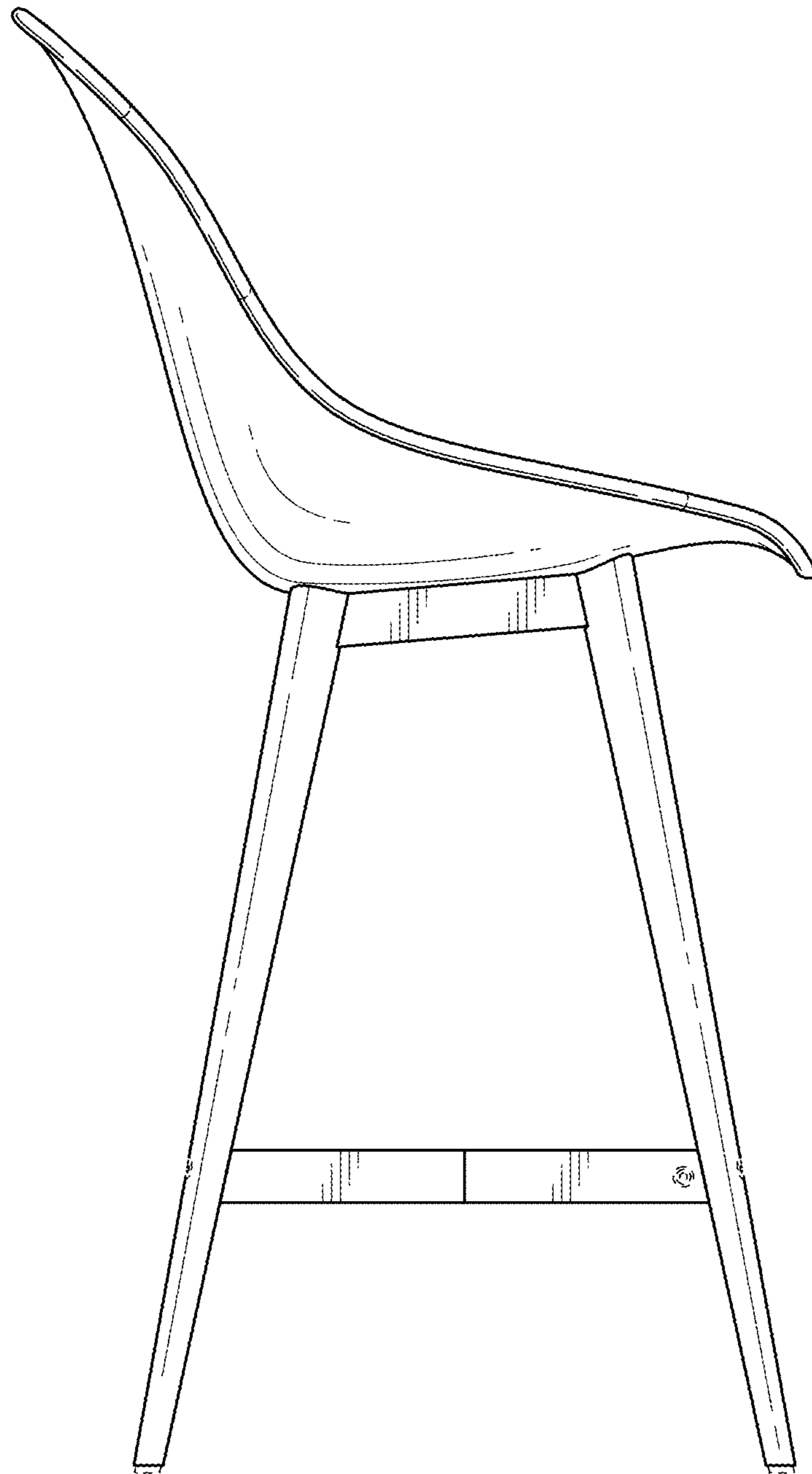


FIG. 4

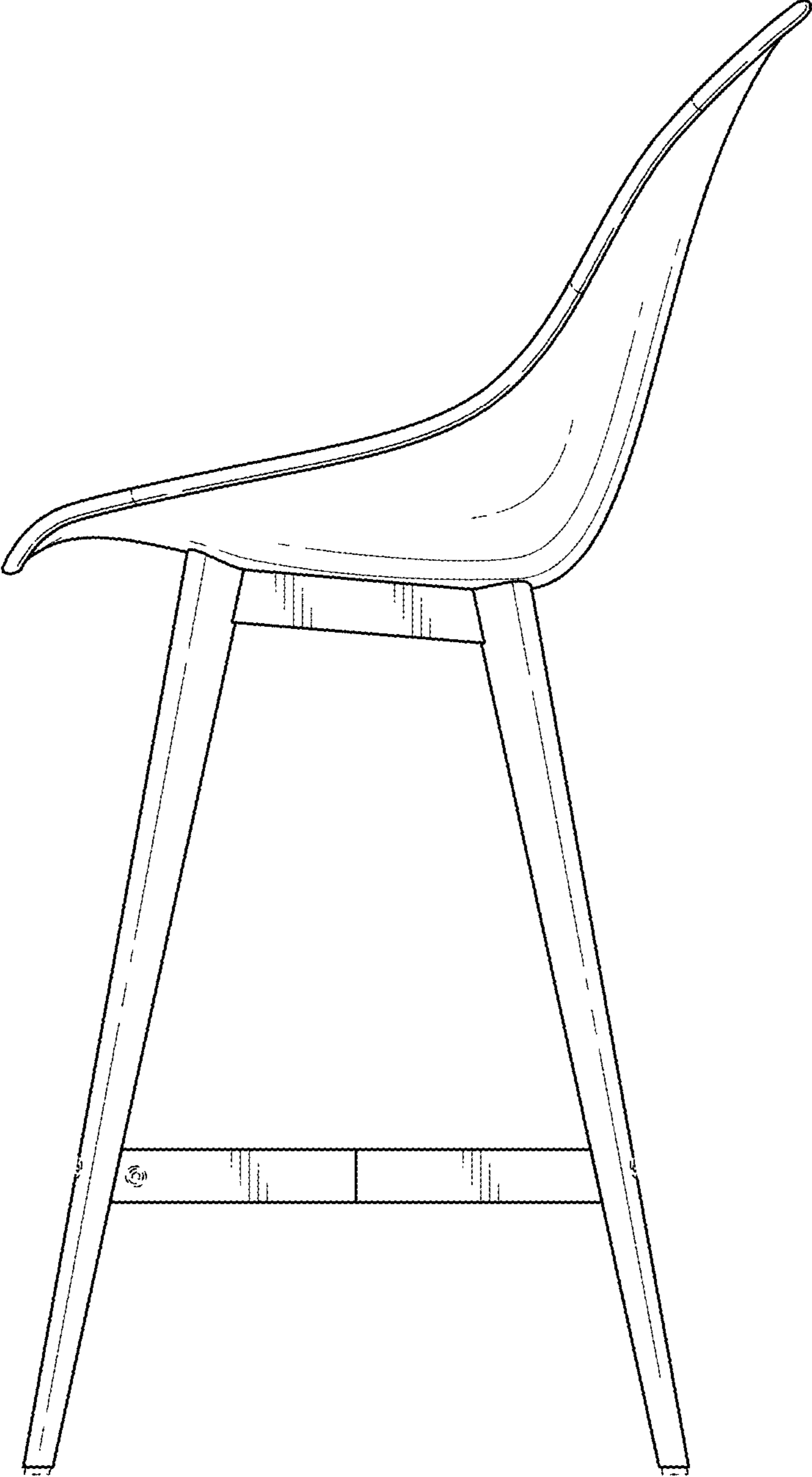


FIG. 5

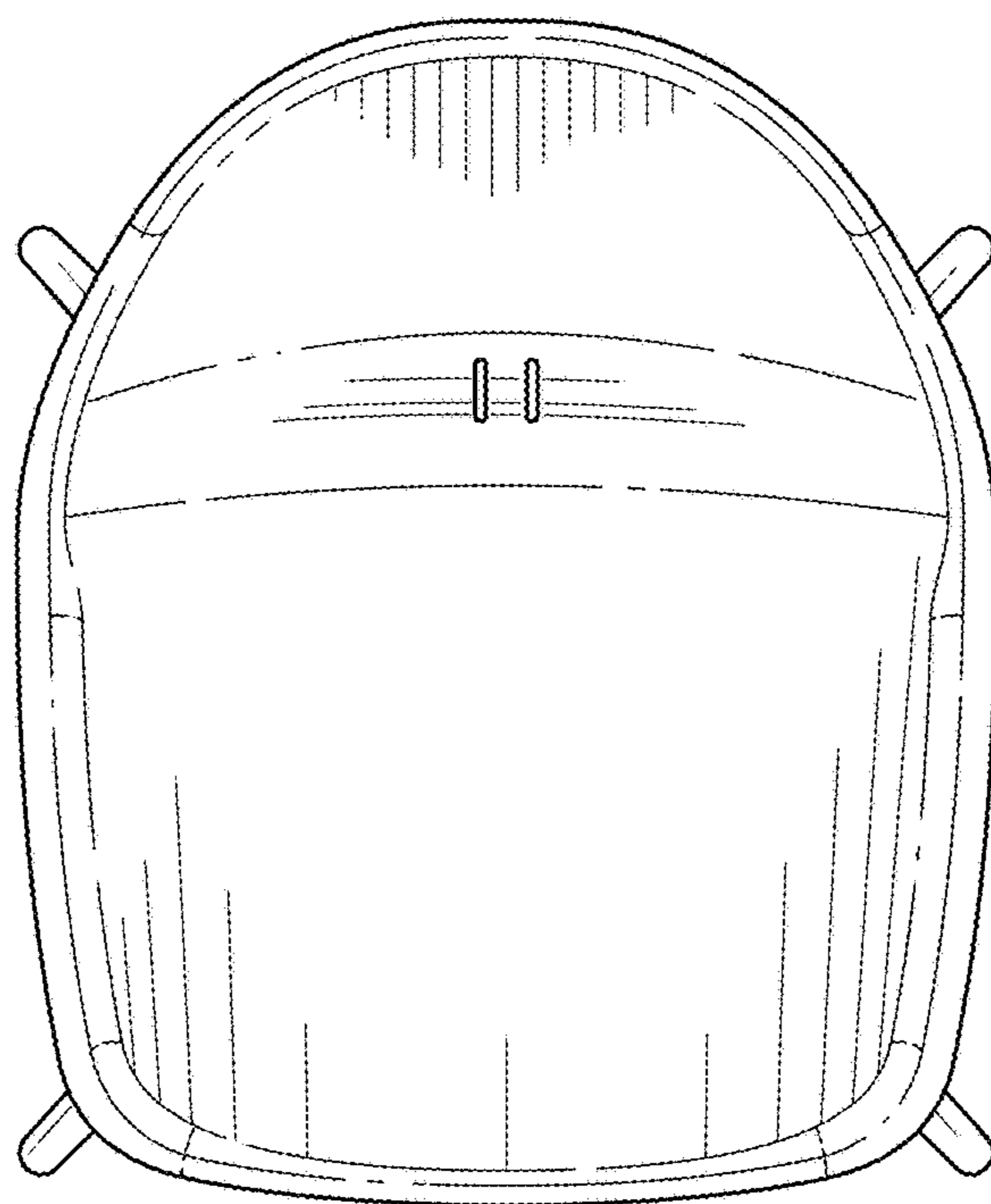


FIG. 6

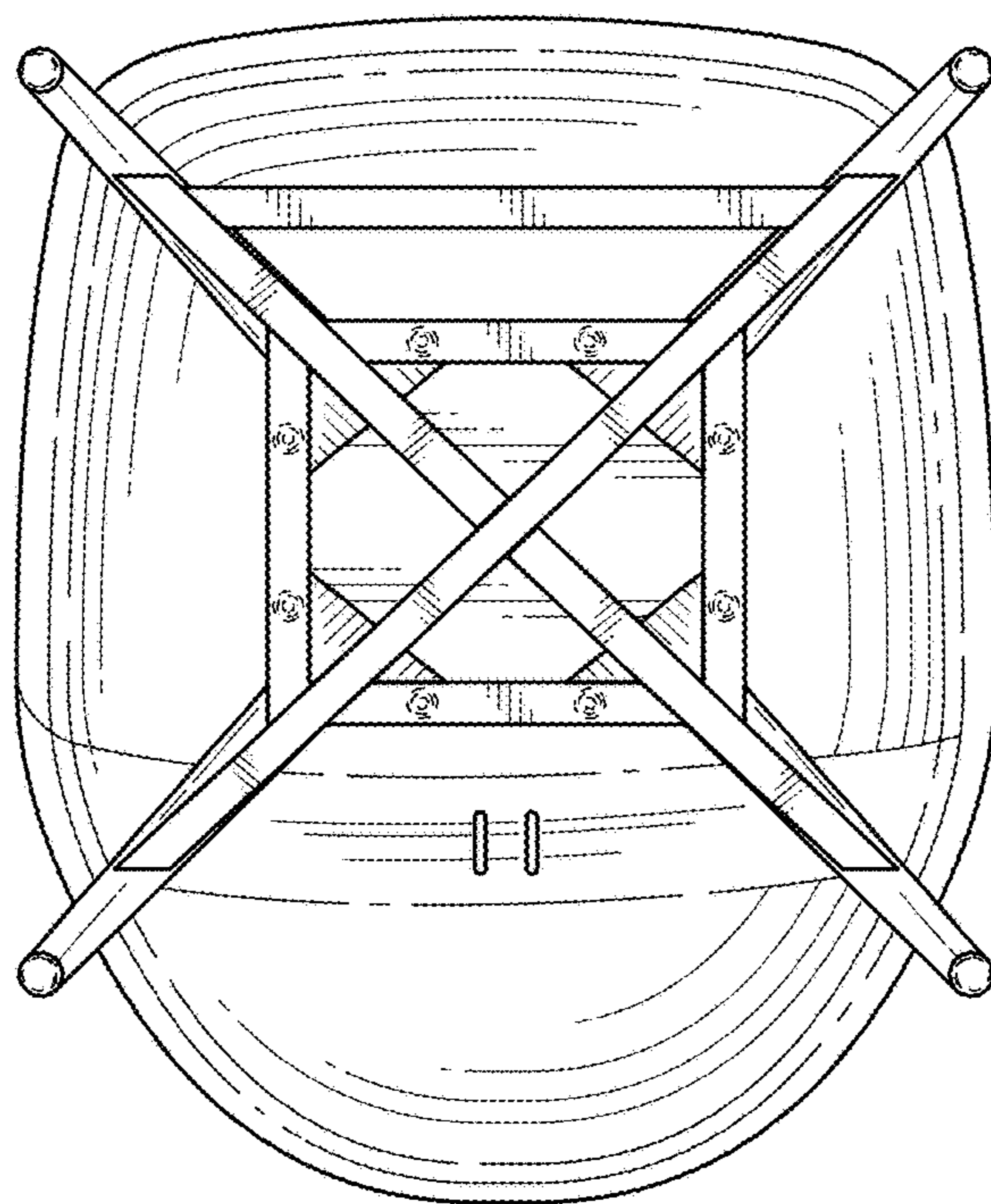


FIG. 7