



US00D816354S

(12) **United States Design Patent** (10) **Patent No.:** **US D816,354 S**
Richardson (45) **Date of Patent:** **** May 1, 2018**

- (54) **WEARABLE GEAR HOLDER**
- (71) Applicant: **Edward Richie Customs, L.L.C.**,
Orem, UT (US)
- (72) Inventor: **Steven Edward Richardson**, Orem, UT
(US)
- (73) Assignee: **Edward Richie Customs, L.L.C.**,
Orem, UT (US)

(**) Term: **15 Years**

(21) Appl. No.: **29/589,803**

(22) Filed: **Jan. 4, 2017**

(51) **LOC (11) Cl.** **06-08**

(52) **U.S. Cl.**
USPC **D6/323**; D8/372; D6/317

(58) **Field of Classification Search**
USPC D6/315–328, 681.3; 223/85–98; 211/1,
211/13.1, 32, 85.3, 113; D8/367, 370,
D8/371, 372, 373, 380; 248/211, 215,
248/227.1, 227.2, 251, 253, 255, 256,
248/257, 258, 259, 301, 304, 323, 324,
248/339, 690
CPC A47G 25/32; A47G 25/28; A47G 25/743;
A47G 25/746; A47G 29/083; A47G
25/06; A47G 25/0607; A47G 25/10;
A47G 25/38; A47G 29/08; A47G 1/17;
A47G 7/044; A47G 29/00
See application file for complete search history.

(56) **References Cited**

U.S. PATENT DOCUMENTS

- D25,282 S * 3/1896 Beardsley D12/115
- D47,359 S * 5/1915 Fetzer D6/323
- D126,709 S * 4/1941 Warren D6/323

- D322,388 S * 12/1991 Hoskinson D8/367
- D326,564 S * 6/1992 Emery D6/317
- D327,641 S * 7/1992 Hoskinson D8/367
- D330,290 S * 10/1992 Edwards D6/323
- D401,462 S * 11/1998 Paikos D6/566
- D414,968 S * 10/1999 Thurston-Chartraw D6/514
- D432,316 S * 10/2000 Duggan D6/317
- D447,047 S * 8/2001 Clifford D8/349
- D518,706 S * 4/2006 Hui D8/376
- D577,576 S * 9/2008 Ernst D8/373
- D613,587 S * 4/2010 Goodman D8/367

* cited by examiner

Primary Examiner — Derrick E Holland

Assistant Examiner — Lauren R Calve

(74) *Attorney, Agent, or Firm* — Thorpe North &
Western, LLP; David W. Osborne

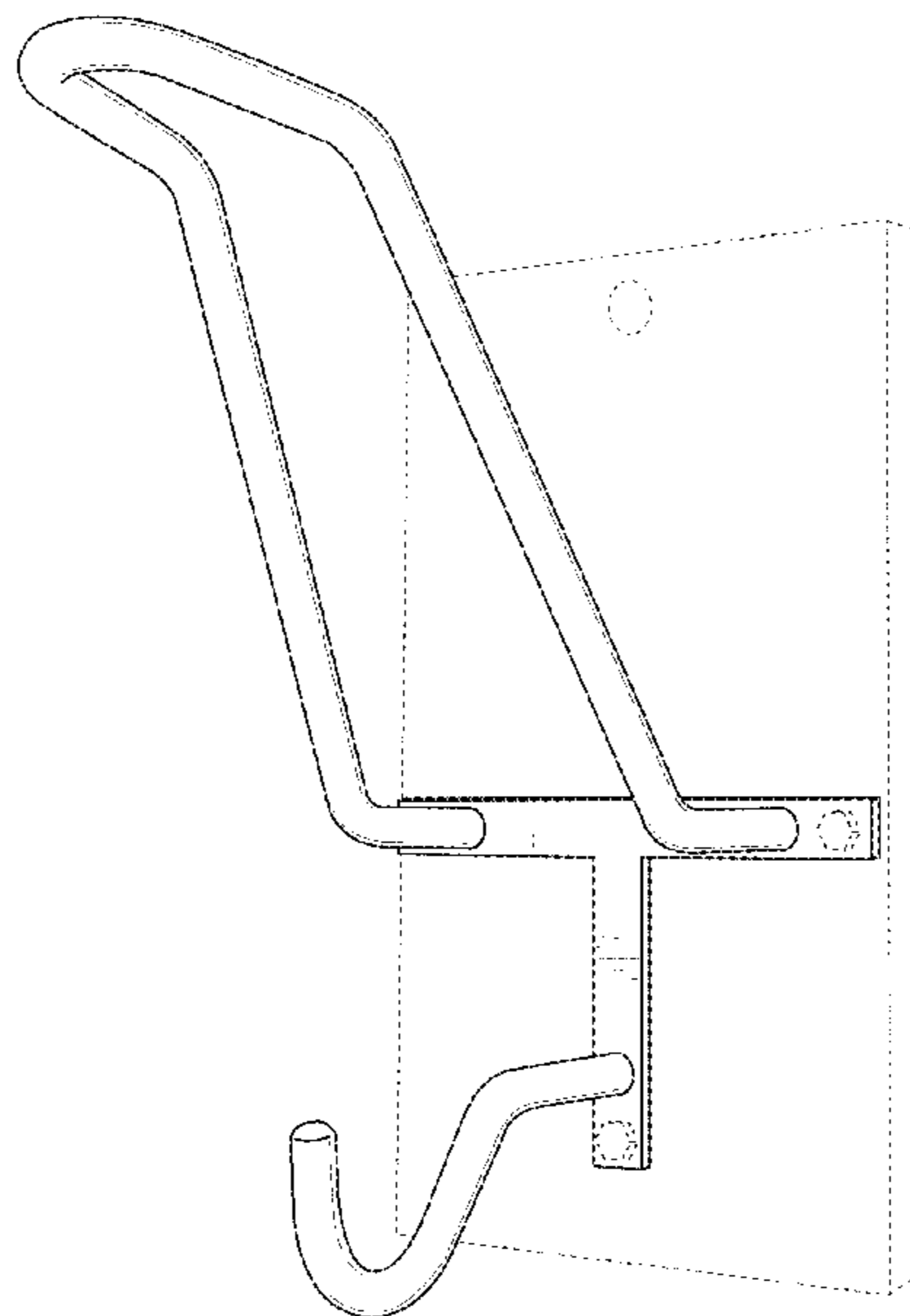
(57) **CLAIM**

The ornamental design for a wearable gear holder, as shown and described.

DESCRIPTION

FIG. 1 is a perspective view of a wearable gear holder in accordance with my invention;
FIG. 2 is a top view thereof;
FIG. 3 is a bottom view thereof;
FIG. 4 is a side view thereof;
FIG. 5 is an opposite side view thereof;
FIG. 6 is a front view thereof;
FIG. 7 is a back view thereof with the back plate removed for clarity of illustration;
FIG. 8 is a back view of the wearable gear holder of FIG. 1; and,
FIG. 9 is a perspective view thereof shown in environmental use.
The broken lines shown represent unclaimed subject matter and form no part of the claimed design.

1 Claim, 8 Drawing Sheets



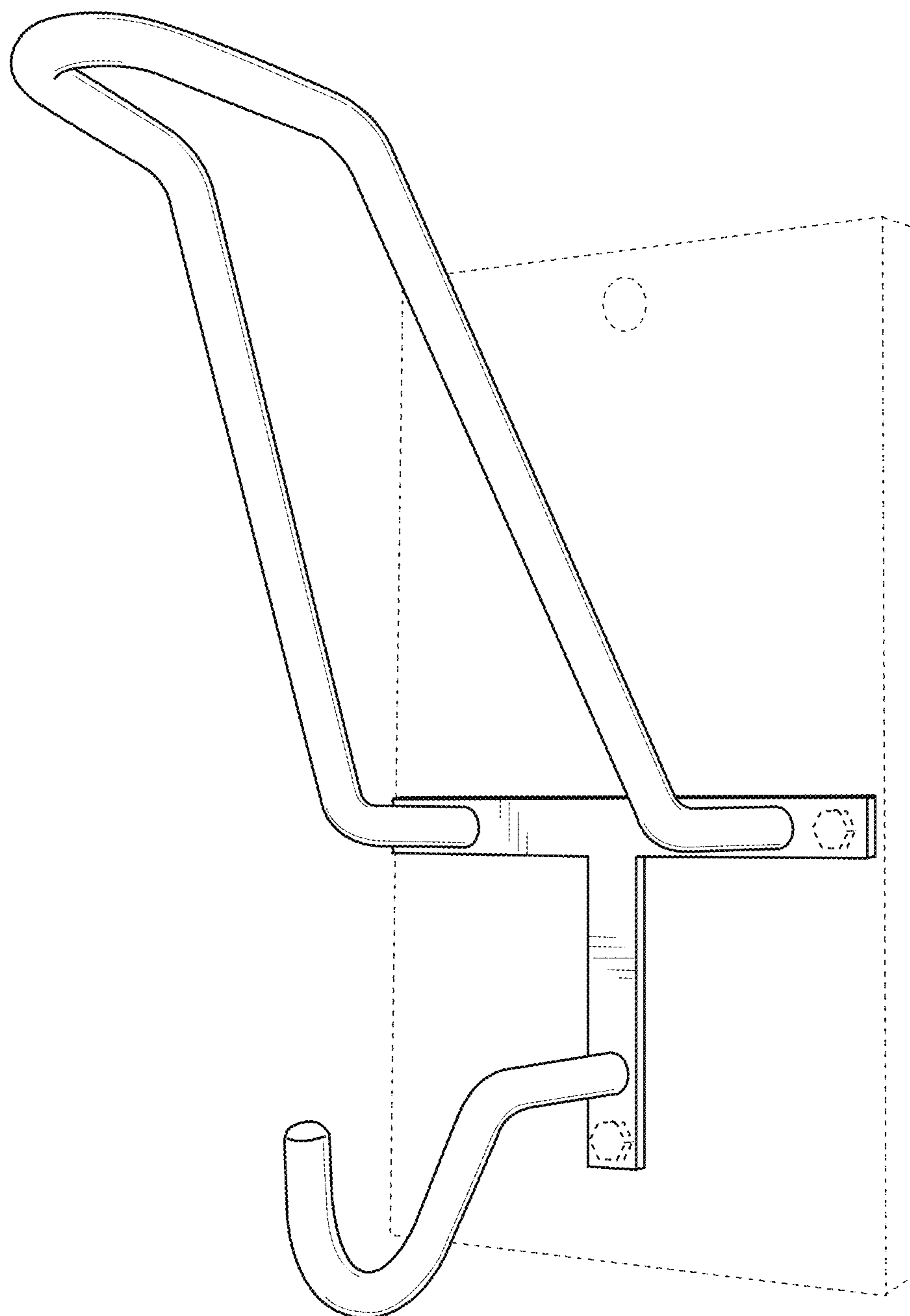


FIG. 1

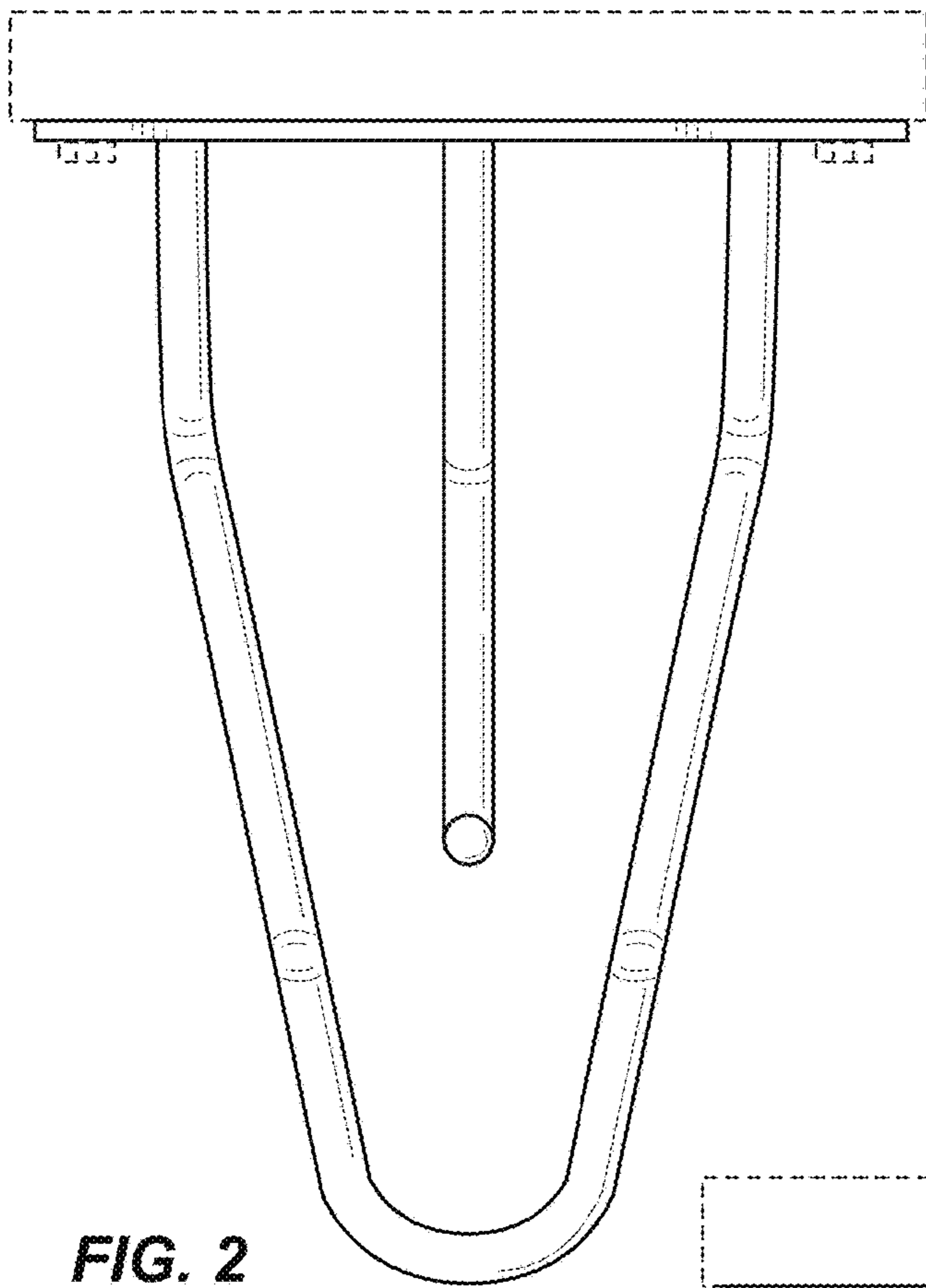


FIG. 2

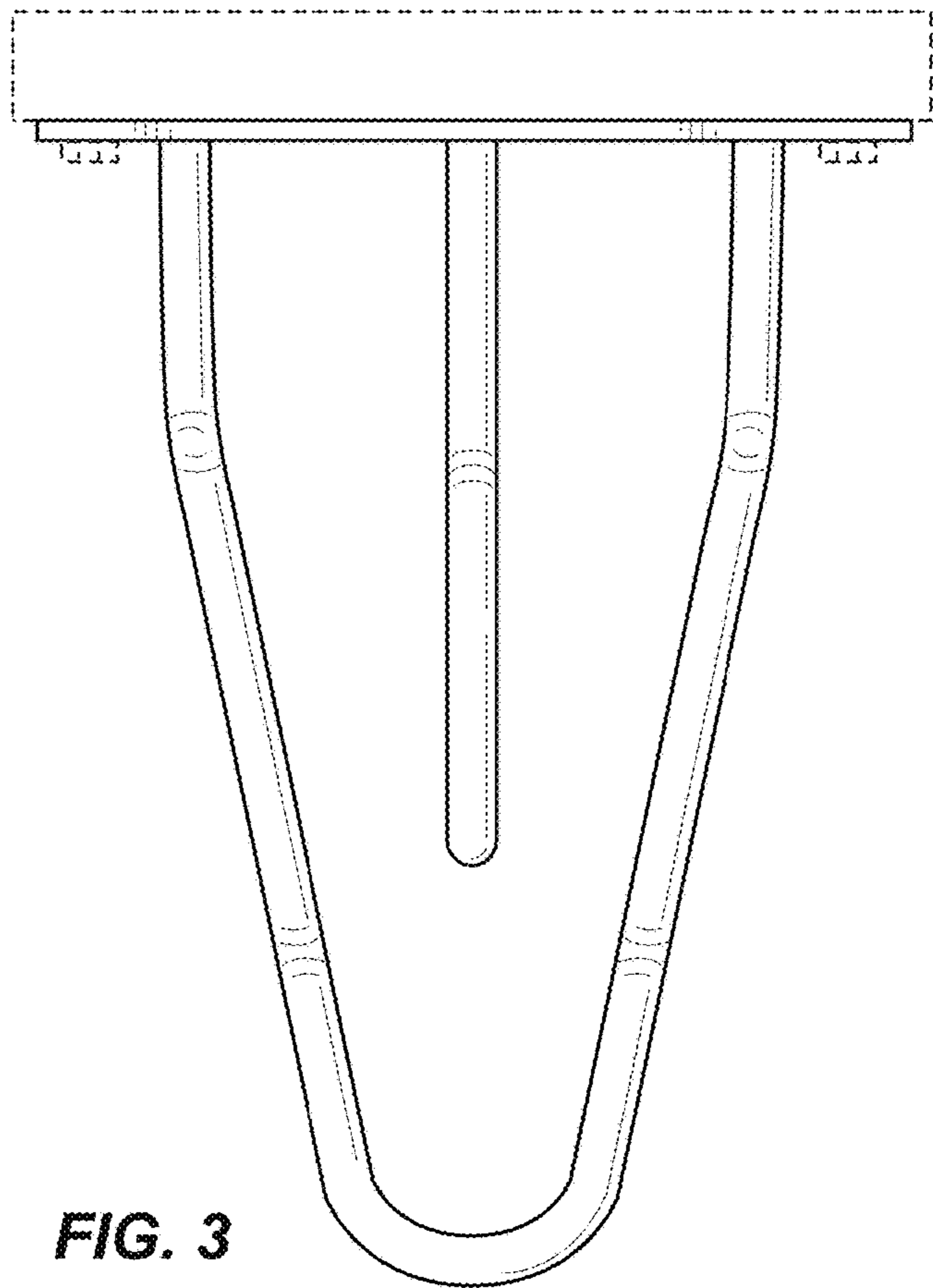


FIG. 3

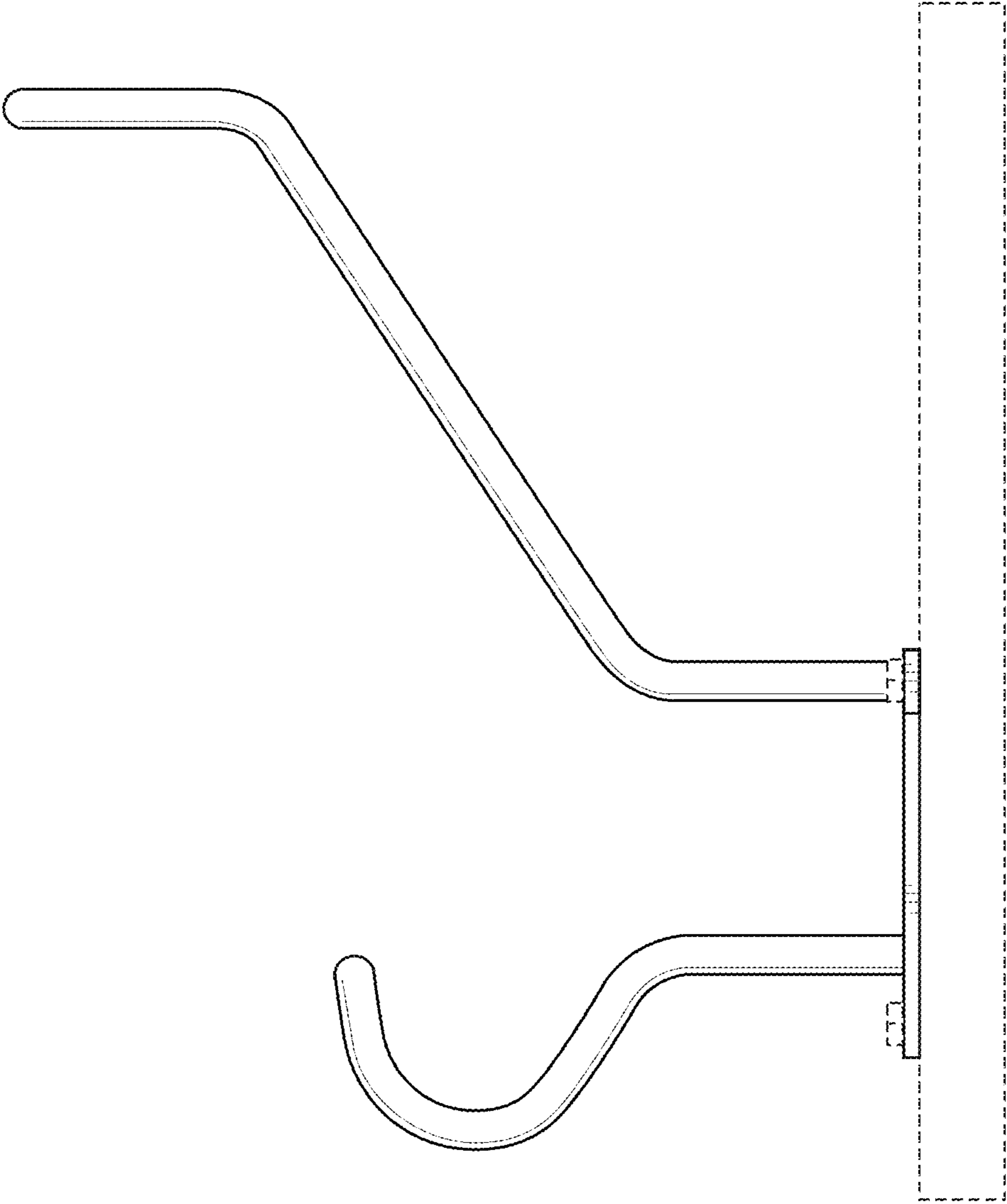


FIG. 4

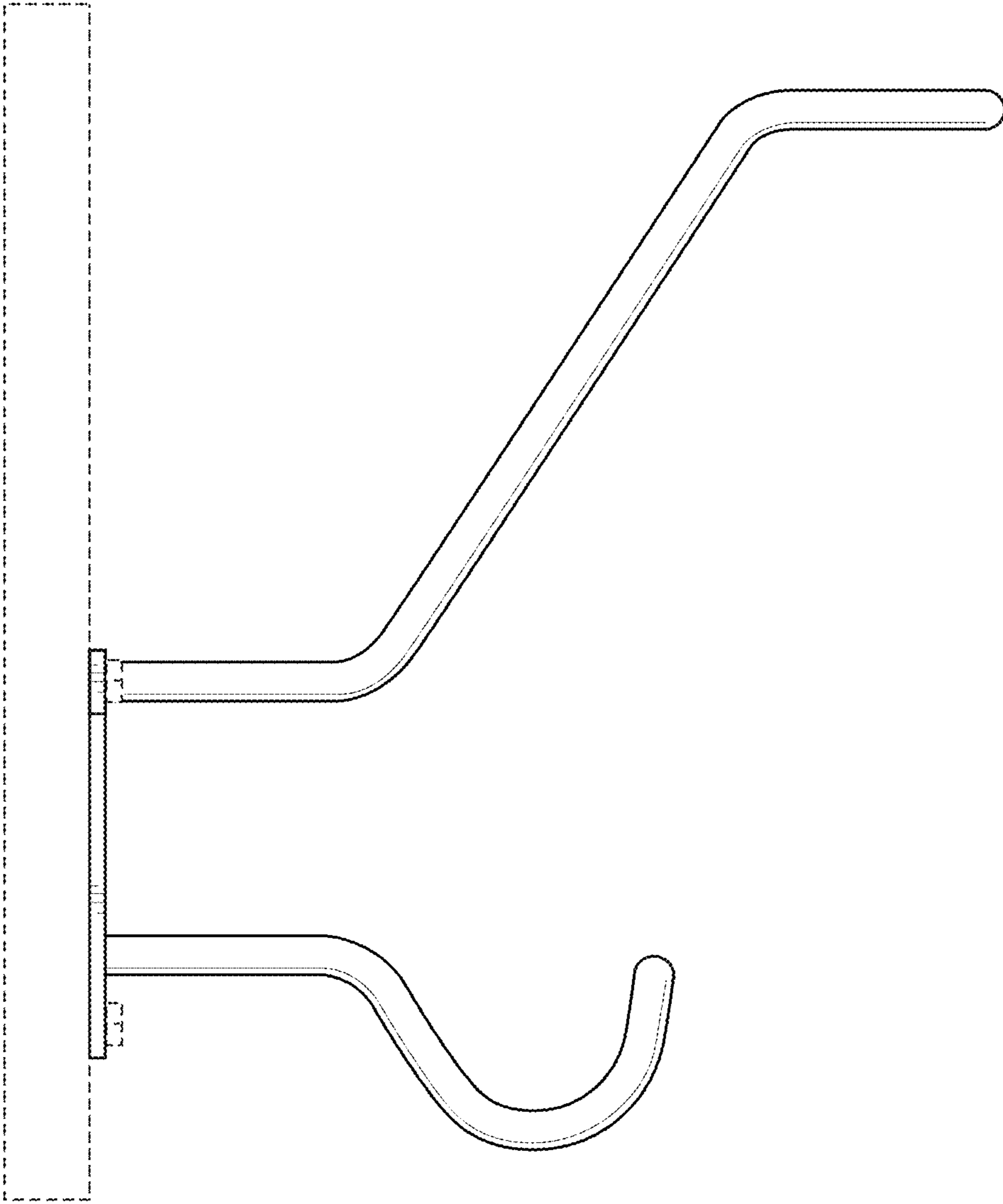


FIG. 5

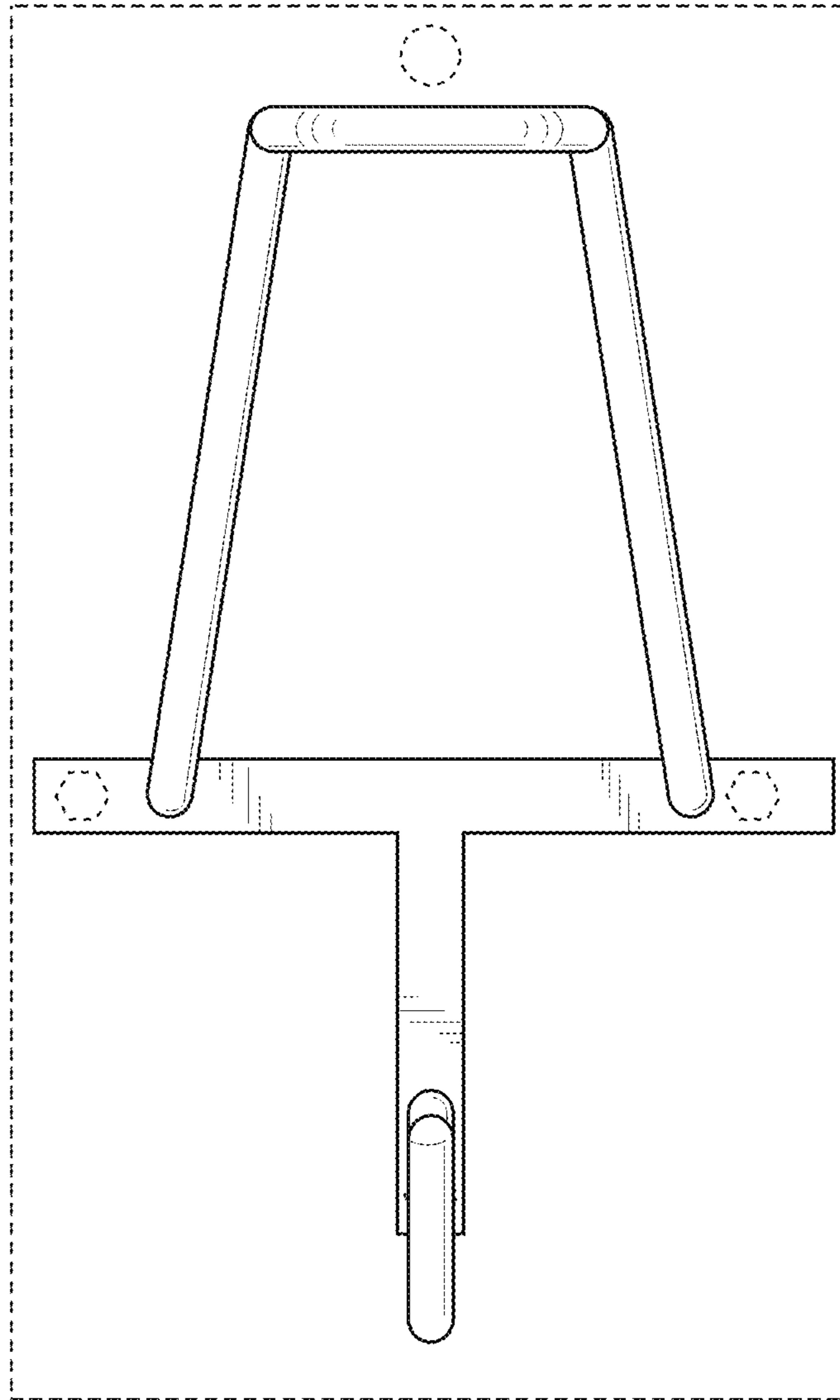


FIG. 6

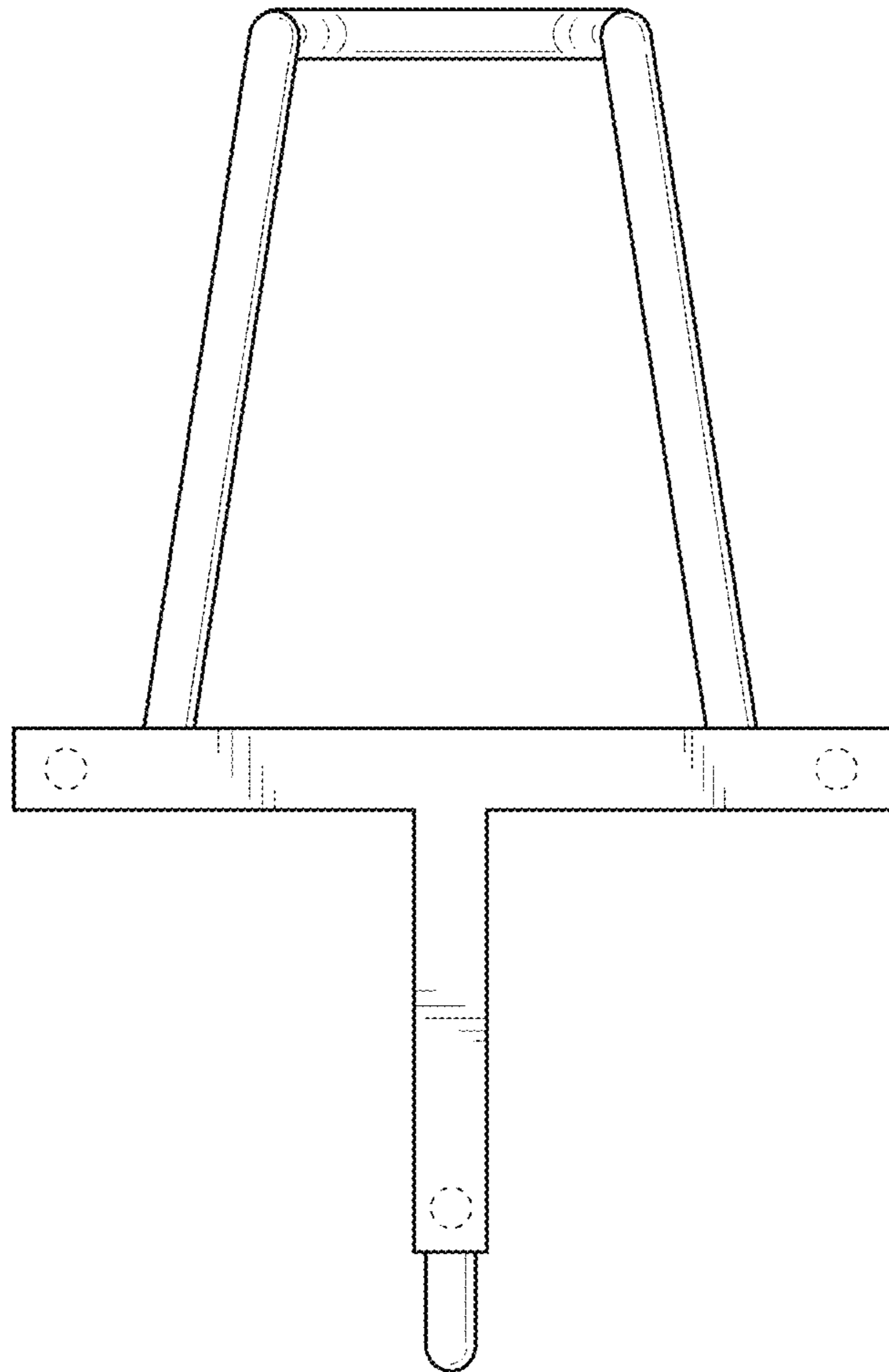


FIG. 7

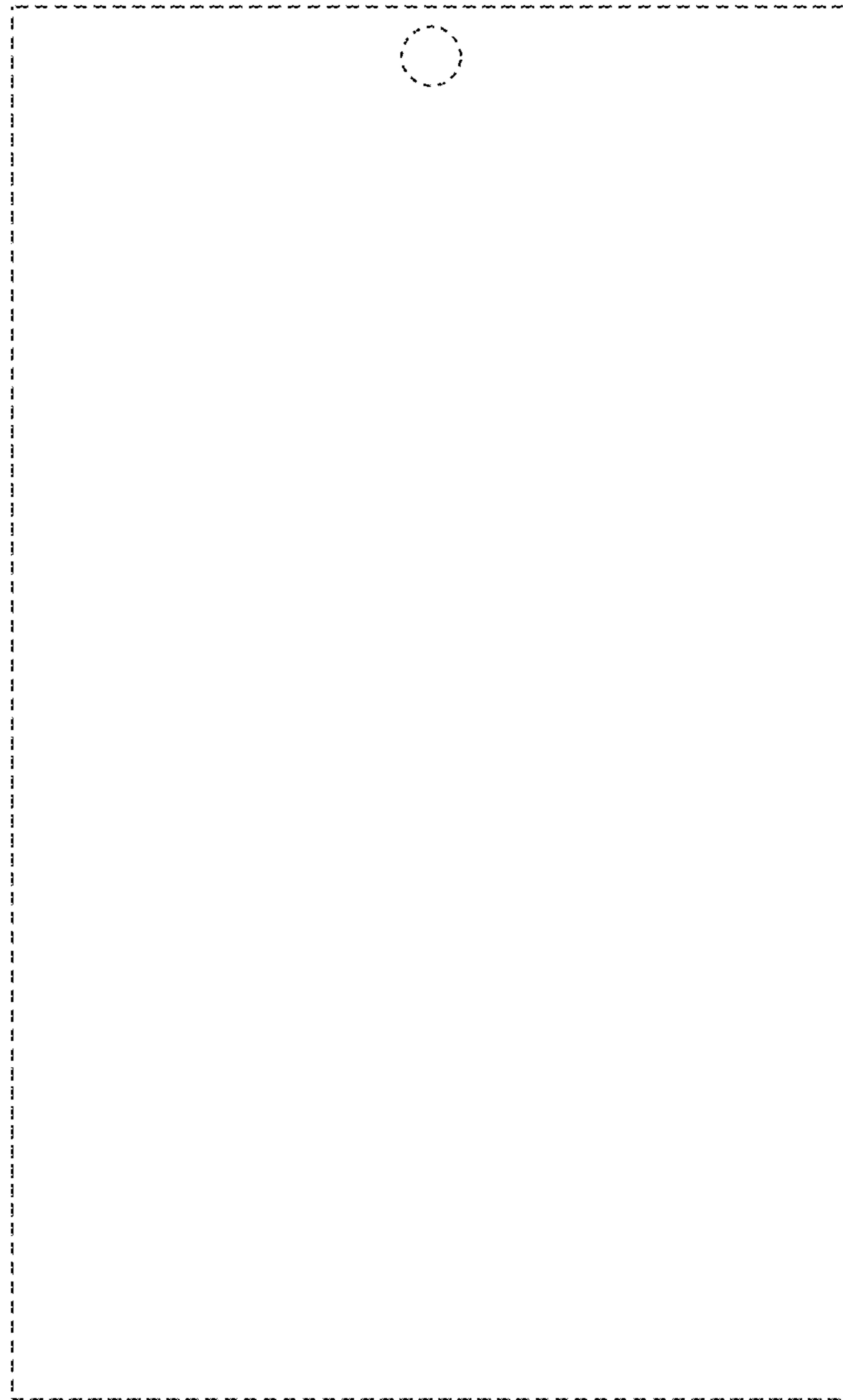


FIG. 8

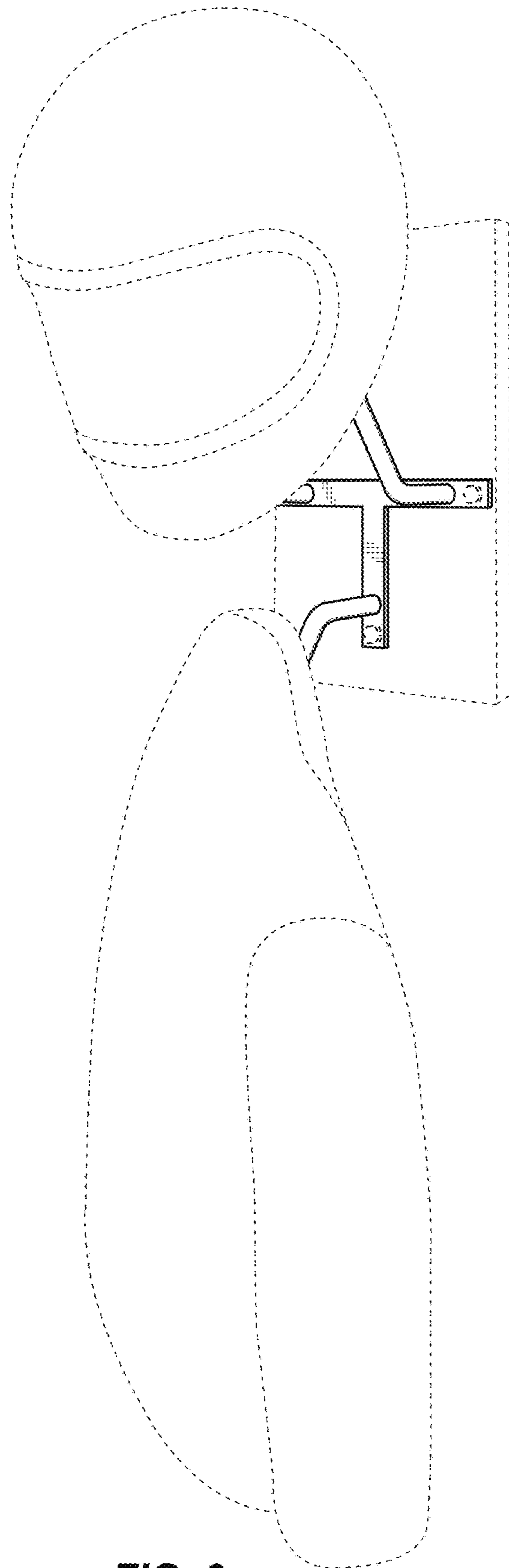


FIG. 9