



US00D816353S

(12) **United States Design Patent**
Barre et al.

(10) **Patent No.:** **US D816,353 S**
(45) **Date of Patent:** **** May 1, 2018**

- (54) **GARMENT DRYING RACK**
- (71) Applicant: **NEATFREAK GROUP INC.,**
Mississauga (CA)
- (72) Inventors: **Bertrand Barre, Lapeyrouse (FR);**
Francis Lepage, Dommartin (FR)
- (73) Assignee: **NEATFREAK GROUP INC.,**
Mississauga, Ontario (CA)
- (**) Term: **15 Years**
- (21) Appl. No.: **29/595,817**
- (22) Filed: **Mar. 2, 2017**
- (51) **LOC (11) Cl.** **06-08**
- (52) **U.S. Cl.**
USPC **D6/320; D6/513**
- (58) **Field of Classification Search**
USPC D6/315, 327, 553, 567, 566, 569, 570,
D6/571
CPC A47G 25/0685; A47G 25/0614; A47G
25/06; A47G 29/00; A47G 25/0692;
A47G 25/743; D06F 57/12; D06F 57/06;
D06F 59/02
See application file for complete search history.

- 5,645,178 A * 7/1997 Conley, Jr. A47F 5/08
211/87.01
- D715,065 S * 10/2014 Grogan D6/323
- D769,074 S * 10/2016 Tsai D28/61
- D798,067 S * 9/2017 Felsenthal D6/320
- 2009/0008350 A1* 1/2009 Van Bracht D06F 57/12
211/183
- 2014/0001135 A1* 1/2014 Bukowski D06F 57/12
211/100
- 2017/0254012 A1* 9/2017 Barre A47G 25/0614

* cited by examiner

Primary Examiner — Lauren R Calve

(74) *Attorney, Agent, or Firm* — Patzik, Frank & Samotny Ltd.

(57) **CLAIM**

The ornamental design for a garment drying rack, as shown and described.

DESCRIPTION

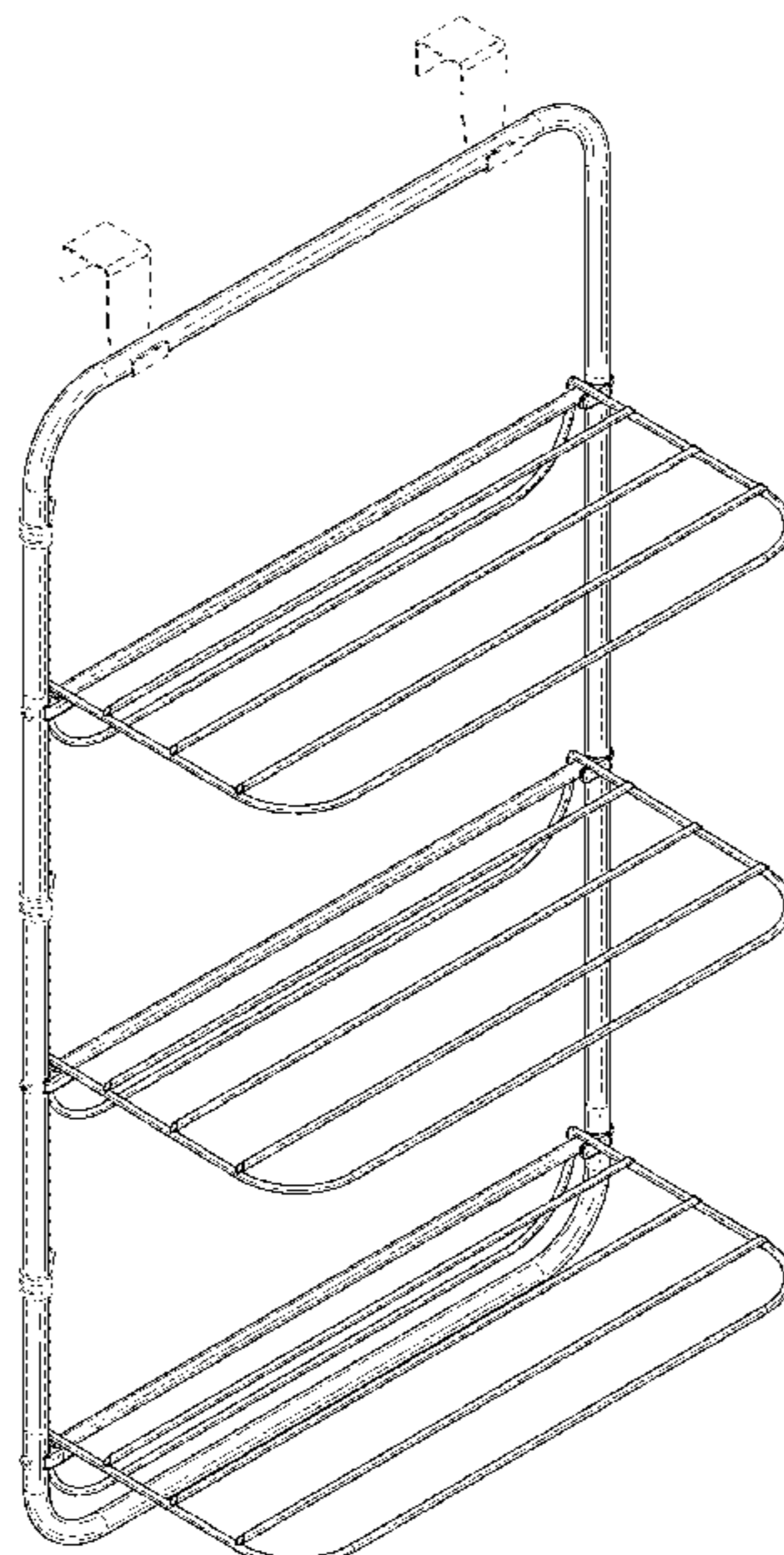
FIG. 1 is a front perspective view of a garment drying rack of the present invention;
 FIG. 2 is a front elevation view of the garment drying rack of the present invention;
 FIG. 3 is a rear elevation view of the garment drying rack of the present invention;
 FIG. 4 is a left-side elevation view of the garment drying rack of the present invention;
 FIG. 5 is a right-side elevation view of the garment drying rack of the present invention;
 FIG. 6 is a top plan view of the garment drying rack of the present invention; and,
 FIG. 7 is a bottom plan view of the garment drying rack of the present invention.
 The portions of the garment drying rack shown in broken lines form no part of the claimed design.

1 Claim, 7 Drawing Sheets

(56) **References Cited**

U.S. PATENT DOCUMENTS

- 62,159 A * 2/1867 Sickels A47G 25/0685
211/99
- 2,577,397 A * 12/1951 Bailey A47G 25/18
211/104
- 3,295,471 A * 1/1967 Cook A47F 5/13
108/163
- 5,505,318 A * 4/1996 Goff A47B 46/00
211/132.1
- D381,225 S * 7/1997 Malik D6/513



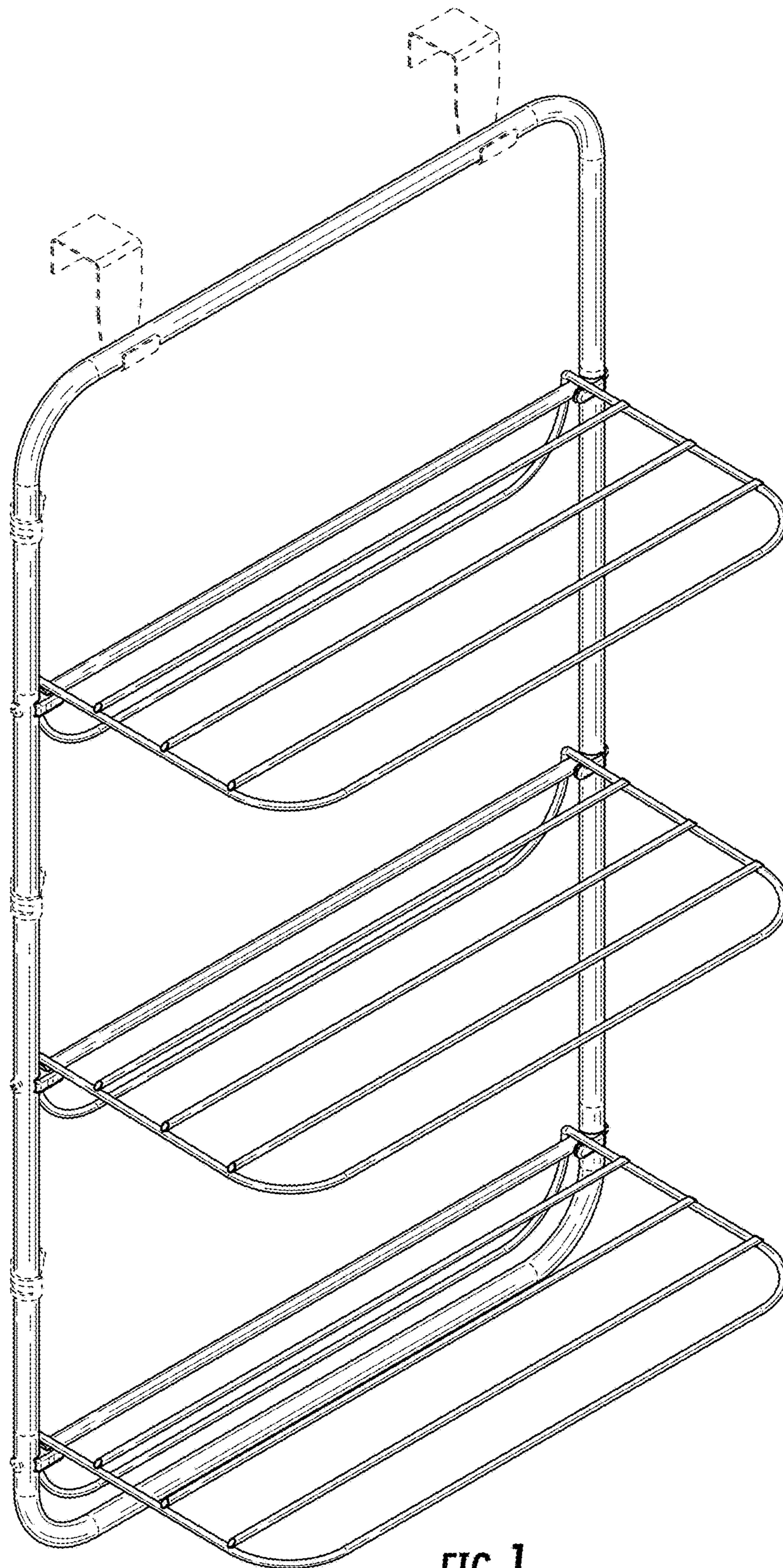


FIG. 1

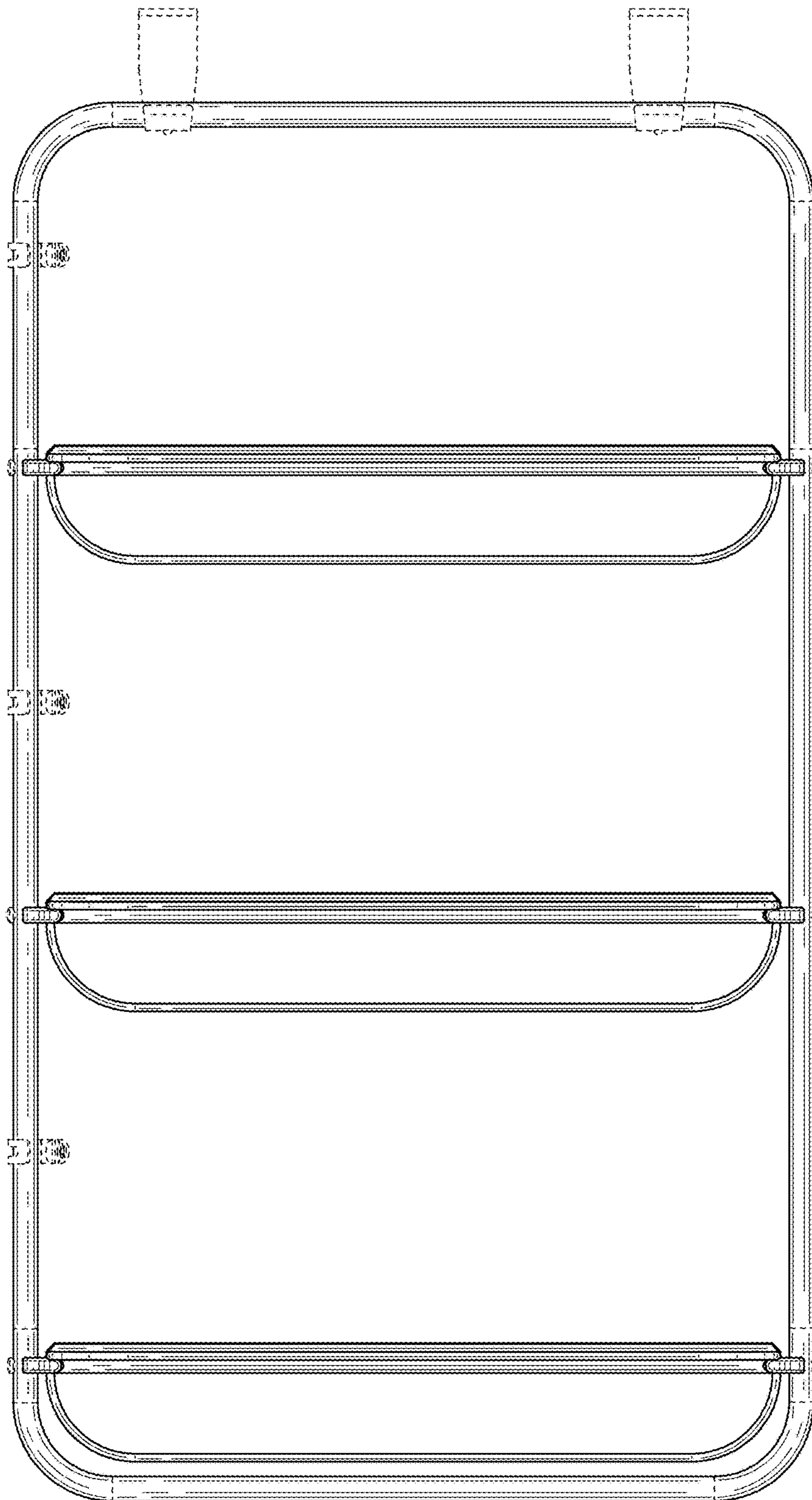


FIG. 2

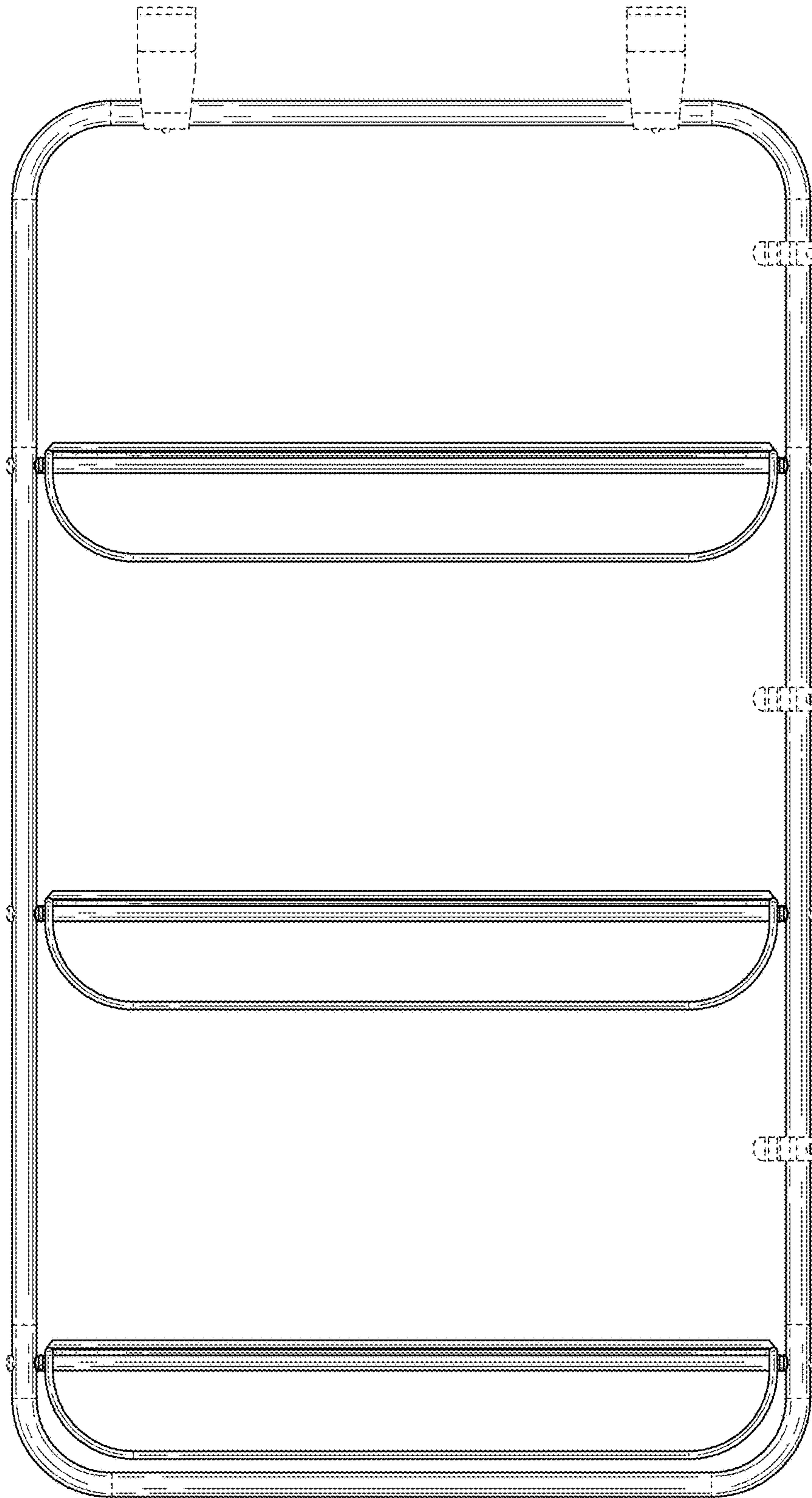


FIG. 3

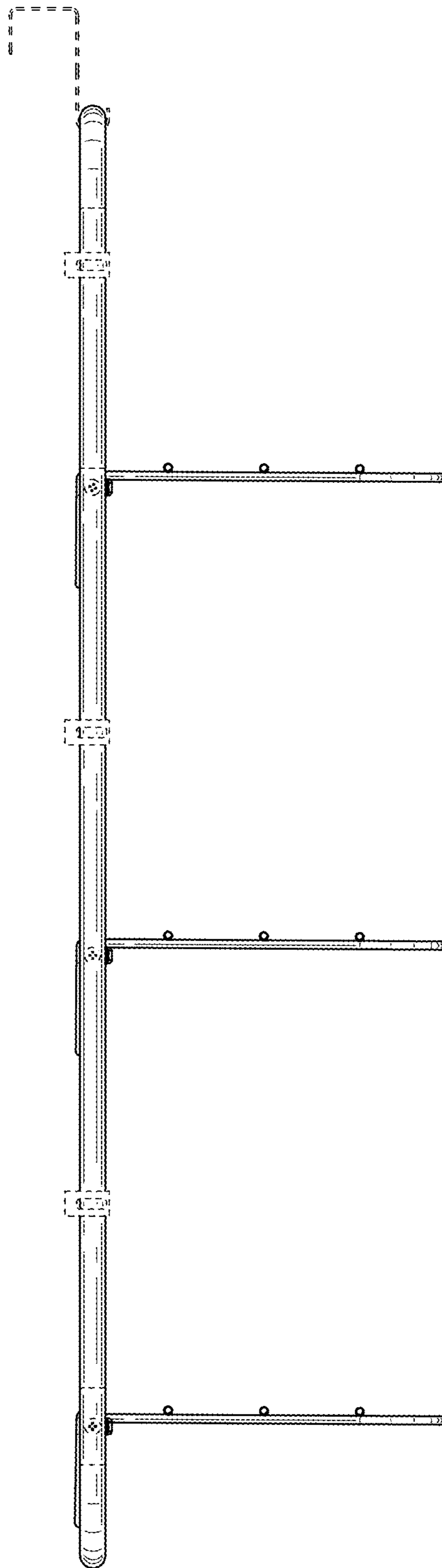


FIG. 4

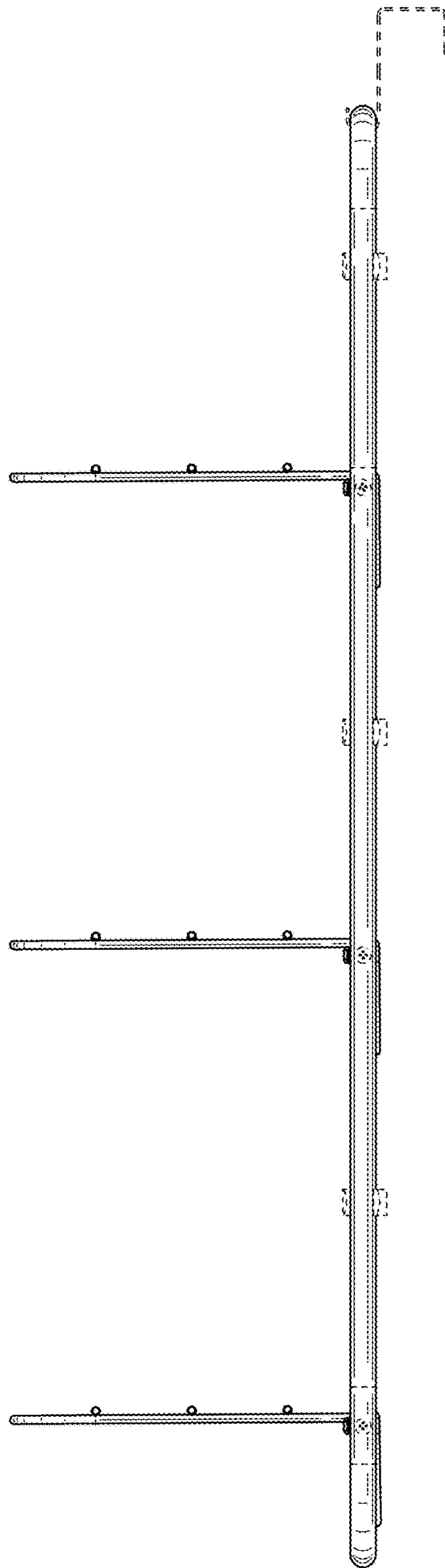


FIG. 5

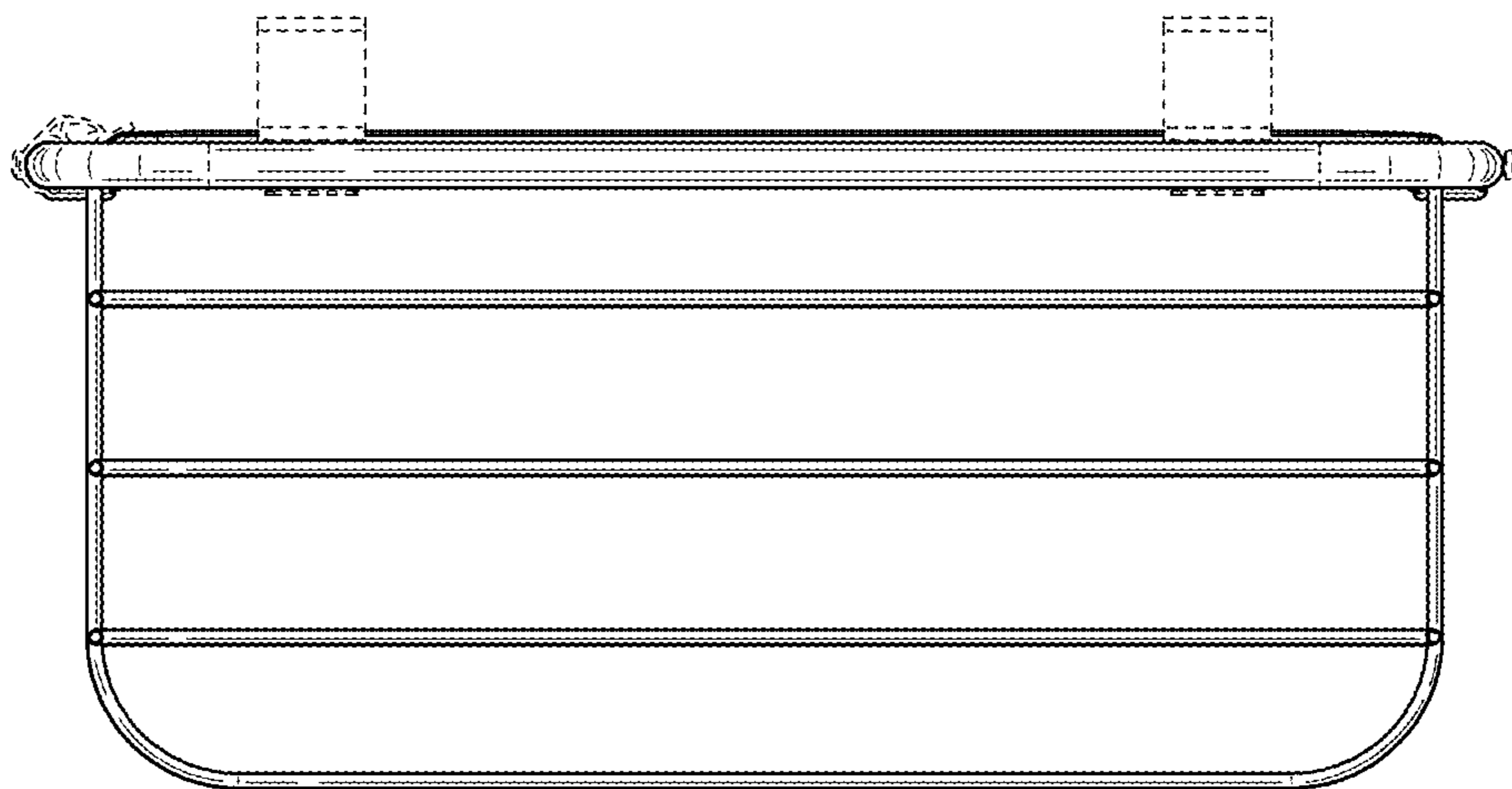


FIG. 6

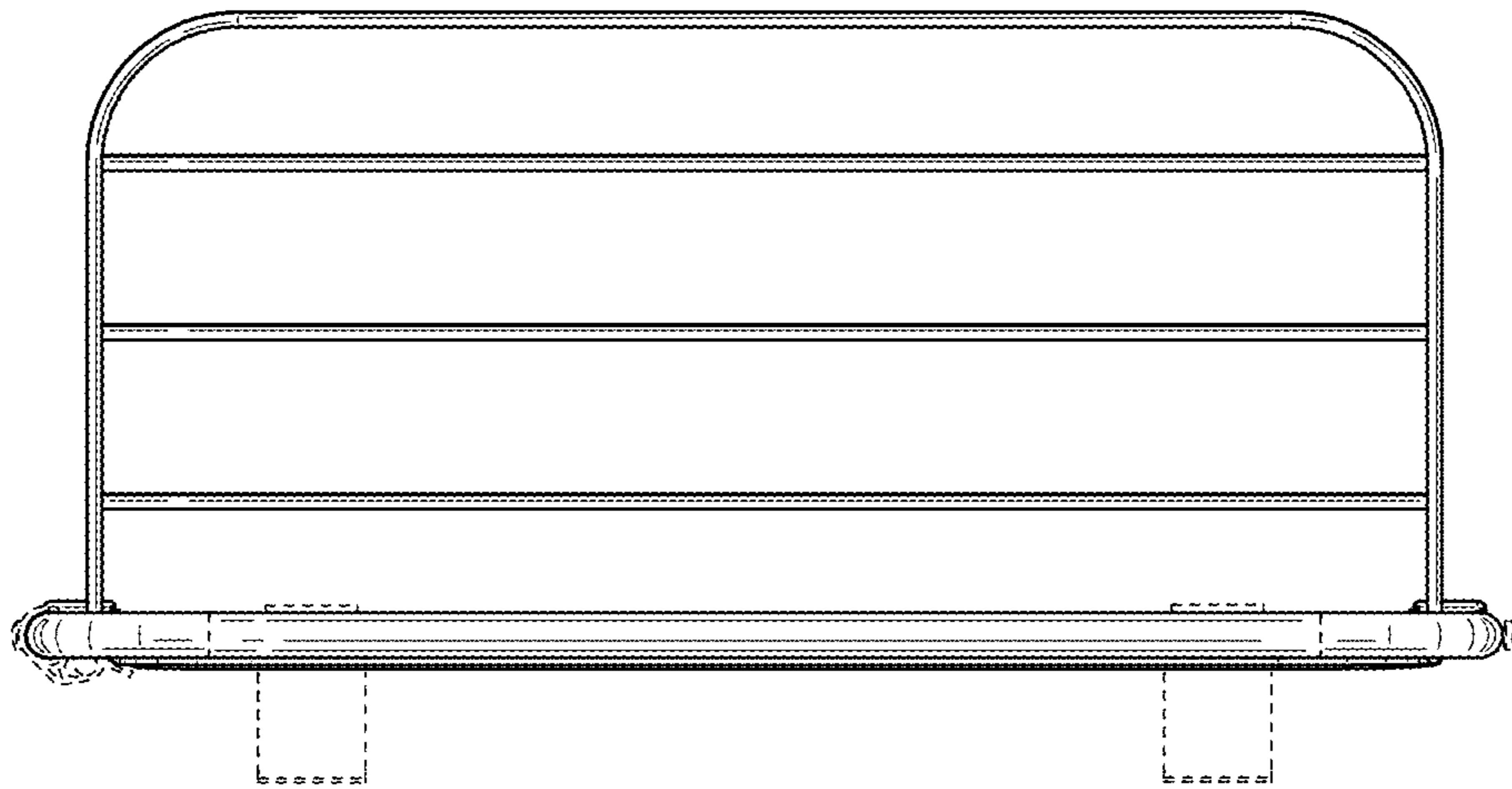


FIG. 7