



US00D816350S

(12) **United States Design Patent**
Yang et al.

(10) **Patent No.:** **US D816,350 S**
(45) **Date of Patent:** **** May 1, 2018**

- (54) **VANITY MIRROR**
- (71) Applicant: **simplehuman, LLC**, Torrance, CA (US)
- (72) Inventors: **Frank Yang**, Rancho Palos Verdes, CA (US); **Tzu-Hao Wei**, Hacienda Heights, CA (US); **Daniel Ballou**, Long Beach, CA (US)
- (73) Assignee: **simplehuman, LLC**, Torrance, CA (US)
- (**) Term: **15 Years**
- (21) Appl. No.: **29/597,617**
- (22) Filed: **Mar. 17, 2017**
- (51) **LOC (11) Cl.** **06-07**
- (52) **U.S. Cl.**
USPC **D6/309; D6/310**
- (58) **Field of Classification Search**
USPC **D6/300–314**
CPC ... **A47G 1/00; A47G 1/02; A47G 1/06; A47G 1/0616; A47G 1/14; A47G 1/141; A45D 42/00; A45D 42/08; A45D 42/14; A45D 42/16; A45D 42/10**
See application file for complete search history.

(56) **References Cited**

U.S. PATENT DOCUMENTS

D44,537 S	8/1913	McIsaac	
D65,759 S *	10/1924	Short	D6/300
2,004,166 A	6/1935	Low	
2,292,059 A	8/1942	Charles	
2,687,674 A	8/1954	Emilea	
D208,234 S	8/1967	Ely	
D213,392 S *	2/1969	Andre	D26/56
D216,414 S *	12/1969	Hanson	D26/56
3,623,356 A	11/1971	Bisberg	
3,732,702 A	5/1973	Desch	
D243,301 S *	2/1977	Ravn	D6/309
D243,478 S *	2/1977	Jones	D6/309
D254,208 S	2/1980	Breslow	
4,278,870 A	7/1981	Carleton et al.	
D261,845 S *	11/1981	Wachtel	D6/309
D290,662 S	7/1987	Basil et al.	
D307,358 S	4/1990	Gerton	
D309,833 S	8/1990	Wahl	

D317,531 S 6/1991 Evans
(Continued)

FOREIGN PATENT DOCUMENTS

DE 29904039 U1 6/1999
DE 20014279 U1 2/2001
(Continued)

OTHER PUBLICATIONS

Advanced Lighting Guidelines, 1993 (second edition), Chapter entitled, "Occupant Sensors", Published by California Energy Commission (CEC Pub.), in 14 pages.
(Continued)

Primary Examiner — Deanna L Pratt

(74) *Attorney, Agent, or Firm* — Knobbe, Martens, Olson & Bear, LLP

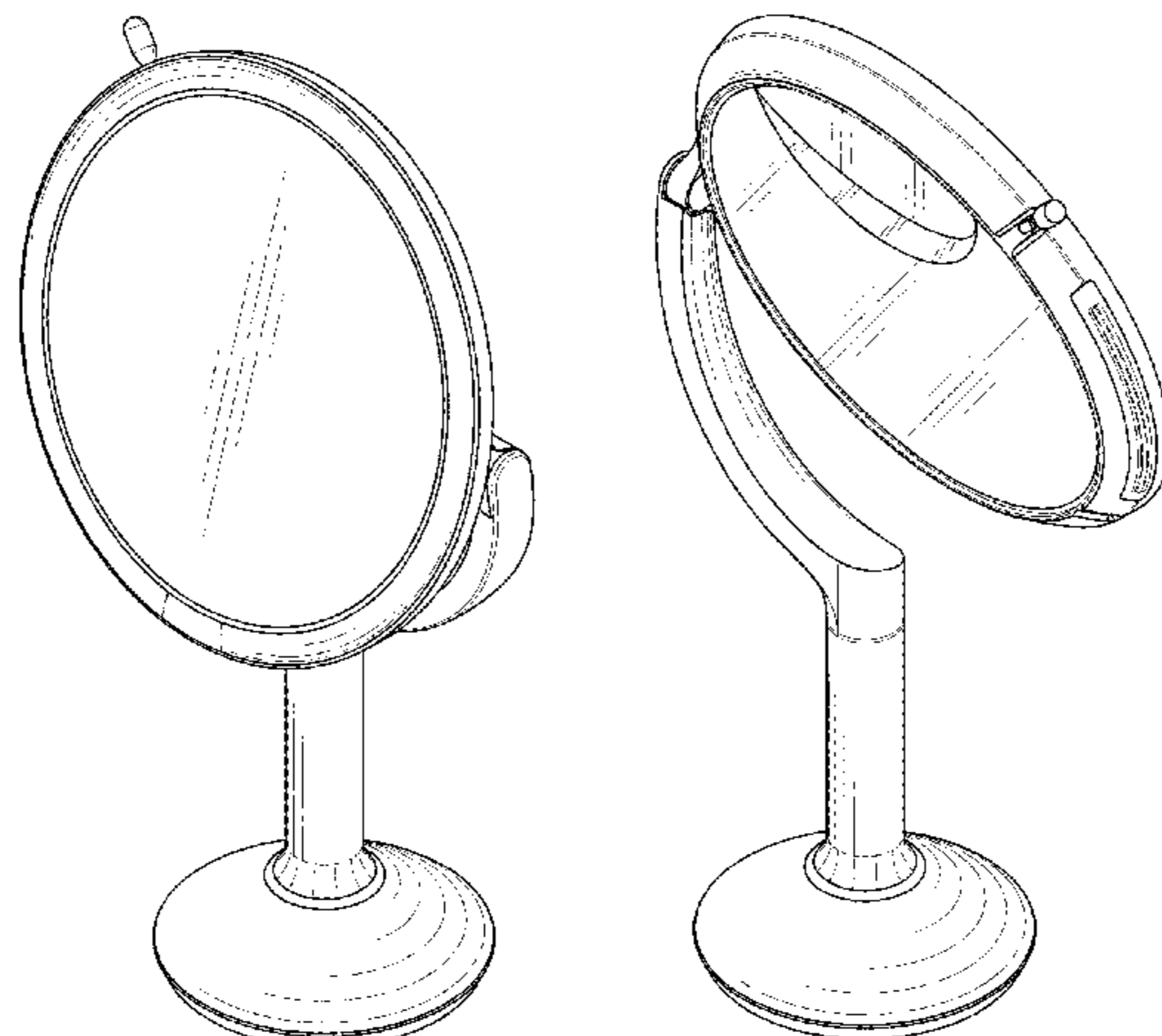
(57) **CLAIM**

The ornamental design for a vanity mirror, as shown and described.

DESCRIPTION

FIG. 1 is a top, front, left-side perspective view of a vanity mirror embodying our design in a first state; FIG. 2 is a top, rear, right-side perspective view thereof; FIG. 3 is a front elevation view thereof; FIG. 4 is a rear elevation view thereof; FIG. 5 is a right-side elevation view thereof; FIG. 6 is a left-side elevation view thereof; FIG. 7 is a top plan view thereof; and FIG. 8 is a bottom plan view thereof. FIG. 9 is a top, front, left-side perspective view of the vanity mirror embodying our design in a second state; FIG. 10 is a top, rear, right-side perspective view thereof; FIG. 11 is a front elevation view thereof; FIG. 12 is a rear elevation view thereof; FIG. 13 is a right-side elevation view thereof; FIG. 14 is a left-side elevation view thereof; FIG. 15 is a top plan view thereof; and, FIG. 16 is a bottom plan view thereof. All features in broken line form no part of the claimed subject matter.

1 Claim, 14 Drawing Sheets



(56)

References Cited

U.S. PATENT DOCUMENTS

D335,580 S 5/1993 Gaullier
 5,392,162 A 2/1995 Glucksman
 D378,159 S 2/1997 Mulkey
 D379,125 S 5/1997 Simjian
 D391,773 S 3/1998 Zaidman et al.
 D409,003 S 5/1999 Scavini
 5,984,485 A 11/1999 Poli et al.
 D425,313 S 5/2000 Zadro
 D426,182 S 6/2000 Brown
 D431,375 S 10/2000 Zadro
 6,158,877 A 12/2000 Zadro
 D442,371 S * 5/2001 Eberts D6/308
 6,241,357 B1 6/2001 Lee
 6,270,240 B1 8/2001 Inoue
 6,273,585 B1 8/2001 Wu
 6,305,809 B1 10/2001 Zadro
 D454,701 S * 3/2002 Eric D6/308
 D459,094 S 6/2002 Stone et al.
 6,420,682 B1 7/2002 Sellgren et al.
 D465,490 S 11/2002 Wei
 D474,432 S 5/2003 Good
 6,604,836 B2 8/2003 Carlucci et al.
 D488,626 S 4/2004 Kruger
 D492,230 S 6/2004 Berger
 6,830,154 B2 12/2004 Zadro
 6,848,822 B2 2/2005 Ballen et al.
 D505,555 S 5/2005 Snell
 6,886,351 B2 5/2005 Palfy et al.
 D508,883 S 8/2005 Falconer
 D509,369 S 9/2005 Snell
 D511,413 S 11/2005 Yue
 D512,841 S * 12/2005 Dirks D6/300
 7,004,599 B2 2/2006 Mullani
 7,048,406 B1 5/2006 Shih
 7,090,378 B1 8/2006 Zadro
 D532,981 S 12/2006 Zadro
 D540,549 S * 4/2007 Yue D6/312
 7,233,154 B2 6/2007 Groover et al.
 D546,567 S 7/2007 Bhavnani
 D558,987 S 1/2008 Gildersleeve
 7,341,356 B1 3/2008 Zadro
 7,347,573 B1 3/2008 Isler
 D568,081 S 5/2008 Thompson et al.
 D569,671 S 5/2008 Thompson et al.
 D572,024 S 7/2008 Shapiro
 7,393,115 B2 7/2008 Tokushita et al.
 D574,159 S 8/2008 Howard
 D584,516 S 1/2009 Otomo
 7,513,476 B1 4/2009 Huang
 7,626,655 B2 12/2009 Yamazaki et al.
 D635,009 S 3/2011 Paterson
 D639,077 S 6/2011 Debretton Gordon
 D647,444 S 10/2011 Manukyan et al.
 D649,790 S 12/2011 Pitot
 D652,220 S 1/2012 Pitot
 D656,979 S 4/2012 Yip et al.
 D657,425 S 4/2012 Podd
 D657,576 S 4/2012 Pitot
 8,162,502 B1 4/2012 Zadro
 D658,604 S 5/2012 Egawa et al.
 D660,367 S 5/2012 Podd
 D660,368 S 5/2012 Podd
 D660,369 S 5/2012 Podd
 8,194,133 B2 6/2012 Dewind et al.
 D665,030 S 8/2012 Podd
 D666,010 S 8/2012 Farley
 D670,087 S 11/2012 Walker
 8,356,908 B1 1/2013 Zadro
 8,382,189 B2 2/2013 Li et al.
 8,393,749 B1 3/2013 Daicos
 D679,101 S 4/2013 Pitot
 D679,102 S 4/2013 Gilboe et al.
 D680,755 S 4/2013 Gilboe et al.
 D688,883 S 9/2013 Gilboe et al.
 D689,701 S 9/2013 Mischel, Jr. et al.

8,585,273 B2 11/2013 Pokrovskiy et al.
 D699,448 S 2/2014 Yang et al.
 D699,952 S 2/2014 Yang et al.
 D701,050 S 3/2014 Yang et al.
 D701,507 S 3/2014 Cope
 D707,454 S * 6/2014 Pitot D6/309
 D711,871 S 8/2014 Daniel
 D711,874 S 8/2014 Cope
 D712,963 S 9/2014 Fleet
 D727,630 S * 4/2015 Zadro D6/310
 D729,525 S * 5/2015 Tsai D6/300
 D729,527 S 5/2015 Tsai
 D730,065 S * 5/2015 Tsai D6/310
 D736,001 S 8/2015 Yang et al.
 D737,059 S * 8/2015 Tsai D6/300
 D737,060 S 8/2015 Yang et al.
 D737,580 S * 9/2015 Tsai D6/300
 D738,118 S * 9/2015 Gyanendra D6/300
 D751,829 S 3/2016 Yang et al.
 D754,446 S 4/2016 Yang et al.
 D779,836 S * 2/2017 Bailey D6/309
 D785,345 S 5/2017 Yang et al.
 9,638,410 B2 5/2017 Yang et al.
 D793,099 S * 8/2017 Bailey D14/172
 D801,060 S * 10/2017 Hollinger D6/309
 2002/0196333 A1 12/2002 Gorischek
 2003/0030063 A1 2/2003 Sosniak et al.
 2003/0031010 A1 2/2003 Sosniak et al.
 2004/0020509 A1 2/2004 Waisman
 2004/0125592 A1 7/2004 Nagakubo et al.
 2005/0243556 A1 11/2005 Lynch
 2006/0186314 A1 8/2006 Leung
 2007/0297189 A1 12/2007 Wu et al.
 2008/0130305 A1 6/2008 Wang et al.
 2008/0258110 A1 10/2008 Oshio
 2008/0298080 A1 12/2008 Wu et al.
 2009/0027902 A1 1/2009 Fielding et al.
 2009/0207339 A1 8/2009 Ajichi et al.
 2009/0301927 A1 12/2009 Fvlbrook et al.
 2010/0033988 A1 2/2010 Chiu et al.
 2010/0118422 A1 5/2010 Holacka
 2010/0118520 A1 5/2010 Stern et al.
 2010/0296298 A1 11/2010 Martin, Jr.
 2011/0058269 A1 3/2011 Su
 2011/0080374 A1 4/2011 Feng et al.
 2011/0211079 A1 9/2011 Rolston
 2012/0229789 A1 9/2012 Kang et al.
 2013/0026512 A1 1/2013 Tsai
 2013/0077292 A1 3/2013 Zimmerman
 2013/0190845 A1 7/2013 Liu et al.
 2013/0235610 A1 9/2013 Yang et al.
 2014/0240964 A1 8/2014 Adachi et al.
 2015/0060431 A1 3/2015 Yang et al.
 2016/0045015 A1 2/2016 Baldwin
 2016/0255941 A1 9/2016 Yang et al.

FOREIGN PATENT DOCUMENTS

DE 102004042929 A1 3/2006
 DE 102006060781 A1 4/2008
 DE 202009004795 U1 9/2009
 DE 202010000170 U1 7/2010
 DE 202012103555 U1 2/2014
 EP 1792553 A2 6/2007
 JP 2008-073174 A 4/2008

OTHER PUBLICATIONS

Simple Human Vanity Mirror, available from internet at <http://www.bedbathandbeyond.com/store/products/simplehuman-reg-5x-sensor-vanity-mirror/1041483503?categoryId=12028>, apparently available Dec. 19, 2013, site visited Dec. 2, 2014.
 Simple Human Sensor Mirror, Internet Archive Wayback Machine webpage capture of <http://www.tuvie.com/stainless-steel-sensor-mirror-by-simplehuman/>, apparently available Jan. 27, 2013, site visited Dec. 2, 2014.

(56)

References Cited

OTHER PUBLICATIONS

Simplehuman Mini Sensor Mirror, available from internet at http://www.amazon.com/gp/product/B00FZ3MFAA/ref=pd_lpo_sbs_dp_ss_2?pf_rd_p=1944579862&pf_rd_s=lpo-top-stripe-1&pf_rd_t=201&pf_rd_i=B00M8MC5H4&pf_rd_m-ATVPDKIKXODER

&pf_rd_r=0RHFJEABM9QKSWJKK99N#Ask, apparently available Mar. 11, 2014, site visited Jan. 8, 2015.

Simplehuman Sensor Mirror, available from internet at <http://www.amazon.com/simplehuman-Sensor-Sensor-Activated-Lighted-Magnification/dp/B00M8MC5H4#customerReviews>, apparently available Dec. 31, 2014, site visited Jan. 8, 2015.

Simplehuman Wall Mount Mirror, available from internet at <http://www.amazon.com/simplehuman-Wall-Mount-Sensor-Mirror/dp/B00FN92ELG#customerReviews>, apparently available Jan. 31, 2013, site visited Jan. 8, 2015.

Simplehuman Wide View Sensor Mirror, available from internet at <http://www.amazon.com/simplehuman-Wide-View-Sensor-Mirror/dp/B01C2RXD7K>, Aug. 9, 2016.

Simplehuman Sensor Mirror Pro Wide-View, available from internet at <http://www.simplehuman.com/wide-view-sensor-mirror>, Aug. 9, 2016.

Brookstone Shower Mirror, available from internet at http://www.brookstone.com/9-Lighted-Fogless-Shower-Mirror?bkiid=?SubCategory_Bath_Spa_Mirrors_Lighting_Makeup_Mirrors%7CSubCategoryWidget%7C608364p&catId=n/, apparently available Jan. 15, 2013, site visited Dec. 2, 2014.

Jerdon Wall Mounted Mirror, available from internet at http://www.amazon.com/Jerdon-HL1016NL-9-5-Inch-Lighted-Magnification/dp/B00413G9K2/ref=sr_1_26?ie=UTF8&qid=1420579897&sr=8-26&keywords=wall+mounted+mirror#customerReviews, apparently available Feb. 21, 2009, site visited Jan. 8, 2015.

Jerdon Wall Mounted Mirror, available from internet at http://www.amazon.com/Jerdon-JD7C-9-Inch-Lighted-Magnification/dp/B001DKVC08/ref=sr_1_54?ie=UTF8&qid=1420580127&sr=8-54&keywords=wall+mounted+mirror, apparently available Oct. 6, 2010, site visited Jan. 8, 2015.

Zadro Z'fogless Mirror with Light, available from internet at http://www.amazon.com/Zadro-1X-Zfogless-Adjustable-Magnification/dp/B000ARWLIW/ref=sr_1_16?s=beauty&ie=UTF8&qid=1439229012&sr=1-16&keywords=zadro+lighted+fogless+mirror, apparently available Nov. 27, 2006, site visited Aug. 10, 2015.

* cited by examiner

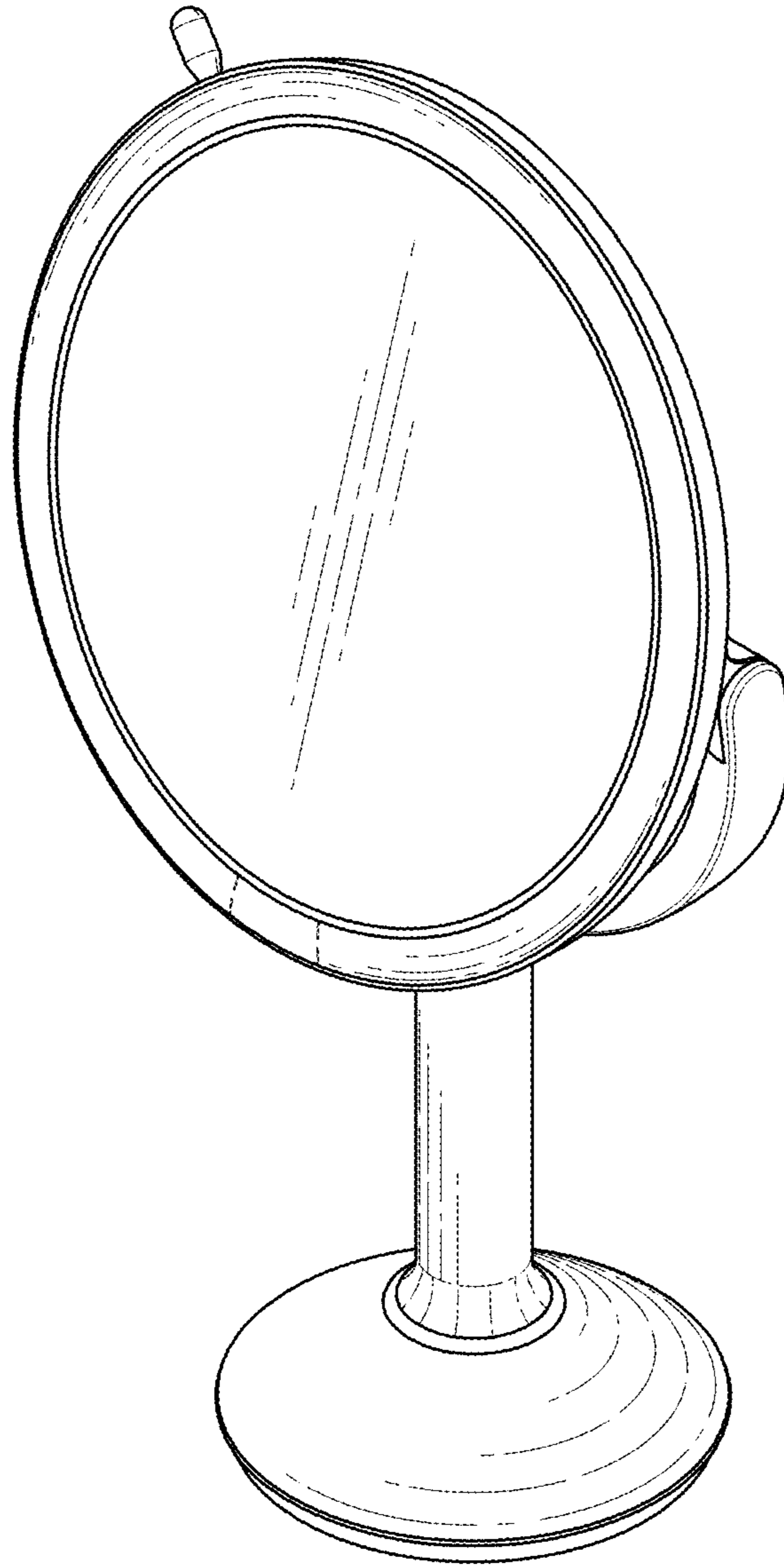


FIG. 1

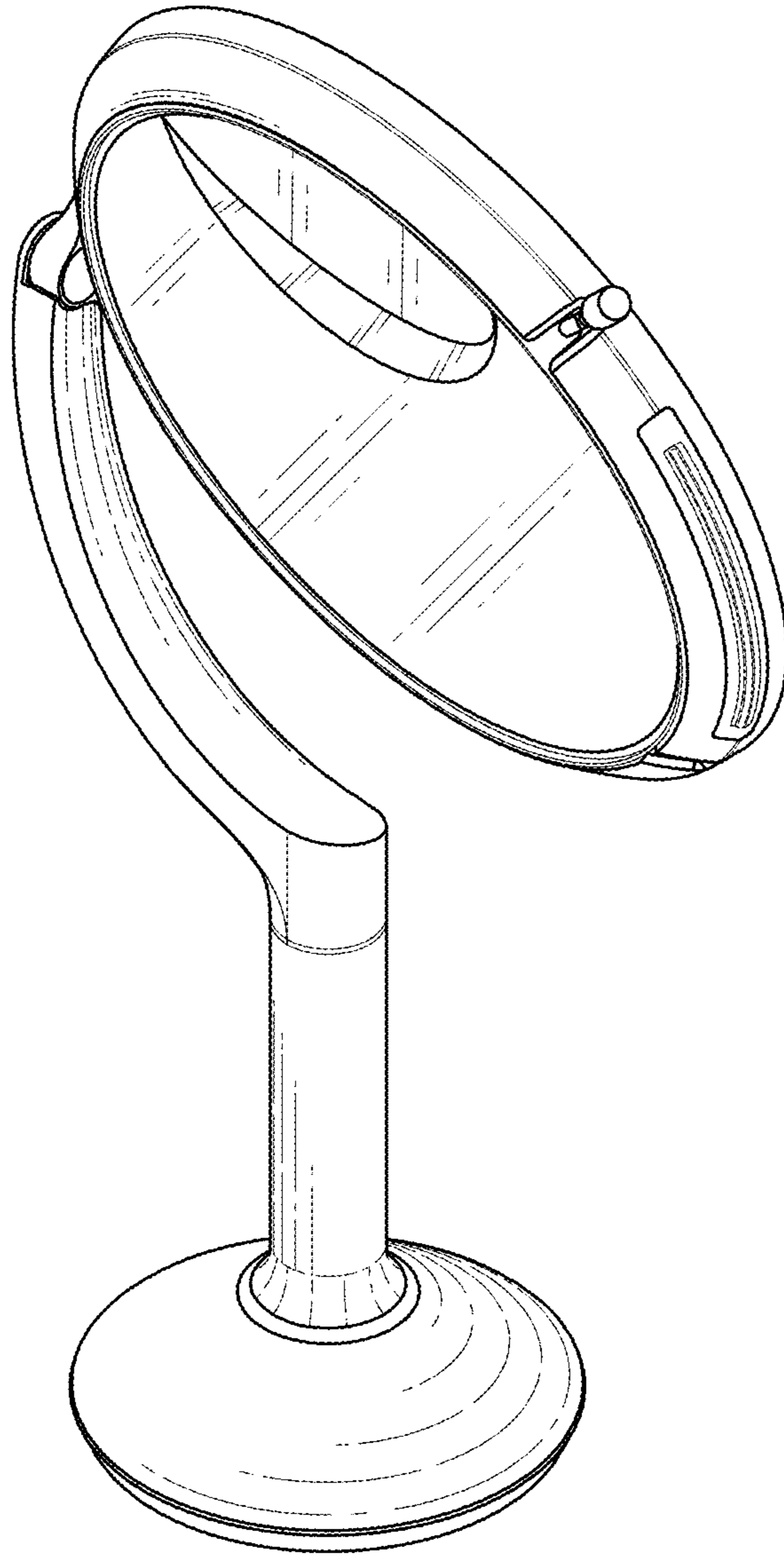


FIG. 2

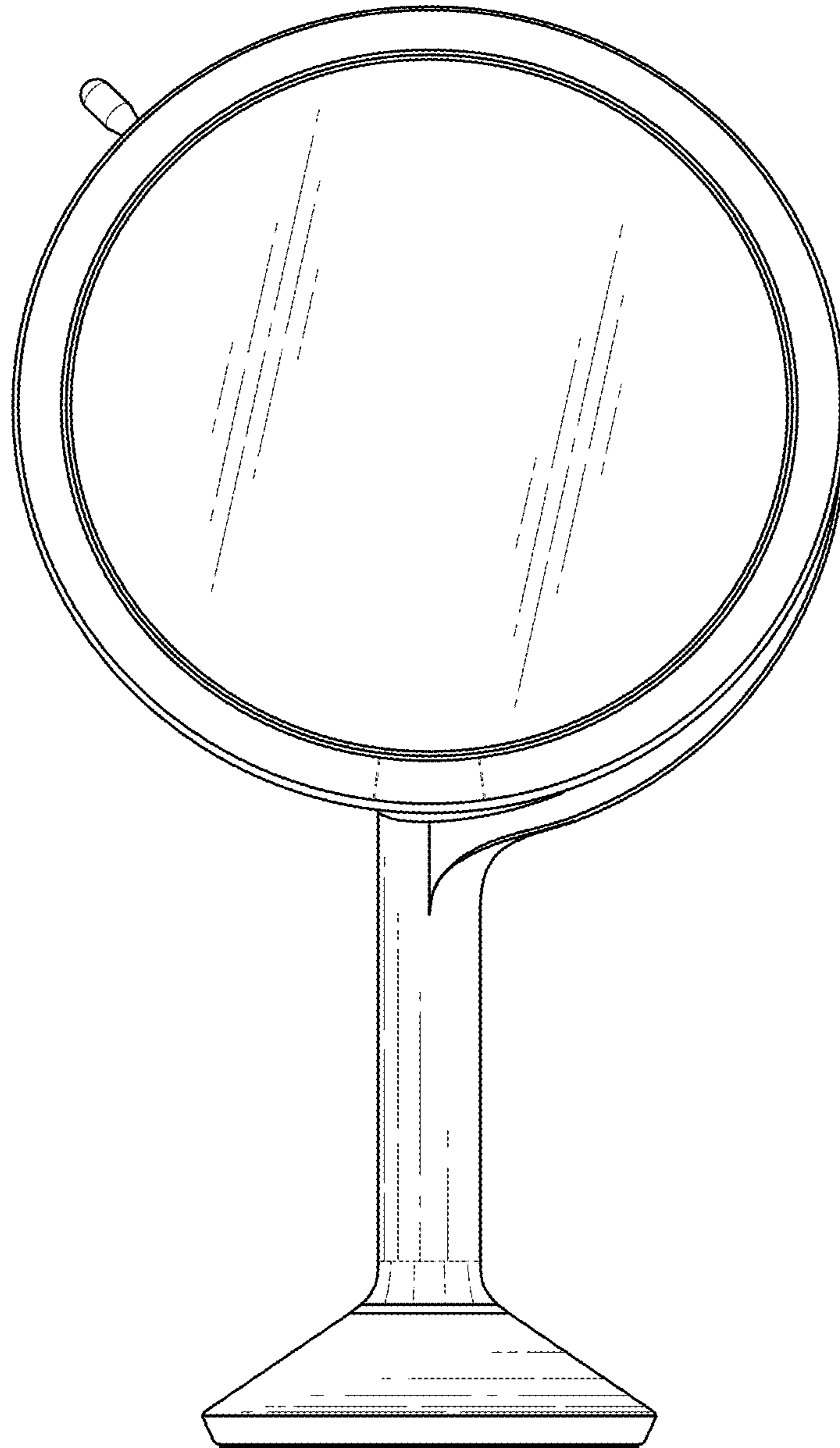


FIG. 3

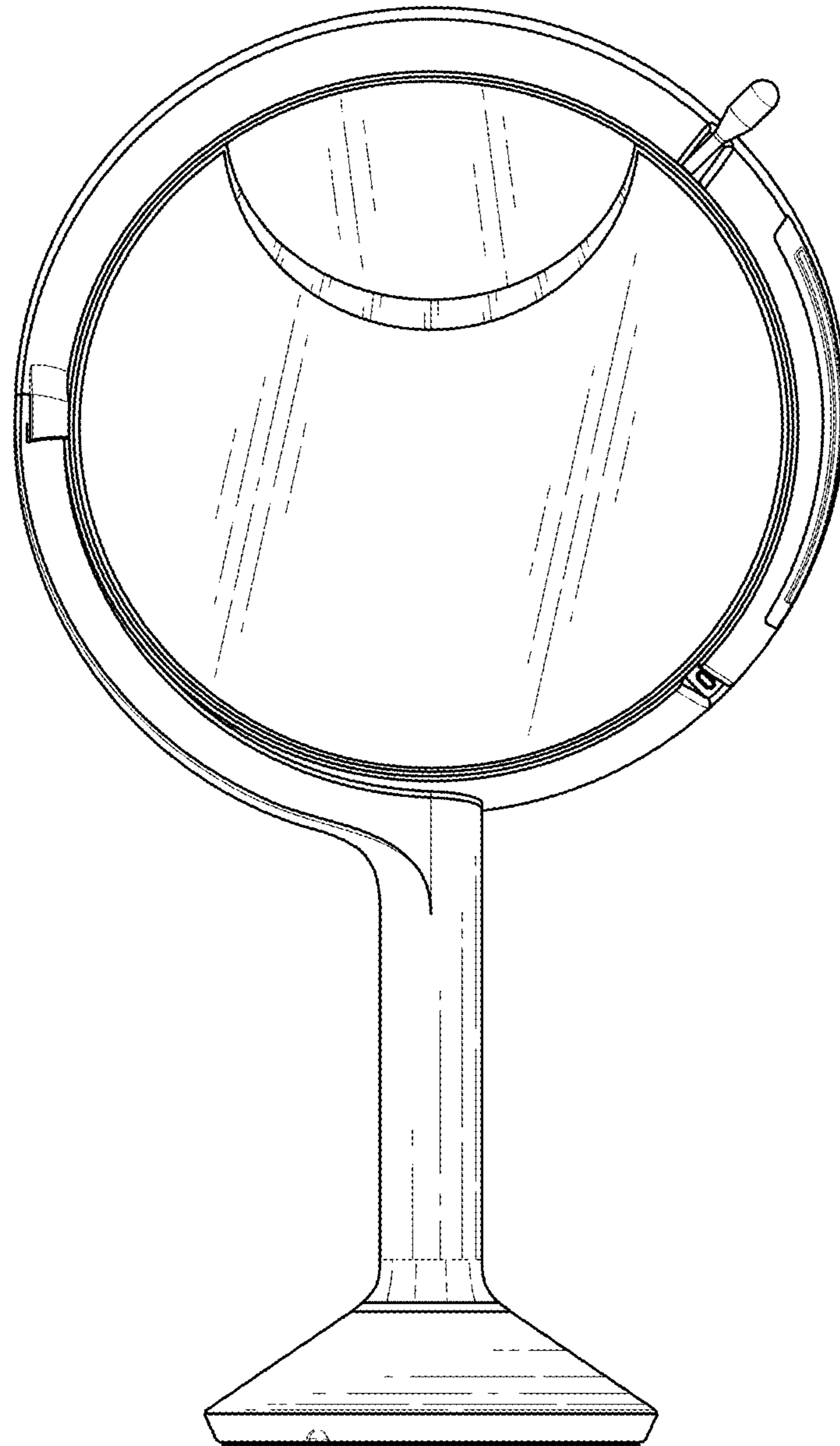


FIG. 4

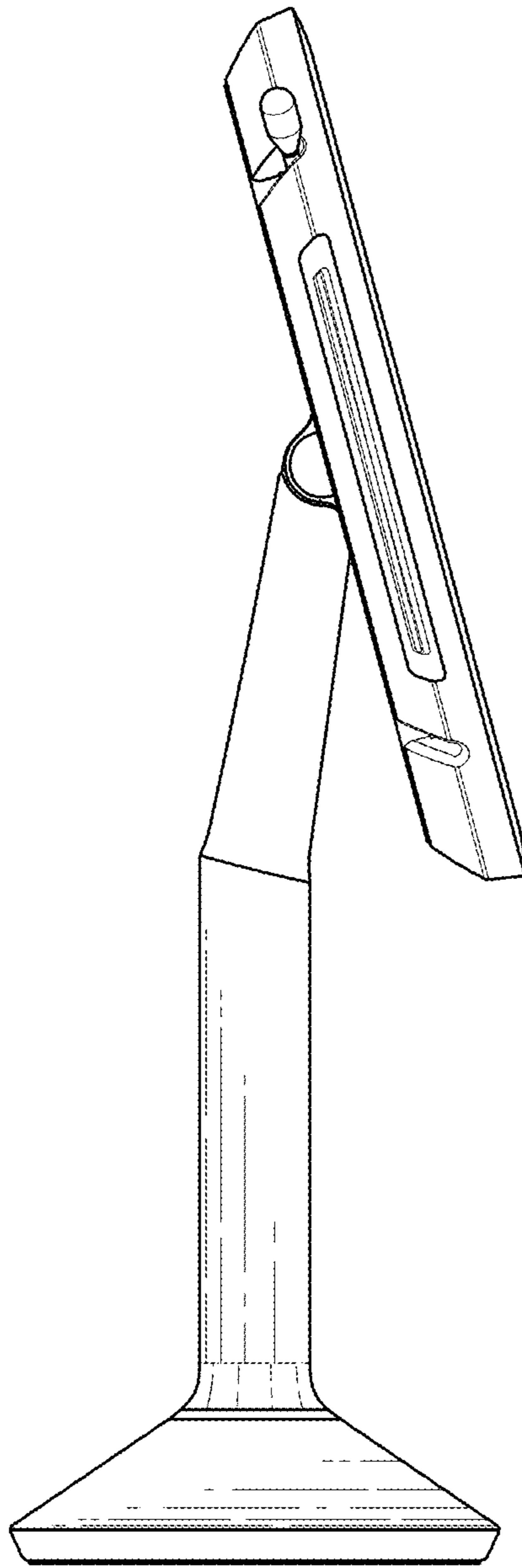


FIG. 5

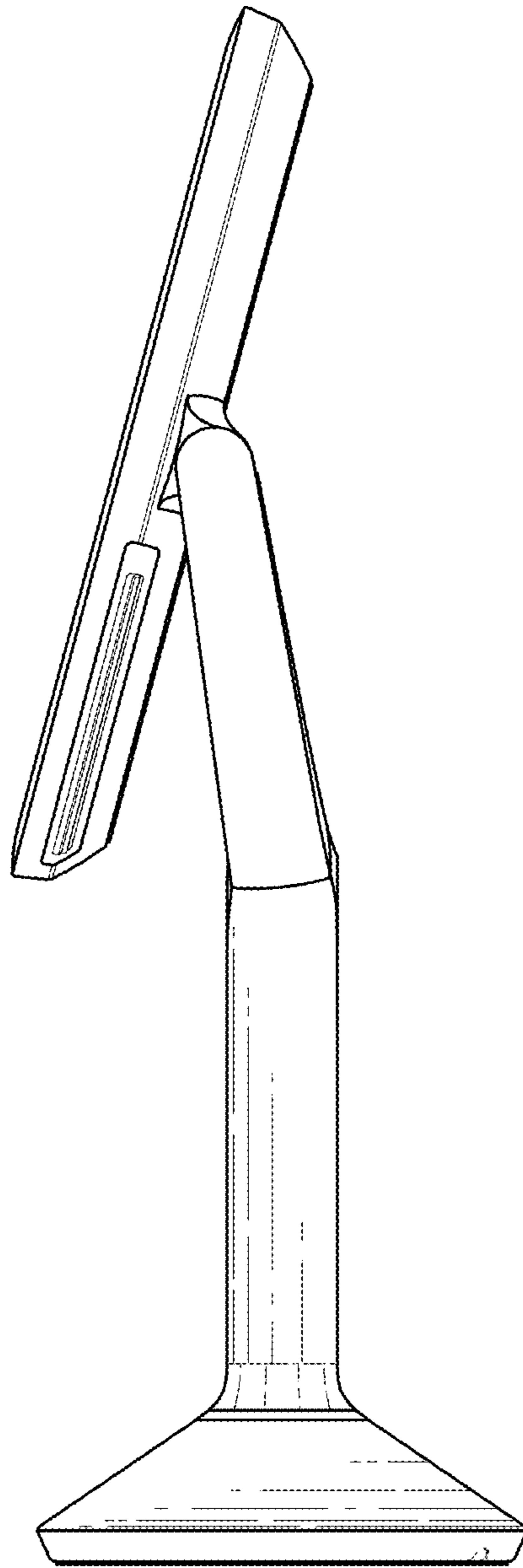


FIG. 6

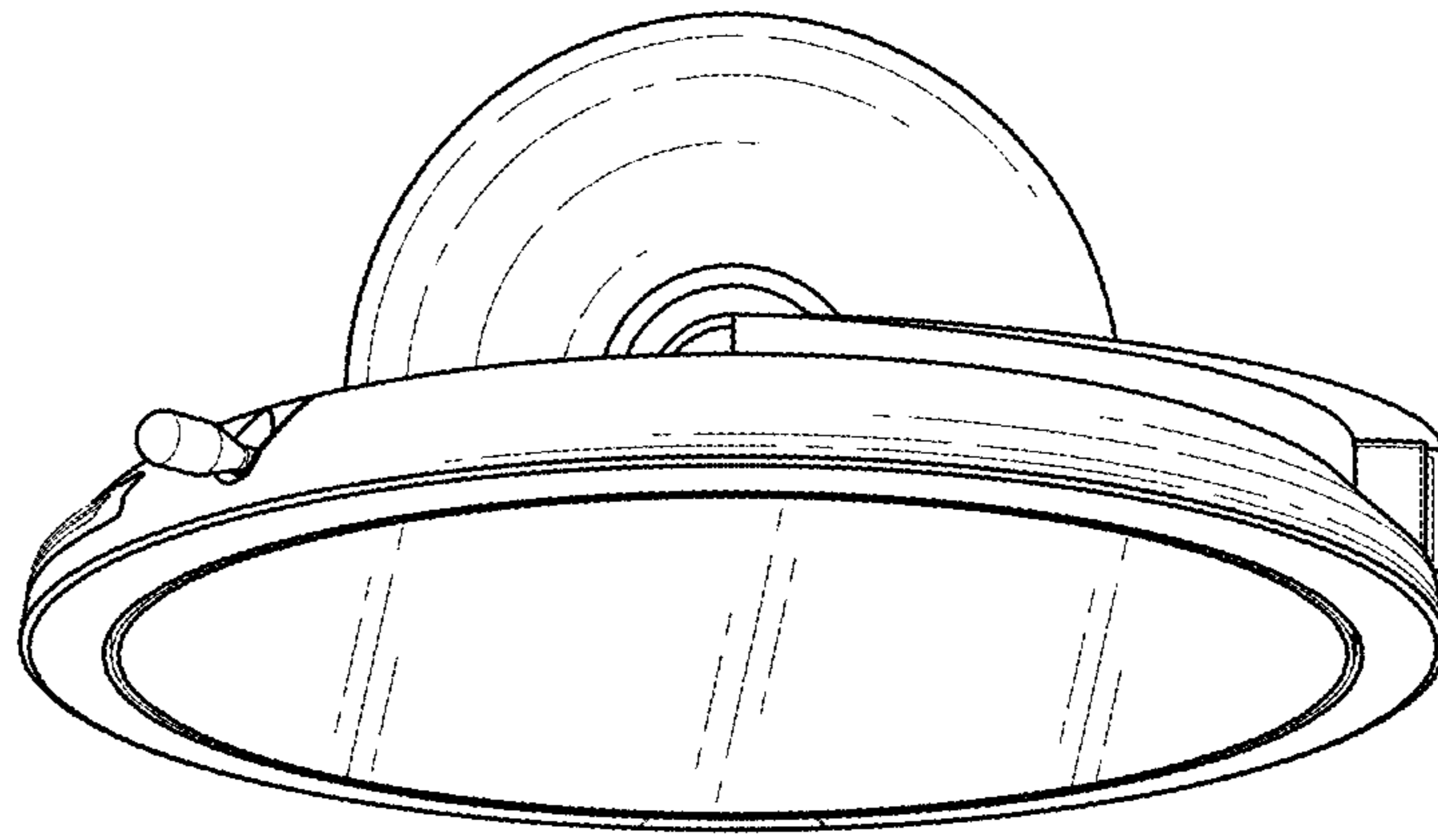


FIG. 7

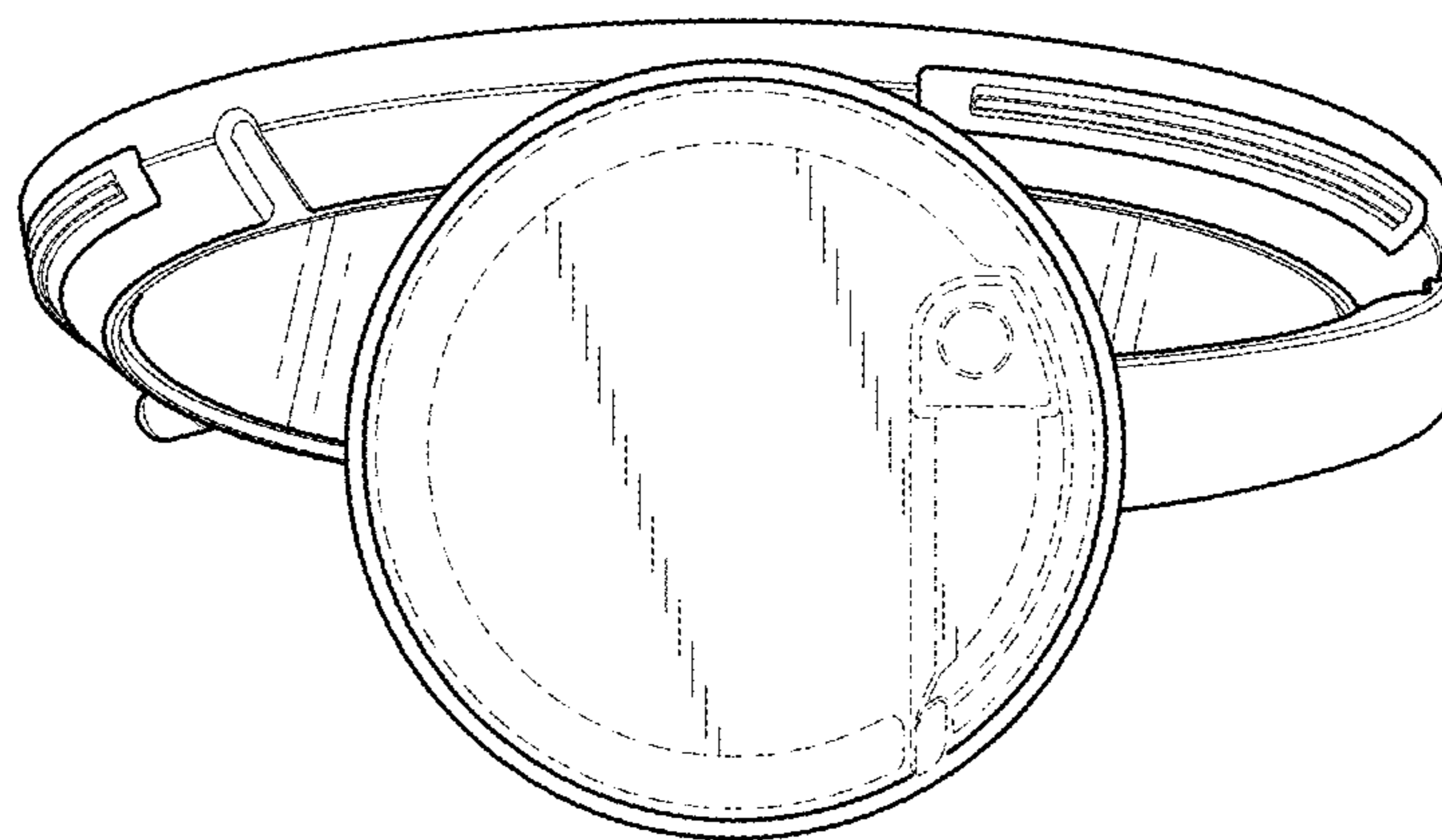


FIG. 8

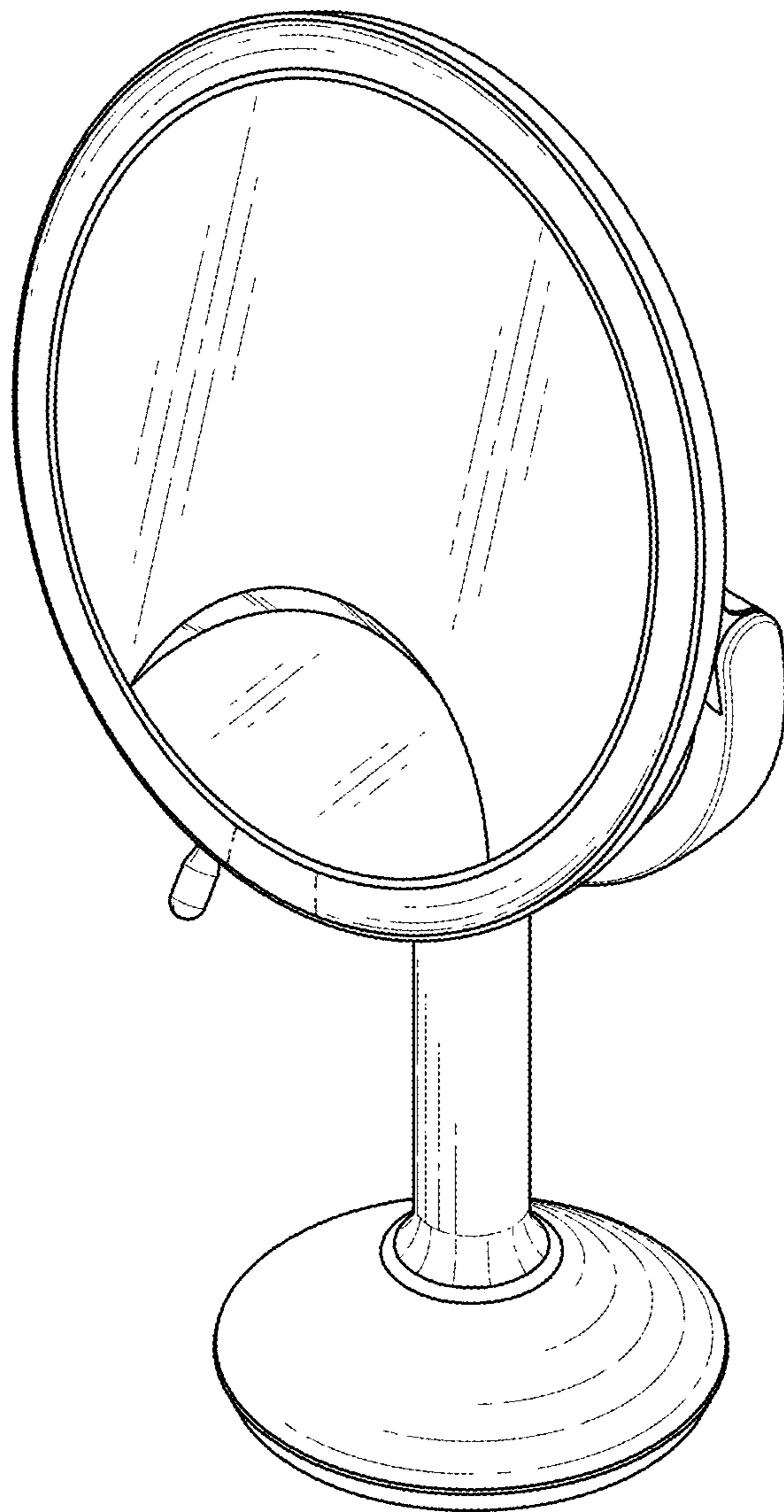


FIG. 9

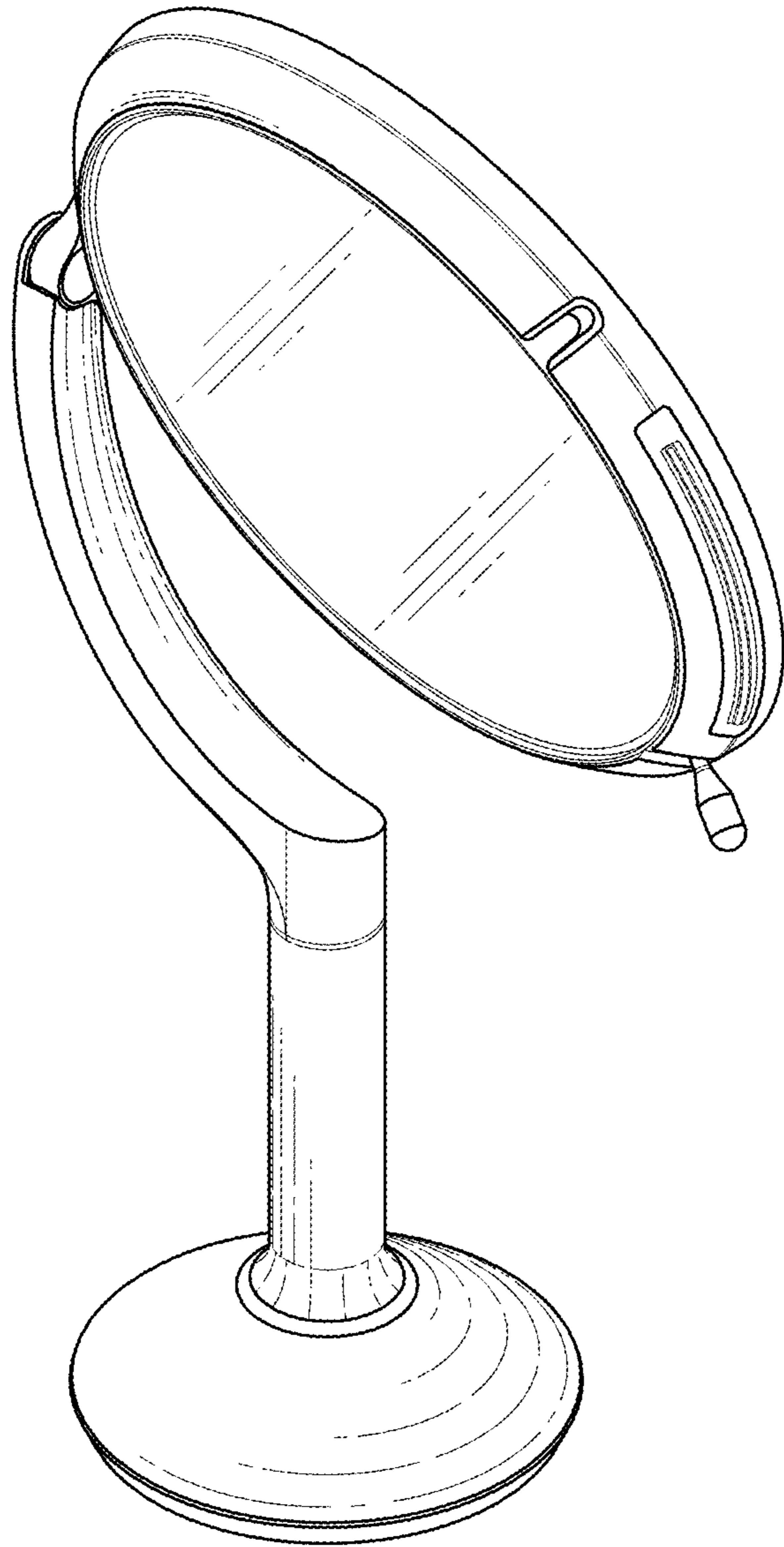


FIG. 10

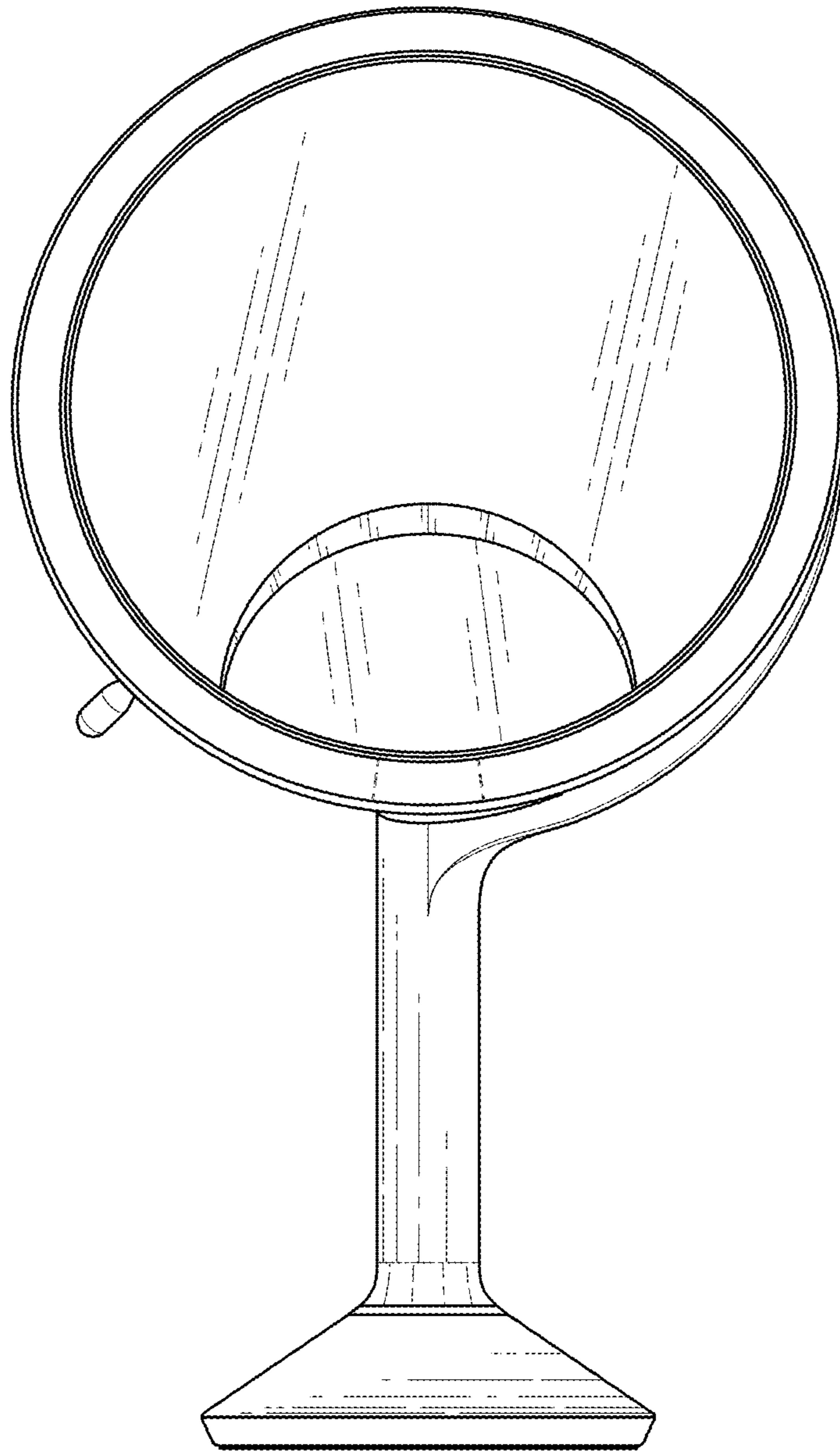


FIG. 11

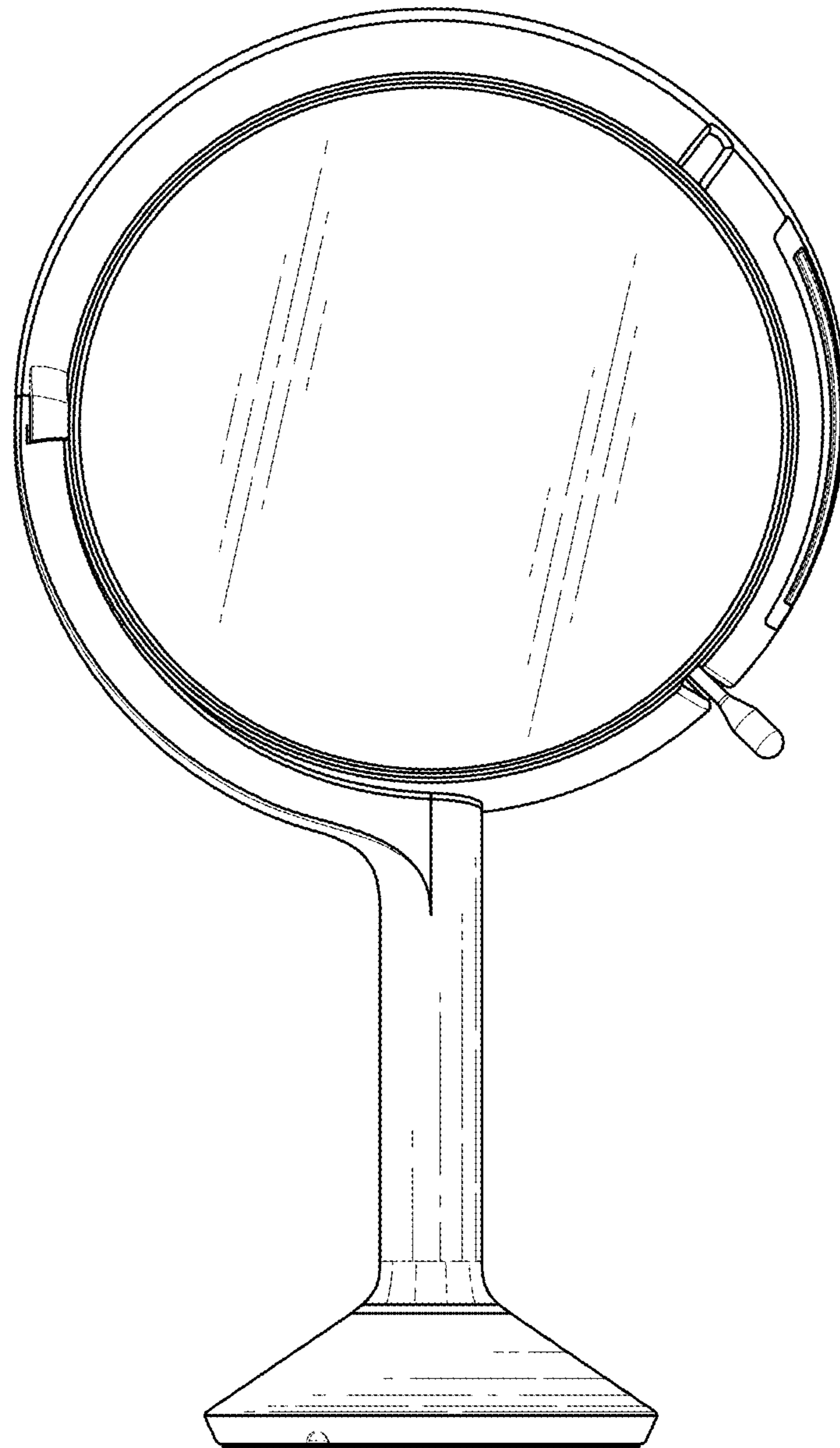


FIG. 12

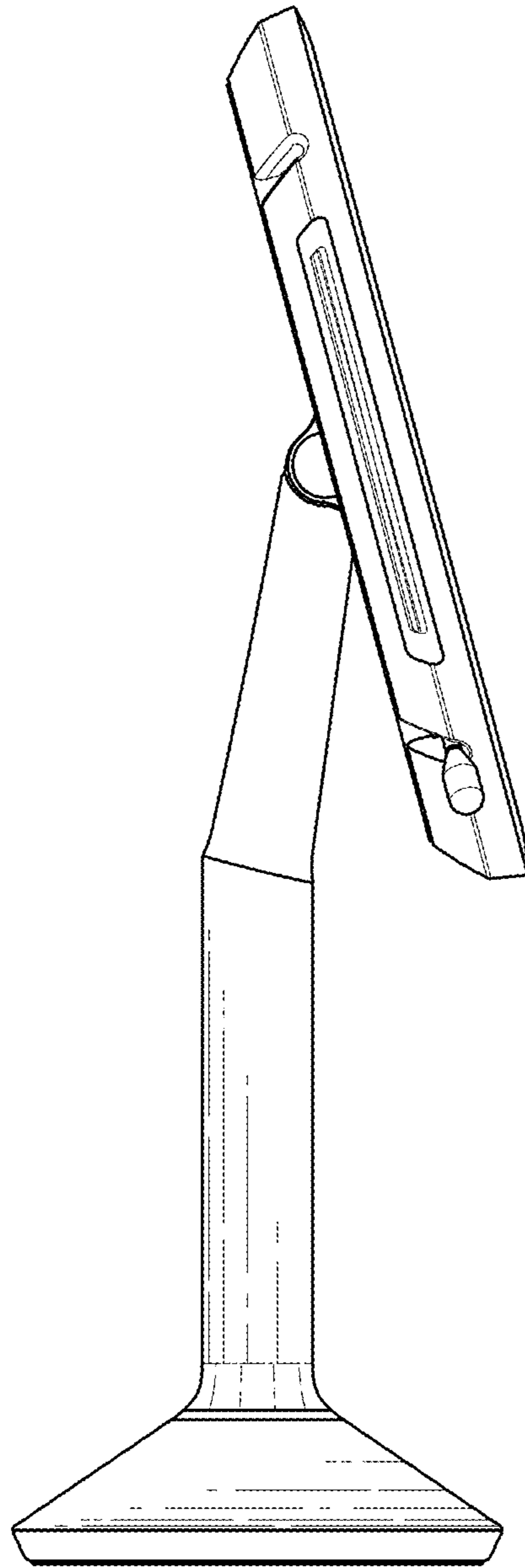


FIG. 13

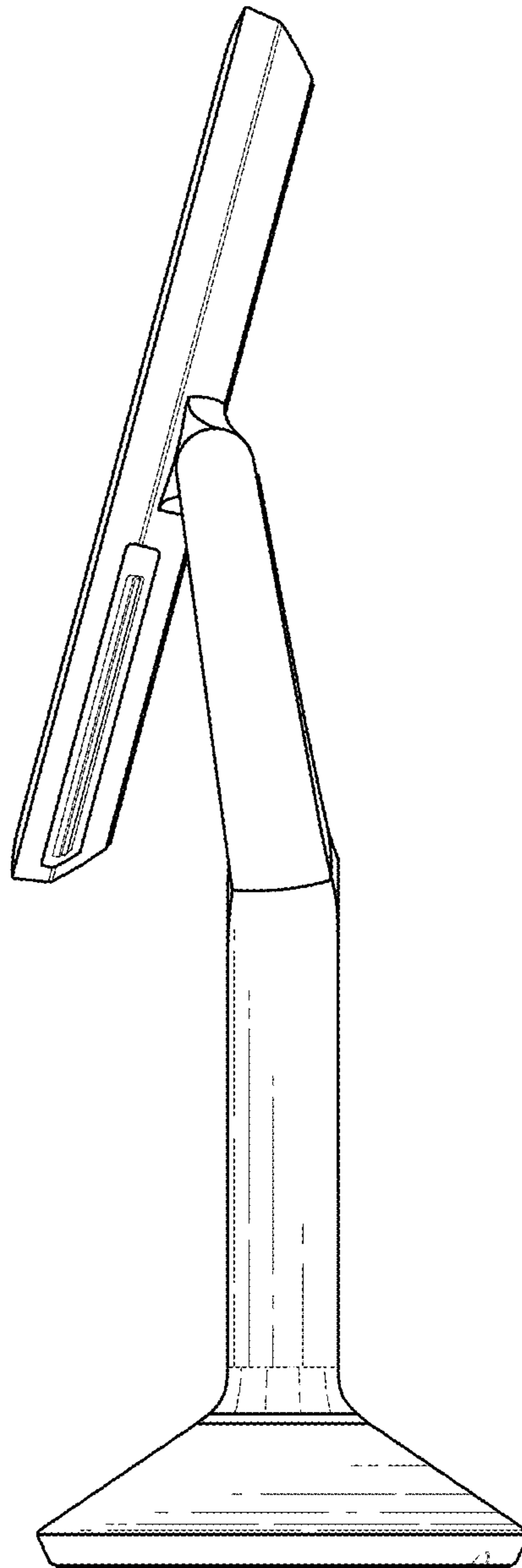


FIG. 14

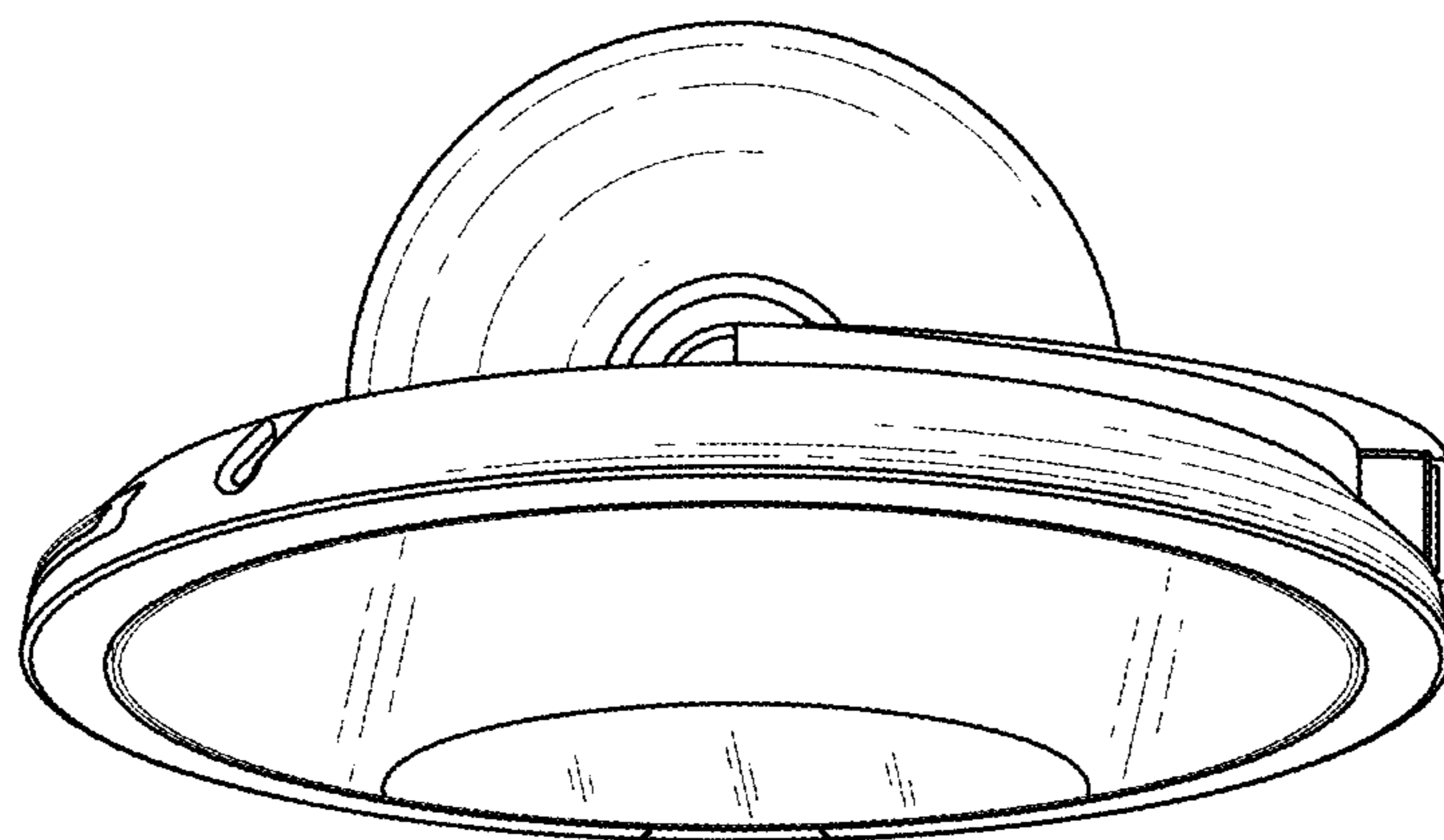


FIG. 15

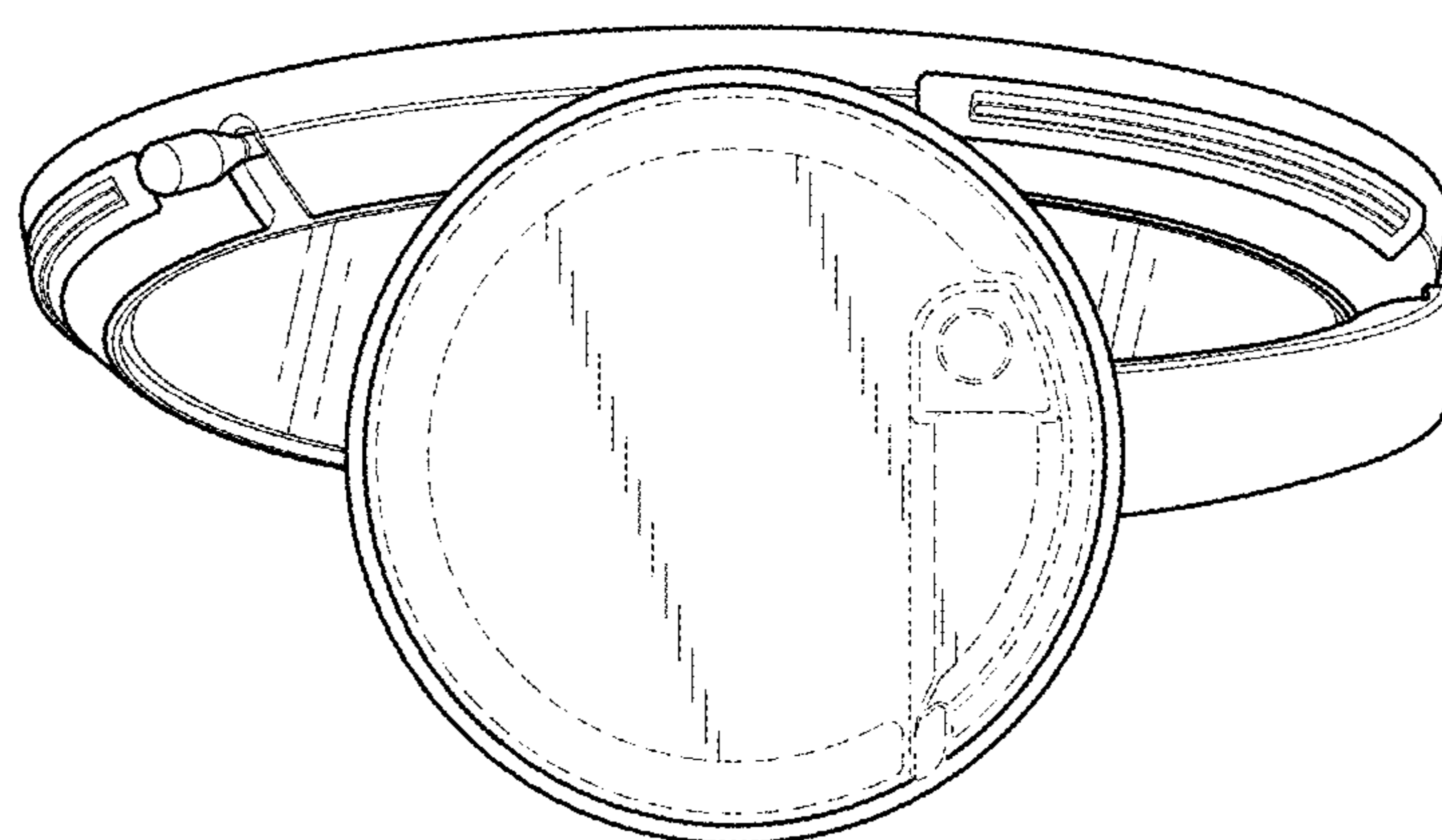


FIG. 16