



US00D816347S

(12) **United States Design Patent**
Zemel et al.

(10) **Patent No.:** **US D816,347 S**
(45) **Date of Patent:** **** May 1, 2018**

- (54) **GRILL BRUSH**
- (71) Applicant: **BLUE RHINO GLOBAL SOURCING, INC.**, Liberty, MO (US)
- (72) Inventors: **Marc Zemel**, Melville, NY (US);
Adam Schillen, Dix Hills, NY (US)
- (73) Assignee: **BLUE RHINO GLOBAL SOURCING, INC.**, Liberty, MO (US)
- (**) Term: **15 Years**
- (21) Appl. No.: **29/599,741**
- (22) Filed: **Apr. 6, 2017**

- D417,121 S 11/1999 Brunianyn
- D427,025 S 6/2000 Lee
- D427,858 S 7/2000 Zemel
- D431,753 S 10/2000 Cohen et al.
- D431,960 S 10/2000 Hay
- D442,026 S 5/2001 Rae
- D445,654 S 7/2001 Yu
- D448,973 S 10/2001 Hay et al.

(Continued)

Primary Examiner — Karen S Acker
Assistant Examiner — Jasmine Mlinarcik
(74) *Attorney, Agent, or Firm* — Carter, DeLuca, Farrell & Schmidt, LLP

Related U.S. Application Data

- (63) Continuation of application No. 29/577,387, filed on Sep. 13, 2016.
- (51) **LOC (11) Cl.** **04-01**
- (52) **U.S. Cl.**
USPC **D4/131**
- (58) **Field of Classification Search**
USPC D4/116, 118, 119, 122, 128, 129, 130,
D4/131, 132, 133, 138; D7/393, 395;
D8/300, 307; D32/17, 20, 40, 42, 52
CPC .. A46B 3/18; A46B 5/00; A46B 15/00; A46B
2200/30; A46D 1/0207; A46D 3/00;
A47L 13/07; A47L 13/16
See application file for complete search history.

References Cited

U.S. PATENT DOCUMENTS

- 138,317 A * 4/1873 Christoffel A46B 3/18
15/104.2
- D146,729 S 4/1947 Storm
- 4,167,796 A * 9/1979 De Pamphilis A46B 9/02
15/106
- 4,819,291 A 4/1989 Gunjian

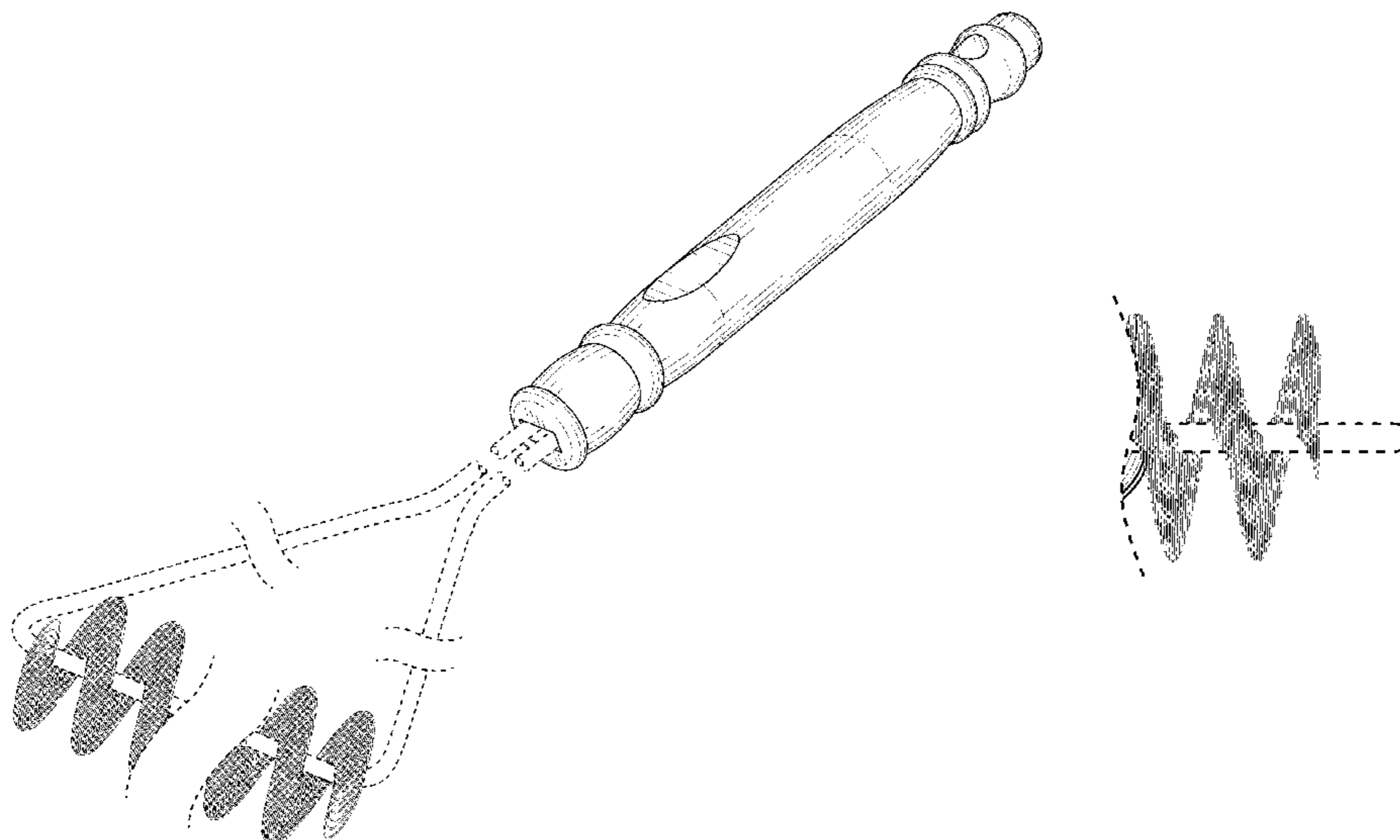
(57) **CLAIM**

The ornamental design for a grill brush, as shown and described.

DESCRIPTION

FIG. 1 is a perspective view of a grill brush in accordance with the present design;
FIG. 2 is a left side elevational view thereof,
FIG. 3 is a right side elevational view thereof;
FIG. 4 is a front elevational view thereof;
FIG. 5 is a rear elevational view thereof;
FIG. 6 is a top plan view thereof;
FIG. 7 is a bottom plan view thereof;
FIG. 8 is an enlarged detail view of the coil structure shown in FIG. 1;
FIG. 9 is an enlarged detail view of the coil structure shown in FIG. 2; and,
FIG. 10 is an enlarged detail view of the coil structure shown in FIG. 4.
The drawings include a symbolic break in the coil configuration of the grill brush. The area between the symbolic break lines forms no part of the claimed design. The wire configuration drawn in broken lines that connects the handle to the coiled part of the grill brush is not included in the claim. All broken lines form no part of the claimed design.

1 Claim, 7 Drawing Sheets



(56)

References Cited

U.S. PATENT DOCUMENTS

D454,003 S *	3/2002	Saxon	D4/102	D569,174 S	5/2008	Zemel	
D456,207 S	4/2002	Zemel			D572,079 S	7/2008	Zemel	
D456,615 S	5/2002	Zemel			D572,080 S	7/2008	Zemel	
D456,667 S	5/2002	Veltri et al.			D574,184 S	8/2008	Zemel	
D463,952 S	10/2002	Zemel			D578,826 S	10/2008	Lu	
D465,336 S	11/2002	Zemel			D579,269 S	10/2008	Zemel	
D474,644 S	5/2003	Zemel			D579,668 S	11/2008	Zemel	
D476,525 S	7/2003	Zemel			D580,659 S	11/2008	Zemel	
D480,612 S *	10/2003	Schulein	D7/690	D584,514 S *	1/2009	Dale D4/135
D481,906 S	11/2003	Knor			D588,868 S	3/2009	Zemel	
D482,566 S	11/2003	Zemel			D618,499 S	6/2010	Zemel	
D482,569 S	11/2003	Zemel			D622,542 S	8/2010	Zemel	
D491,413 S	6/2004	Rosenthal			D629,650 S	12/2010	Funka, Jr. et al.	
D492,543 S	7/2004	Munari			D631,289 S	1/2011	Tuli	
D494,006 S	8/2004	Zemel			8,146,284 B2	4/2012	Smith	
D494,807 S	8/2004	Zemel			D658,433 S	5/2012	Zemel	
D496,558 S	9/2004	Zemel			D658,937 S	5/2012	Zemel	
D503,071 S	3/2005	Lu			D660,141 S	5/2012	Zemel	
D528,857 S	9/2006	Zemel			D663,159 S	7/2012	Zemel	
D529,333 S	10/2006	Zemel			D690,153 S	9/2013	Zemel	
D529,335 S	10/2006	Zemel			D690,943 S *	10/2013	Pelo D4/122
D531,853 S	11/2006	Zemel			D691,379 S	10/2013	Gunjian	
D533,397 S	12/2006	Zemel			D701,389 S	3/2014	Gunjian	
D534,001 S	12/2006	Zemel			D702,996 S	4/2014	Zemel et al.	
D535,147 S	1/2007	Zemel			9,101,205 B2	8/2015	Gunjian	
D535,519 S	1/2007	Zemel			D737,626 S	9/2015	Lu	
D544,750 S	6/2007	Zemel			D742,121 S *	11/2015	Borovicka D4/119
D545,120 S	6/2007	Zemel			D773,242 S	12/2016	Zemel et al.	
D545,121 S	6/2007	Zemel			D778,107 S *	2/2017	Keating D7/395
D550,504 S	9/2007	Zemel			D789,095 S *	6/2017	Wales D4/131
D562,062 S	2/2008	Zemel			2012/0198639 A1	8/2012	Smith	
D562,064 S	2/2008	Zemel			2014/0250617 A1 *	9/2014	Gunjian A46D 1/0207 15/207.2
D563,675 S	3/2008	Zemel			2015/0026906 A1 *	1/2015	Kohlmann A46B 3/10 15/207.2
D564,292 S	3/2008	Zemel			2015/0327659 A1	11/2015	Gunjian	
D566,460 S	4/2008	Zemel			2016/0128456 A1 *	5/2016	Hashimoto A46B 3/18 15/206
D566,514 S *	4/2008	Settles	D8/107				

* cited by examiner

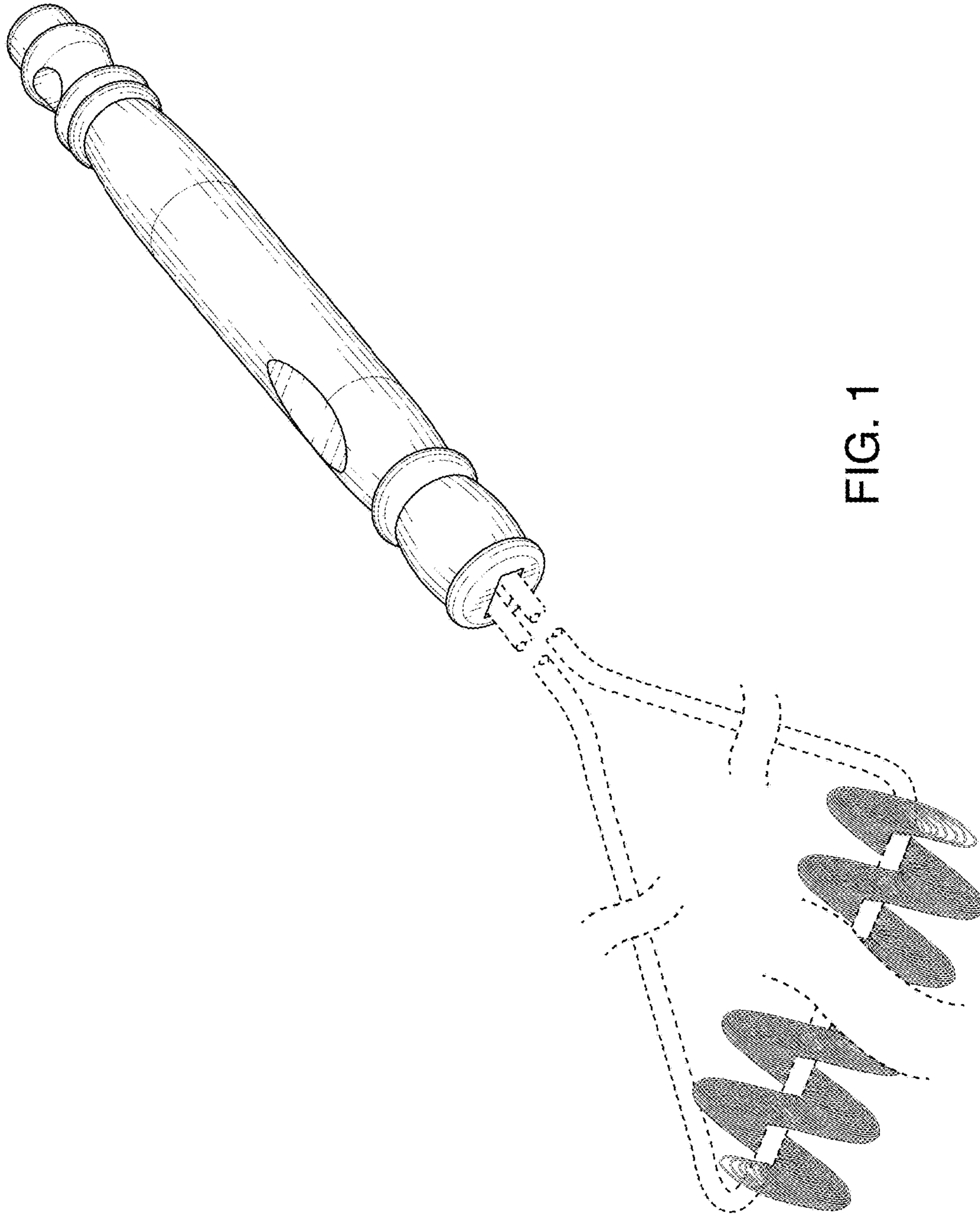


FIG. 1

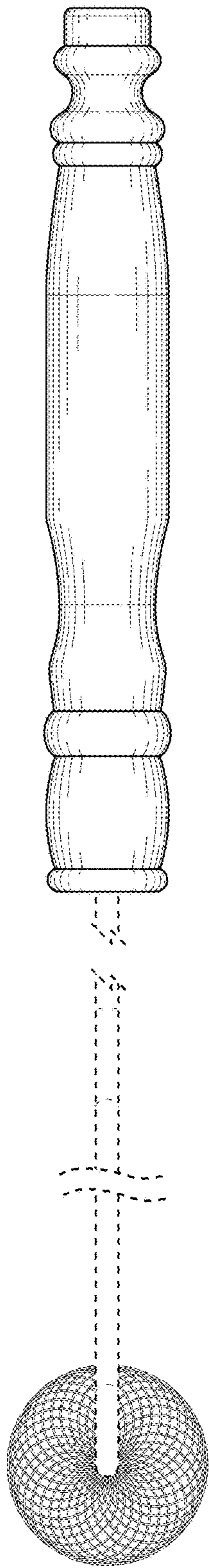


FIG. 2

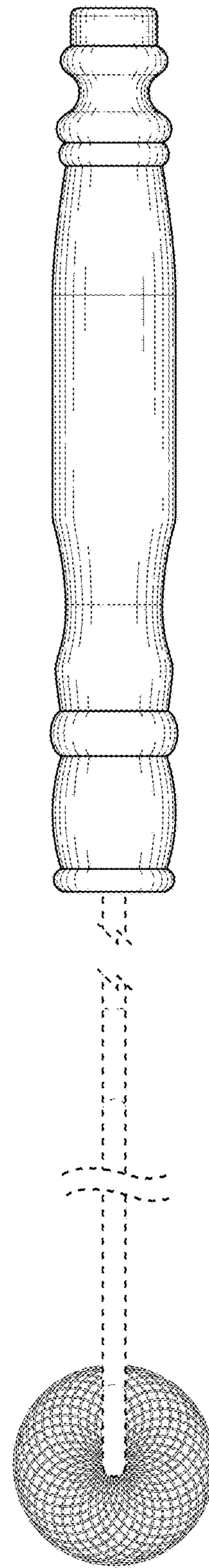


FIG. 3

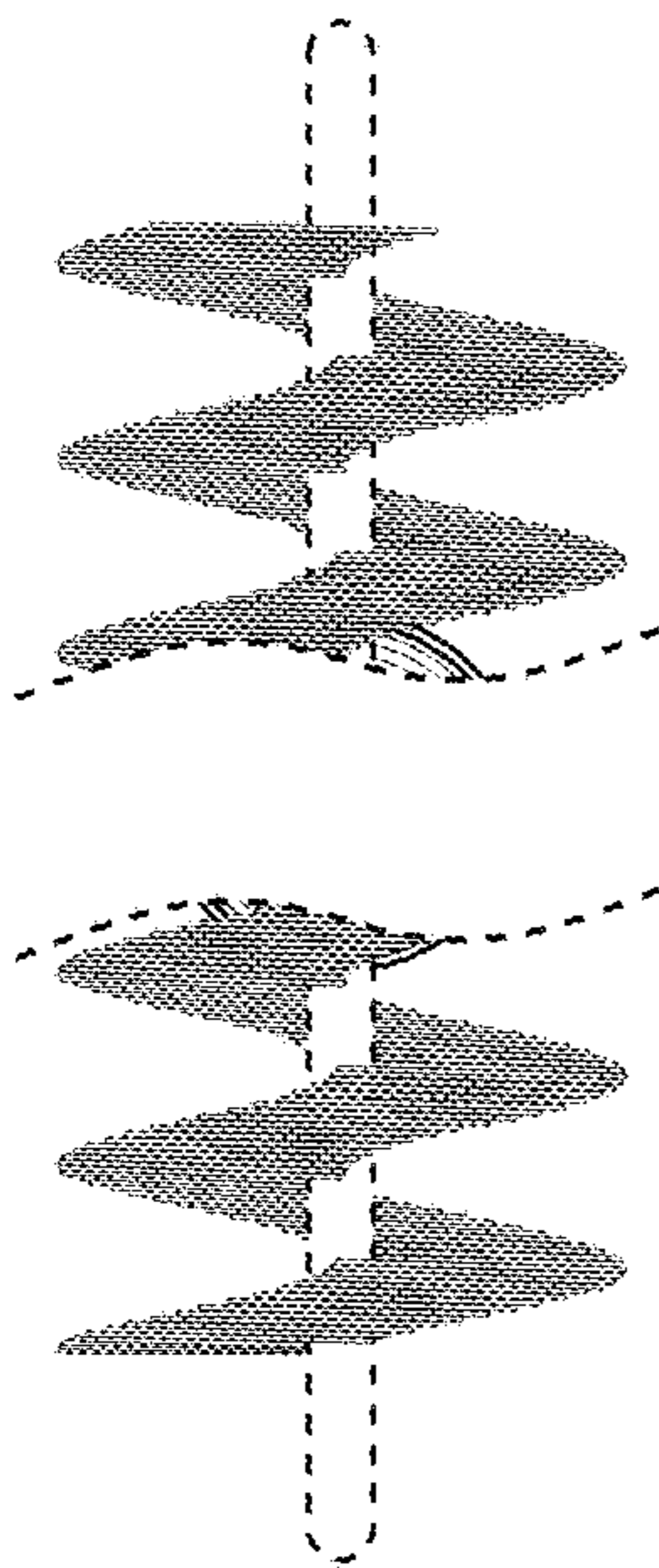


FIG. 4

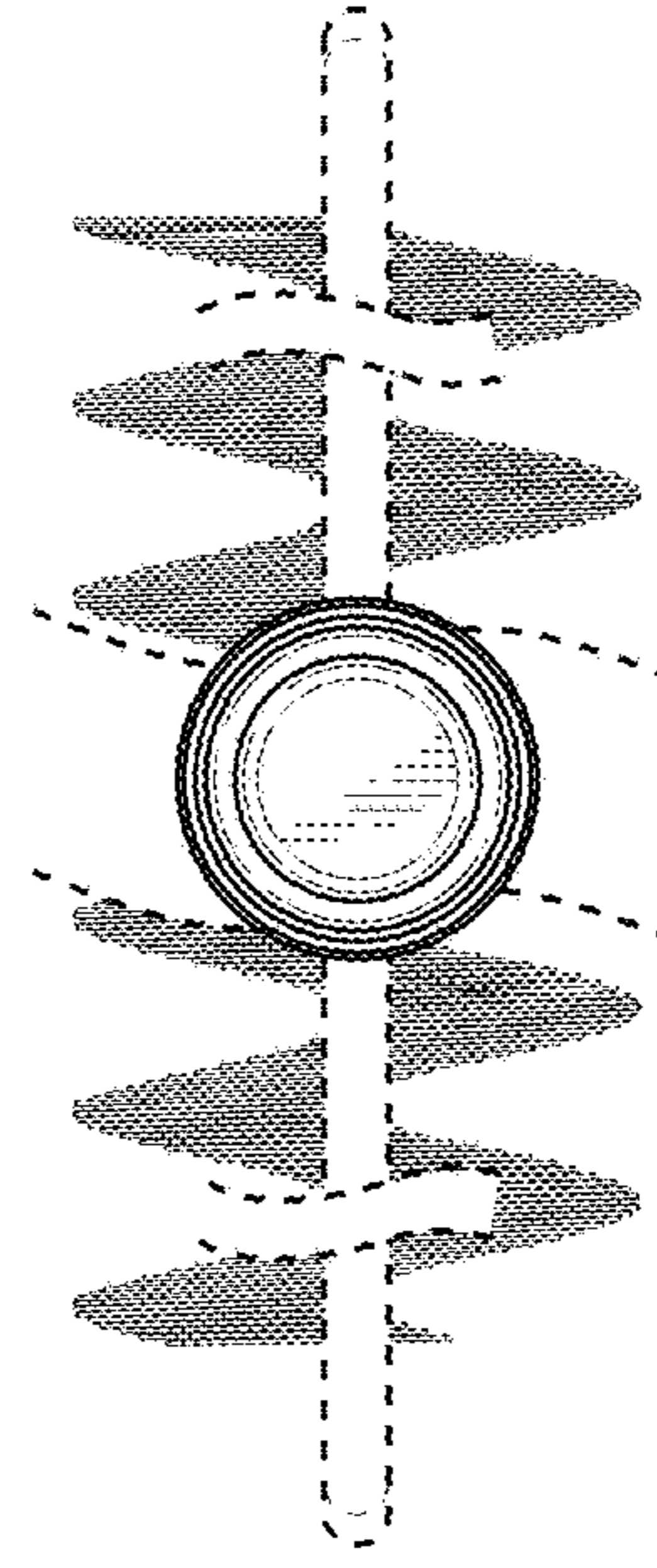


FIG. 5

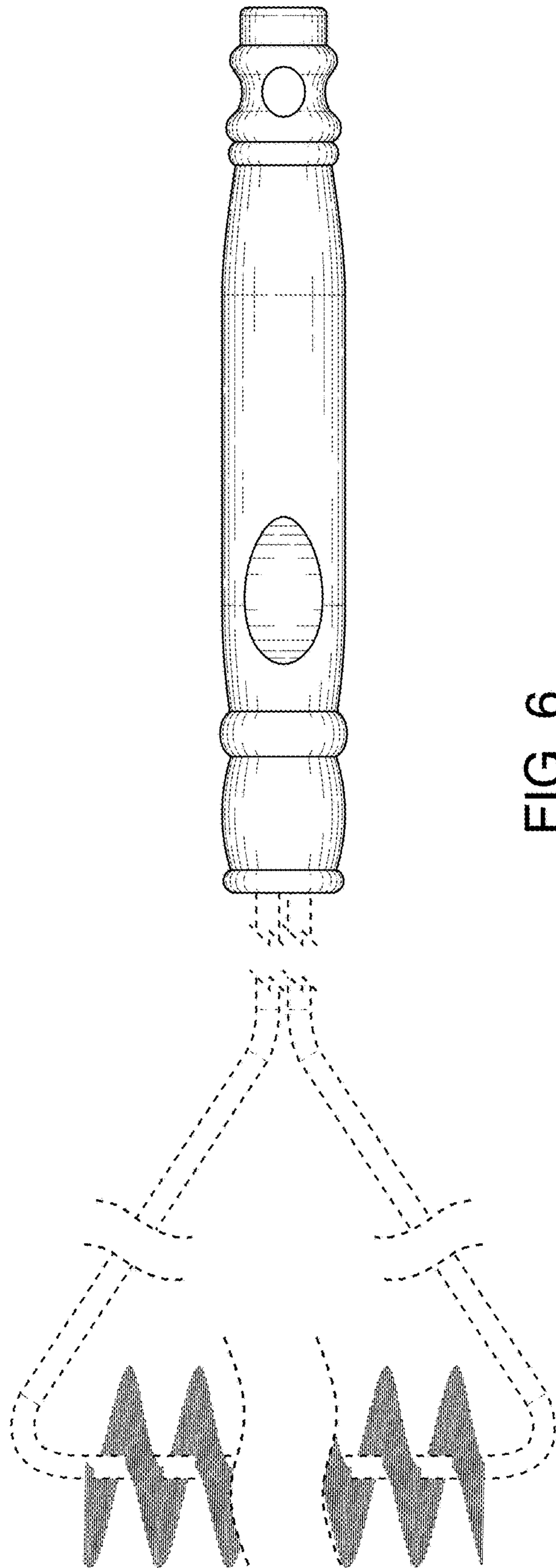


FIG. 6

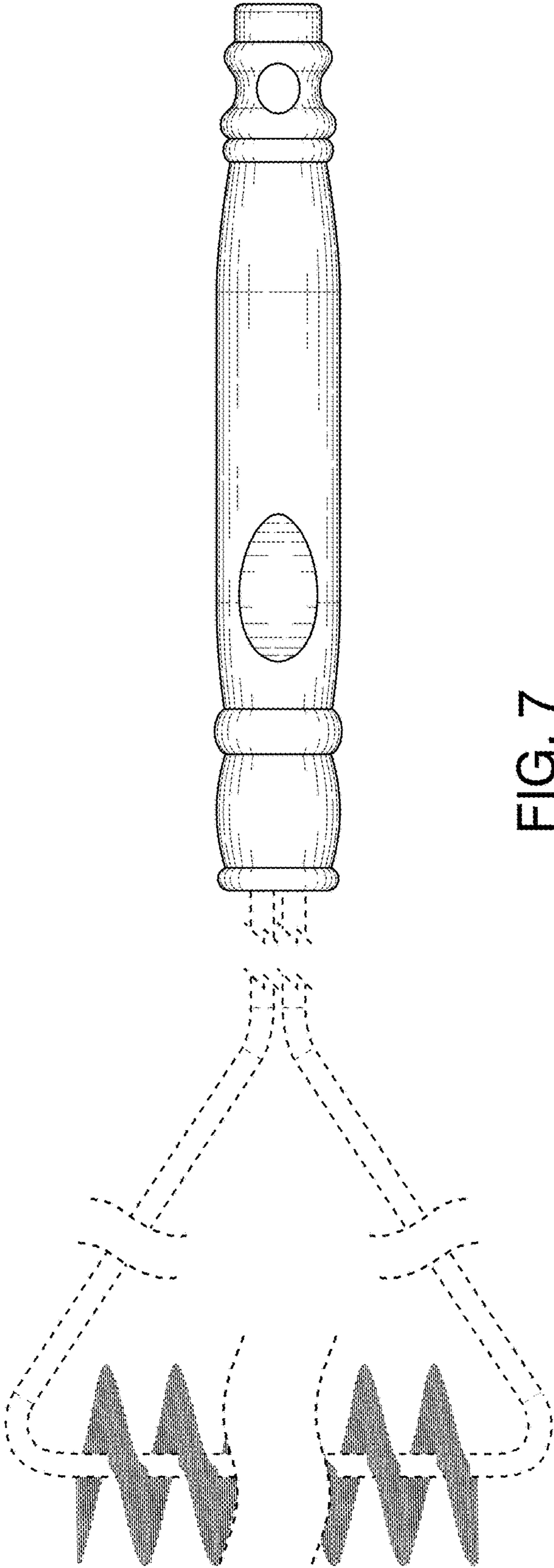


FIG. 7

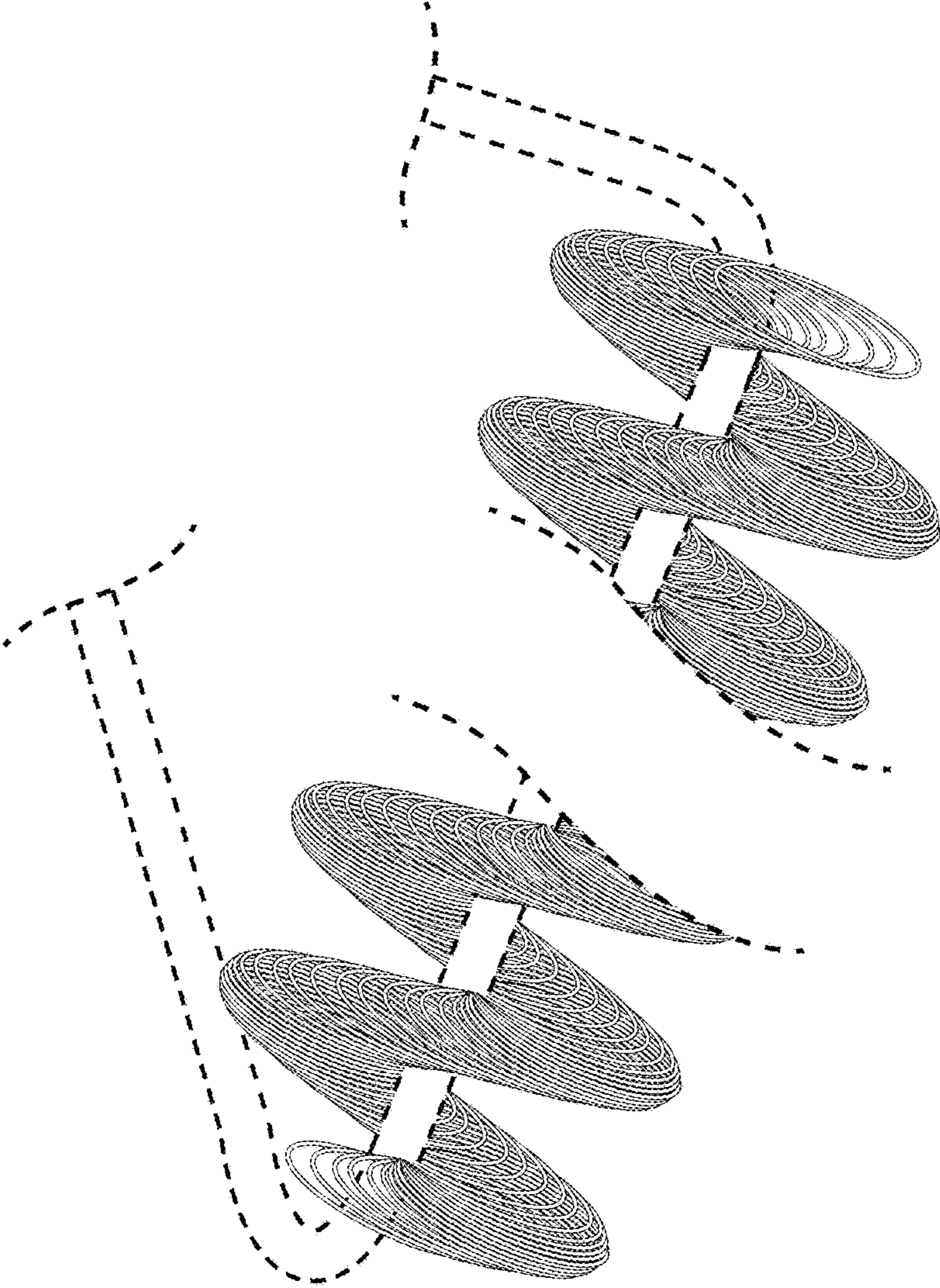


FIG. 8

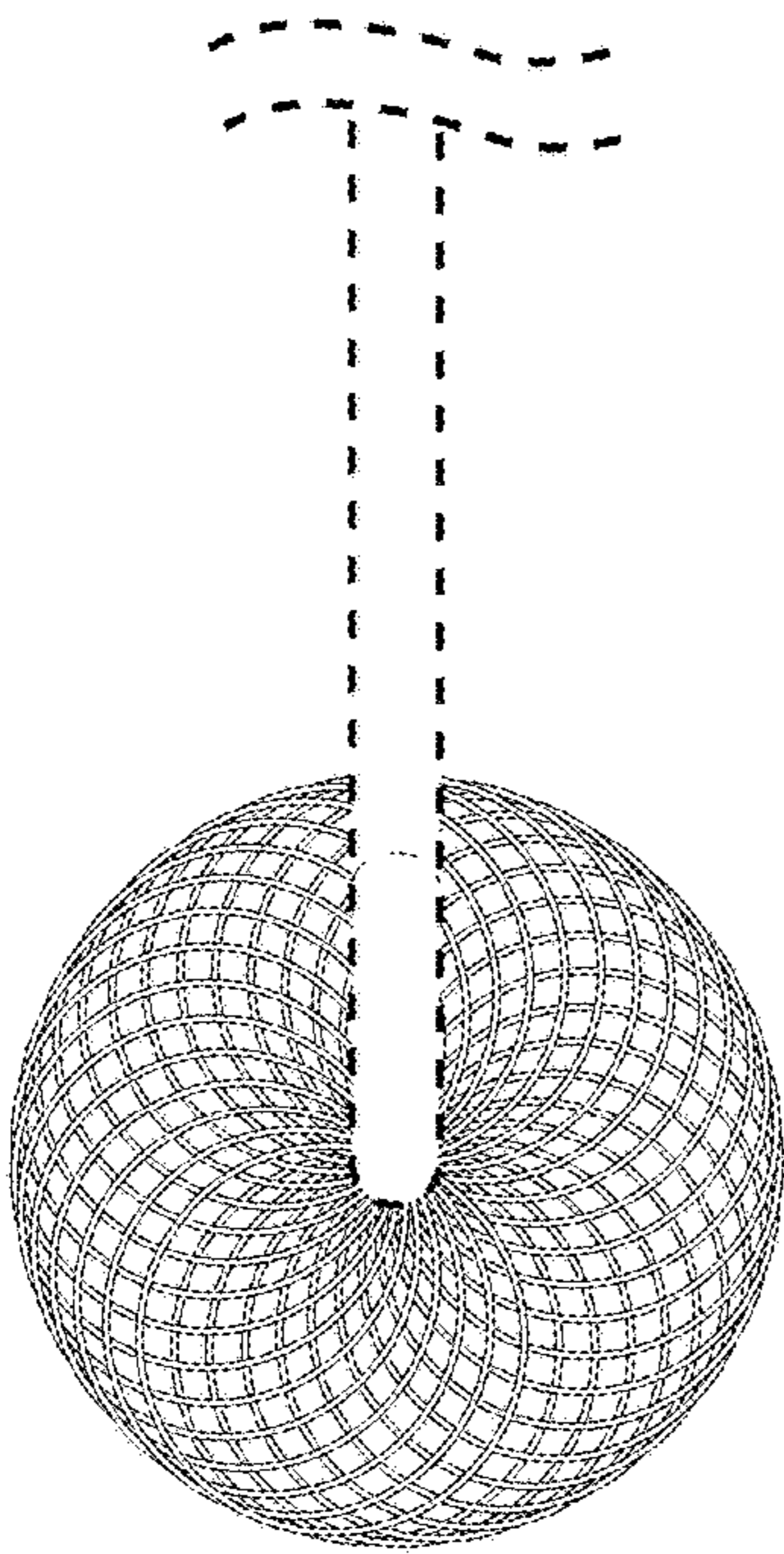


FIG. 9

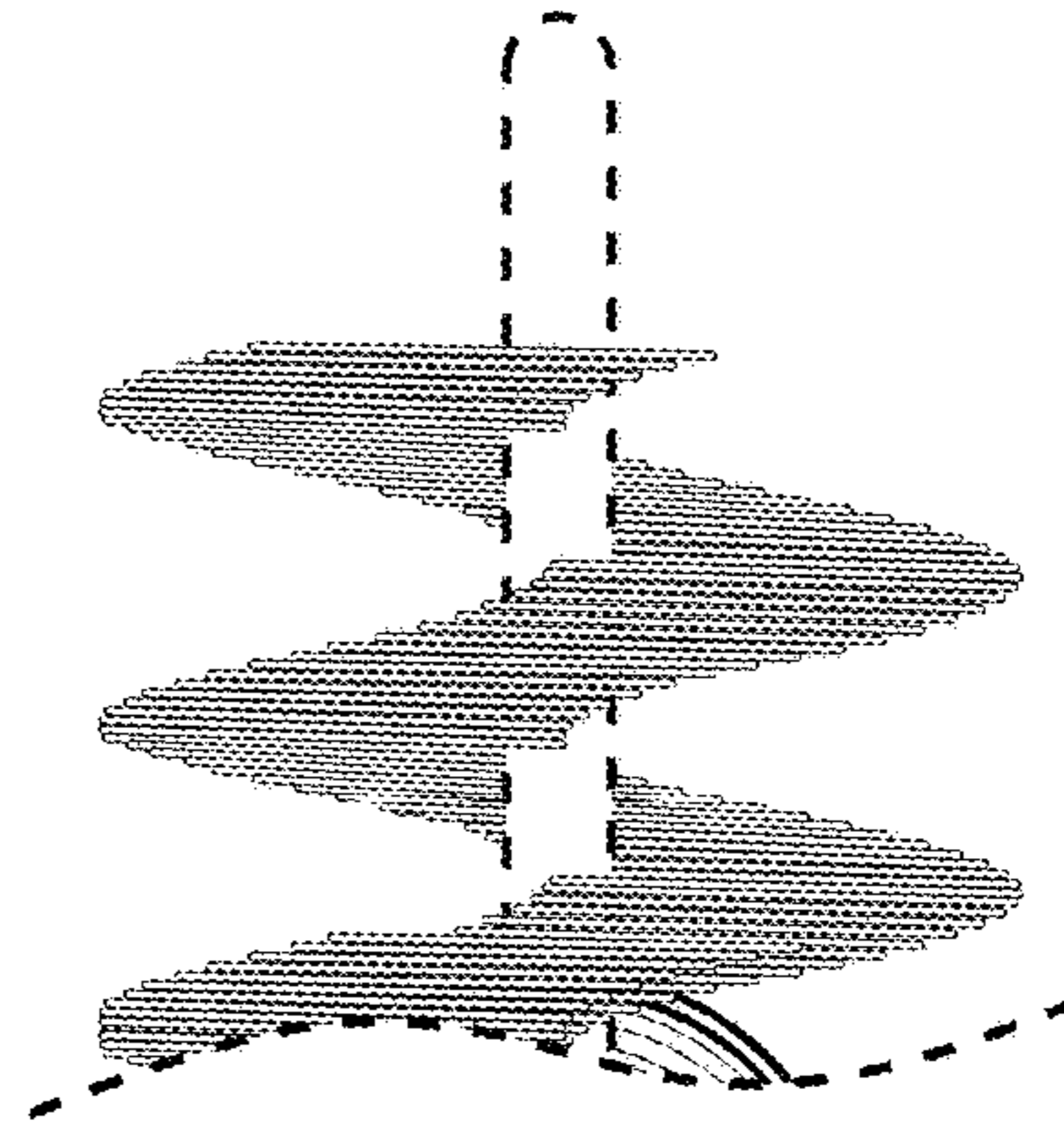


FIG. 10