



US00D816345S

(12) **United States Design Patent** (10) **Patent No.:** **US D816,345 S**  
**Tai** (45) **Date of Patent:** **\*\* May 1, 2018**

(54) **VIBRATING SKIN CLEANSING BRUSH**  
(71) Applicant: **Gizmospring.com Dongguan.limited,**  
Dongguan (CN)  
(72) Inventor: **Kenny Chih-Yao Tai,** Dongguan (CN)  
(73) Assignee: **GIZMOSPRING.COM**  
**DONGGUAN.LIMITED,** Dongguan  
(CN)

D713,150 S \* 9/2014 Maurin ..... D4/102  
D715,554 S \* 10/2014 Hosler ..... D4/102  
D715,555 S \* 10/2014 Hosler ..... D4/102  
D728,242 S \* 5/2015 Kim ..... D4/102  
D739,145 S \* 9/2015 von Berg ..... D4/102  
D750,893 S \* 3/2016 Owen ..... D4/100  
D753,400 S \* 4/2016 Khoun ..... D4/102  
D760,498 S \* 7/2016 Kim ..... D4/102  
D781,588 S \* 3/2017 Lee ..... D4/102  
D803,572 S \* 11/2017 Nichols ..... D4/102

\* cited by examiner

(\*\*) Term: **15 Years**  
(21) Appl. No.: **29/590,603**  
(22) Filed: **Jan. 11, 2017**

*Primary Examiner* — Wan Laymon  
*Assistant Examiner* — Clint A Samuel  
(74) *Attorney, Agent, or Firm* — Davis Wright Tremaine  
LLP; Heather M. Colburn

(30) **Foreign Application Priority Data**  
Jul. 15, 2016 (CN) ..... 2016 3 0324781  
(51) **LOC (11) Cl.** ..... **04-02**  
(52) **U.S. Cl.**  
USPC ..... **D4/100**  
(58) **Field of Classification Search**  
USPC ..... D4/100, 102, 111, 116–118, 127, 128,  
D4/132–134, 138, 199; D30/158, 159;  
D28/58, 62, 64.3, 63.4, 64.6, 68, 82;  
D8/301; D24/211, 214, 215; 601/114,  
601/125, 136; 119/600  
CPC ..... A46B 13/00; A46B 13/001; A46B 5/00;  
A46B 5/0095; A46B 5/021; A46B  
2200/102; A46B 2200/104; A46B  
2200/205; A46B 2200/1046; A46B  
2200/1093  
See application file for complete search history.

(57) **CLAIM**

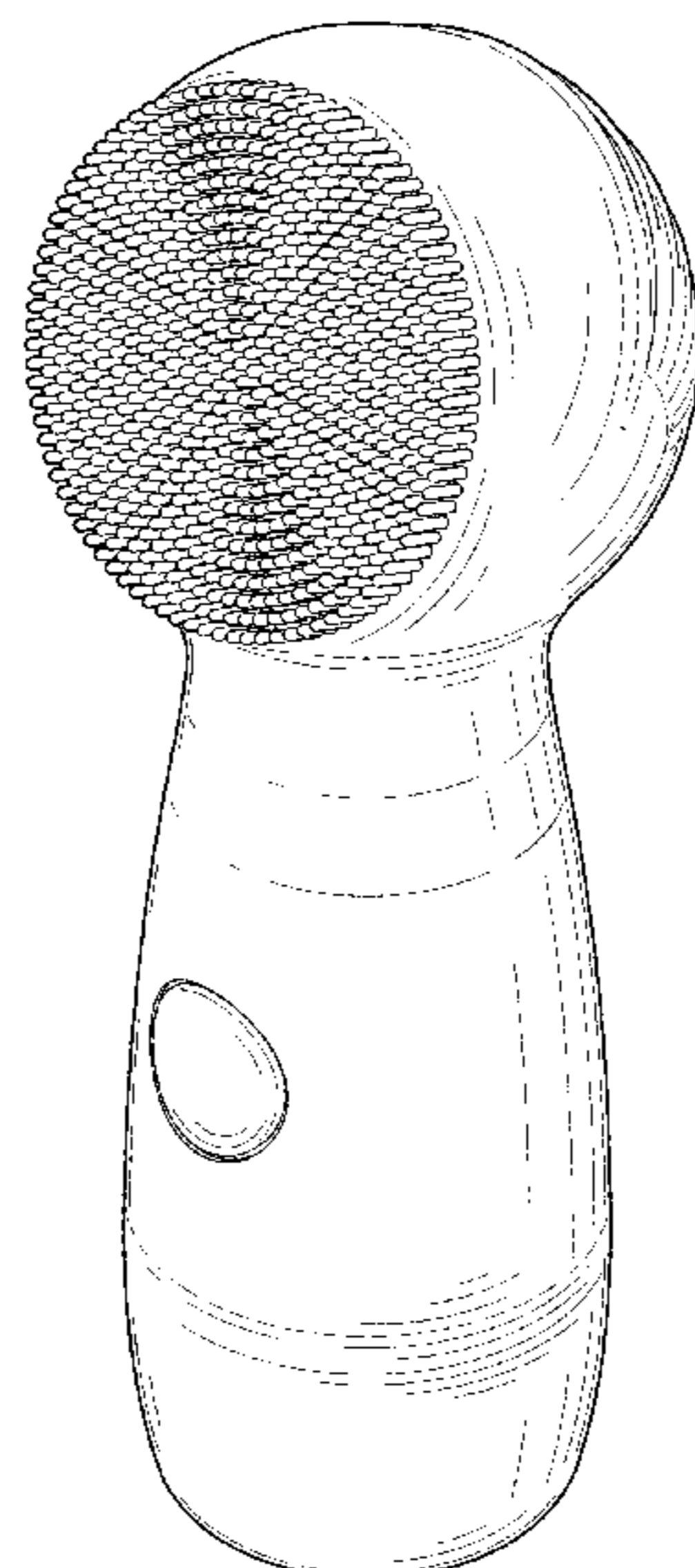
The ornamental design for a vibrating skin cleansing brush,  
as shown and described.

**DESCRIPTION**

FIG. 1 is a top right side perspective view of a vibrating skin  
cleansing brush showing my new design.  
FIG. 2 is a bottom left side perspective view thereof.  
FIG. 3 is a front elevation view thereof.  
FIG. 4 is a right side elevation view thereof.  
FIG. 5 is a left side elevation view thereof.  
FIG. 6 is a rear elevation view thereof.  
FIG. 7 is a top plan view thereof; and,  
FIG. 8 is a bottom plan view thereof.  
The broken lines represent portions of the vibrating skin  
cleansing brush that form no part of the claim.

(56) **References Cited**  
U.S. PATENT DOCUMENTS  
D200,525 S \* 3/1965 Kellogg ..... D24/211  
D646,487 S \* 10/2011 Leppla ..... D4/102

**1 Claim, 7 Drawing Sheets**



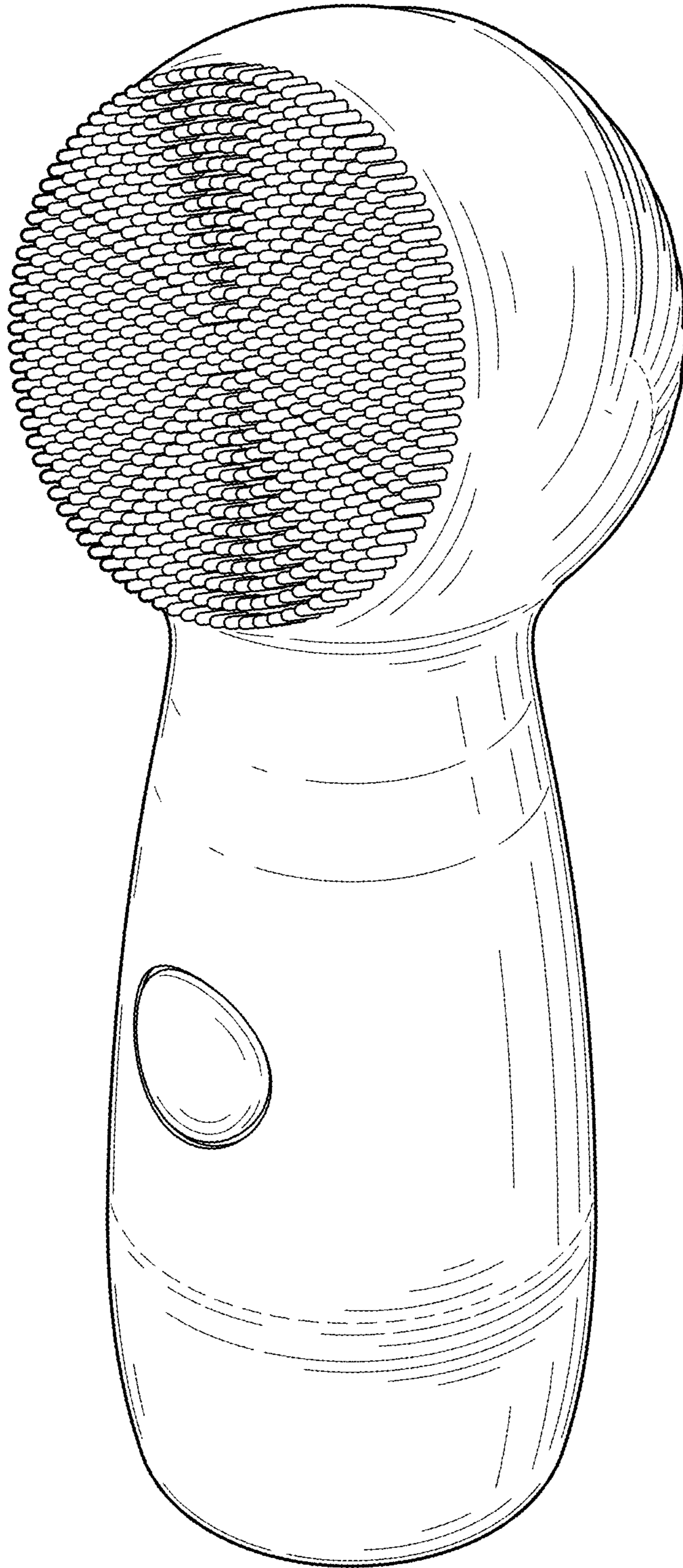


FIG. 1

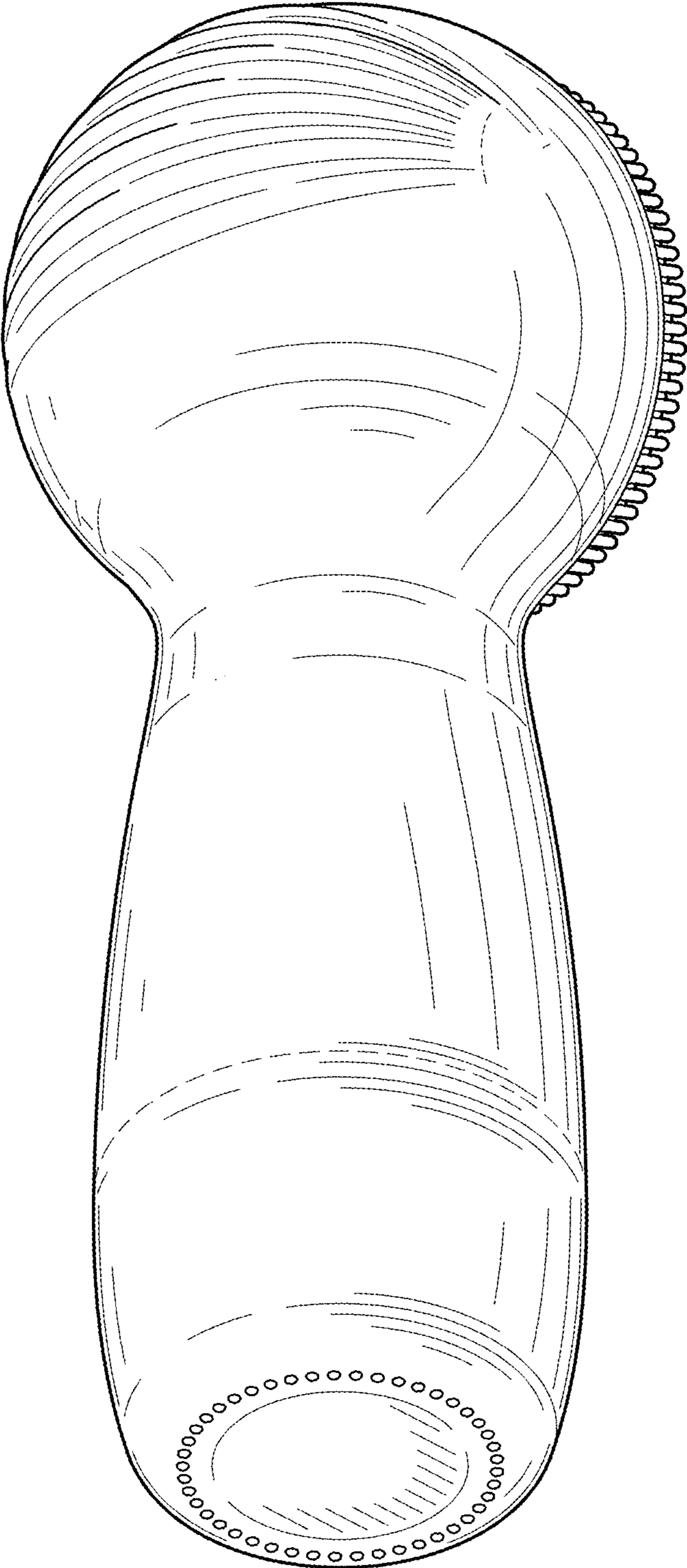


FIG. 2

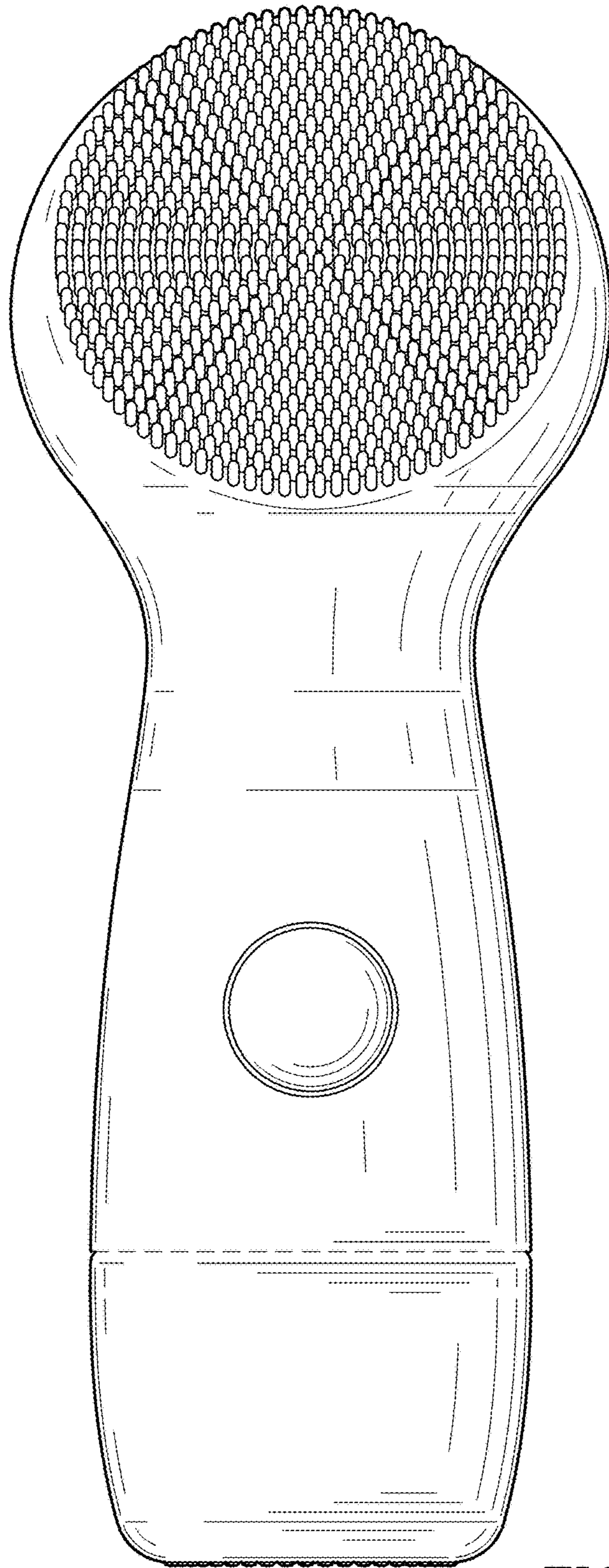


FIG. 3

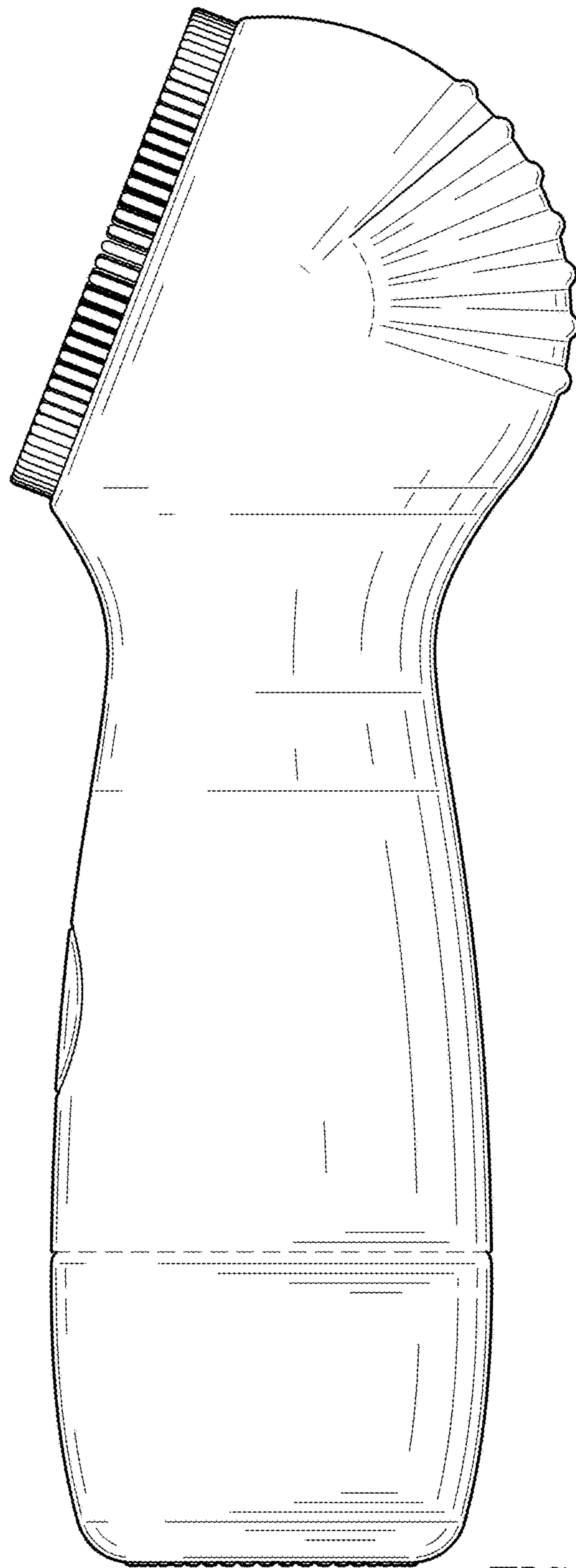


FIG. 4

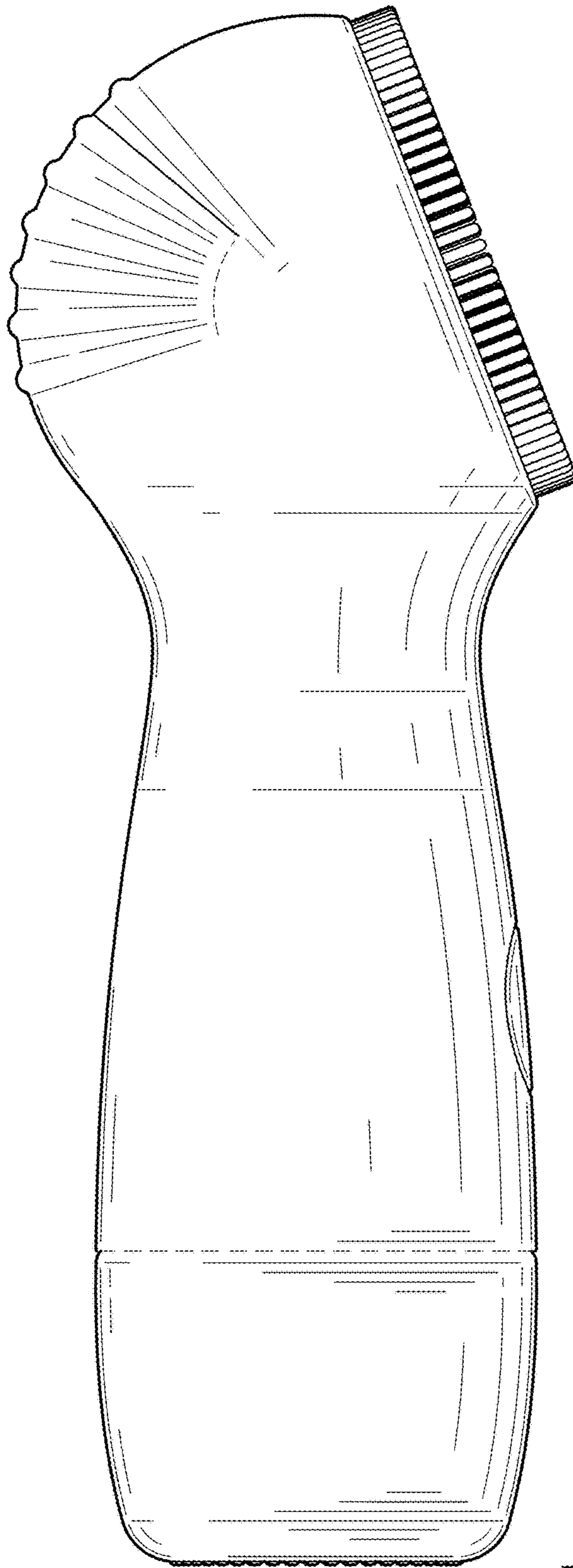


FIG. 5

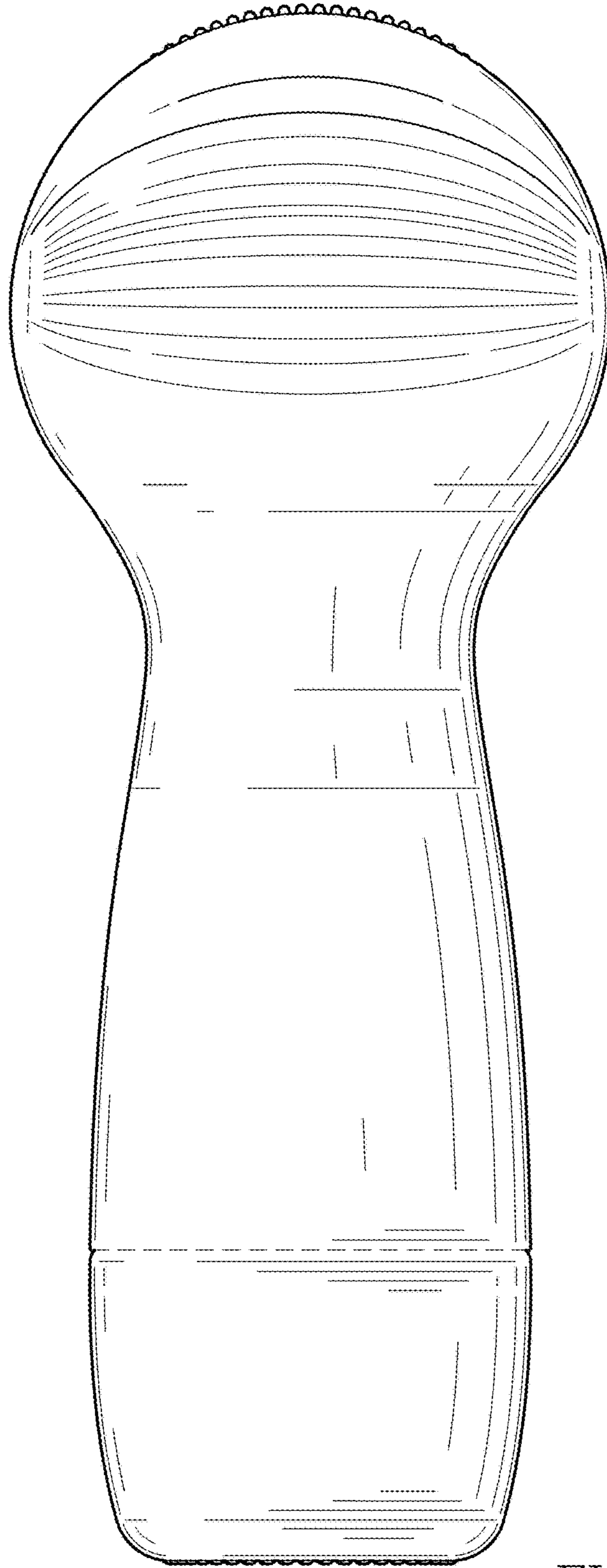


FIG. 6

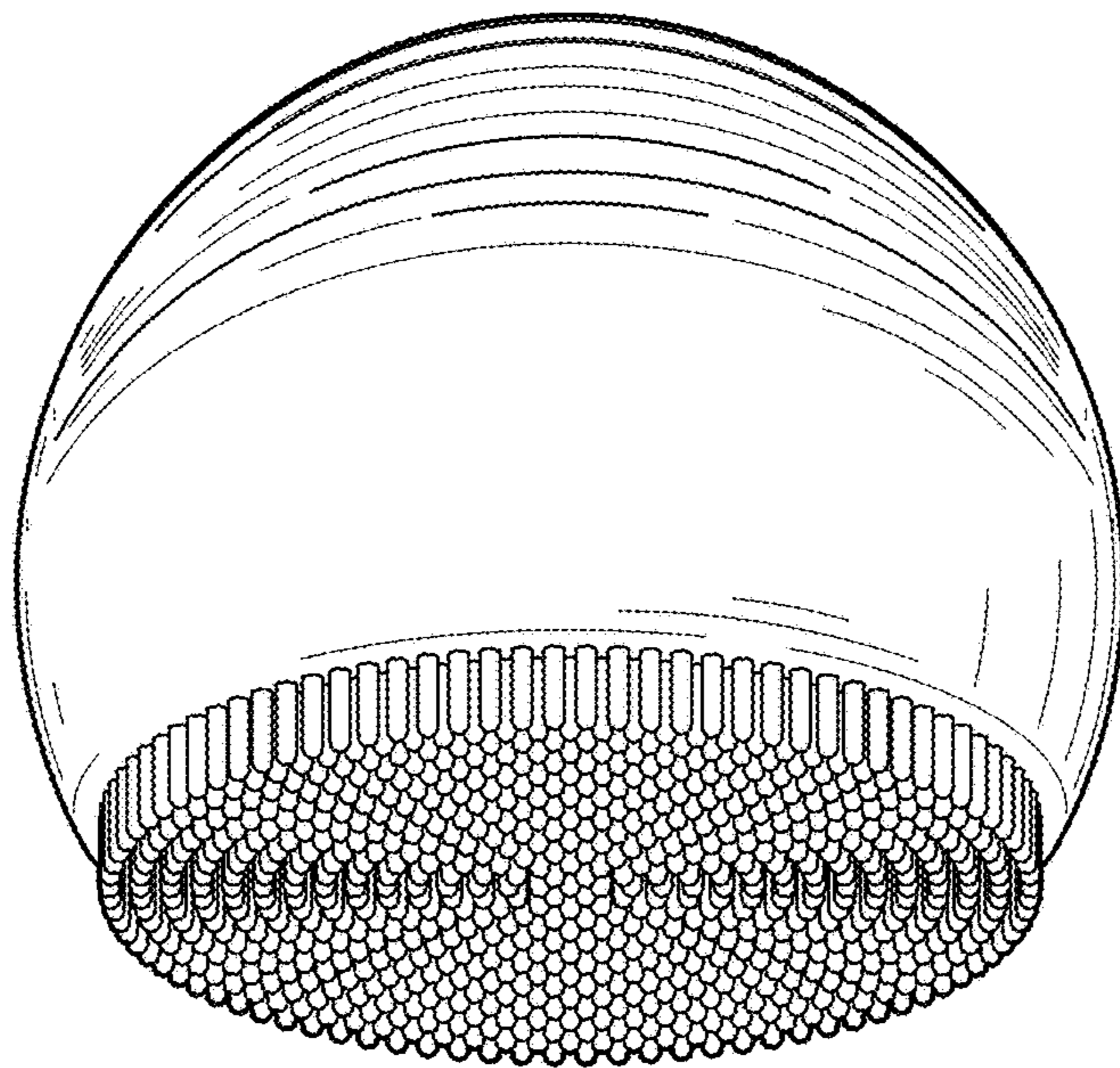


FIG. 7

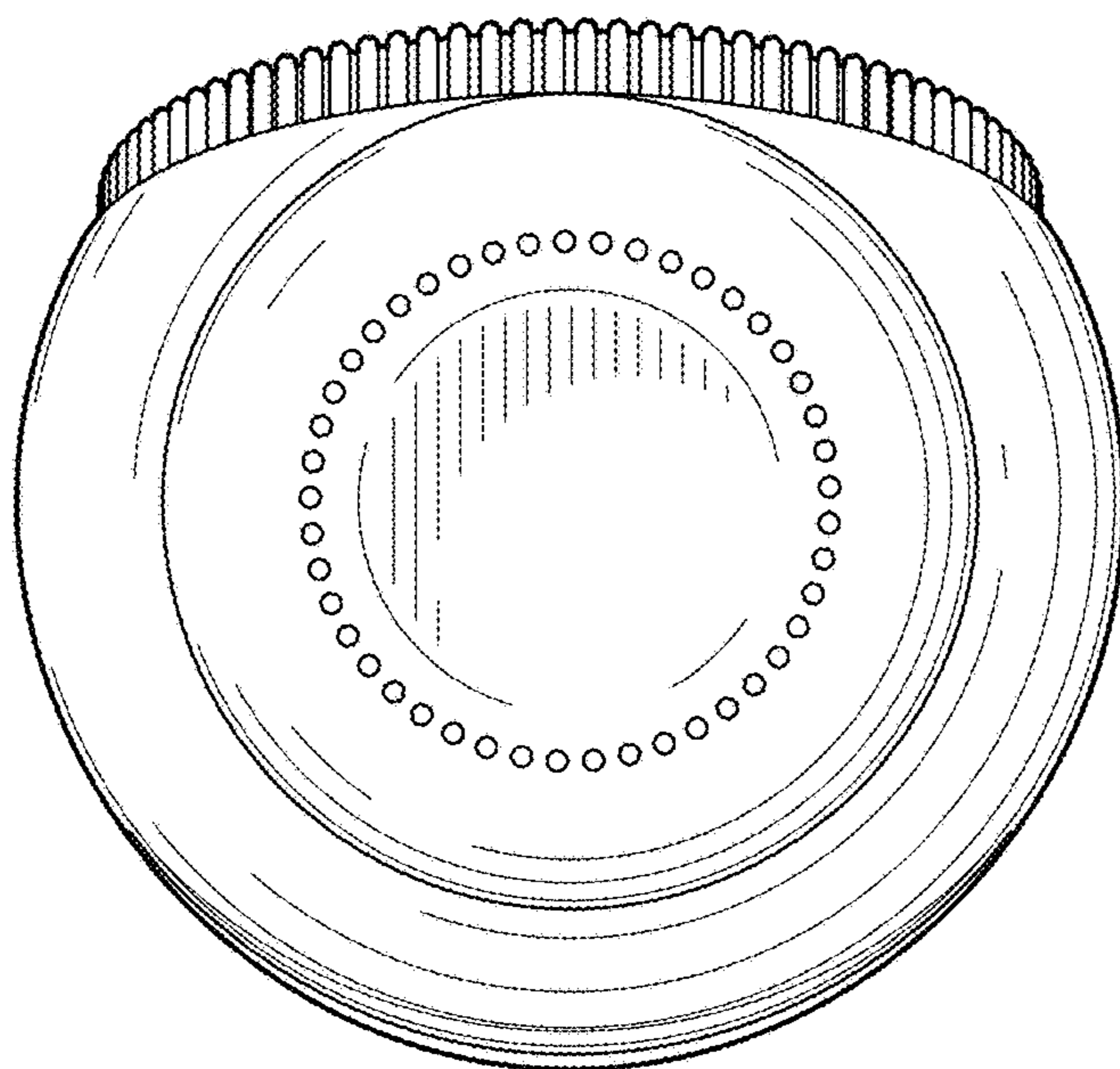


FIG. 8