



US00D816344S

(12) **United States Design Patent** (10) **Patent No.:** **US D816,344 S**
Tai (45) **Date of Patent:** **** May 1, 2018**

(54) **VIBRATING SKIN CLEANSING BRUSH**
(71) Applicant: **Gizmospring.com Dongguan.limited,**
Dongguan (CN)
(72) Inventor: **Kenny Chih-Yao Tai,** Dongguan (CN)
(73) Assignee: **GIZMOSPRING.COM**
DONGGUAN.LIMITED, Dongguan
(CN)

D713,150 S * 9/2014 Maurin D4/102
D715,554 S * 10/2014 Hosler D4/102
D715,555 S * 10/2014 Hosler D4/102
D728,242 S * 5/2015 Kim D4/102
D739,145 S * 9/2015 von Berg D4/102
D750,893 S * 3/2016 Owen D4/100
D753,400 S * 4/2016 Khoun D4/102
D760,498 S * 7/2016 Kim D4/102
D781,588 S * 3/2017 Lee D4/102
D803,572 S * 11/2017 Nichols D4/102

* cited by examiner

(**) Term: **15 Years**
(21) Appl. No.: **29/590,600**
(22) Filed: **Jan. 11, 2017**

Primary Examiner — Wan Laymon
Assistant Examiner — Clint A Samuel
(74) *Attorney, Agent, or Firm* — Davis Wright Tremaine
LLP; Heather M. Colburn

(30) **Foreign Application Priority Data**
Jul. 15, 2016 (CN) 2016 3 0325112
(51) **LOC (11) Cl.** **04-02**
(52) **U.S. Cl.**
USPC **D4/100**
(58) **Field of Classification Search**
USPC D4/100, 102, 111, 116–118, 127, 128,
D4/132–134, 138, 199; D30/158, 159;
D28/58, 62, 64.3, 63.4, 64.6, 68, 82;
D8/301; D24/211, 214, 215; 601/114,
601/125, 136; 119/600
CPC A46B 13/00; A46B 13/001; A46B 5/00;
A46B 5/0095; A46B 5/021; A46B
2200/102; A46B 2200/104; A46B
2200/205; A46B 2200/1046; A46B
2200/1093
See application file for complete search history.

(57) **CLAIM**

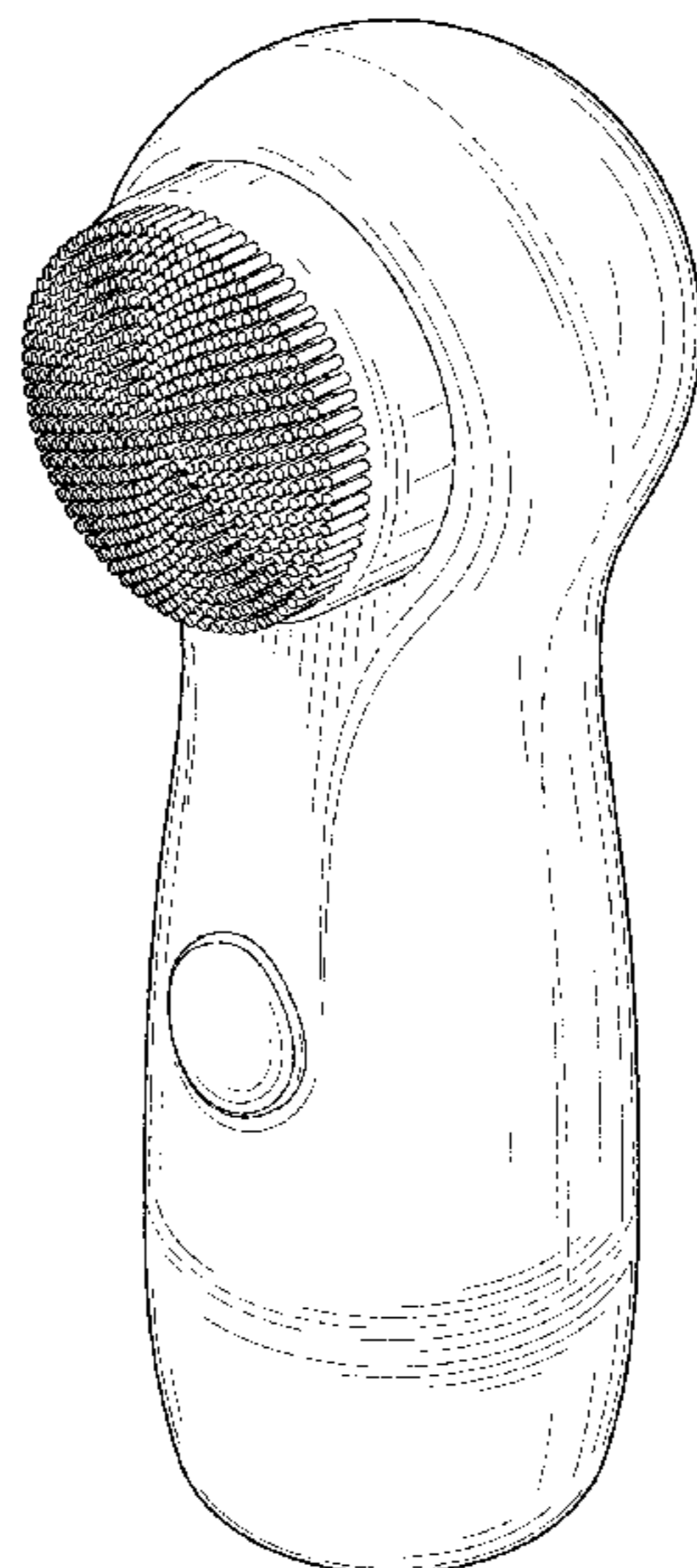
The ornamental design for a vibrating skin cleansing brush,
as shown and described.

DESCRIPTION

FIG. 1 is a top right side perspective view of a vibrating skin
cleansing brush showing my new design.
FIG. 2 is a bottom left side perspective view thereof.
FIG. 3 is a front elevation view thereof.
FIG. 4 is a right side elevation view thereof.
FIG. 5 is a left side elevation view thereof.
FIG. 6 is a rear elevation view thereof.
FIG. 7 is a top plan view thereof; and,
FIG. 8 is a bottom plan view thereof.
The broken lines represent portions of the vibrating skin
cleansing brush that form no part of the claim.

(56) **References Cited**
U.S. PATENT DOCUMENTS
D200,525 S * 3/1965 Kellogg D24/211
D646,487 S * 10/2011 Leppla D4/102

1 Claim, 7 Drawing Sheets



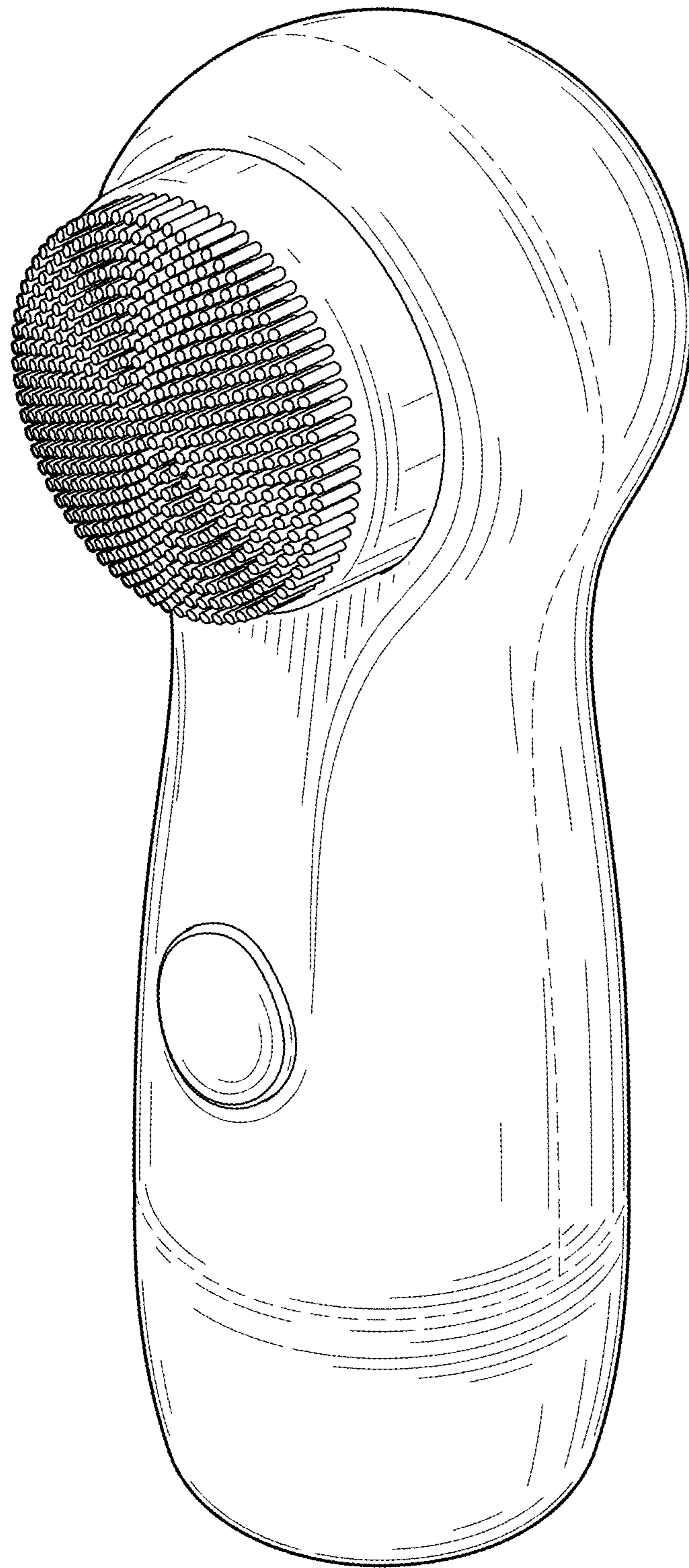


FIG. 1

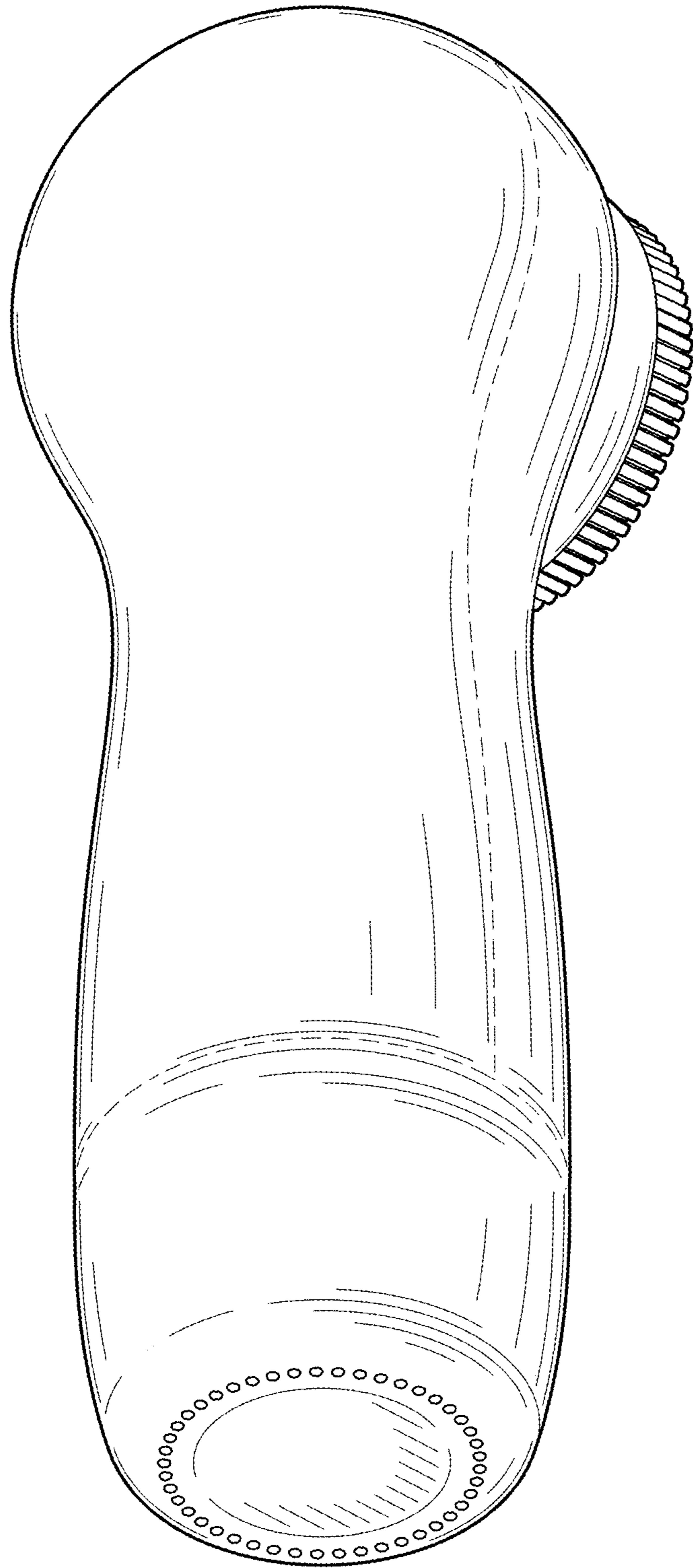


FIG. 2

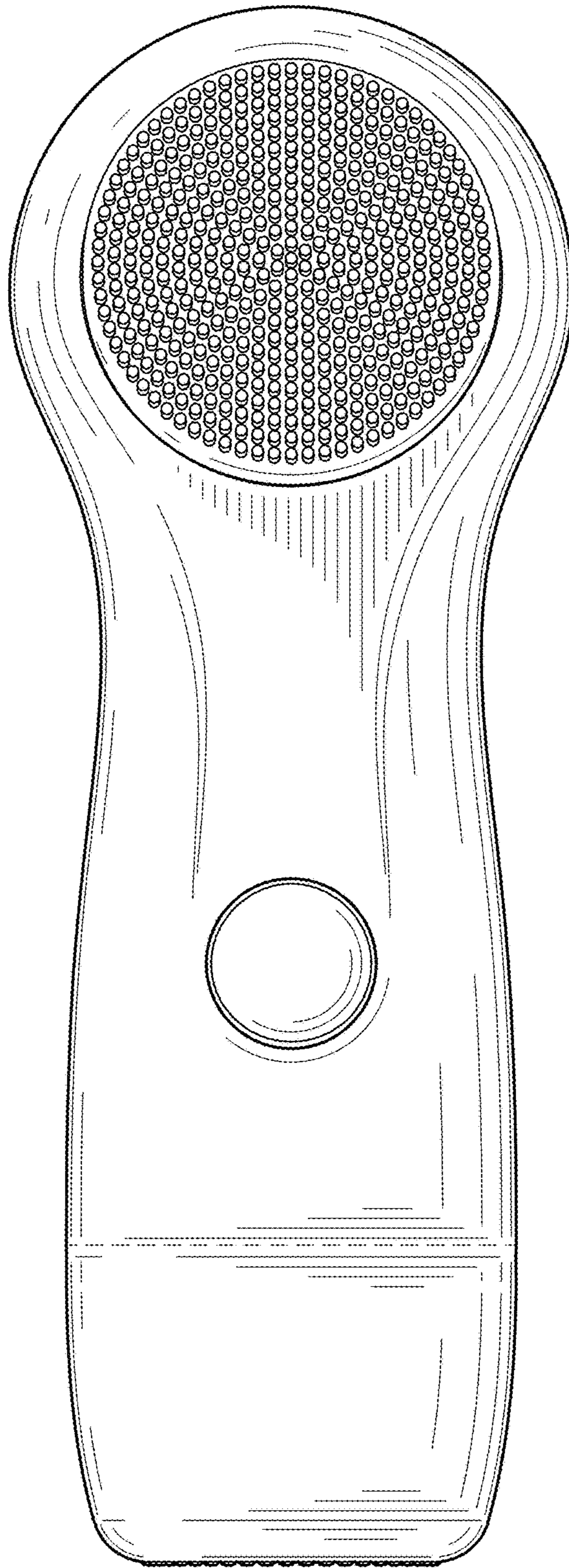


FIG. 3

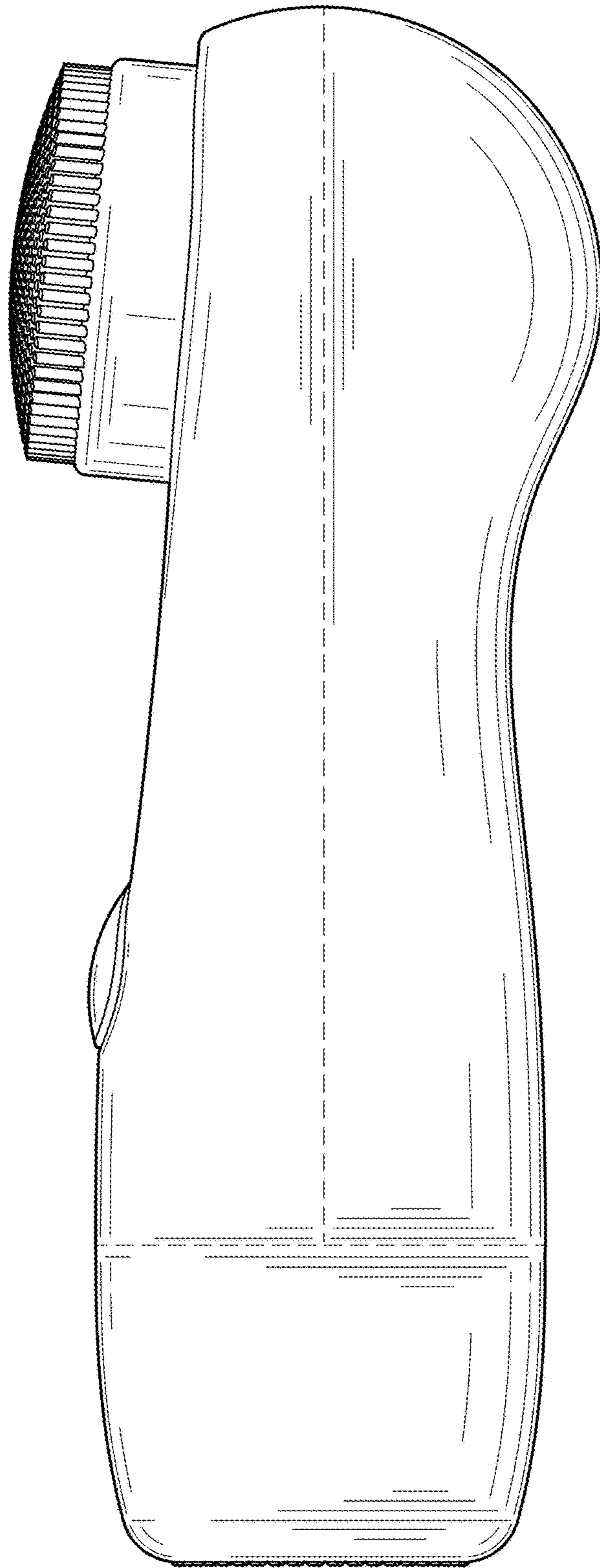


FIG. 4

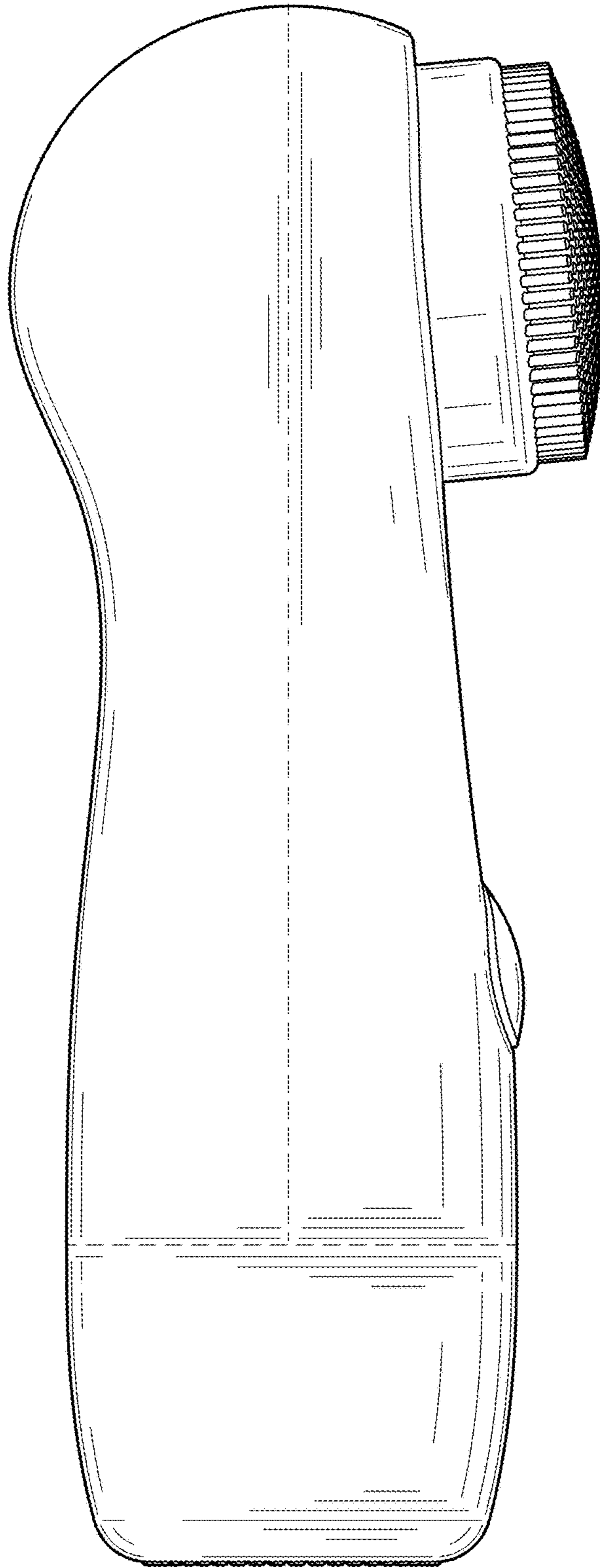


FIG. 5

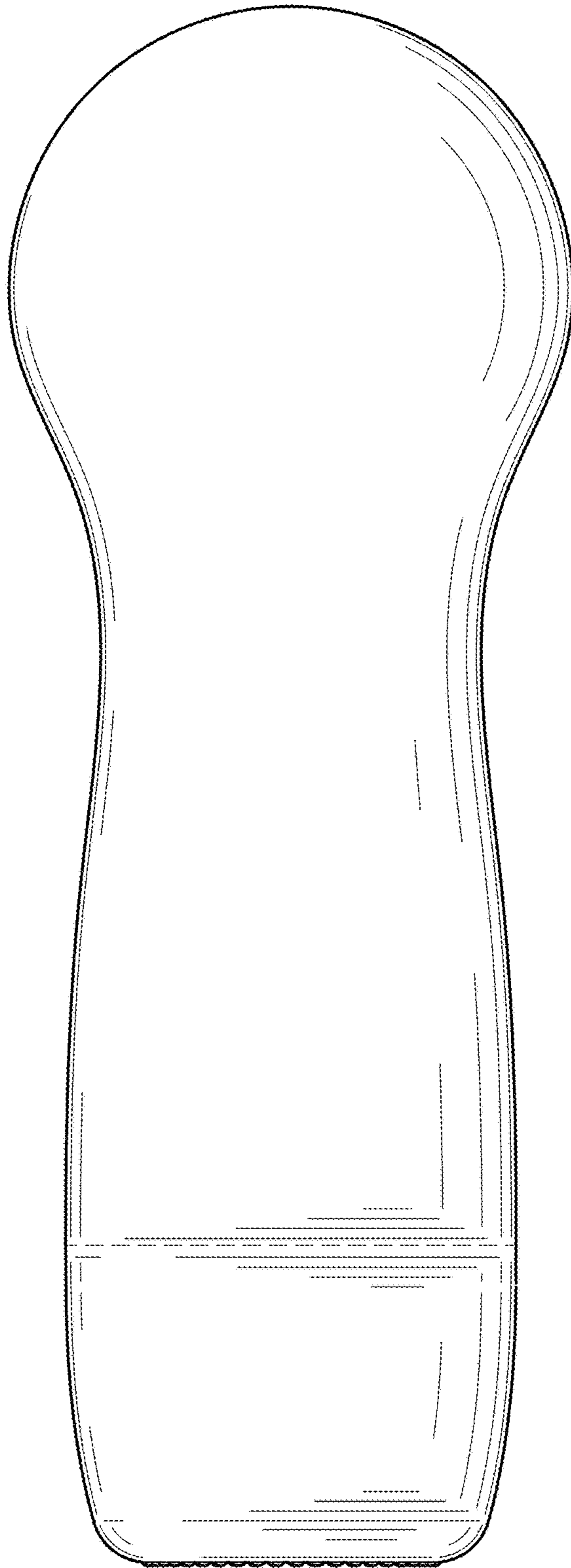


FIG. 6

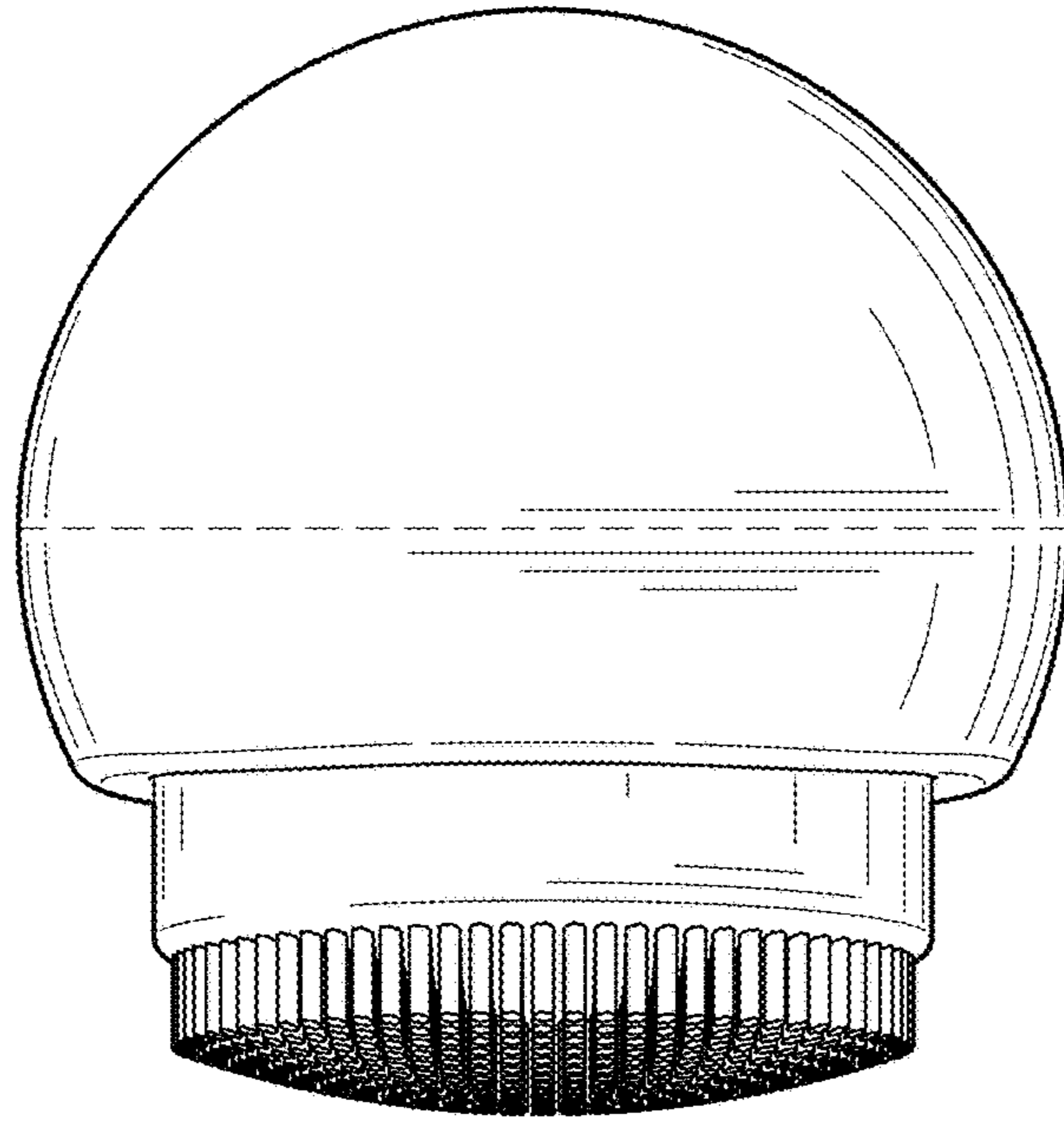


FIG. 7

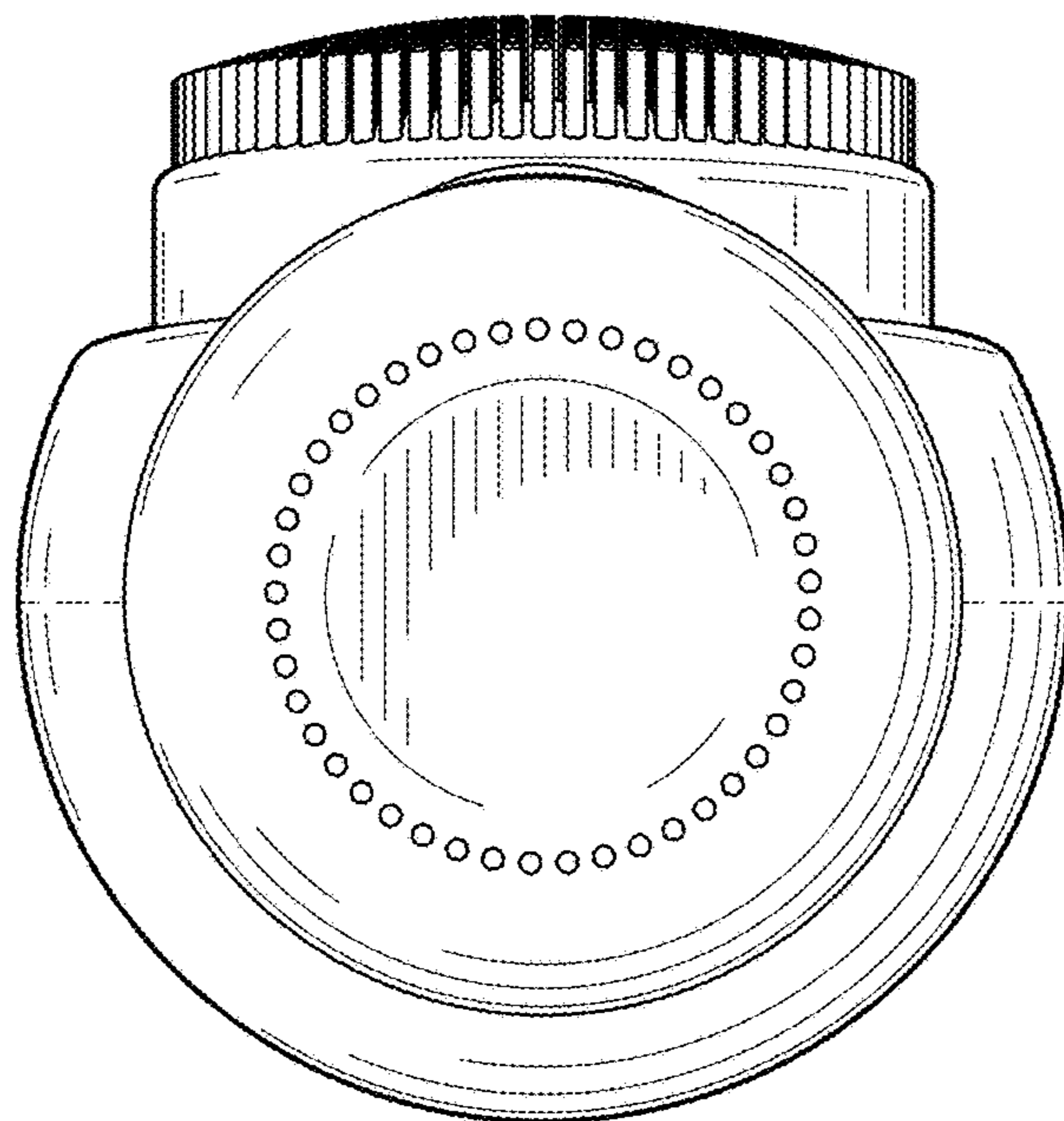


FIG. 8