



US00D816341S

(12) **United States Design Patent** (10) **Patent No.:** **US D816,341 S**  
**Schiller et al.** (45) **Date of Patent:** **\*\* May 1, 2018**

(54) **TAG-LOOP CARRIER ASSEMBLY**  
(71) Applicant: **Bedford Industries, Inc.**, Worthington, MN (US)  
(72) Inventors: **David Schiller**, Sioux Falls, SD (US); **Curtis John Heinrichs**, Sibley, IA (US)  
(73) Assignee: **Bedford Industries, Inc.**, Worthington, MN (US)  
(\*\*) Term: **15 Years**

D712,154 S \* 9/2014 Schiller ..... D3/328  
D723,621 S \* 3/2015 Heinrichs ..... D20/22  
D762,985 S \* 8/2016 Schiller ..... D3/328  
2005/0166439 A1\* 8/2005 Ludlow ..... G09F 3/14  
40/665  
2009/0188144 A1\* 7/2009 Ludlow ..... G09F 3/04  
40/665

\* cited by examiner

*Primary Examiner* — Holly H Baynham  
(74) *Attorney, Agent, or Firm* — James L. Young; Westman, Champlin & Koehler, P.A.

(21) Appl. No.: **29/569,353**  
(22) Filed: **Jun. 27, 2016**

(57) **CLAIM**

The ornamental design for a tag-loop carrier assembly, as shown and described.

**Related U.S. Application Data**

(60) Division of application No. 29/542,306, filed on Oct. 13, 2015, now Pat. No. Des. 762,985, which is a continuation of application No. 29/496,818, filed on Jul. 17, 2014, now abandoned, which is a division of application No. 29/437,913, filed on Nov. 21, 2012, now Pat. No. Des. 712,154.

**DESCRIPTION**

FIG. 1 is a front view of a tag-loop carrier assembly; FIG. 2 is a back view thereof; FIG. 3 is a top view thereof; FIG. 4 is a bottom view thereof; FIG. 5 is a side view thereof, as taken from the left side of FIG. 1; FIG. 6 is a side view thereof; as taken from the right side of FIG. 1; and, FIG. 7 is a sectional view as taken along lines 7-7 in FIG. 1.

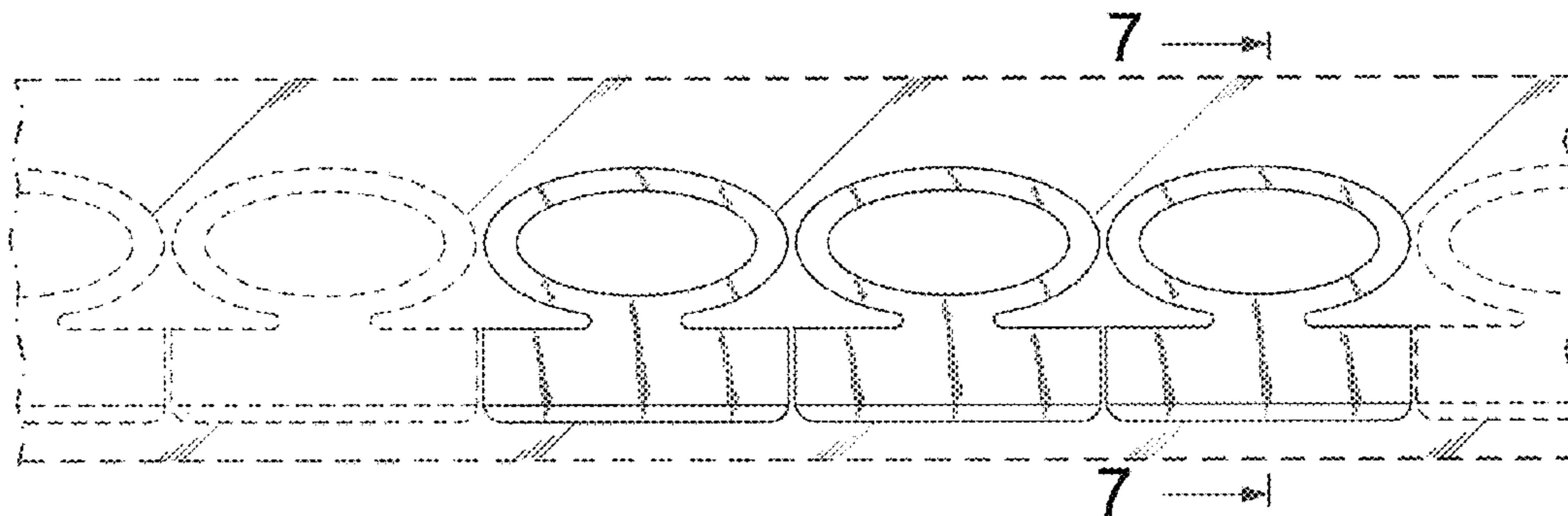
(51) **LOC (11) Cl.** ..... **03-01**  
(52) **U.S. Cl.**  
USPC ..... **D3/328**; D3/318  
(58) **Field of Classification Search**  
USPC ..... D3/318, 328  
CPC ..... G09F 3/18; B65D 69/00  
See application file for complete search history.

The evenly spaced broken lines are for the purpose of illustrating environment and form no part of the claimed design. The dot-dash-dot broken away lines in the drawings indicate that any portion of the article beyond what is shown forms no part of the claimed design.

(56) **References Cited**  
U.S. PATENT DOCUMENTS

D532,049 S \* 11/2006 Ludlow ..... D20/22  
7,836,622 B1 \* 11/2010 King ..... G09F 3/0289  
206/820

**1 Claim, 2 Drawing Sheets**



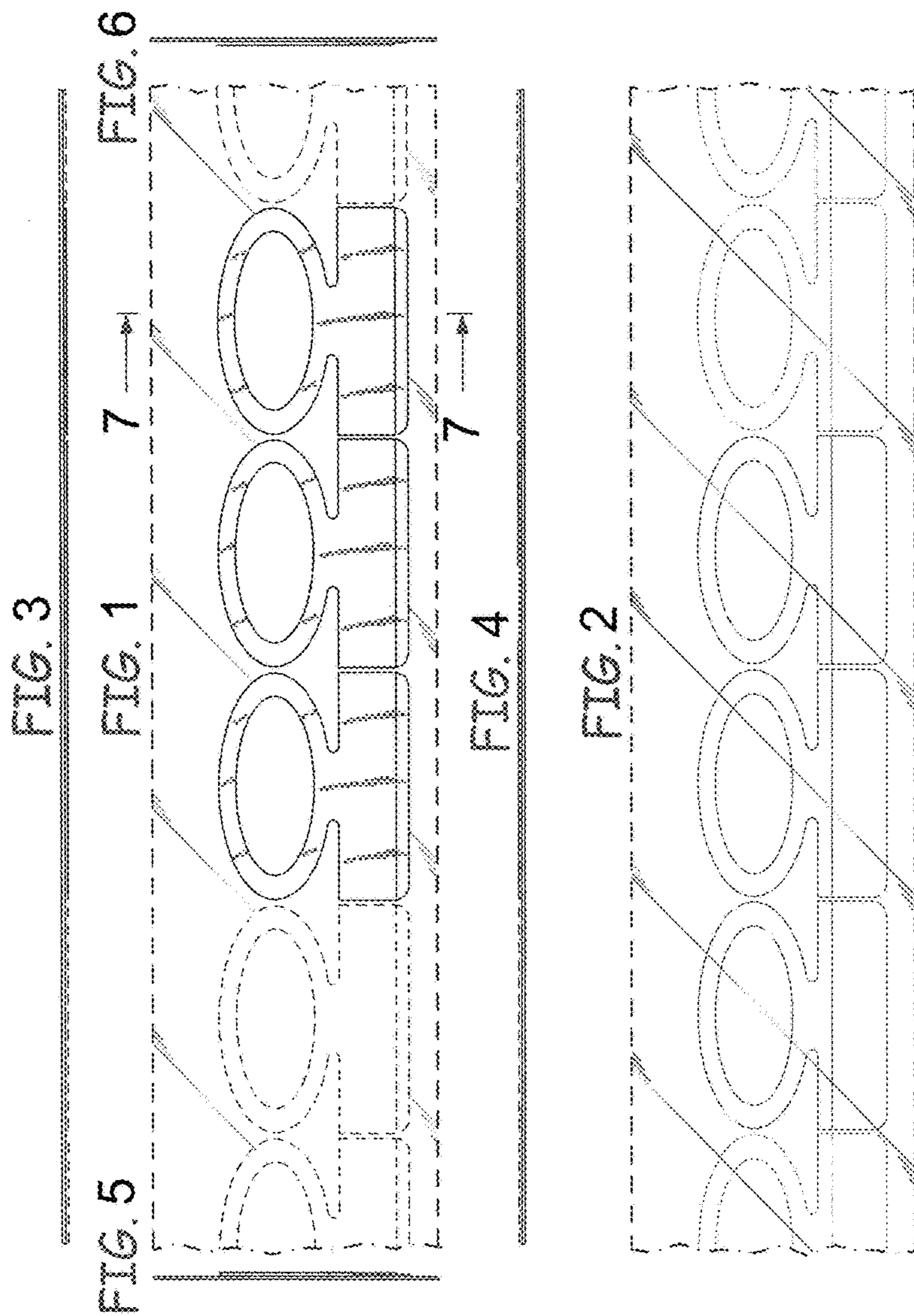




FIG. 7