

US00D816340S

(12) **United States Design Patent** (10) **Patent No.:** **US D816,340 S**
Rosella (45) **Date of Patent:** **** *May 1, 2018**

(54) **HANDBAG PANEL**

D781,052 S * 3/2017 Blahnik D3/232
D785,929 S * 5/2017 Louboutin D3/232

(71) Applicant: **Francesca Rosella**, Rome (IT)

* cited by examiner

(72) Inventor: **Francesca Rosella**, Rome (IT)

Primary Examiner — Holly H Baynham

(*) Notice: This patent is subject to a terminal disclaimer.

(74) *Attorney, Agent, or Firm* — Ladas & Parry LLP

(**) Term: **15 Years**

(57) **CLAIM**

The ornamental design for a handbag panel, as shown.

(21) Appl. No.: **29/505,651**

DESCRIPTION

(22) Filed: **Dec. 23, 2015**

FIG. 1 is a front left perspective view of a handbag panel showing my new design;

(51) **LOC (11) Cl.** **03-01**

FIG. 2 is a front view thereof;

(52) **U.S. Cl.**
USPC **D3/318**

FIG. 3 is a right side view thereof;

(58) **Field of Classification Search**
USPC D3/232–233, 240–243, 245–246, 318
CPC A45C 1/024; A45C 3/06
See application file for complete search history.

FIG. 4 a top view thereof;

FIG. 5 is a rear view thereof;

FIG. 6 is a left side view thereof;

FIG. 7 is a bottom view thereof;

FIG. 8 is a front right perspective view thereof; and,

FIG. 9 is an enlarged front view thereof.

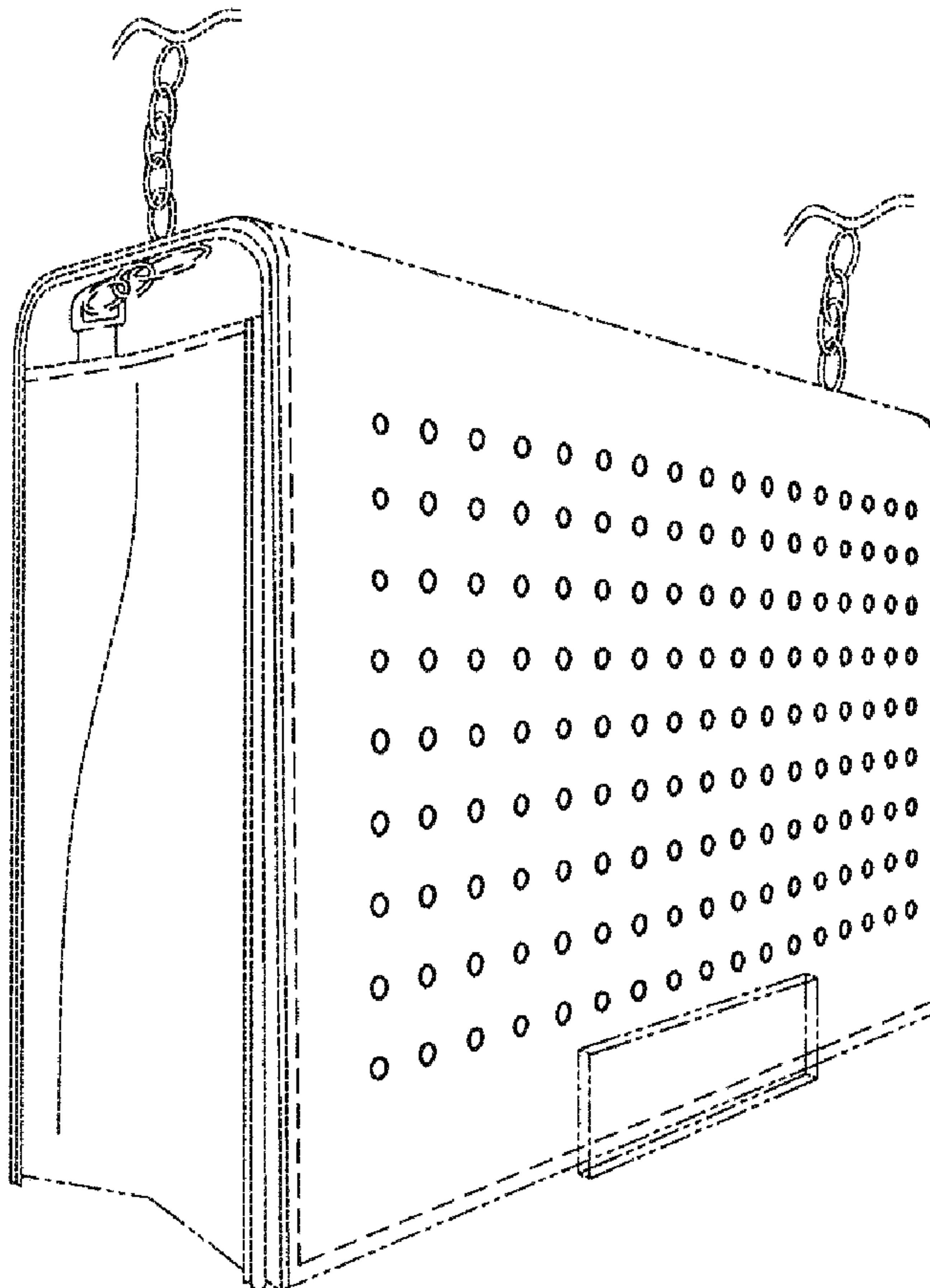
The broken lines showing portions of the handbag are for the purposes of illustrating environment or forms no part of the claimed design.

(56) **References Cited**

U.S. PATENT DOCUMENTS

D597,303 S * 8/2009 Billauer D3/232
D633,713 S * 3/2011 Bode D3/232

1 Claim, 5 Drawing Sheets



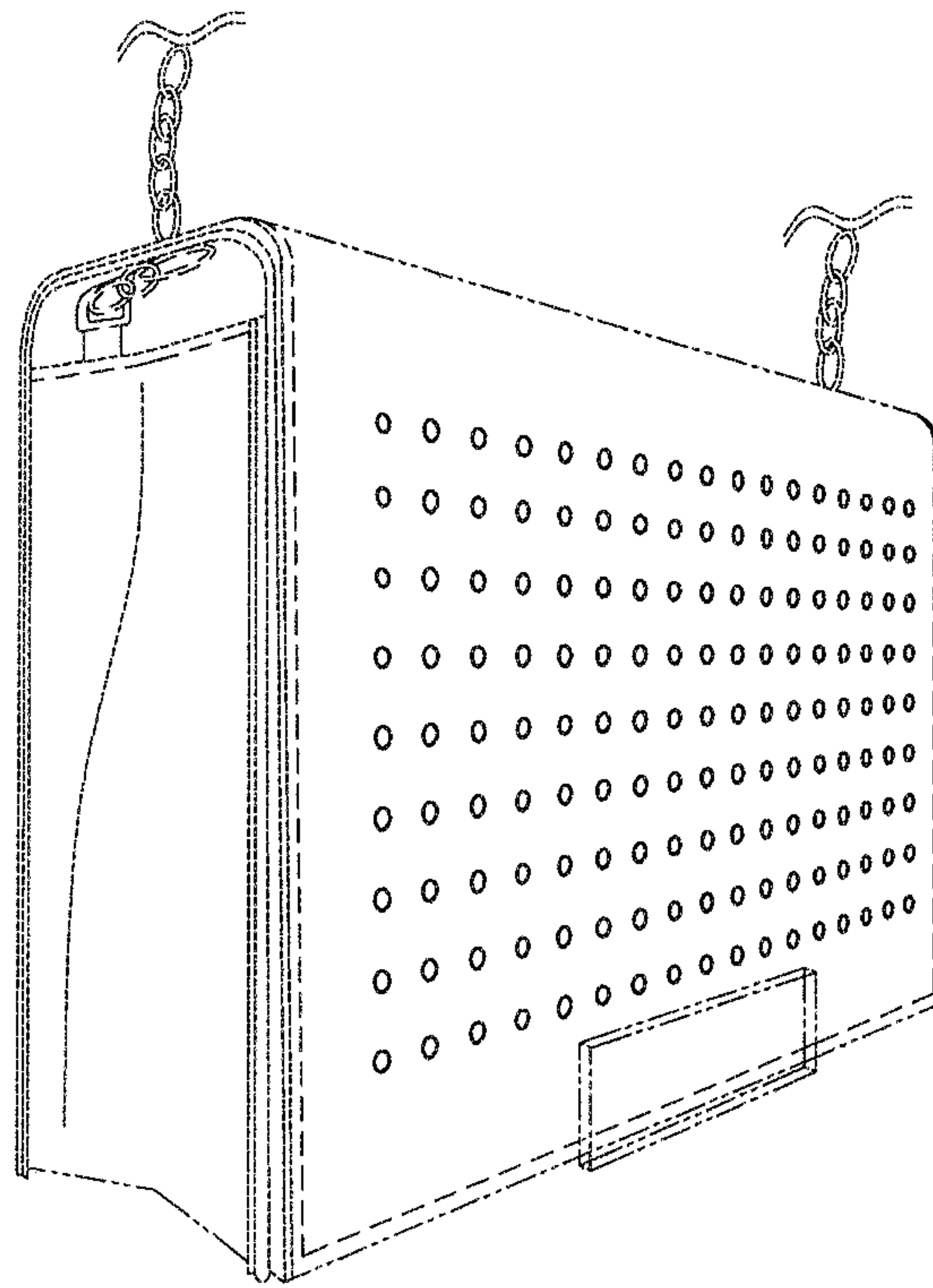


FIG. 1

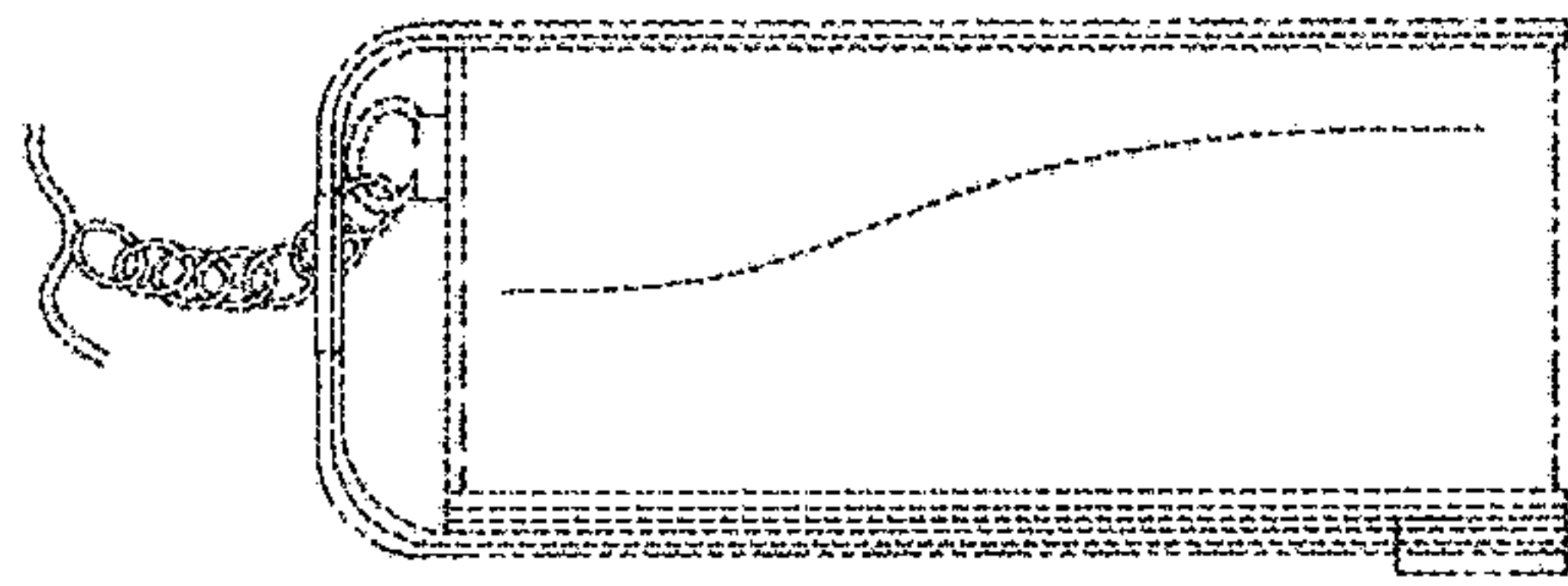


FIG. 3

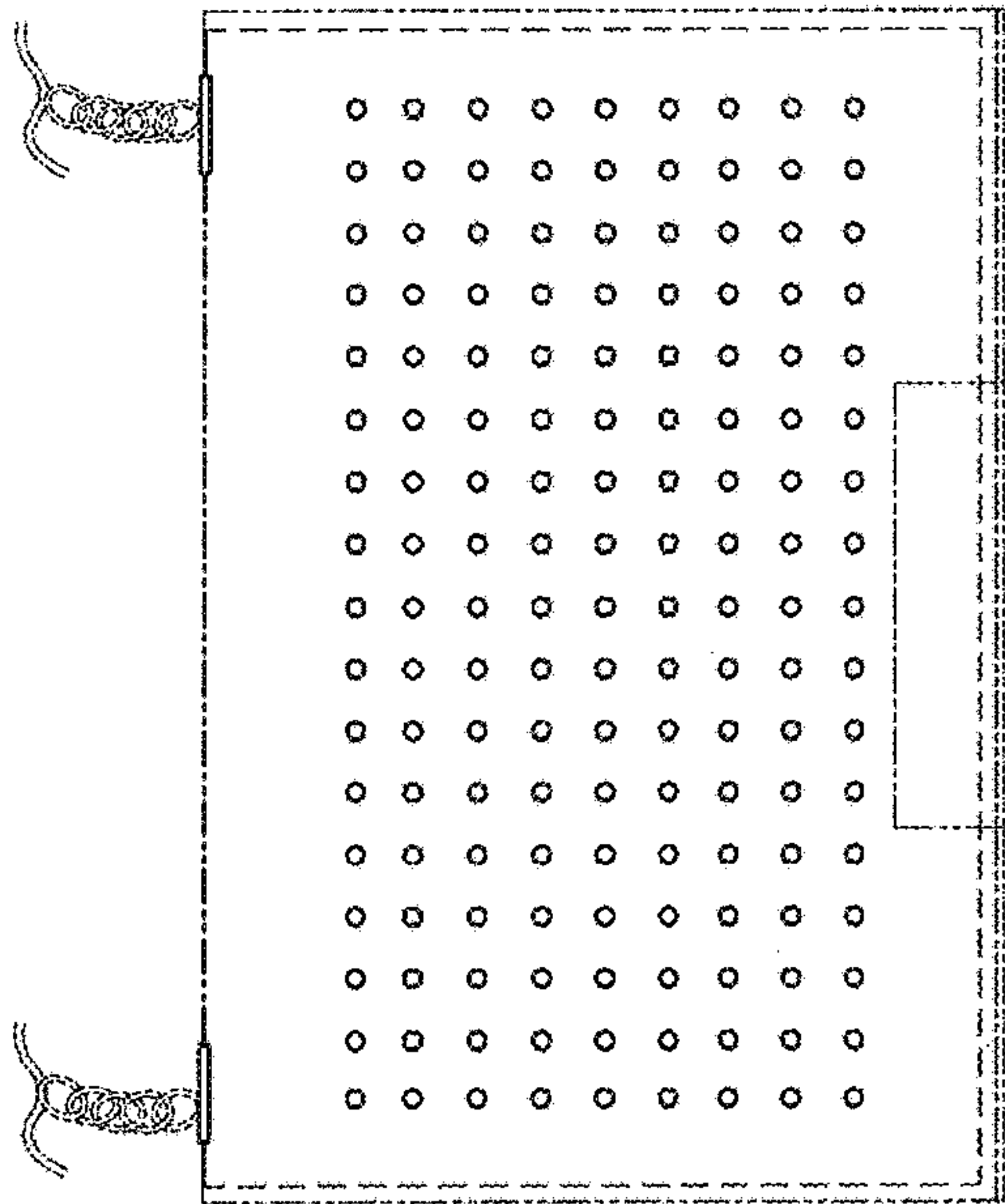


FIG. 2

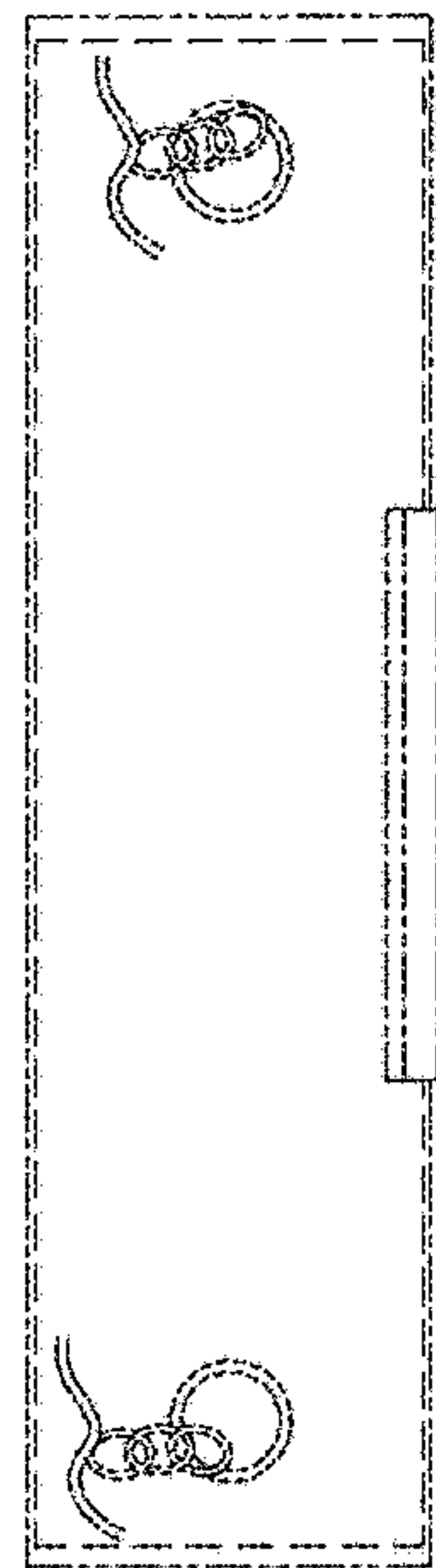


FIG. 4

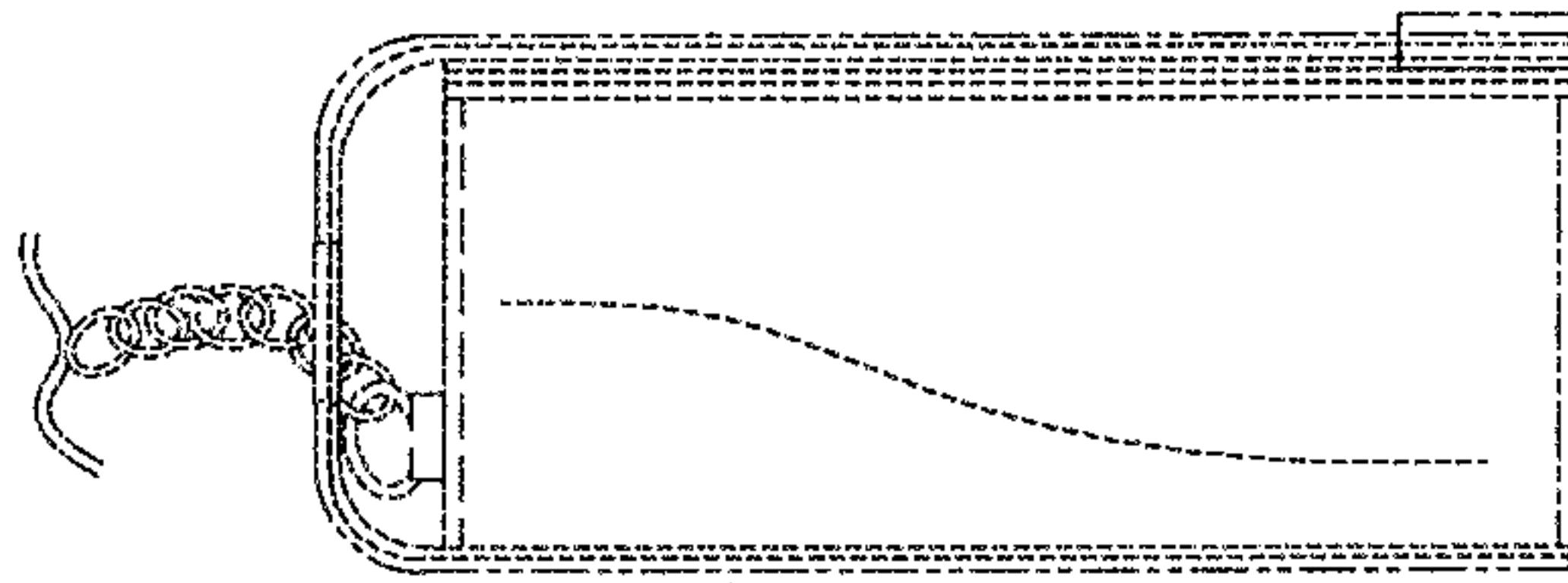


FIG. 6

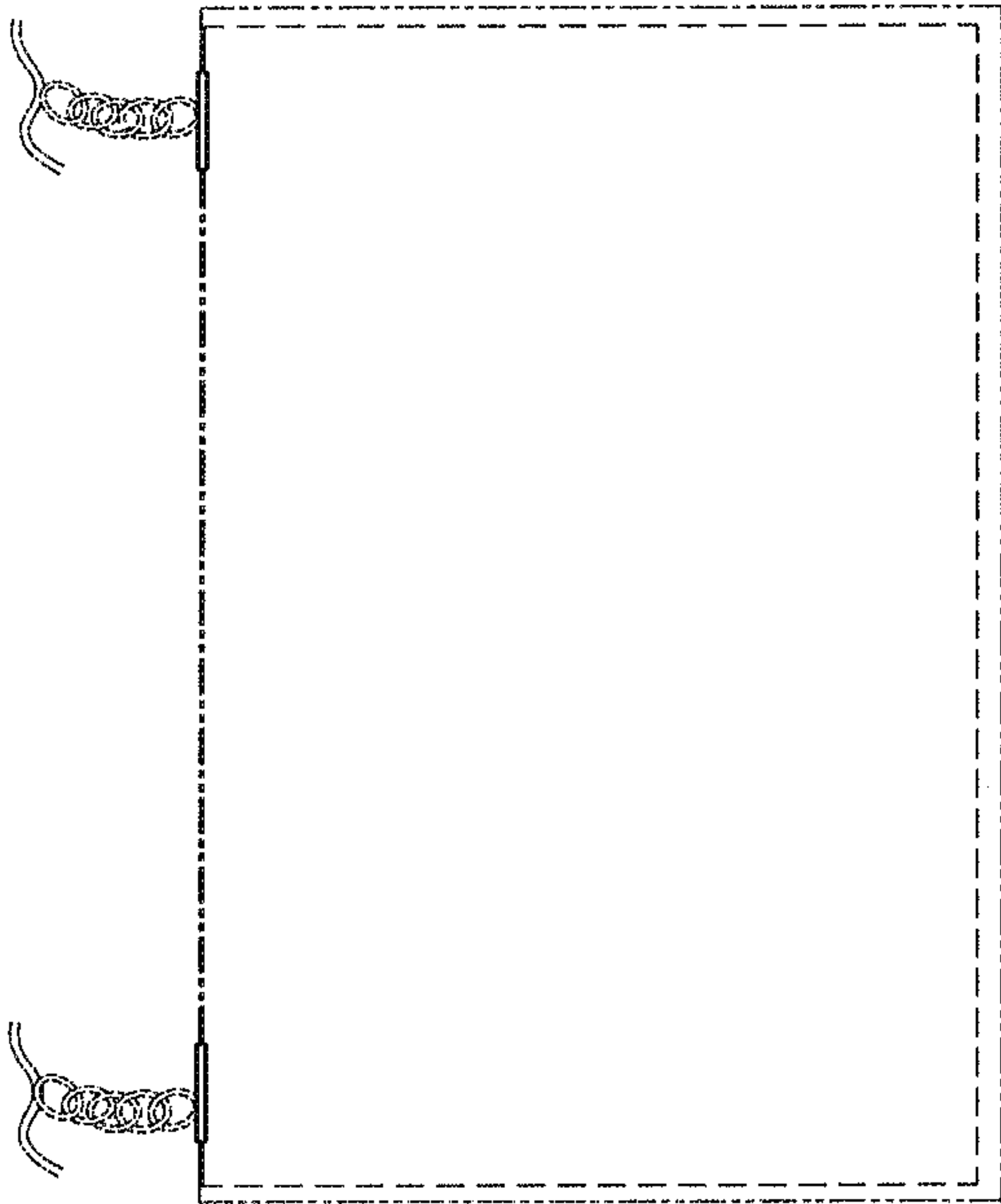


FIG. 5

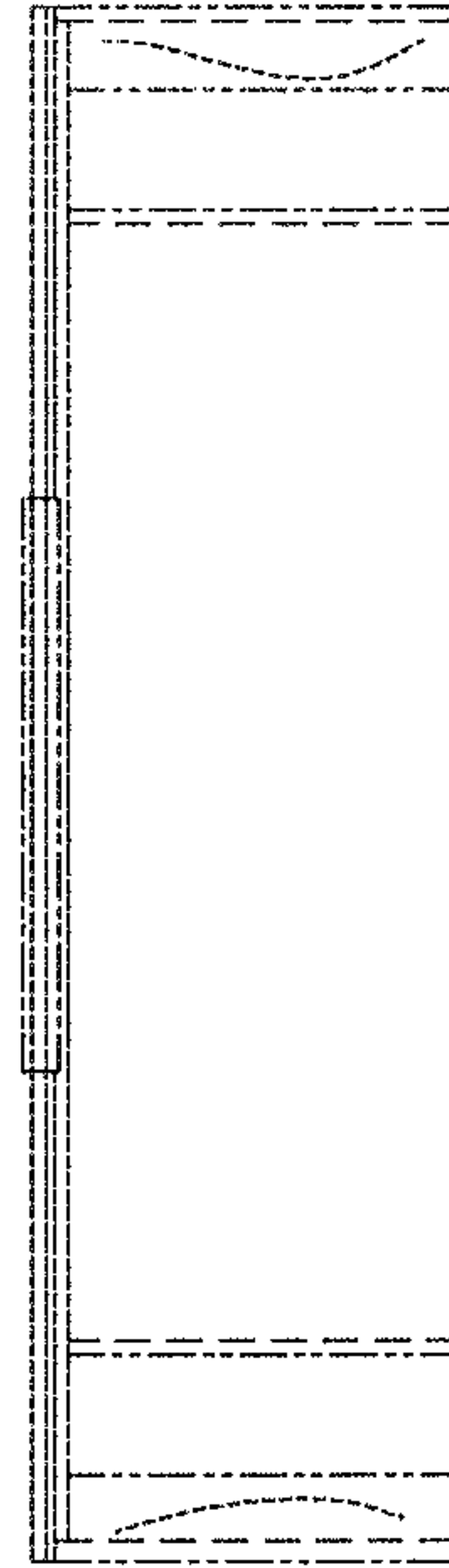


FIG. 7

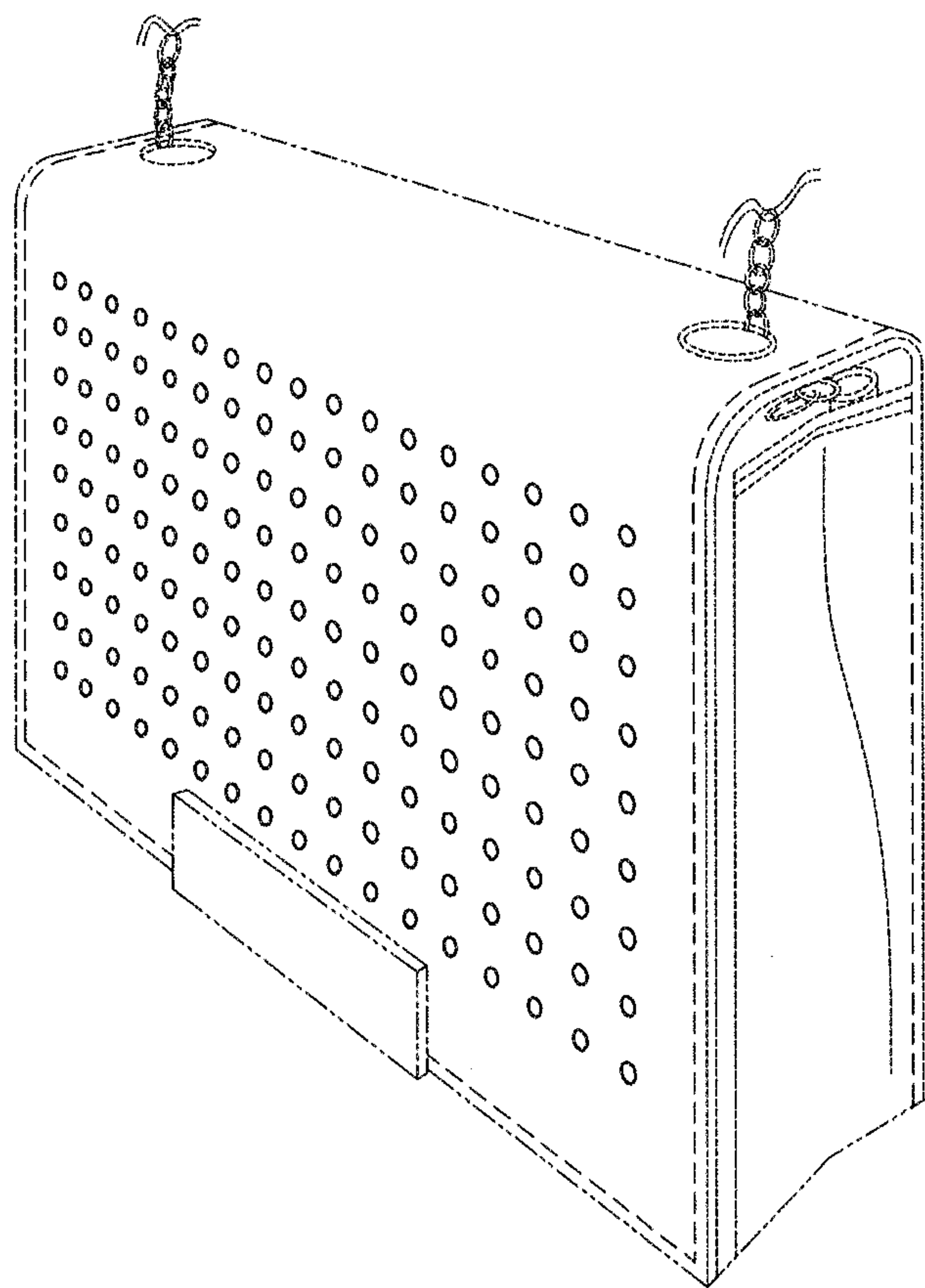


FIG. 8

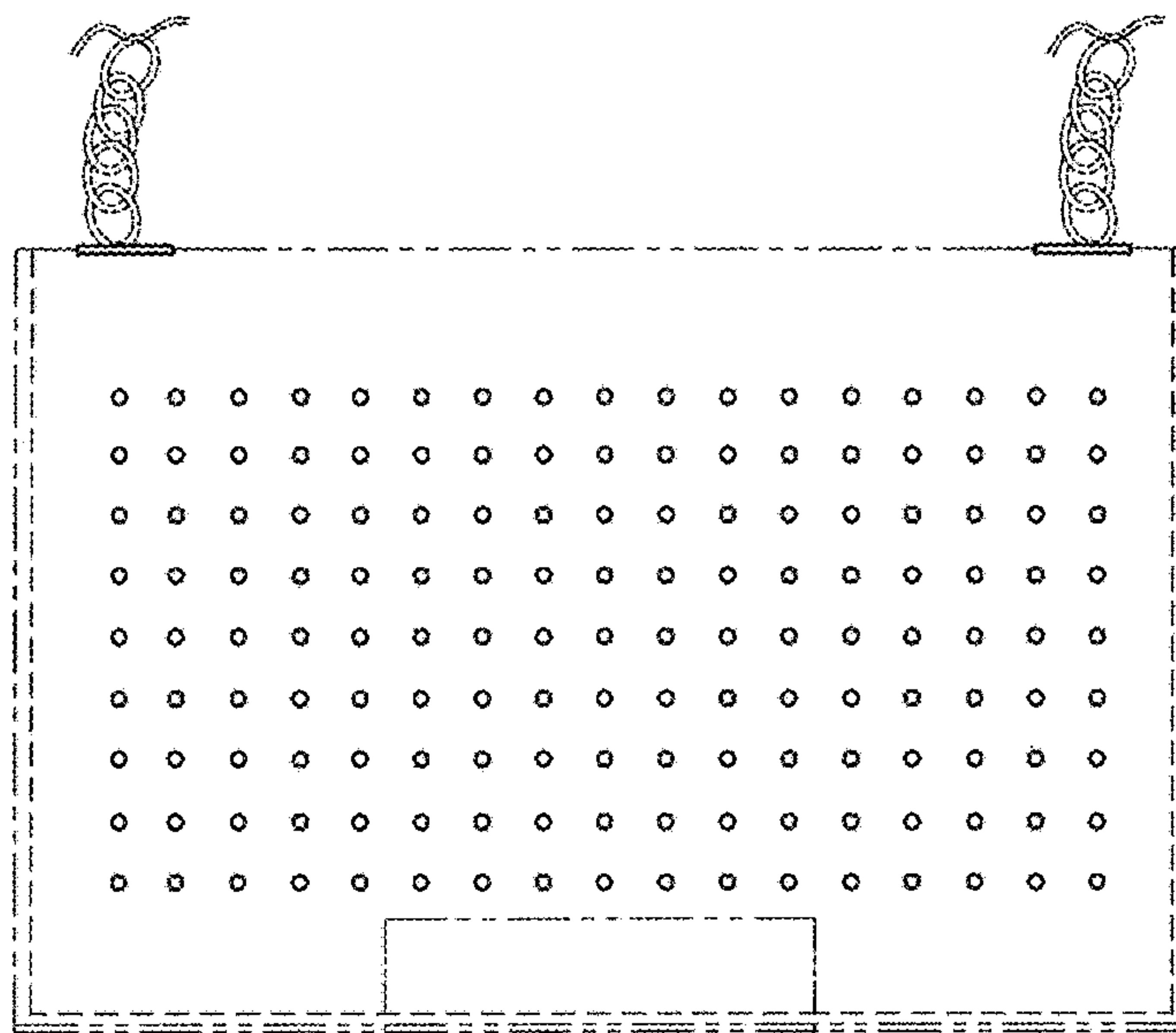


FIG. 9