



US00D816338S

(12) **United States Design Patent** (10) **Patent No.:** **US D816,338 S**  
**Stowe et al.** (45) **Date of Patent:** **\*\* May 1, 2018**

(54) **PLANTER BAG**

D746,619 S \* 1/2016 Aller ..... A01G 9/022  
D6/677  
D765,977 S \* 9/2016 Adkinson ..... D3/307  
2017/0210552 A1\* 7/2017 O'Brien ..... B65D 85/8043

(71) Applicant: **WHS Trading Australia Pty Ltd.,**  
Wembley, WA (AU)

\* cited by examiner

(72) Inventors: **Robert Geoffrey Stowe,** Wembley  
(AU); **Steve Turner,** Wembley (AU)

*Primary Examiner* — Kelley Donnelly  
(74) *Attorney, Agent, or Firm* — Merchant & Gould P.C.

(73) Assignee: **WHS Trading Australia Pty Ltd.,**  
Wembley, WA (AU)

(57) **CLAIM**

(\*\*) Term: **15 Years**

The ornamental design for a planter bag, substantially as shown and described.

(21) Appl. No.: **29/566,453**

**DESCRIPTION**

(22) Filed: **May 31, 2016**

(51) **LOC (11) Cl.** ..... **03-01**

(52) **U.S. Cl.**

USPC ..... **D3/307**

(58) **Field of Classification Search**

USPC ..... D32/35-37; D3/304-305, 307, 315;  
D9/702-703

CPC ..... B65D 37/00; B65D 67/00; B65D 85/50;  
B65D 85/505; B65D 85/52

See application file for complete search history.

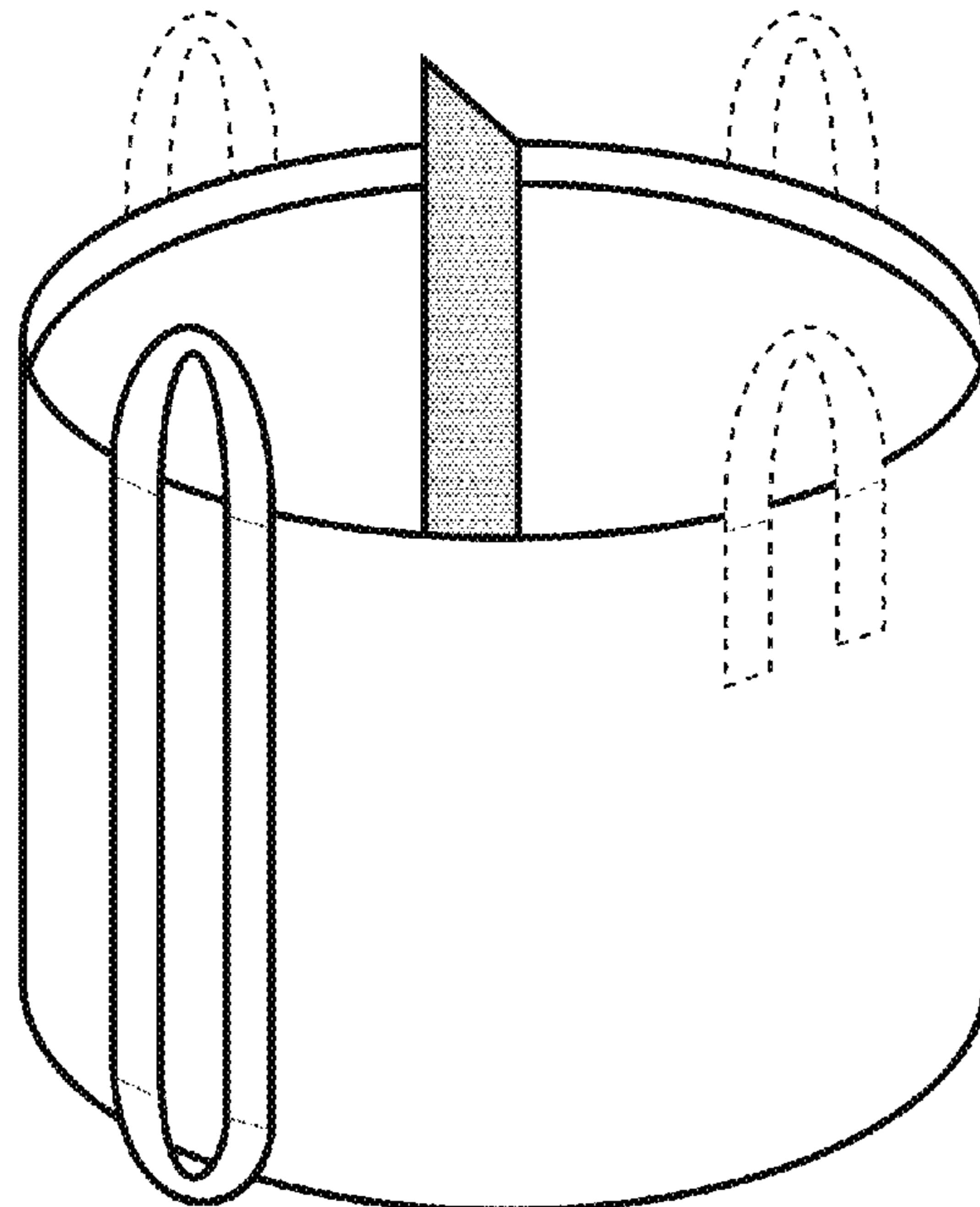
(56) **References Cited**

**U.S. PATENT DOCUMENTS**

- D470,910 S \* 2/2003 Abel ..... D22/199
- 6,616,004 B1 \* 9/2003 Erickson ..... B65F 1/02  
220/666
- 6,830,170 B2 \* 12/2004 Abel ..... A01M 31/006  
190/107
- D577,851 S \* 9/2008 Yurich ..... D26/119
- D644,025 S \* 8/2011 Finch ..... D3/310
- D702,041 S \* 4/2014 Wu ..... D3/216

FIG. 1 is a top perspective view of a planter bag in accordance with the present invention;  
 FIG. 2 is a bottom perspective view thereof;  
 FIG. 3 is a top plan view thereof;  
 FIG. 4 is a bottom plan view thereof;  
 FIG. 5 is a side view thereof;  
 FIG. 6 is an opposite side view thereof;  
 FIG. 7 is a side view rotated 90 degrees thereof;  
 FIG. 8 is a side view rotated 90 degrees thereof;  
 FIG. 9 is a top perspective view of another embodiment of a planter bag in accordance with the present invention;  
 FIG. 10 is a bottom perspective view thereof;  
 FIG. 11 is a top plan view thereof;  
 FIG. 12 is a bottom plan view thereof;  
 FIG. 13 is a side view thereof;  
 FIG. 14 is an opposite side view thereof;  
 FIG. 15 is a side view rotated 90 degrees thereof; and,  
 FIG. 16 is a side view rotated 90 degrees thereof.  
 The broken lines showing the remainder of the horticultural bag are directed to environment. None of the broken lines form part of the claimed design.

**1 Claim, 8 Drawing Sheets**



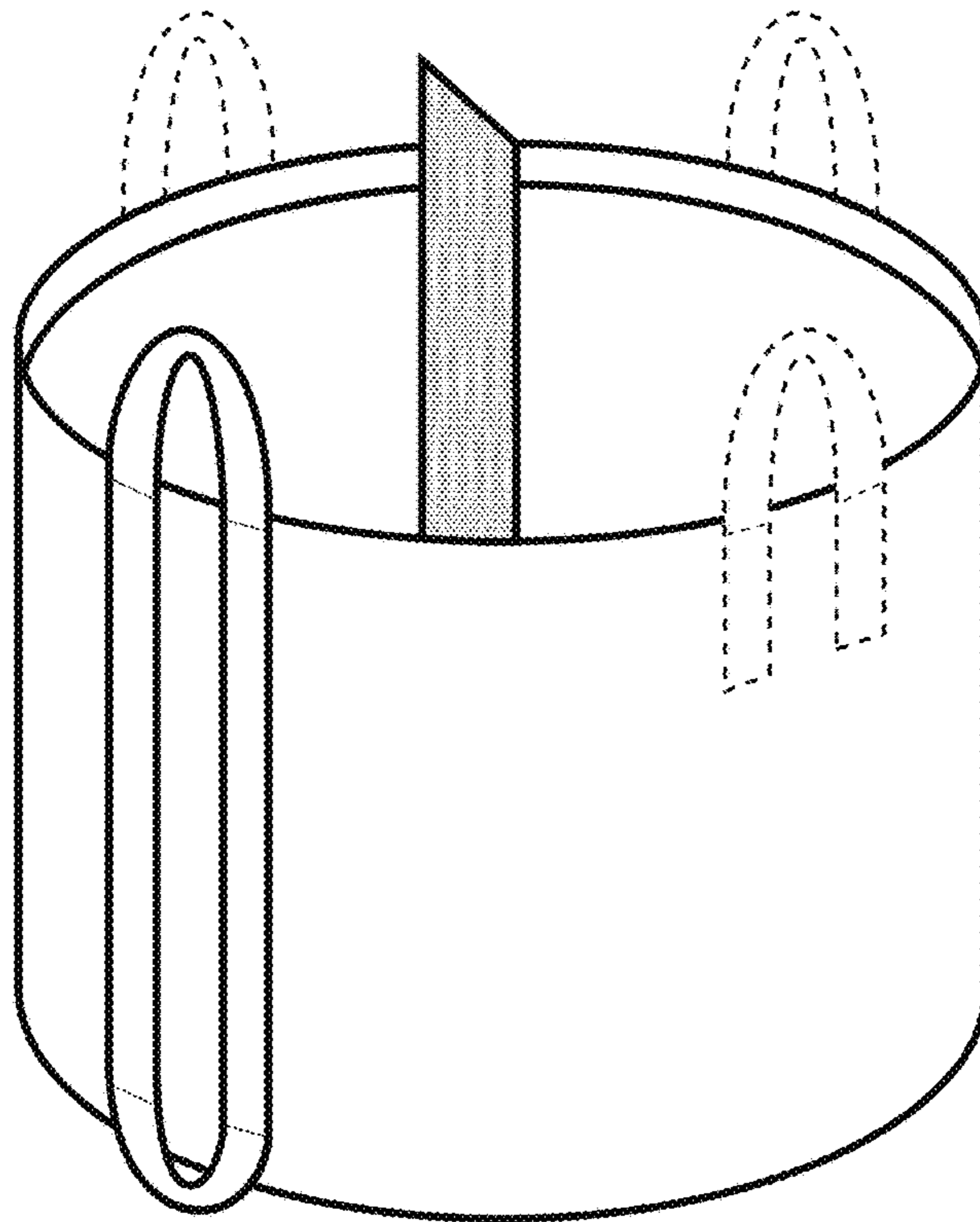


FIG. 1

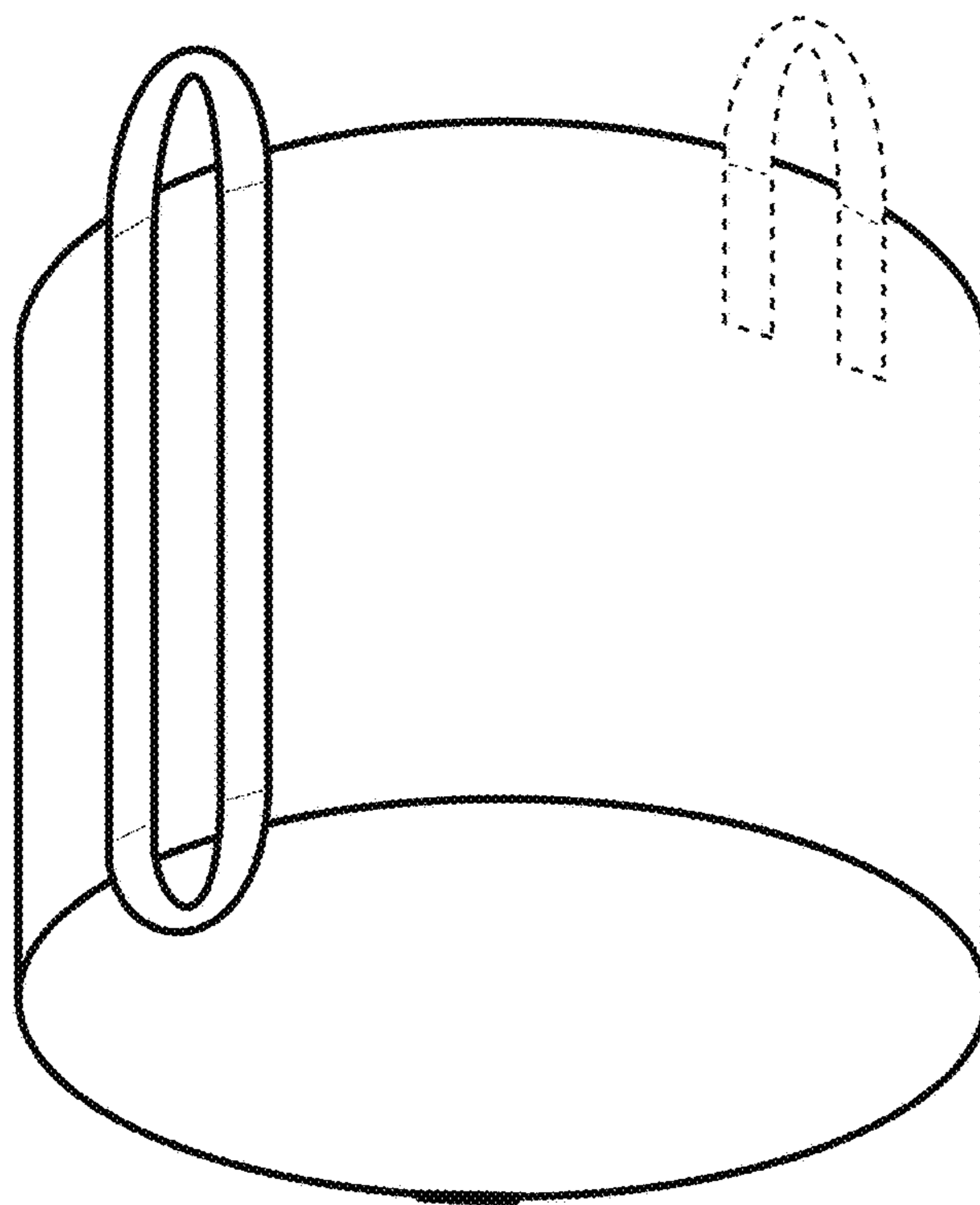


FIG. 2

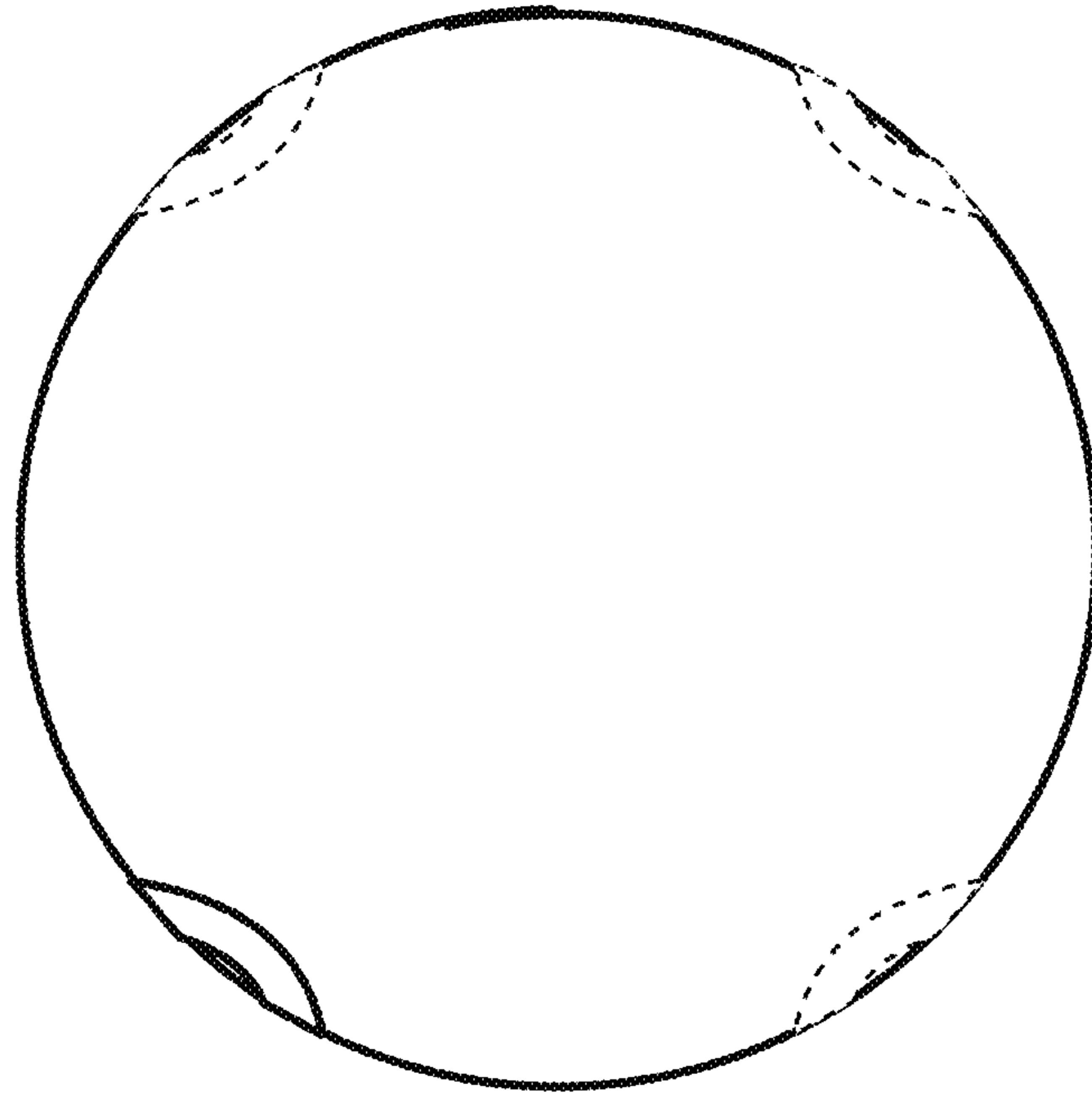


FIG. 3

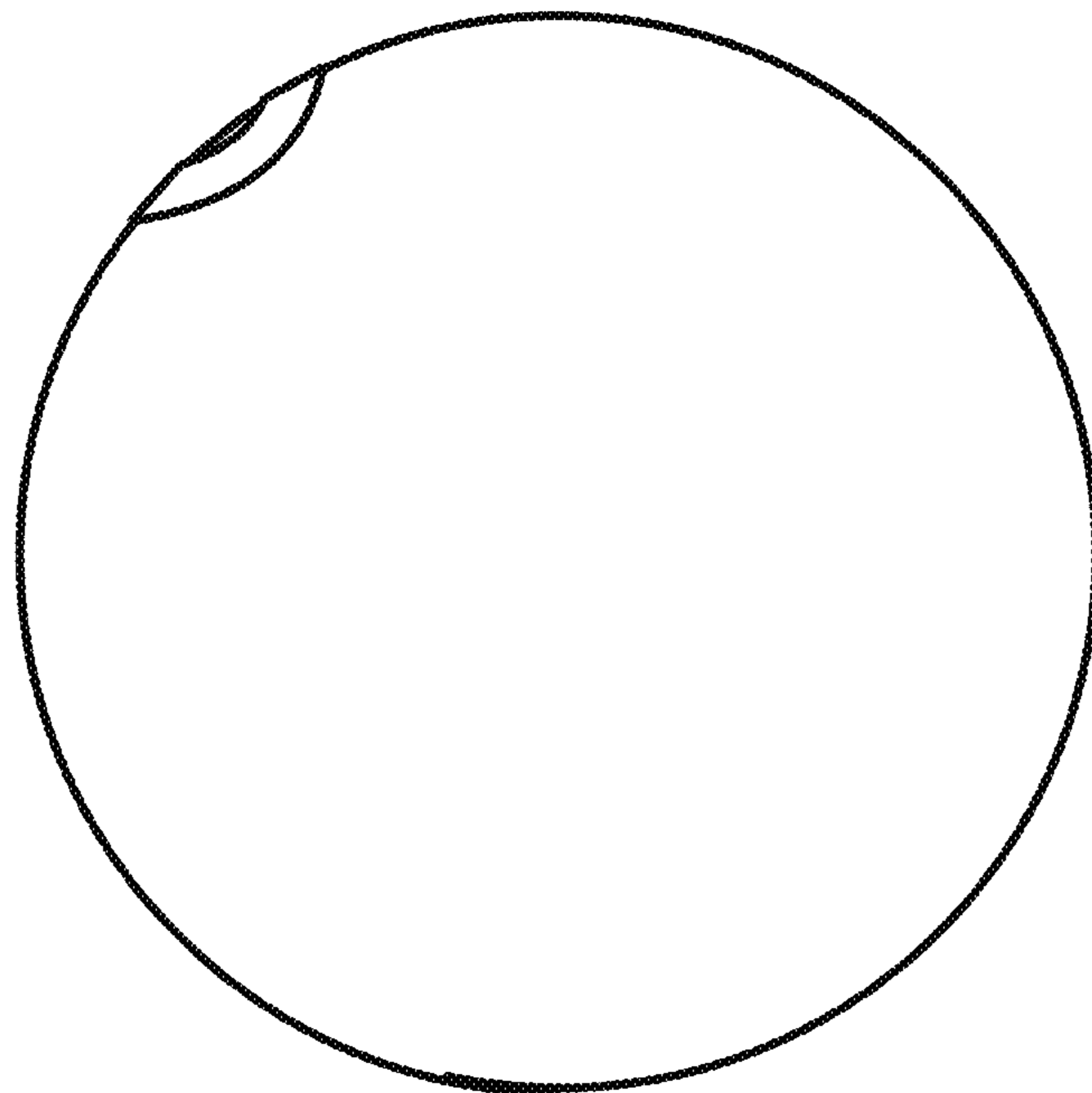


FIG. 4

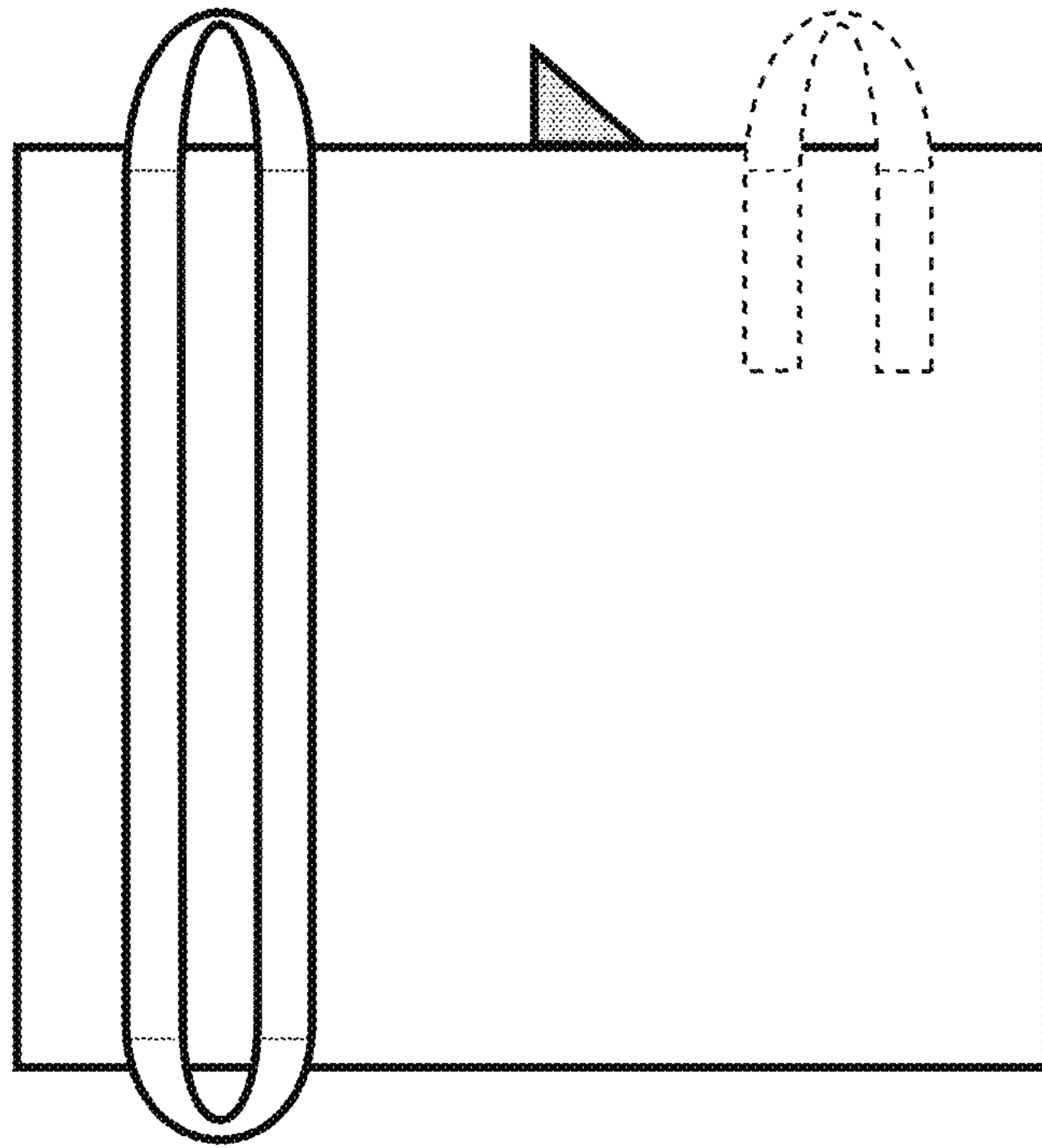


FIG. 5

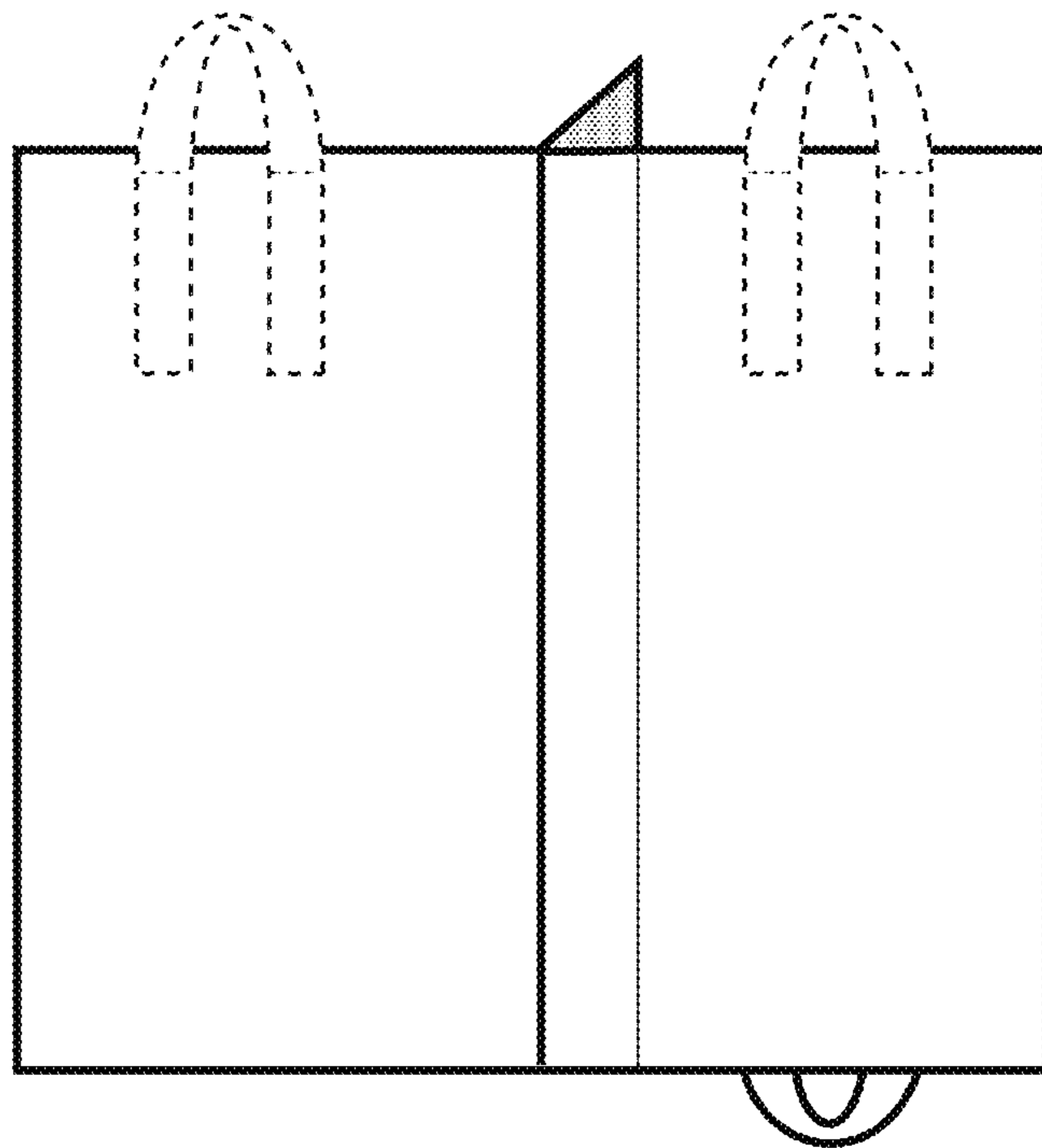


FIG. 6

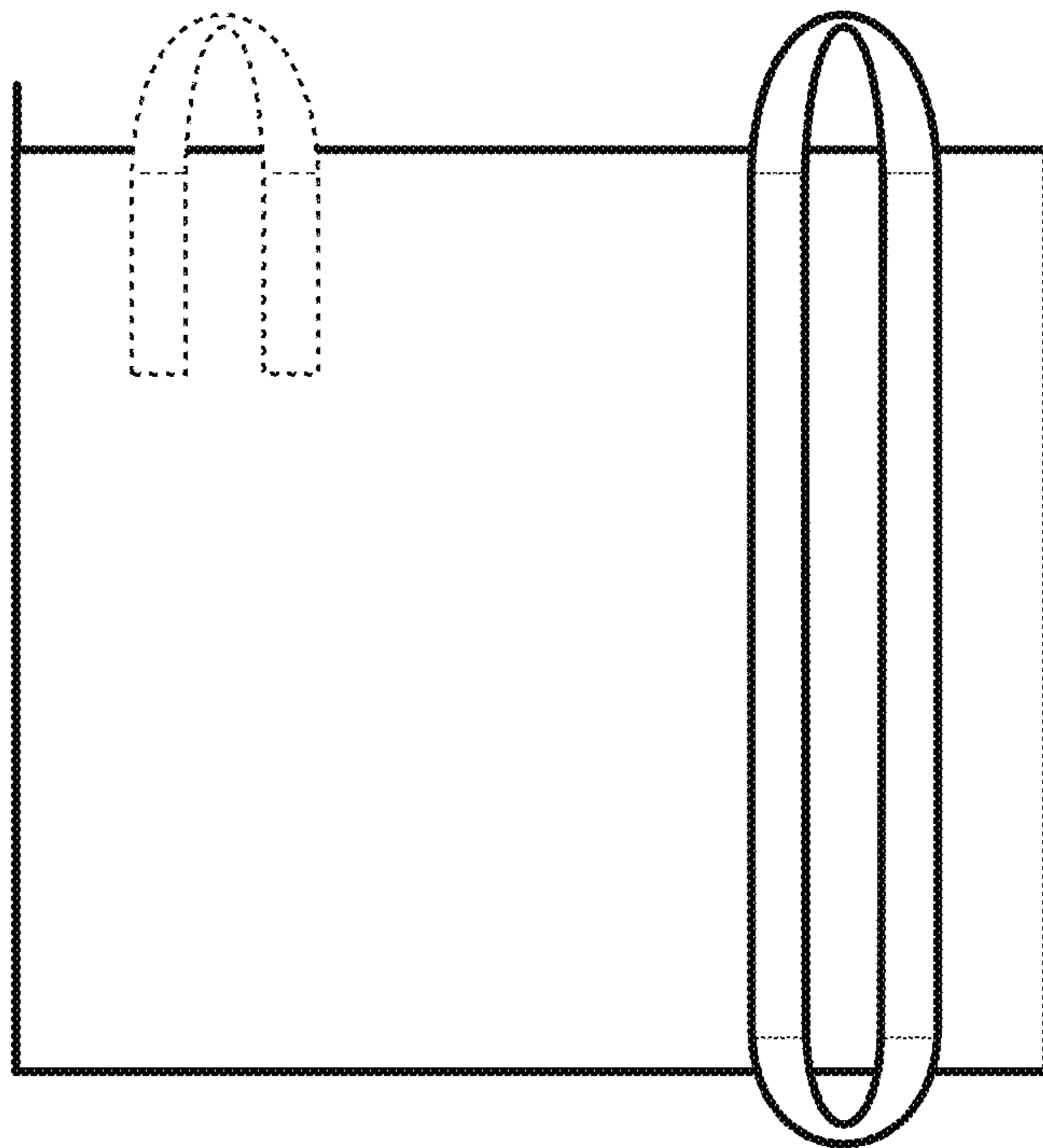


FIG. 7

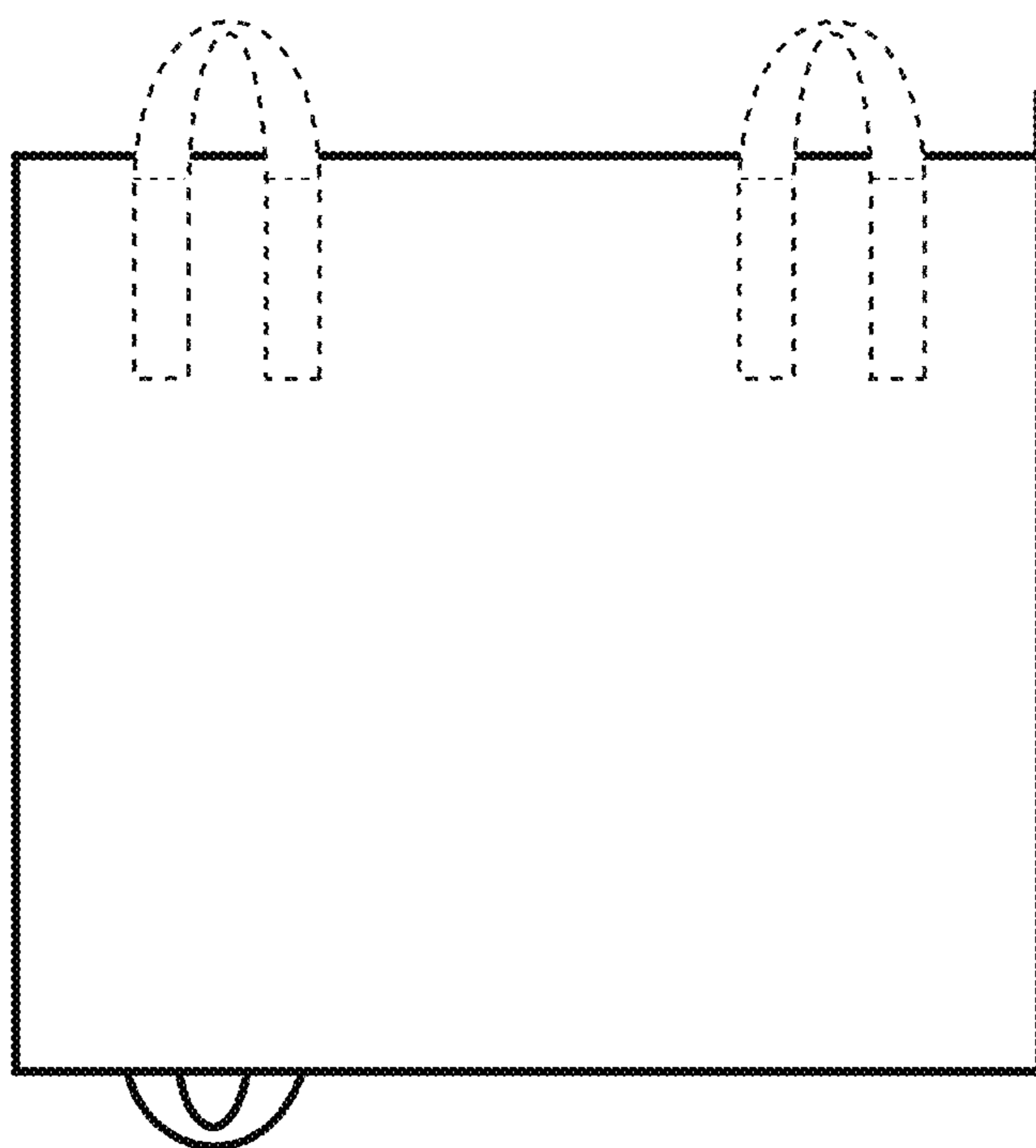


FIG. 8

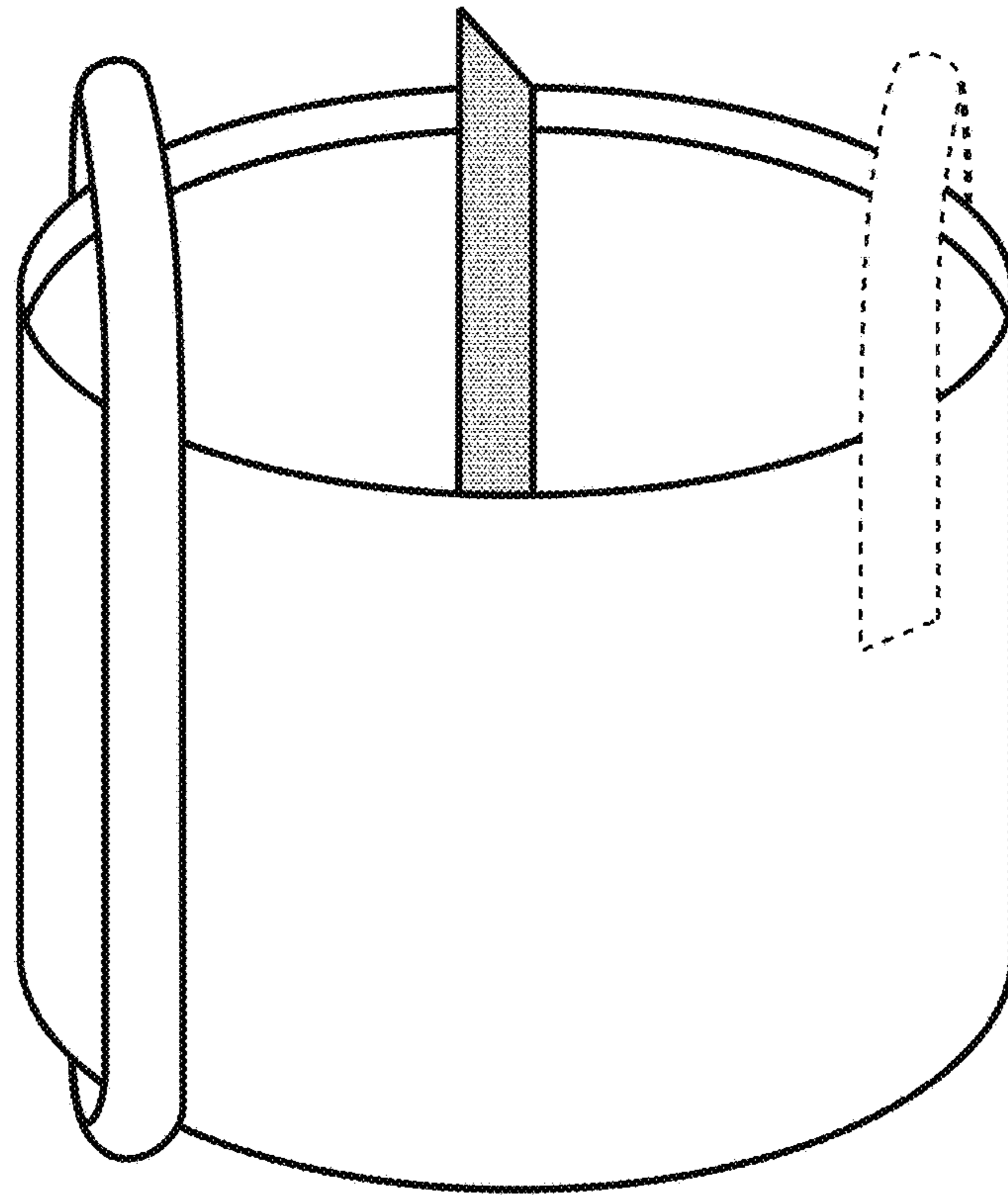


FIG. 9

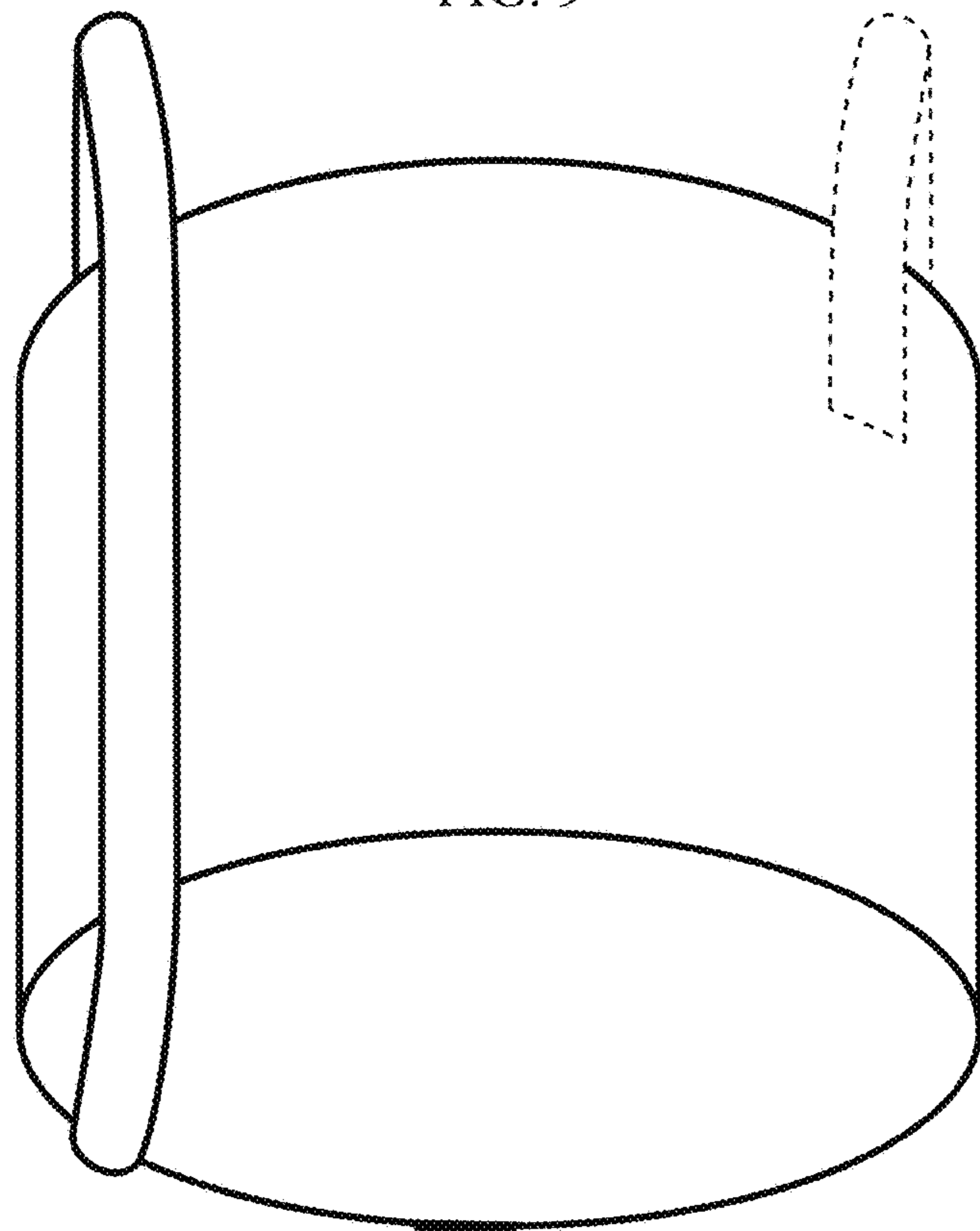


FIG. 10

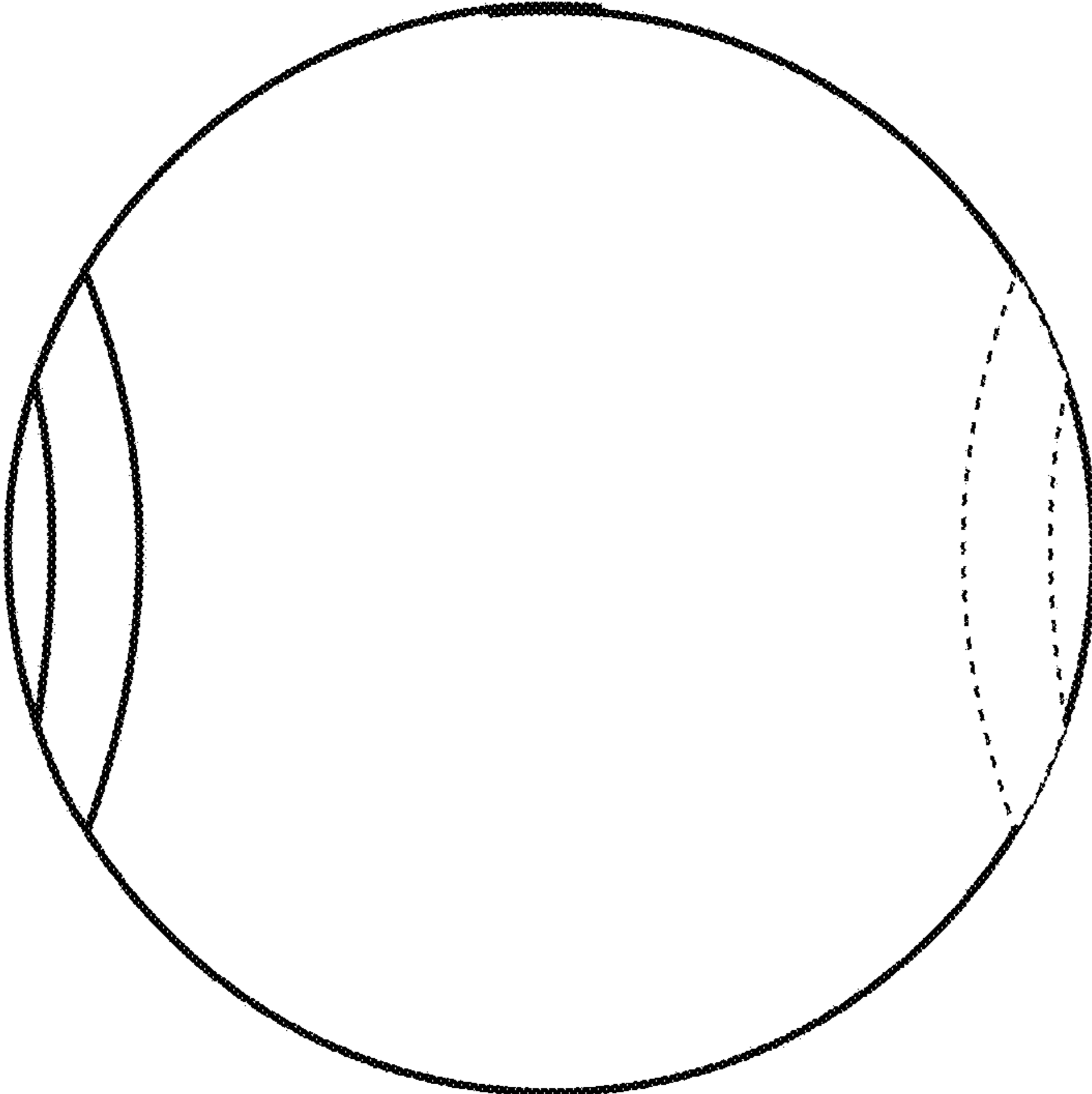


FIG. 11

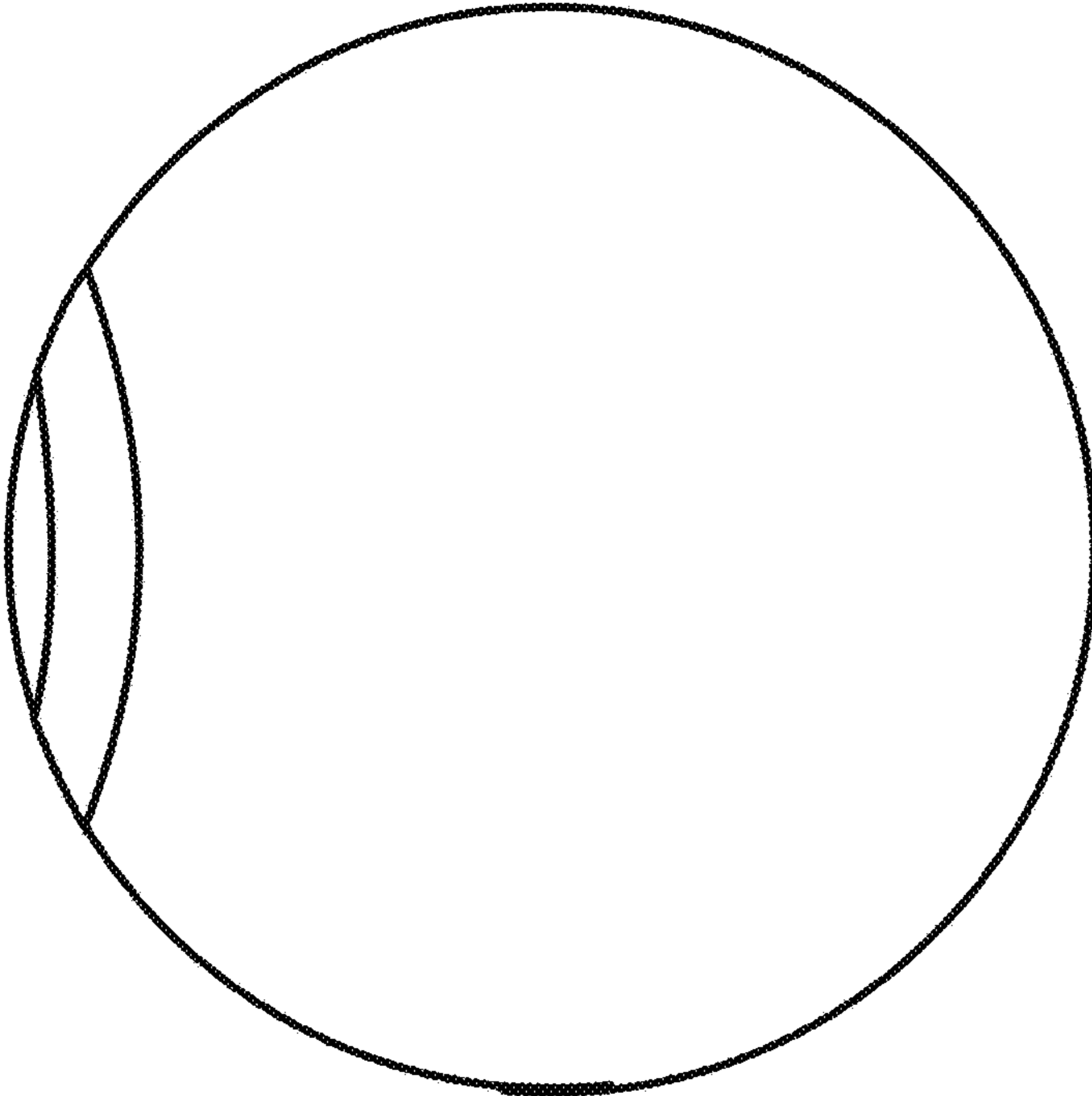


FIG. 12

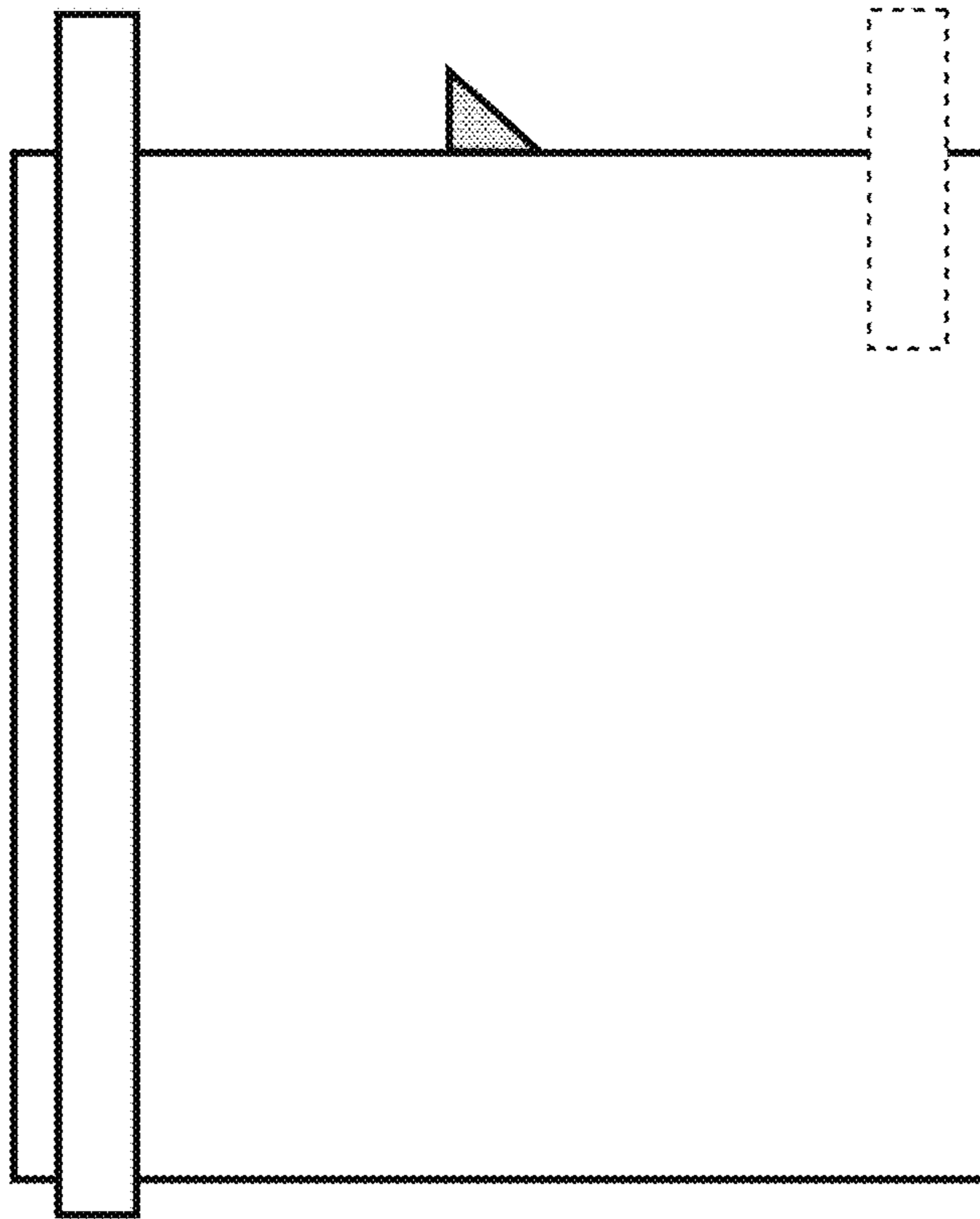


FIG. 13

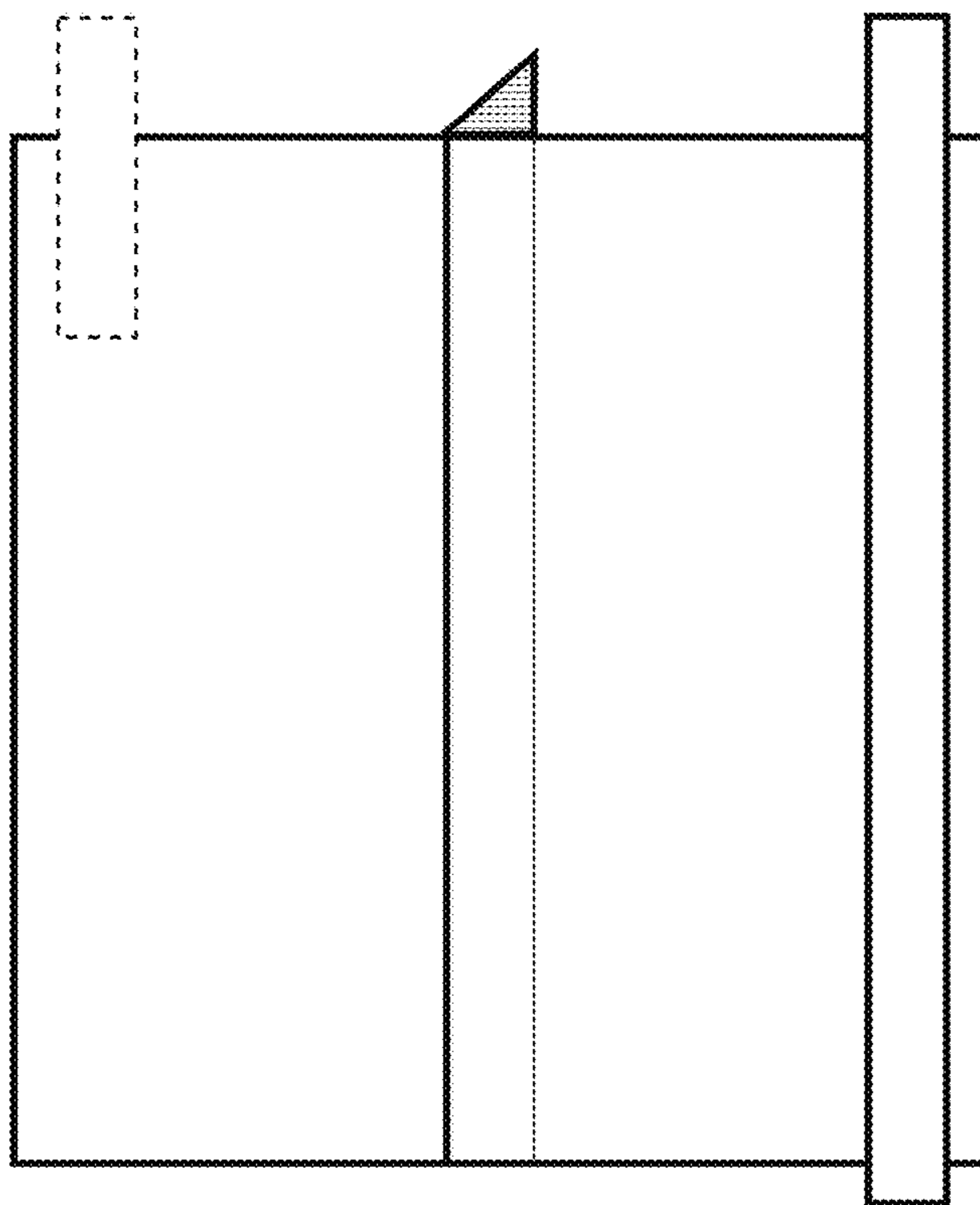


FIG. 14



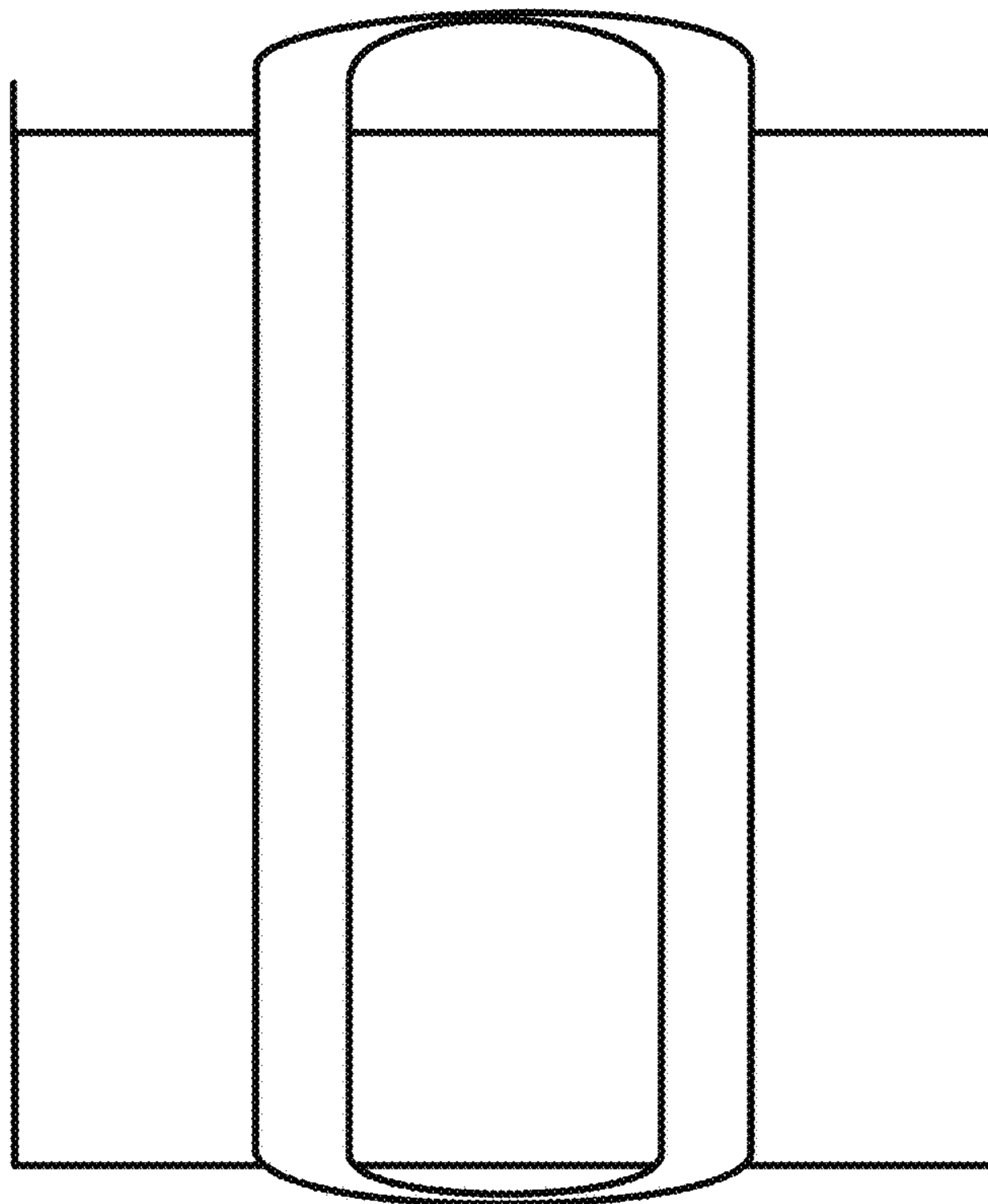


FIG. 15

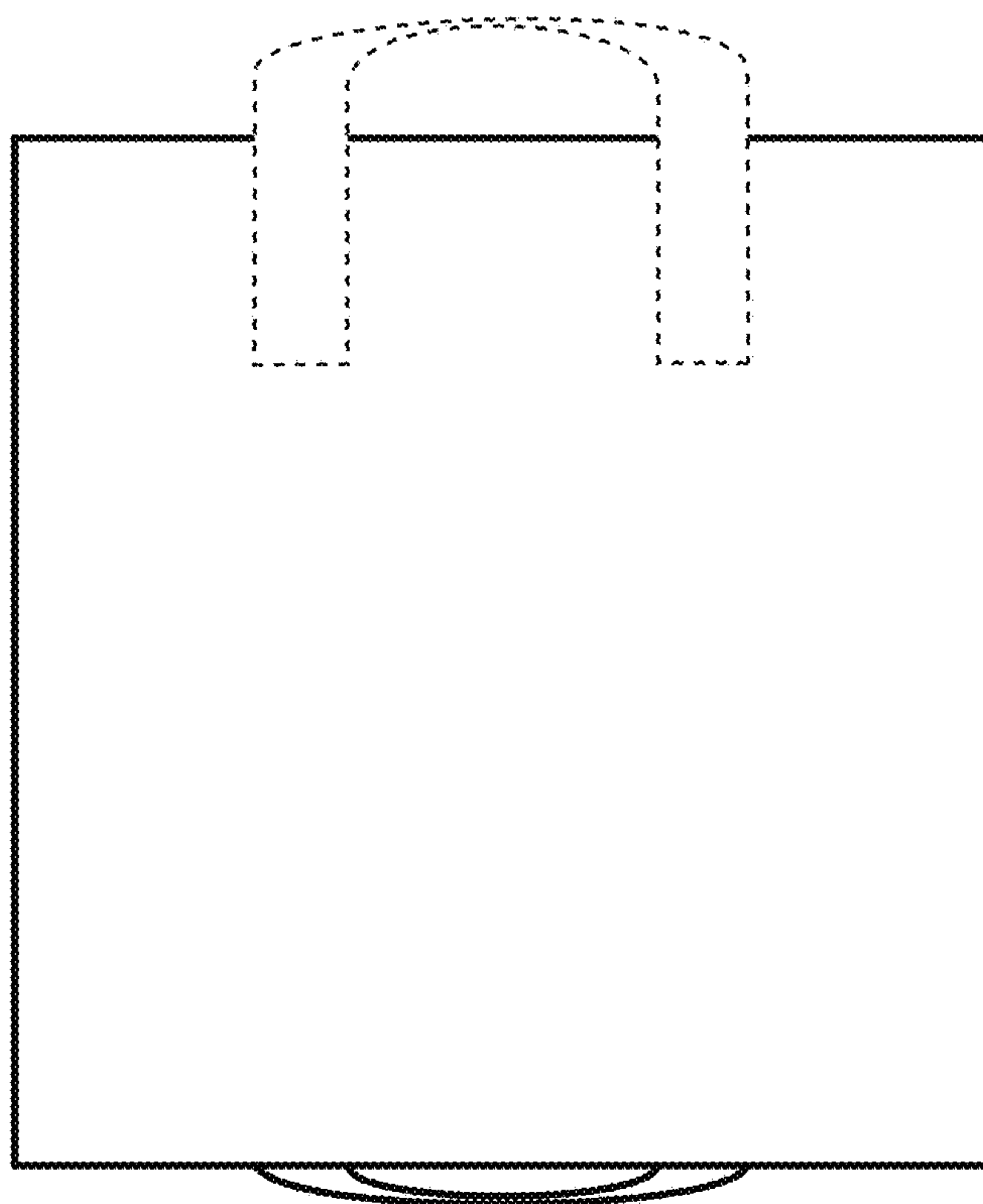


FIG. 16