



US00D816337S

(12) **United States Design Patent** (10) **Patent No.:** **US D816,337 S**
Cheng (45) **Date of Patent:** **** May 1, 2018**

(54) **GPS STORAGE BOX**
(71) Applicant: **Ningbo Newland Magnet Industry Corporation Limited, Zhejiang (CN)**
(72) Inventor: **Tinghai Cheng, Zhejiang (CN)**
(**) Term: **15 Years**
(21) Appl. No.: **29/594,141**

D430,398 S * 9/2000 Kimura D3/273
D454,688 S * 3/2002 Russell D3/276
D467,075 S * 12/2002 Fajers D3/273
D467,076 S * 12/2002 Fajers D3/273
D593,751 S * 6/2009 McDade D3/272
D624,317 S * 9/2010 Wenchel D3/294
D636,598 S * 4/2011 Tseng D3/294
D664,766 S * 8/2012 Prats D3/294
D776,523 S * 1/2017 Sabbag D3/276
D792,708 S * 7/2017 Tazawa D3/276

(Continued)

(22) Filed: **Feb. 15, 2017**
(30) **Foreign Application Priority Data**
Aug. 16, 2016 (CN) 2016 3 0392133
(51) **LOC (11) Cl.** **03-01**
(52) **U.S. Cl.**
USPC **D3/294; D3/905**
(58) **Field of Classification Search**
USPC D3/269, 272, 273, 274, 276, 279, 281,
D3/282, 283, 288, 290, 294, 298, 299,
D3/905, 217; D34/12, 14, 17, 19, 20, 18,
D34/23, 24, 25, 27
CPC B62B 1/00; B62B 3/00; B25H 3/00; B25H
3/003; B25H 3/02; B25H 5/00; A45C
7/00; A45C 5/00; A45C 5/005; A45C
2005/037; A45C 5/04; A45C 5/14; A45C
2007/0004; A45C 7/0018; A45C
2009/002
See application file for complete search history.

OTHER PUBLICATIONS

Amazon, "Spy Tec GL-HM Waterproof Weatherproof Magnetic Case for STI GL300 Real-Time GPS Trackers", First reviewed on Sep. 2, 2014, Accessed Aug. 18, 2017. (<https://www.amazon.com/Spy-Tec-Waterproof-Weatherproof-Real-Time/dp/B00L1G6GCS>).*

(Continued)

Primary Examiner — Jennifer Rivard
Assistant Examiner — April Rivas
(74) *Attorney, Agent, or Firm* — Prakash Nama; Global IP Services, PLLC

(57) **CLAIM**

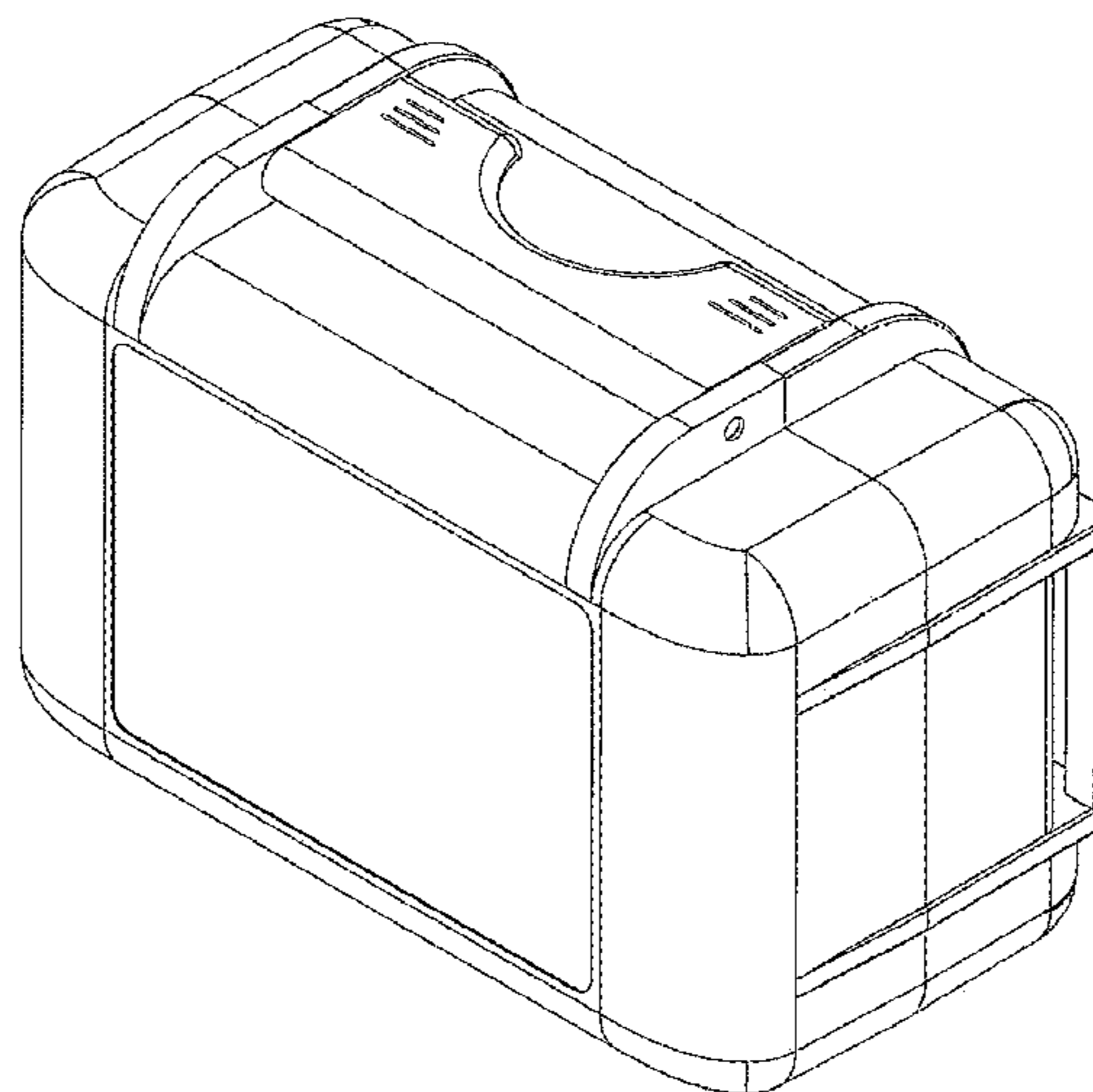
The ornamental design for a GPS storage box, as shown and described.

DESCRIPTION

FIG. 1 is a front elevational view of a GPS storage box showing my new design;
FIG. 2 is a rear elevational view thereof;
FIG. 3 is a left side view thereof;
FIG. 4 is a right side view thereof;
FIG. 5 is a top plan view thereof;
FIG. 6 is a bottom plan view thereof; and,
FIG. 7 is a perspective view thereof.
The broken lines illustrate portions of the GPS storage box and form no part of the claimed design.

1 Claim, 4 Drawing Sheets

(56) **References Cited**
U.S. PATENT DOCUMENTS
D153,660 S * 5/1949 Arbib D3/281
D221,821 S * 9/1971 Genaro et al. D3/282
D333,615 S * 3/1993 Zutler D3/294
D353,265 S * 12/1994 Newby, Sr. D3/269
D356,255 S * 3/1995 Syrek D9/424
D386,306 S * 11/1997 Zimmerman D3/273
D418,678 S * 1/2000 Robson D3/282
D429,975 S * 8/2000 Marshall-Rees D3/282



(56)

References Cited

U.S. PATENT DOCUMENTS

2003/0080124 A1* 5/2003 Parker A45C 13/008
220/4.21

OTHER PUBLICATIONS

Amazon, "Optimus Twin Magnet GPS Tracker Case—Waterproof—Neodymium Magnets", First for sale on amazon Feb. 22, 2016. (<https://www.amazon.com/Optimus-Twin-Magnet-Tracker-Case/dp/B01C34A910/>).*

* cited by examiner

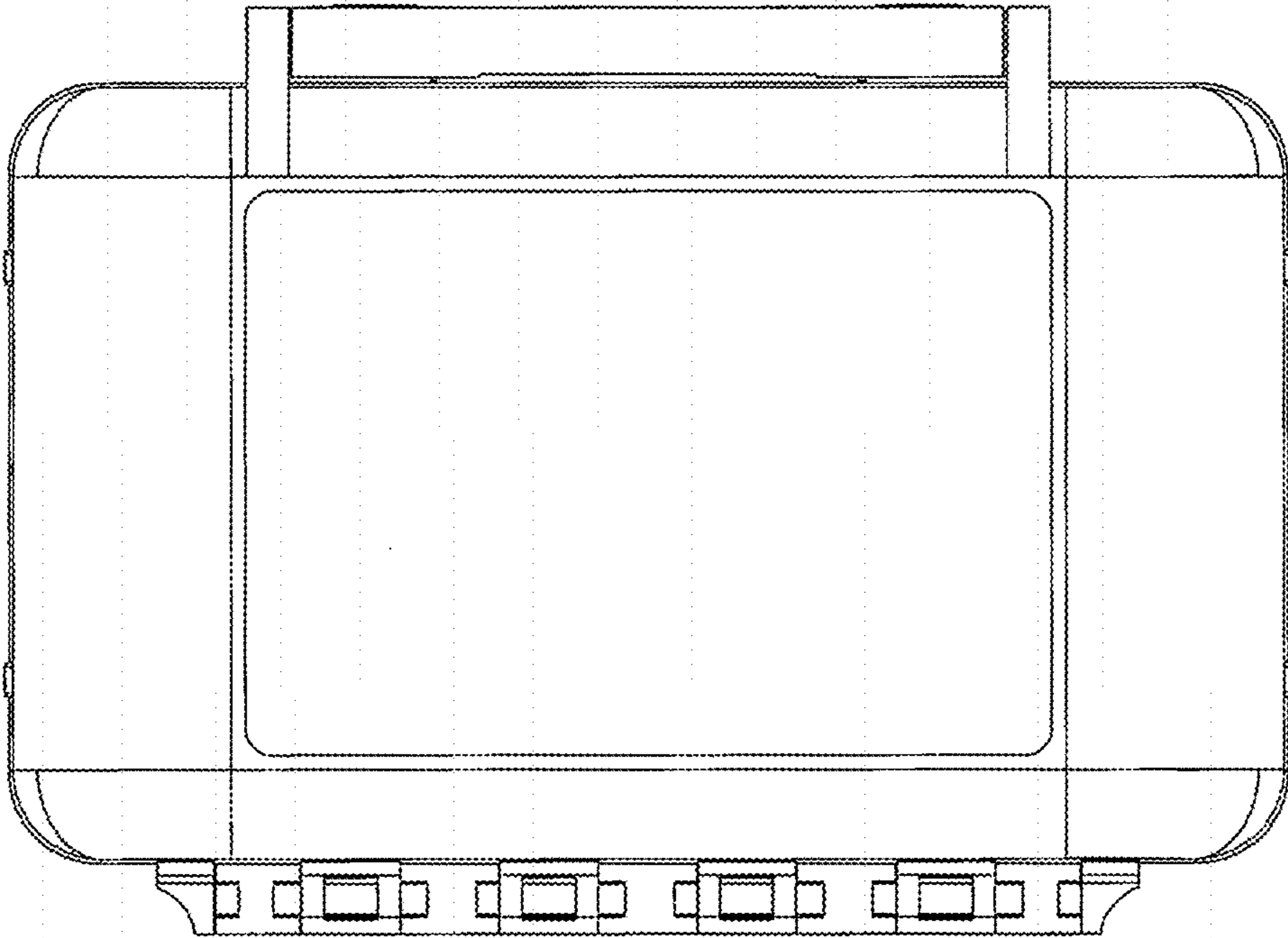


FIG. 1

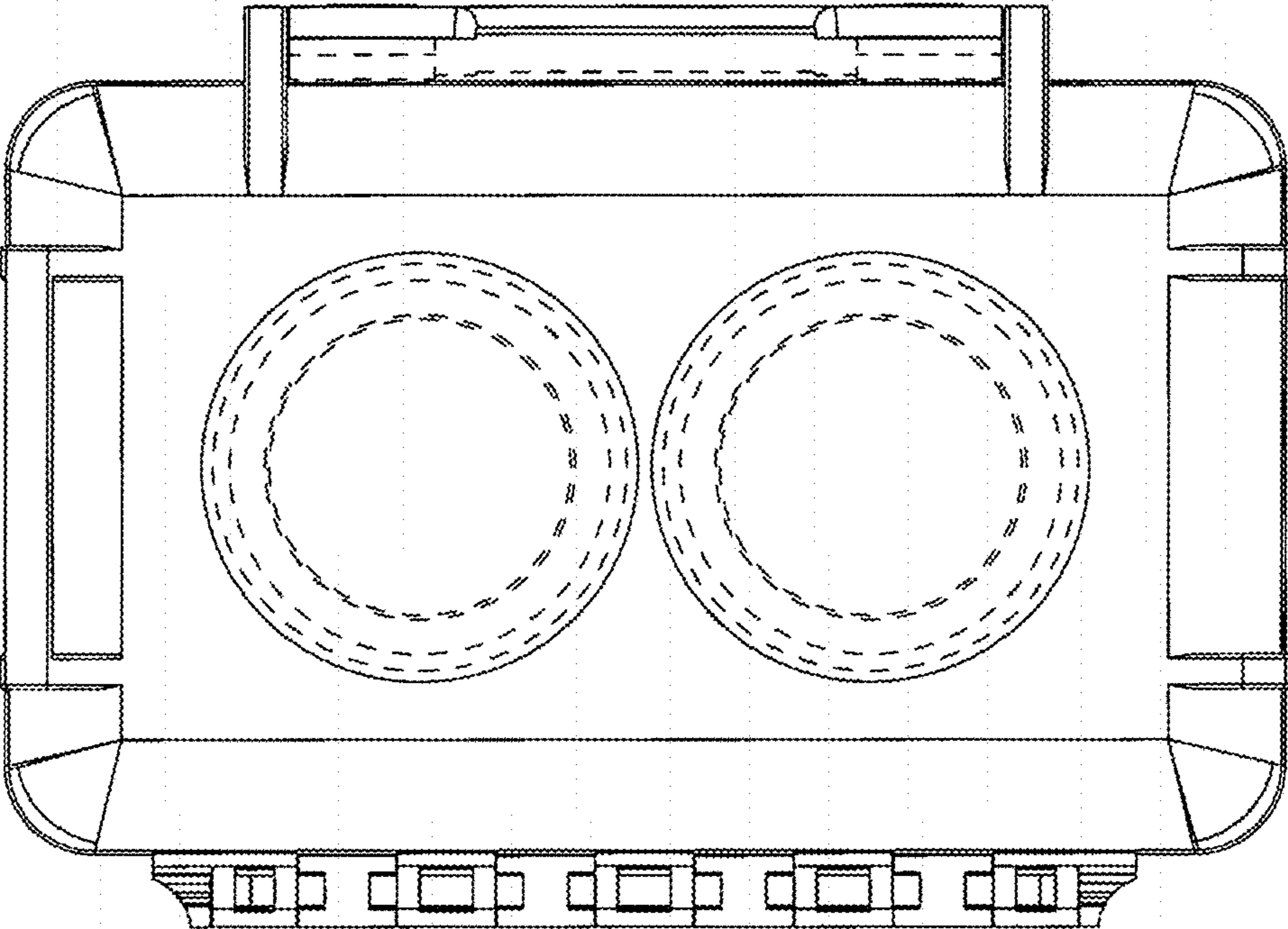


FIG. 2

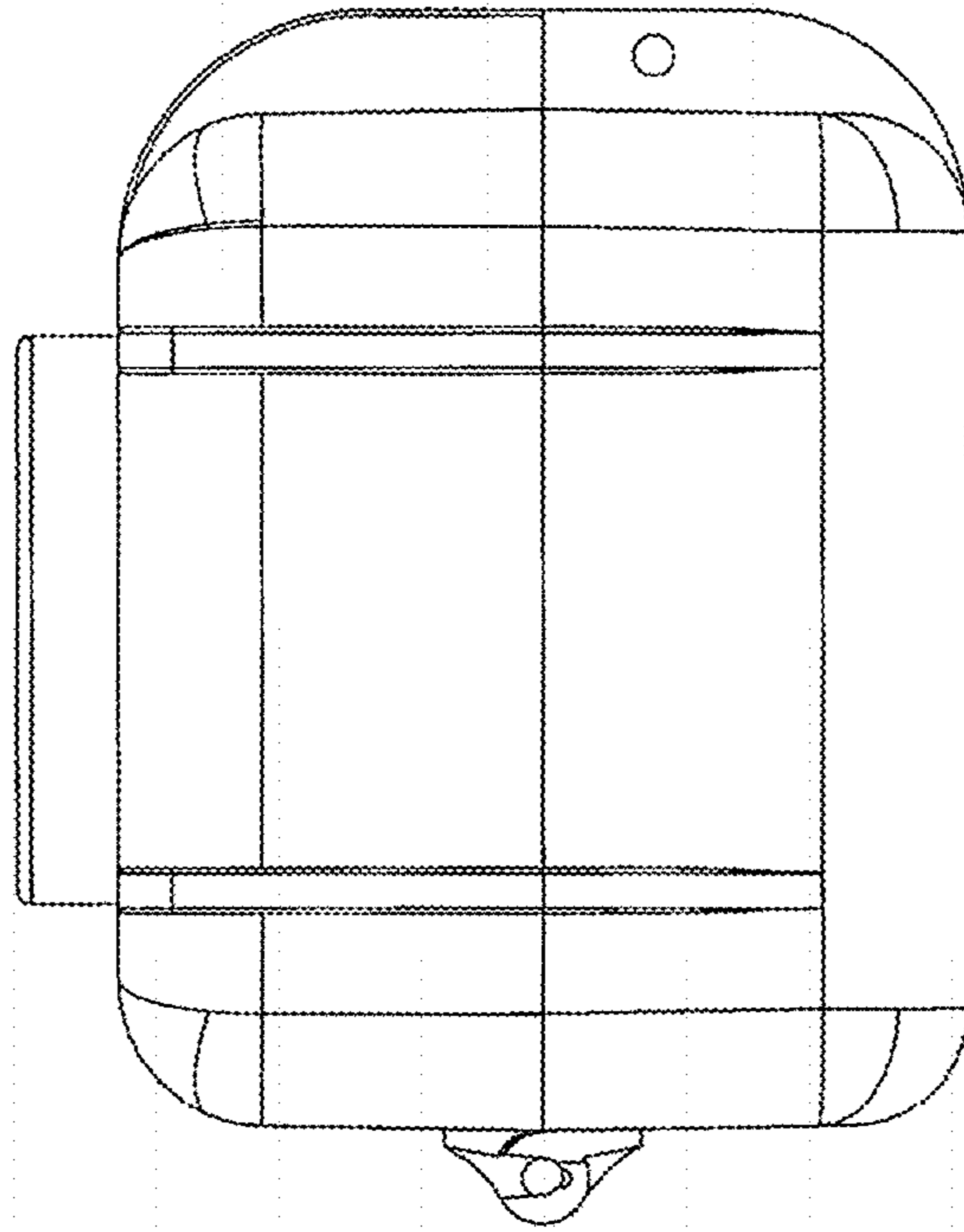


FIG. 3

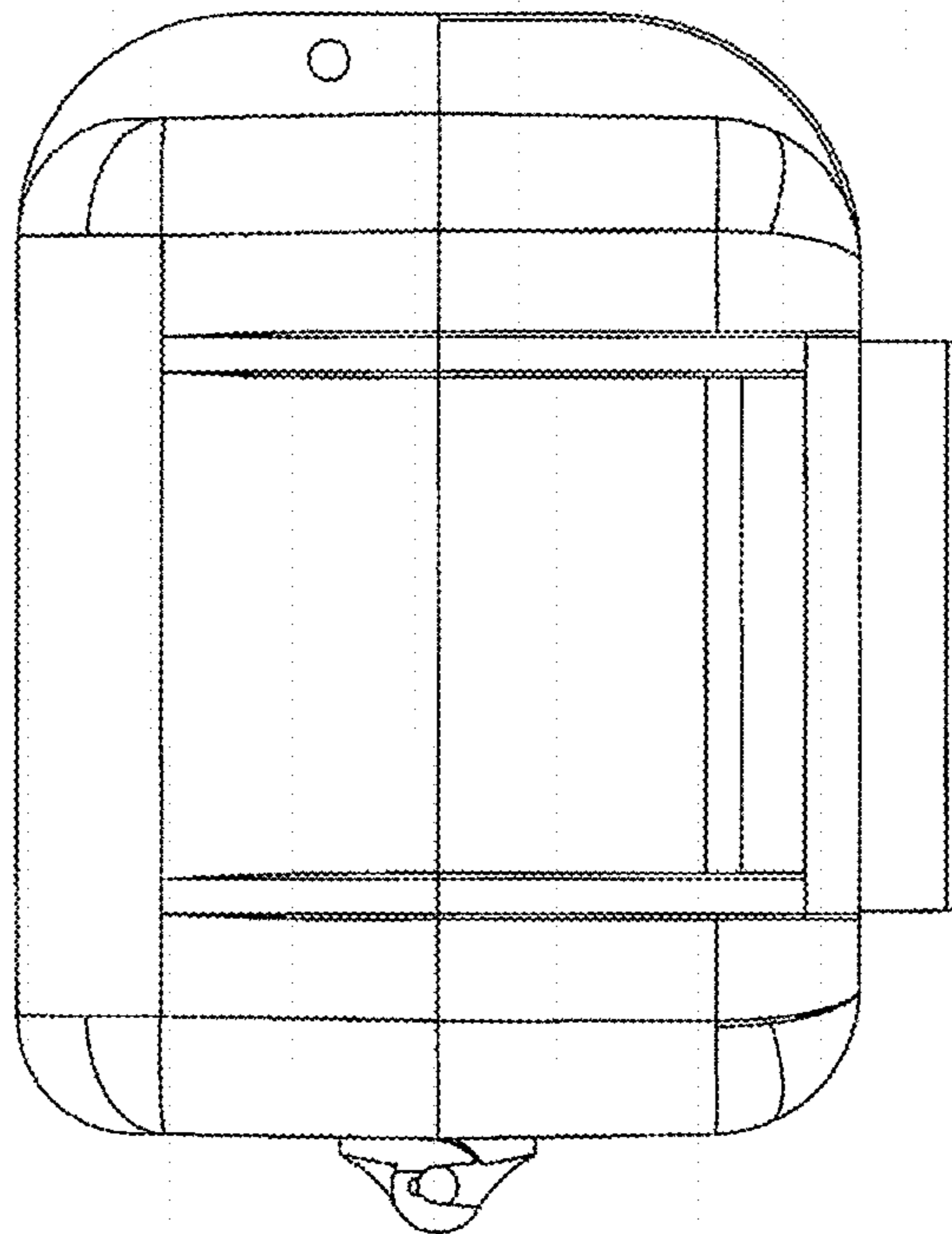


FIG. 4

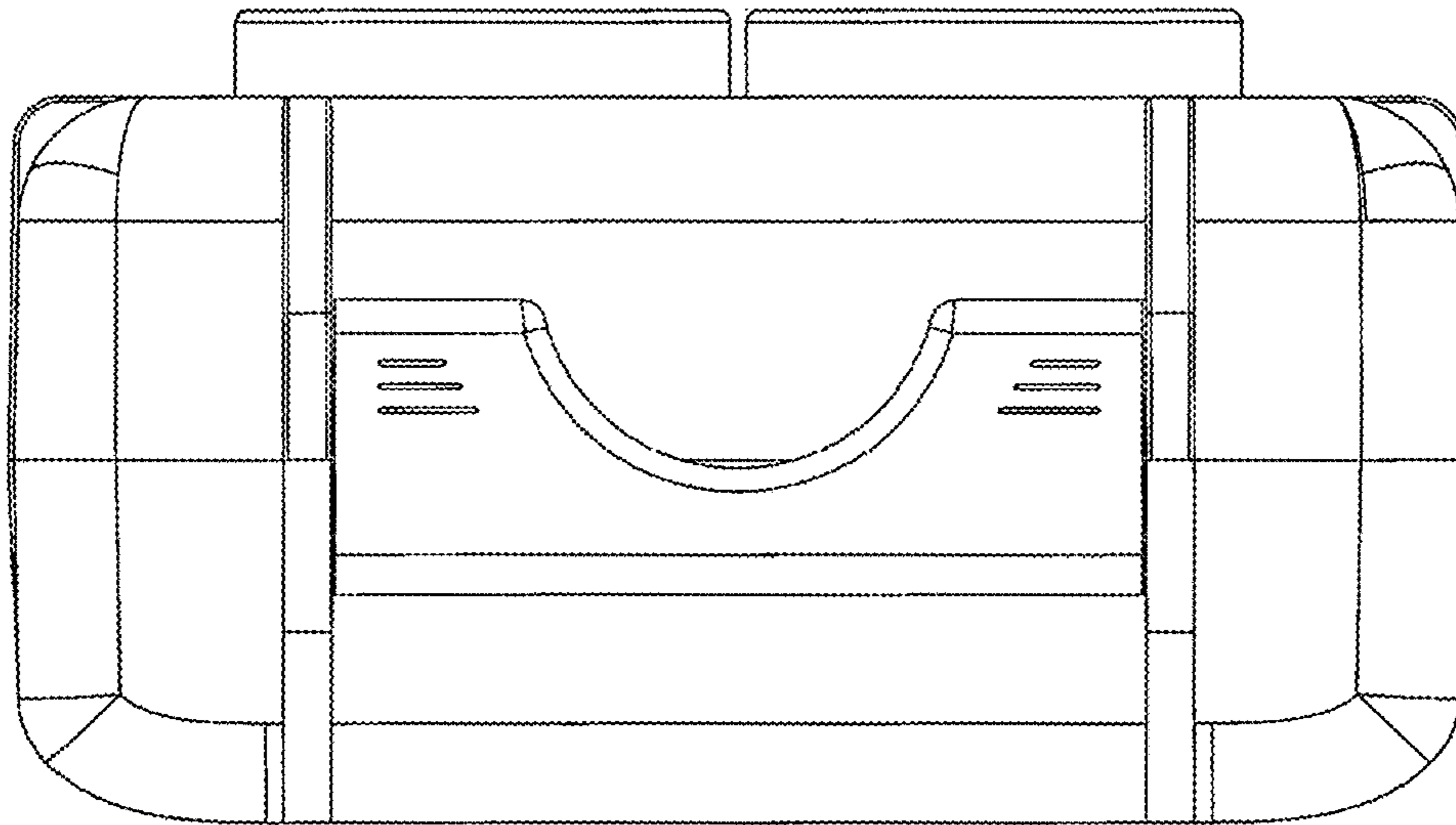


FIG. 5

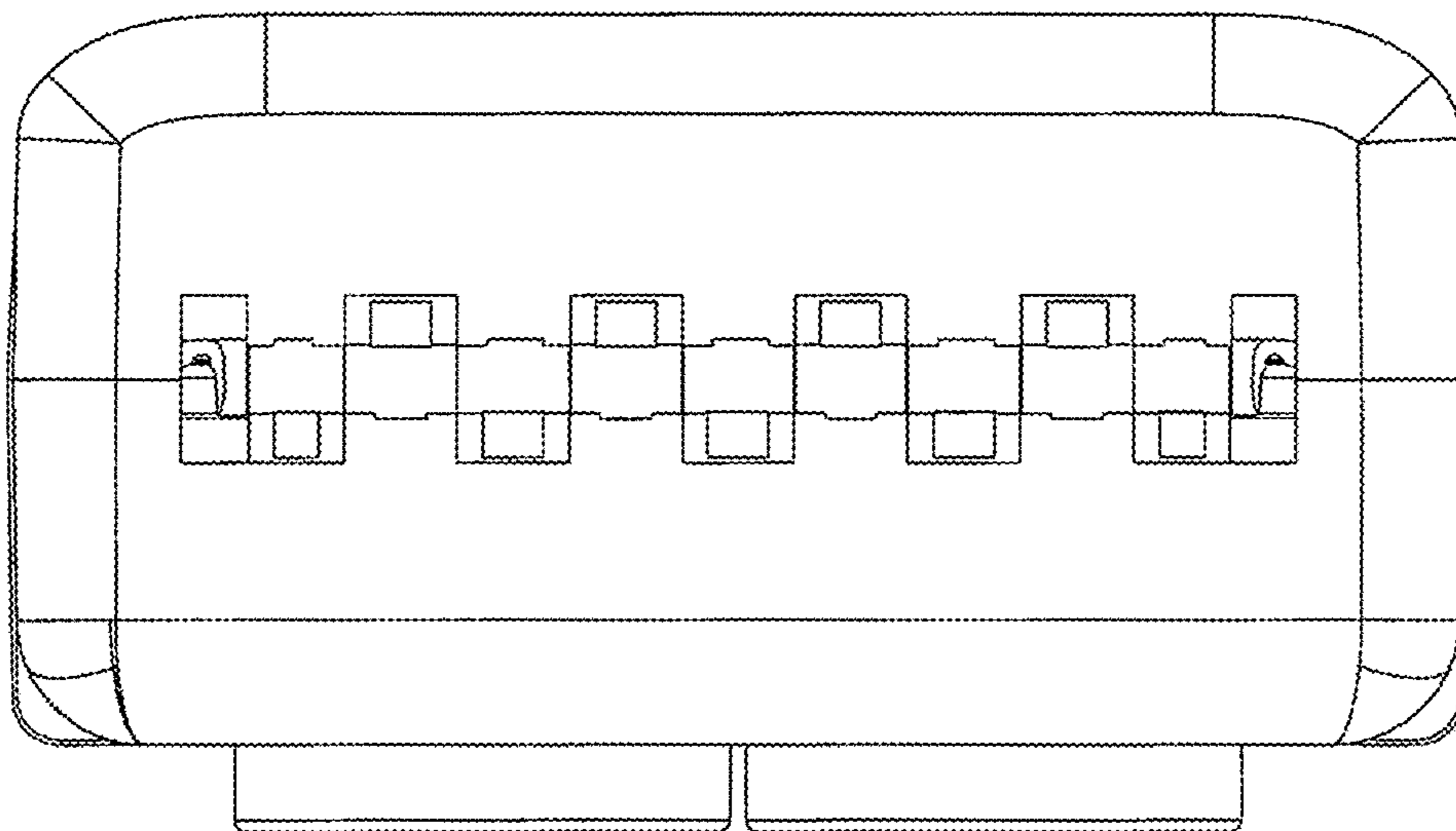


FIG. 6

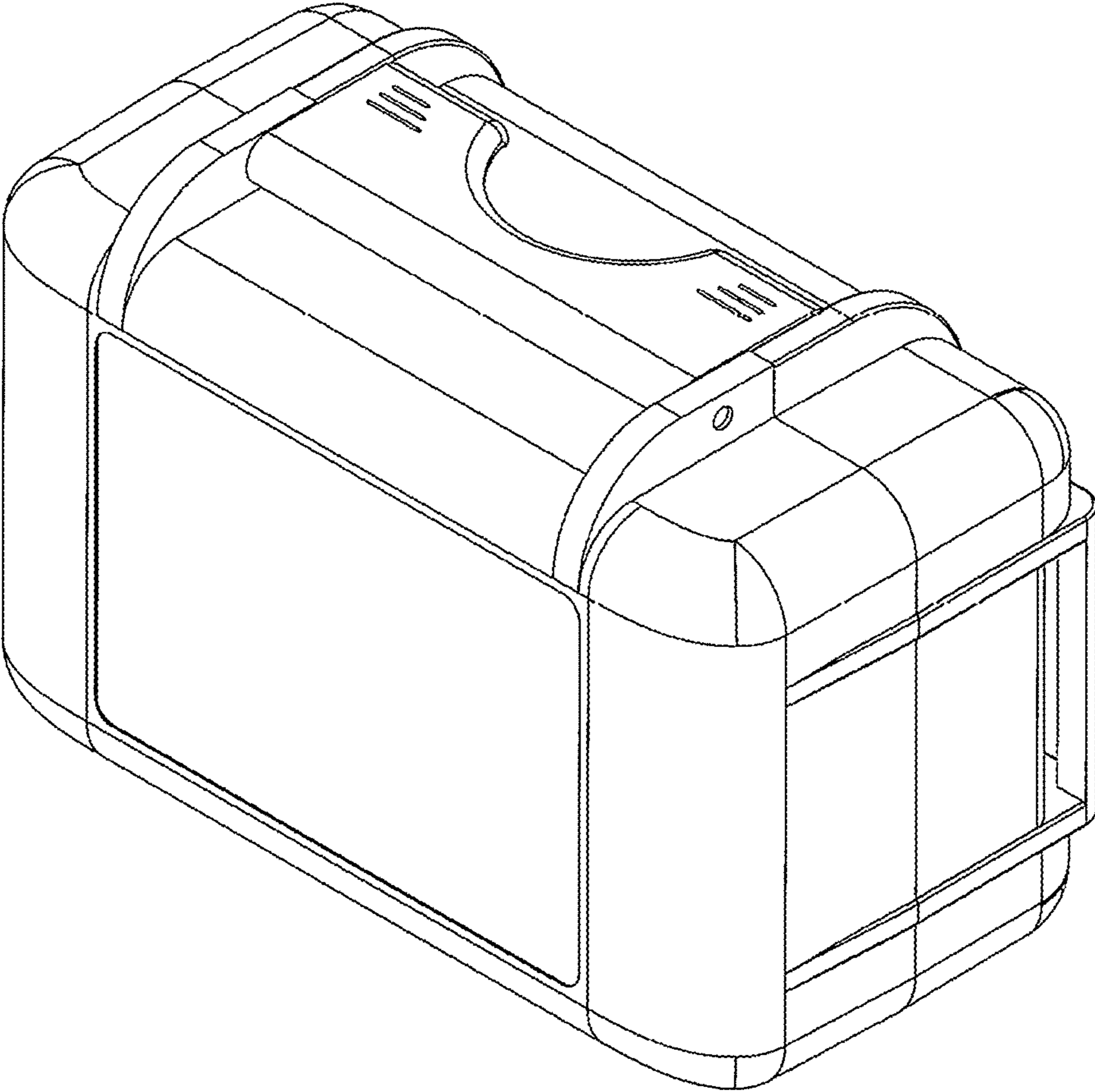


FIG. 7