



US00D816336S

(12) **United States Design Patent** (10) **Patent No.:** **US D816,336 S**
Morszeck (45) **Date of Patent:** **** May 1, 2018**

(54) **SUITCASE**
(71) Applicant: **RIMOWA GmbH**, Cologne (DE)
(72) Inventor: **Dieter Morszeck**, Cologne (DE)
(73) Assignee: **RIMOWA GmbH**, Cologne (DE)
(**) Term: **15 Years**
(21) Appl. No.: **29/598,034**
(22) Filed: **Mar. 22, 2017**

D732,823 S 6/2015 Baron
D767,893 S 10/2016 Diz
D768,985 S 10/2016 Morszeck
D784,016 S * 4/2017 Morszeck D3/279
D785,937 S * 5/2017 Morszeck D3/279
D787,825 S * 5/2017 Morszeck D3/279
D788,460 S * 6/2017 Morszeck D3/279
D788,461 S * 6/2017 Tonelli D3/279
D790,855 S * 7/2017 Ji D3/279
D792,095 S * 7/2017 Morszeck D3/279
D792,107 S * 7/2017 Morszeck D3/321
D793,727 S * 8/2017 Brundl D3/279
2011/0114430 A1 5/2011 Tsai

(Continued)

Related U.S. Application Data

(63) Continuation-in-part of application No. 35/500,509, filed on Jul. 20, 2015 (U.S. filing date under 35 U.S.C. 384), and having an international filing date of Jul. 20, 2015, now Pat. No. Des. 787,825.
(51) **LOC (11) Cl.** **03-01**
(52) **U.S. Cl.**
USPC **D3/279**
(58) **Field of Classification Search**
USPC D3/272, 273, 276, 279, 281, 282, 285, D3/287, 289, 321, 902
CPC A45C 3/00; A45C 3/004; A45C 2003/008; A45C 5/00; A45C 5/03; A45C 2005/032; A45C 2005/037; A45C 5/04
See application file for complete search history.

References Cited

U.S. PATENT DOCUMENTS

D547,549 S 7/2007 Johansson
7,398,868 B2 * 7/2008 Morszeck A45C 5/06
190/110
D666,000 S 8/2012 Gifford
D675,018 S * 1/2013 Roberts D3/279
D711,104 S 8/2014 Lai
D711,649 S 8/2014 Chen
D715,541 S * 10/2014 Morszeck D3/232
D722,771 S 2/2015 Wu

OTHER PUBLICATIONS

Luggage Pros, "Rimowa Salsa Deluxe Hybrid Small Business Multiwheel", Accessed Sep. 16, 2017, Questioned answered on product pages dated Mar. 21, 2017. (<https://www.luggagepros.com/rimowa-salsa-deluxe-hybrid-small-business-multiwheel.shtml>).*

Primary Examiner — Jennifer Rivard
Assistant Examiner — April Rivas
(74) *Attorney, Agent, or Firm* — Maier & Maier, PLLC

CLAIM

(57) The ornamental design for a suitcase, as shown and described.

DESCRIPTION

FIG. 1 is a front perspective view of a suitcase, showing my design;
FIG. 2 is a front elevation view thereof;
FIG. 3 is a rear elevation view thereof;
FIG. 4 is a right elevation view thereof;
FIG. 5 is a left elevation view thereof;
FIG. 6 is a top plan view thereof; and,
FIG. 7 is a bottom plan view thereof.
The broken lines illustrate portions of the suitcase and form no part of the claimed design.

1 Claim, 5 Drawing Sheets



(56)

References Cited

U.S. PATENT DOCUMENTS

2012/0255824 A1 10/2012 Schnell
2016/0278492 A1* 9/2016 Morszeck A45C 5/02

* cited by examiner



Fig. 1

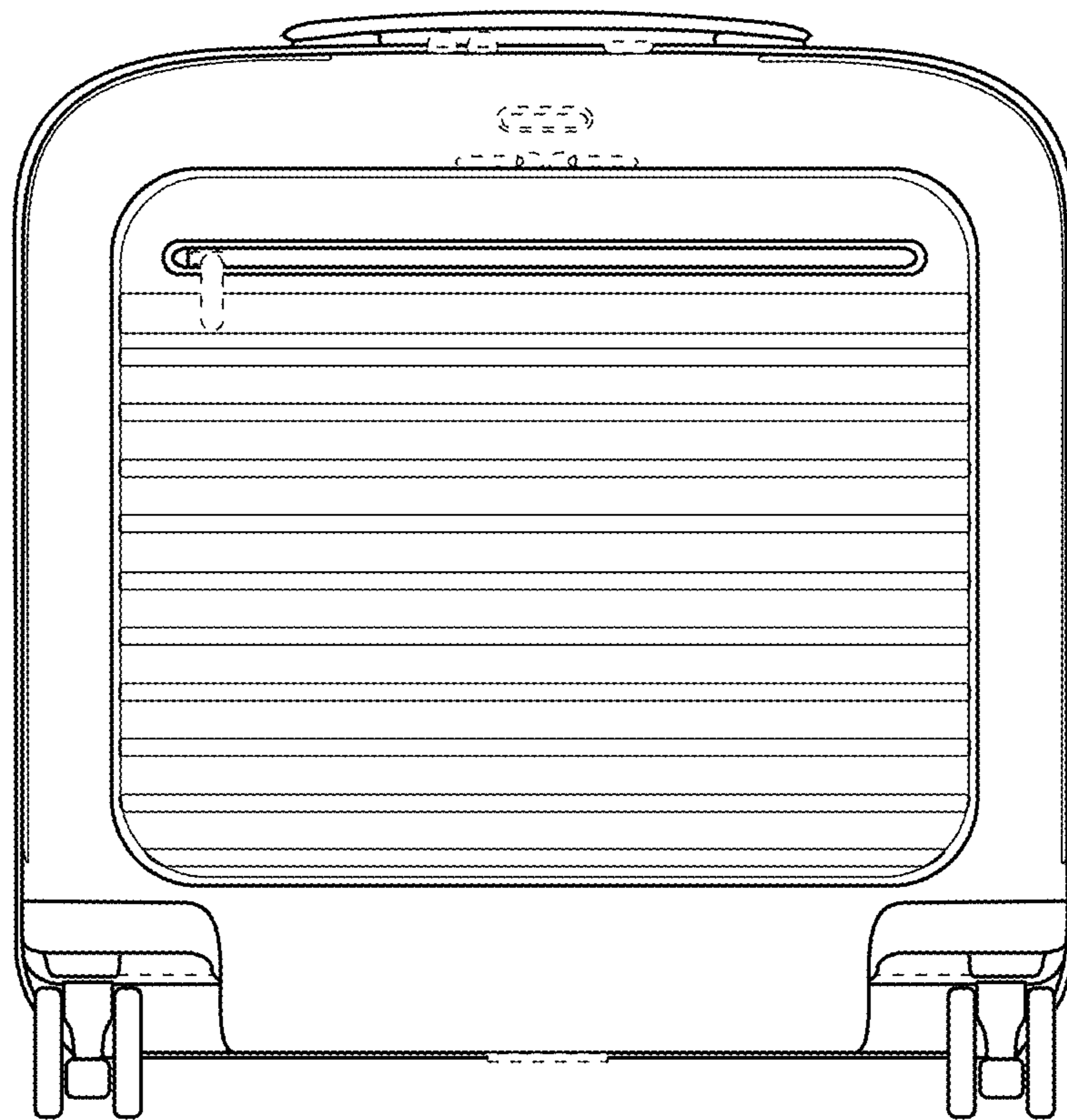


Fig. 2

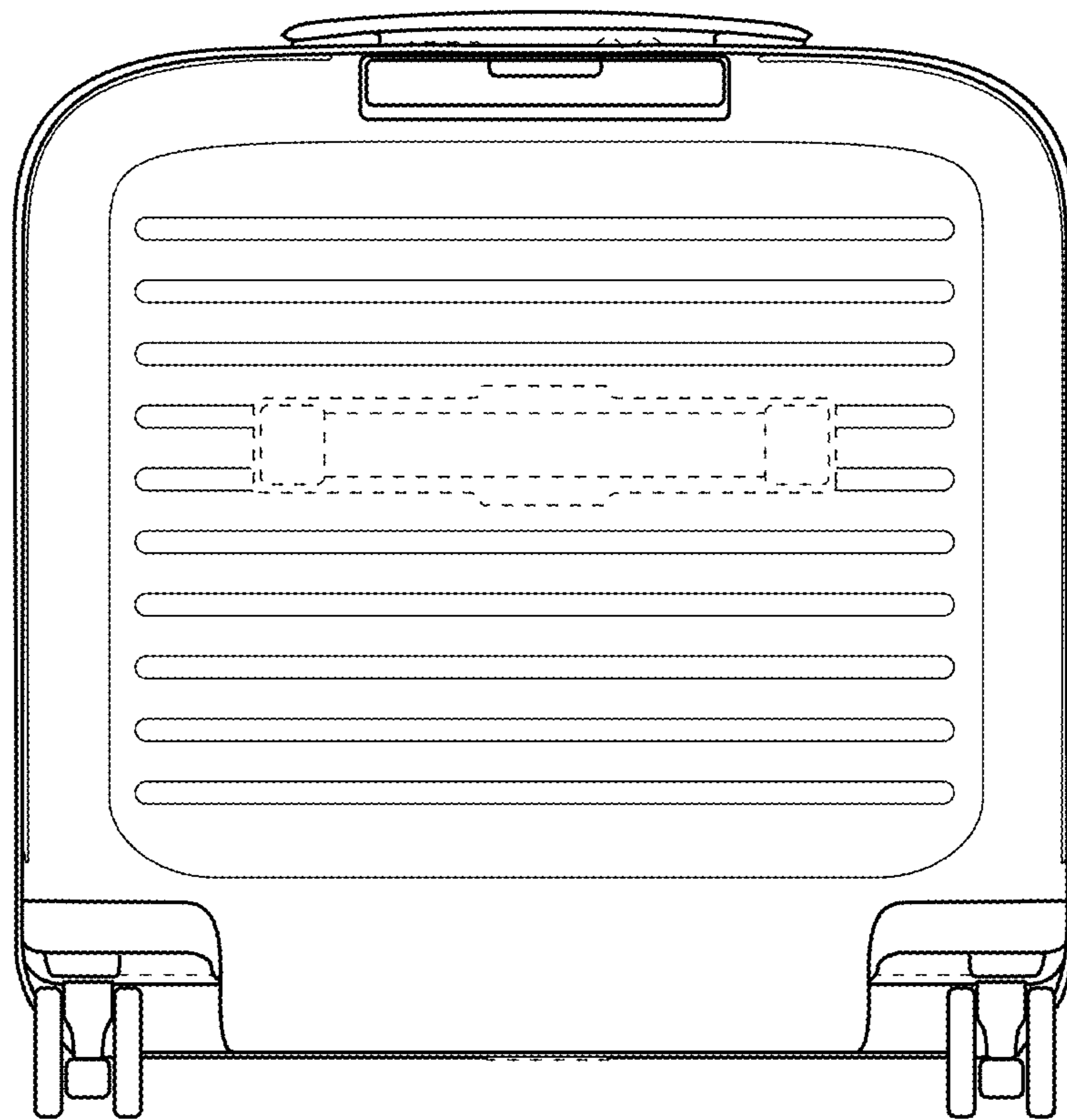


Fig. 3

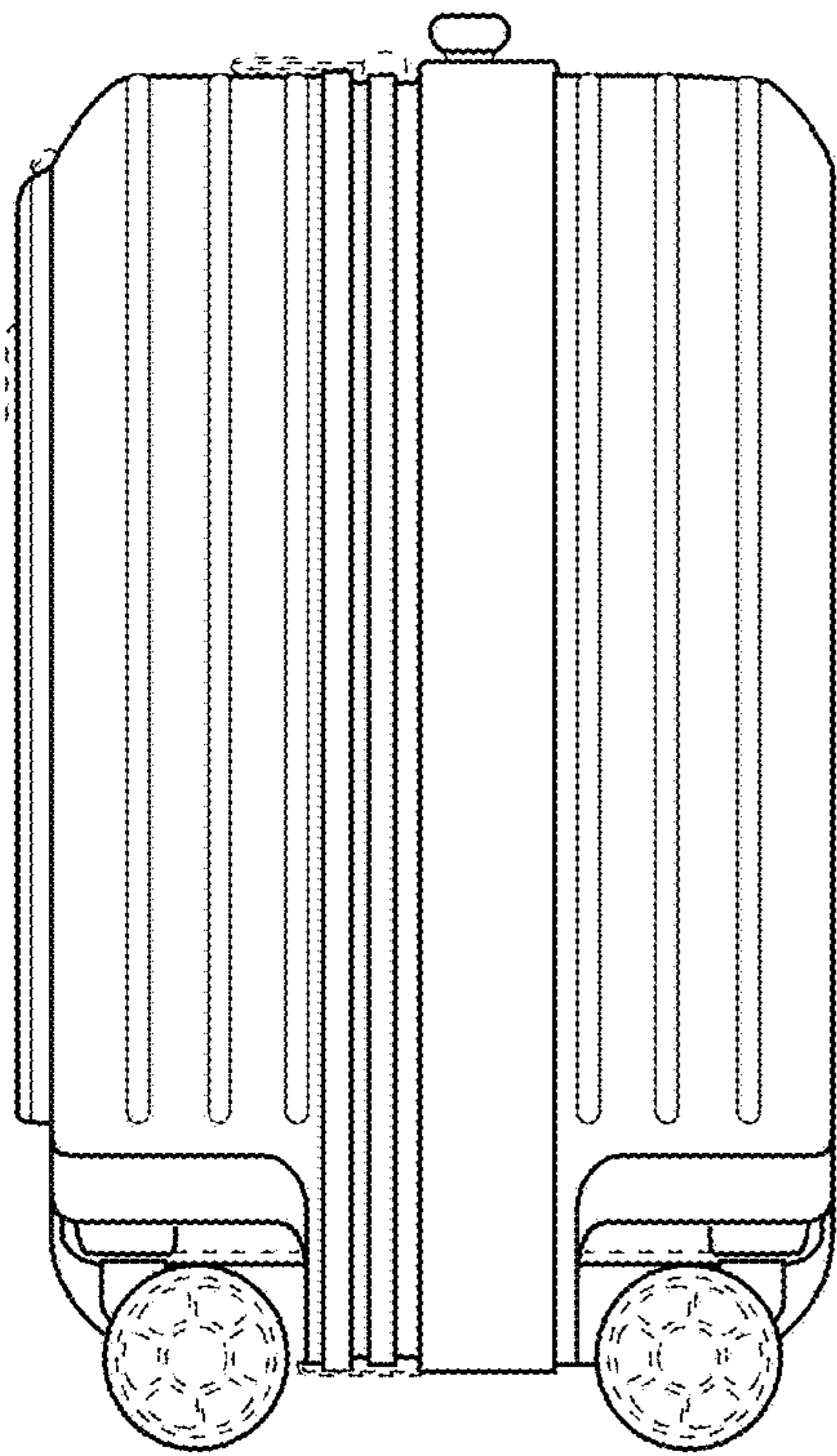


Fig. 4

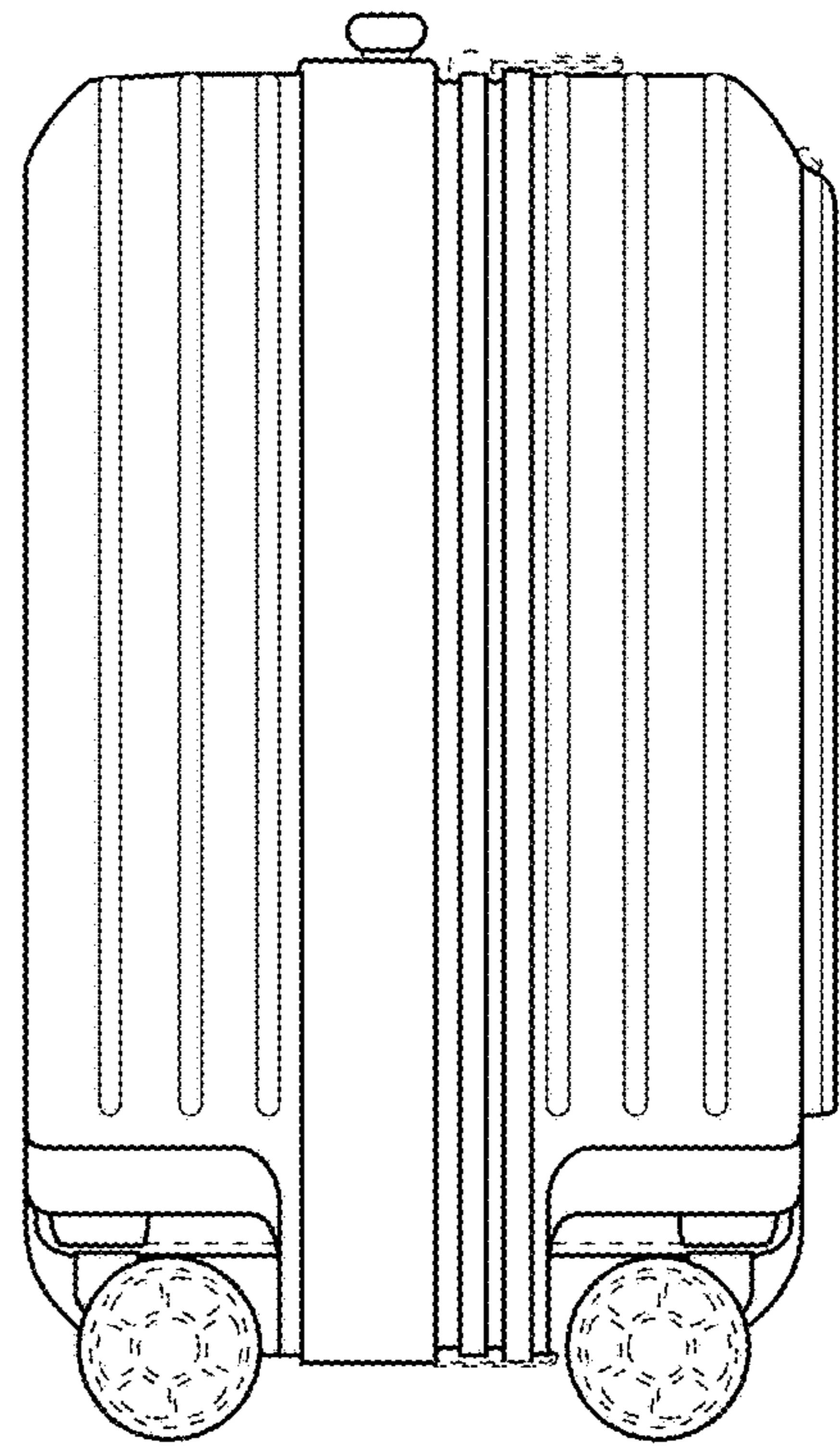


Fig. 5

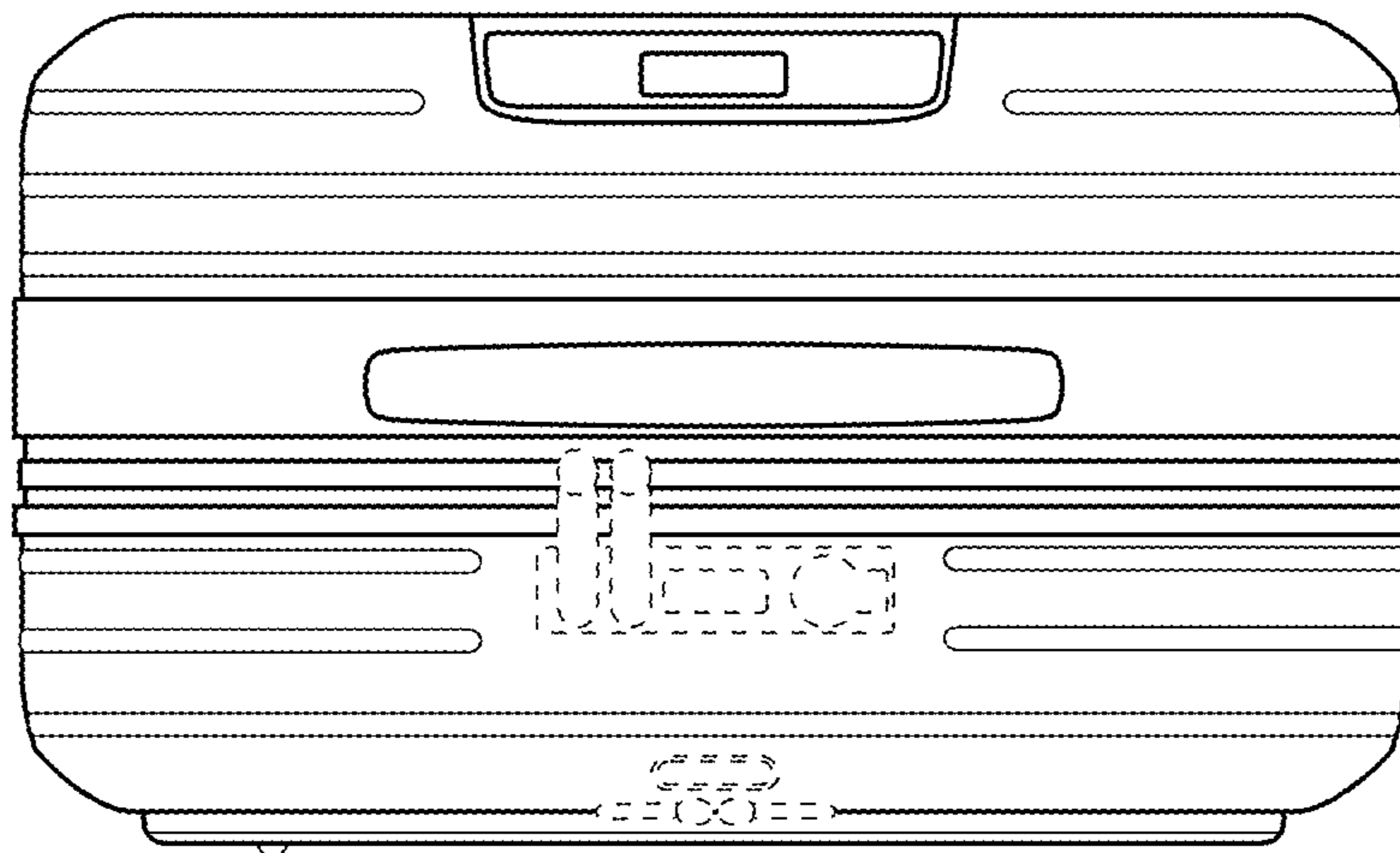


Fig. 6

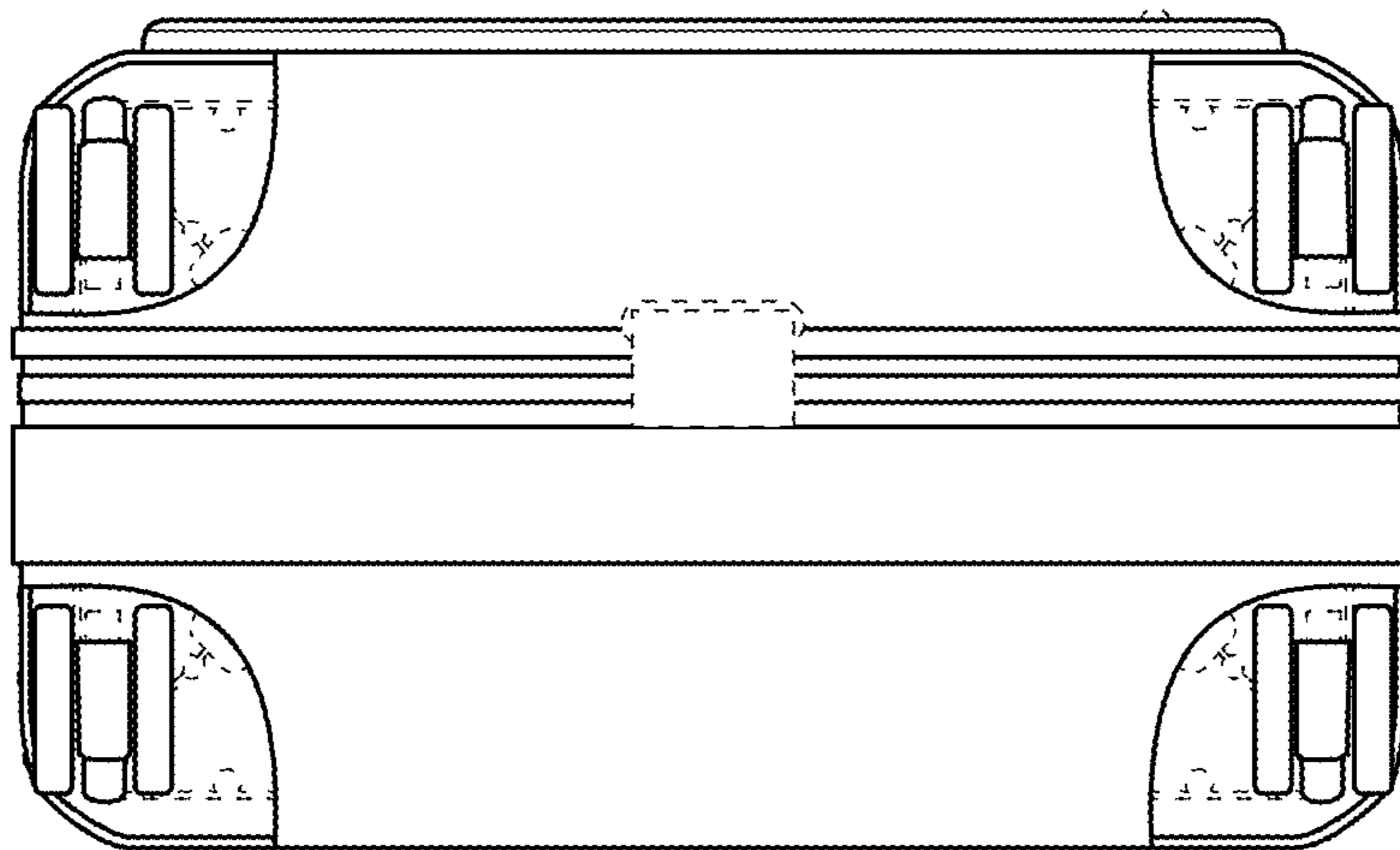


Fig. 7