

US00D816335S

(12) **United States Design Patent** (10) **Patent No.:** **US D816,335 S**
Chen (45) **Date of Patent:** **** May 1, 2018**

(54) **LUGGAGE CASE**
(71) Applicant: **Solite International Co., Ltd.**,
Changhua, Changhua County (TW)
(72) Inventor: **Yu-Chi Chen**, Changhua (TW)
(73) Assignee: **Solite International Co., Ltd.**,
Changhua (TW)
(**) Term: **15 Years**
(21) Appl. No.: **29/594,514**
(22) Filed: **Feb. 20, 2017**
(51) **LOC (11) Cl.** **03-01**
(52) **U.S. Cl.**
USPC **D3/273; D3/279**
(58) **Field of Classification Search**
USPC D3/273, 274, 276, 279, 281, 282, 284,
D3/289, 902
CPC .. A45C 3/00; A45C 3/004; A45C 5/00; A45C
5/03; A45C 2005/037; A45C 5/04; A45C
2200/15; A45C 5/14
See application file for complete search history.

D783,282 S * 4/2017 Sijmons D3/279
D796,199 S * 9/2017 Law D3/279
D797,456 S * 9/2017 Chen D3/318
2007/0296117 A1* 12/2007 Taeye B29C 51/087
264/271.1
2017/0318926 A1* 11/2017 Sijmons A45C 5/03

OTHER PUBLICATIONS

Aliexpress, "Trolley luggage luggage female 20 ultra-light small fresh", Accessed Jan. 2, 2018. (<https://www.aliexpress.com/item/Trolley-luggage-luggage-female-20-ultra-light-small-fresh-password-box-travel-bag-24-universal-wheels/32826249075.html>).*
American Tourister, "American Tourister Curio 20" Spinner", Accessed Jan. 2, 2018. (https://shop.americantourister.com/luggage/hardside/american-tourister-curio-20%22-spinner/90950XXXX.html?dwvar_90950XXXX_color=Black#start=1).*

* cited by examiner

Primary Examiner — Jennifer Rivard
Assistant Examiner — April Rivas
(74) *Attorney, Agent, or Firm* — Alan D. Kamrath;
Kamrath IP Lawfirm, P.A.

(57) **CLAIM**

The ornamental design for a luggage case, as shown and described.

DESCRIPTION

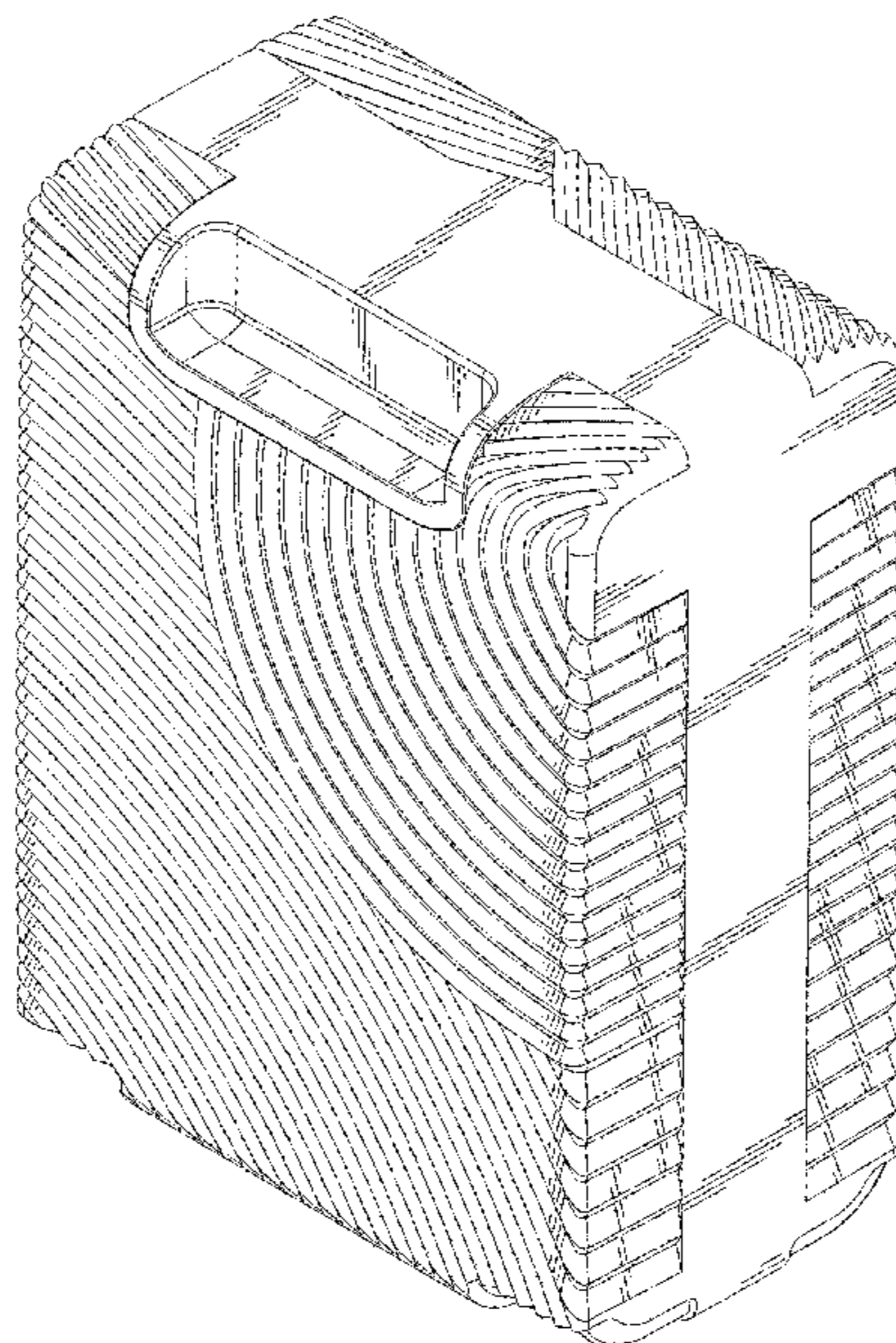
FIG. 1 is a front perspective view of a luggage case showing my new design;
FIG. 2 is a front view thereof;
FIG. 3 is a rear view thereof;
FIG. 4 is a left view thereof;
FIG. 5 is a right view thereof;
FIG. 6 is a top view thereof; and,
FIG. 7 is a bottom view thereof.

1 Claim, 7 Drawing Sheets

(56) **References Cited**

U.S. PATENT DOCUMENTS

D435,967 S * 1/2001 Tiramani D3/273
D502,811 S * 3/2005 Premper D3/273
D582,160 S * 12/2008 Sijmons D3/279
D633,716 S * 3/2011 Turella-Yuan D3/279
D709,696 S * 7/2014 Wu D3/279
D711,104 S * 8/2014 Lai D3/279
D711,647 S * 8/2014 Chen D3/279
D720,928 S * 1/2015 Roncato D3/279
D732,823 S * 6/2015 Baron D3/276
D755,518 S * 5/2016 Sijmons D3/279



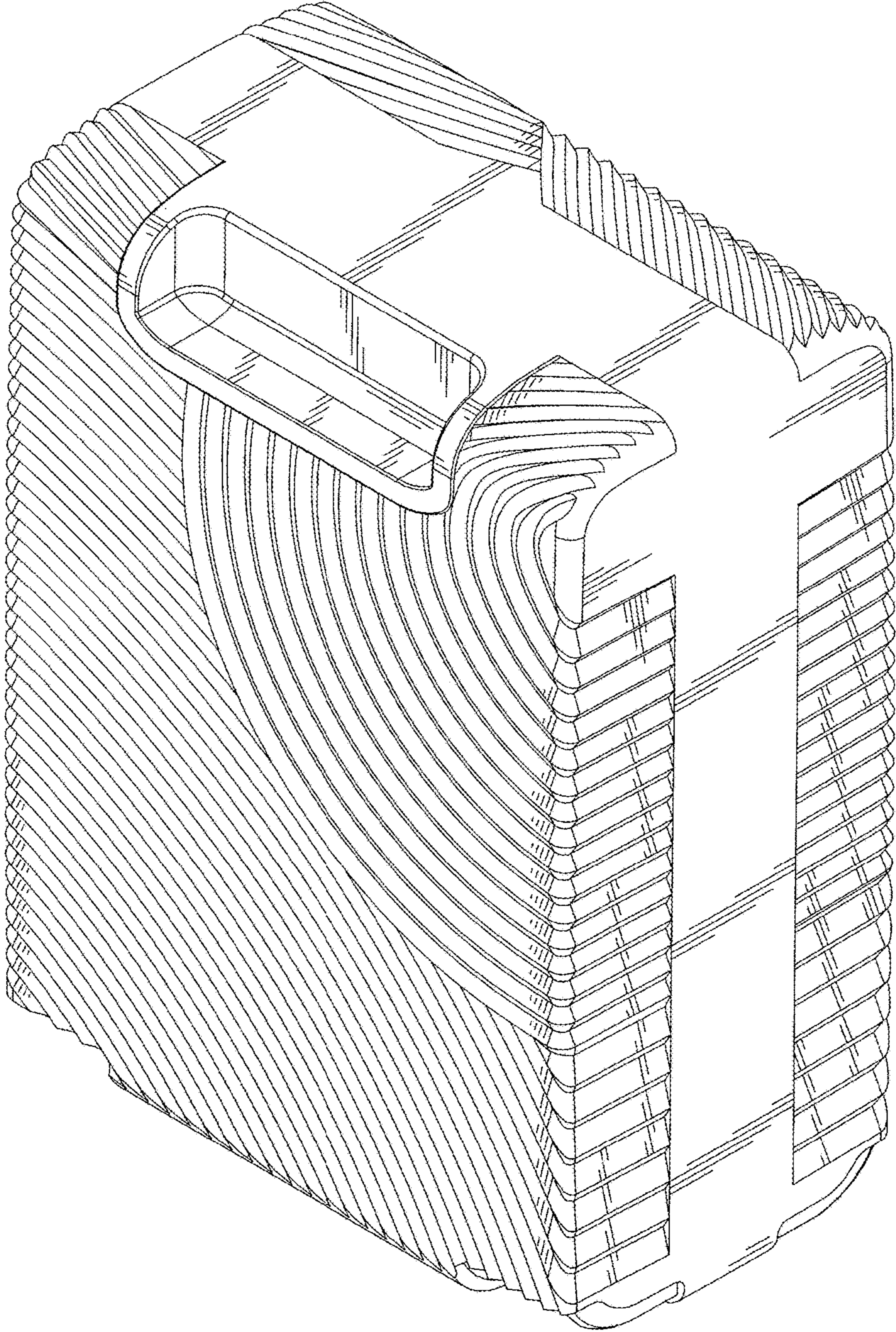


FIG. 1

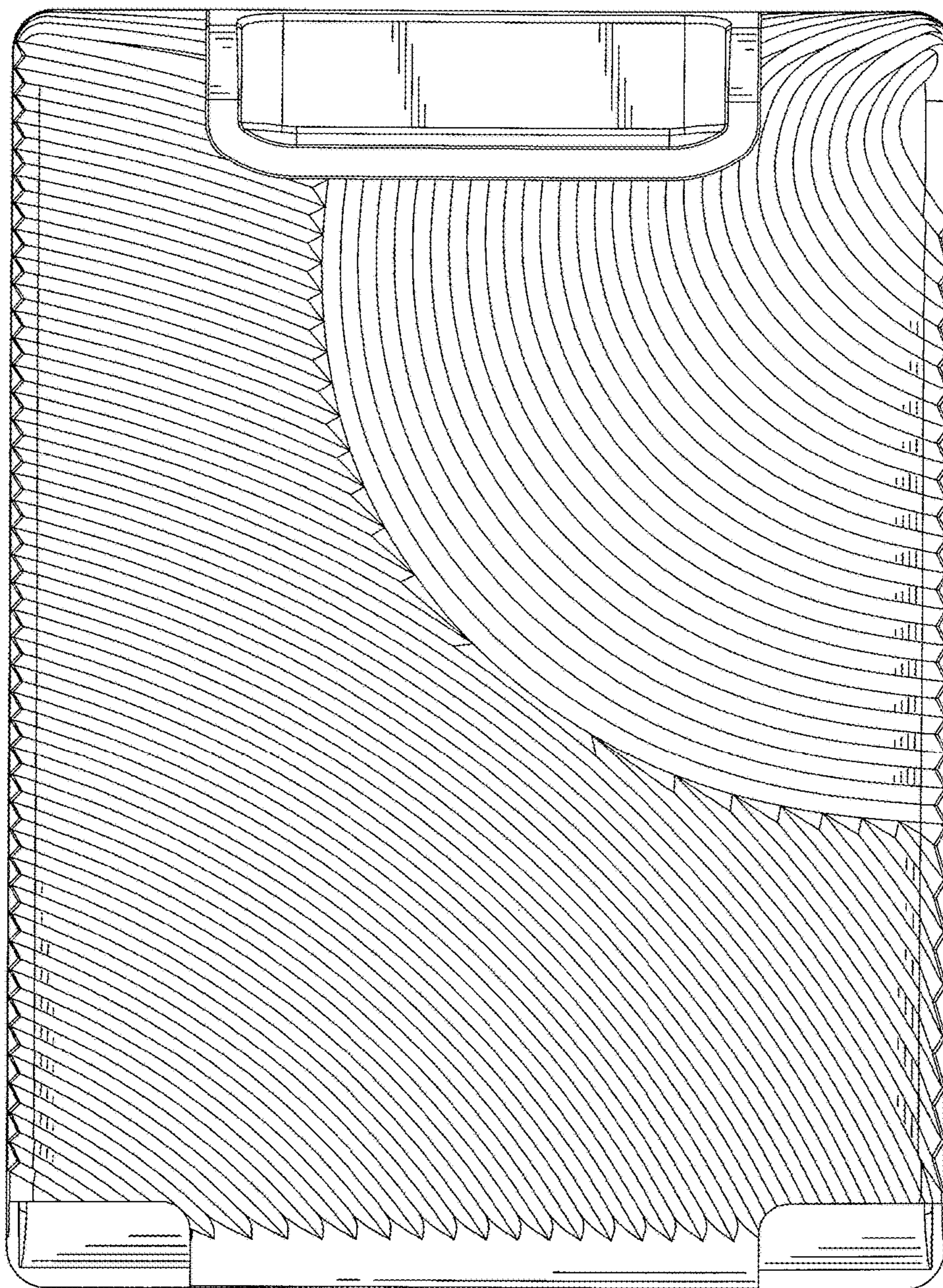


FIG. 2

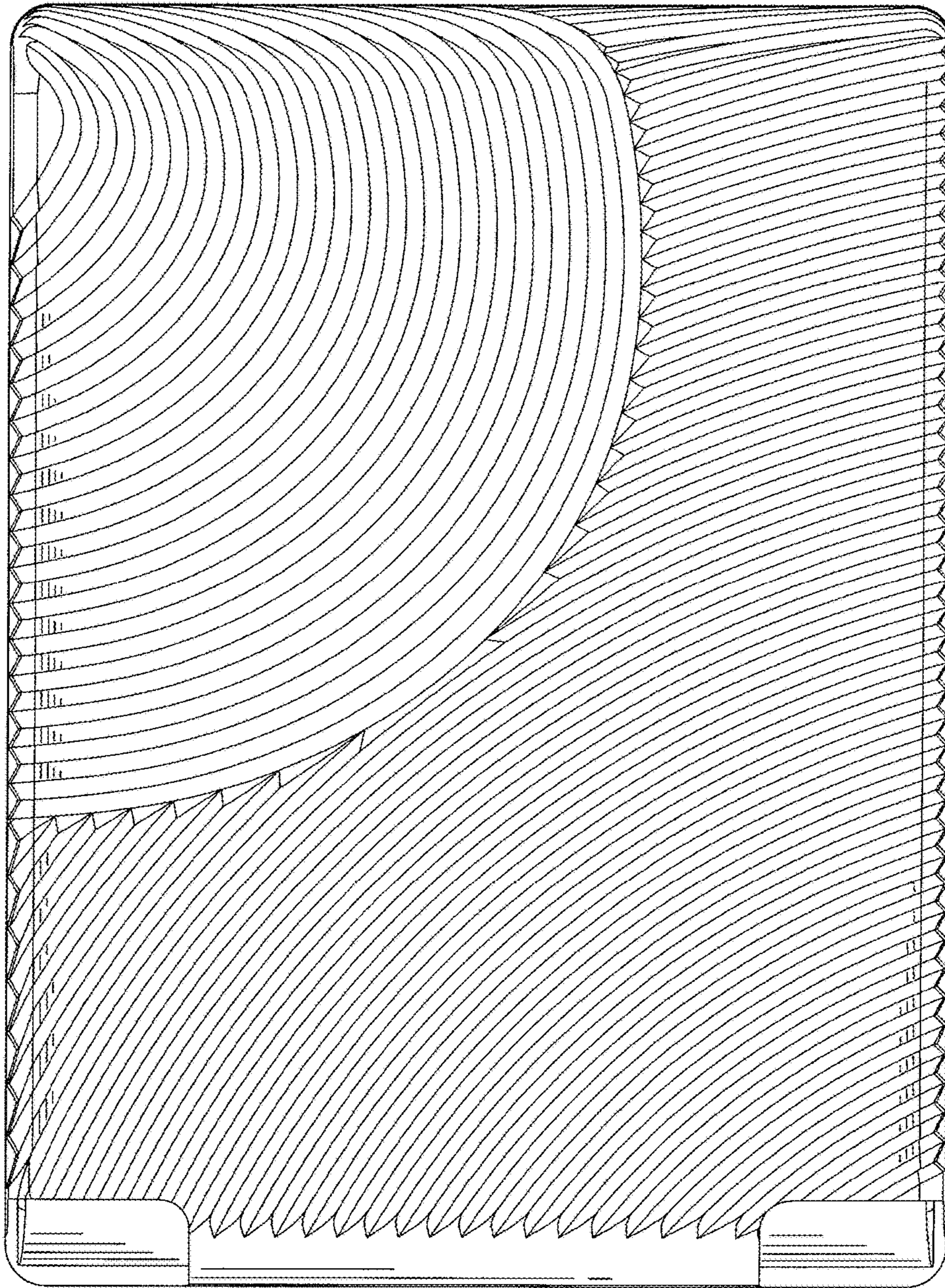


FIG. 3

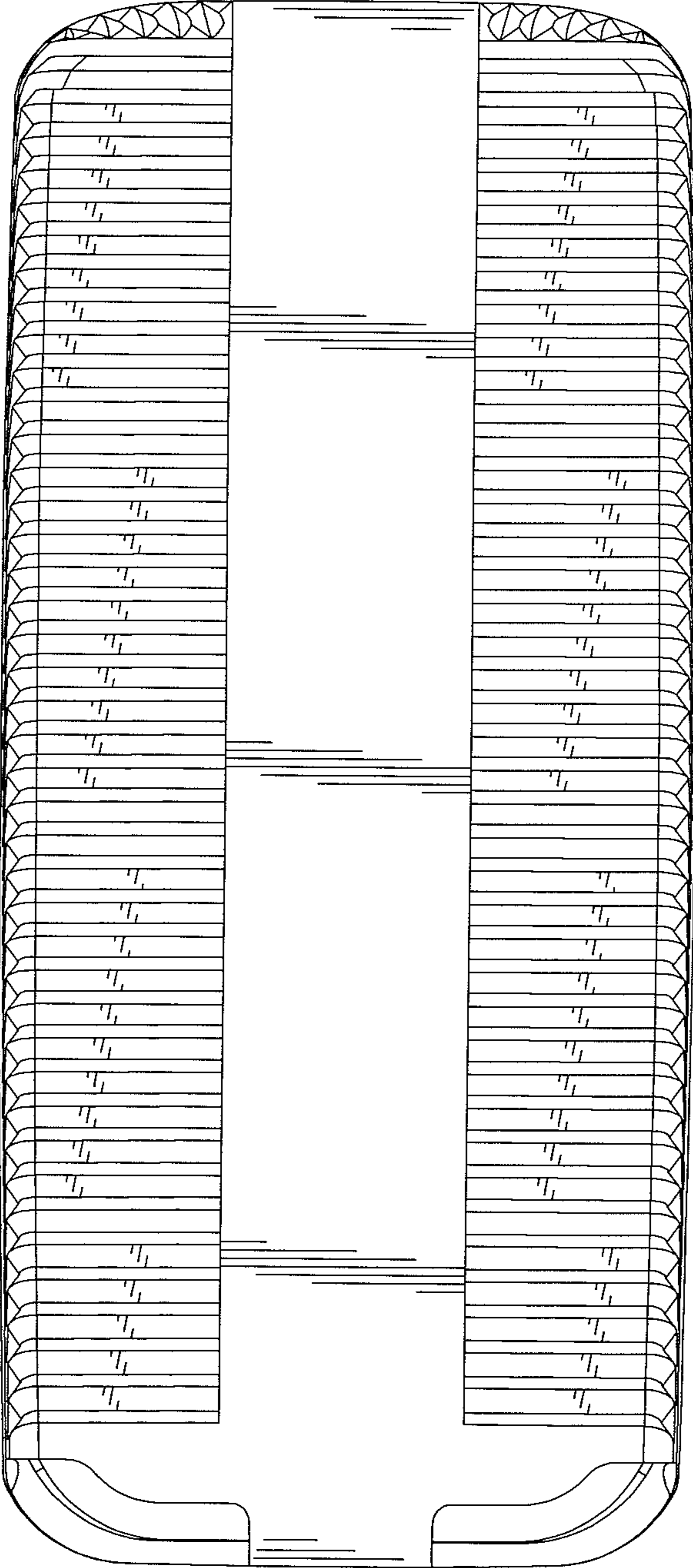


FIG. 4

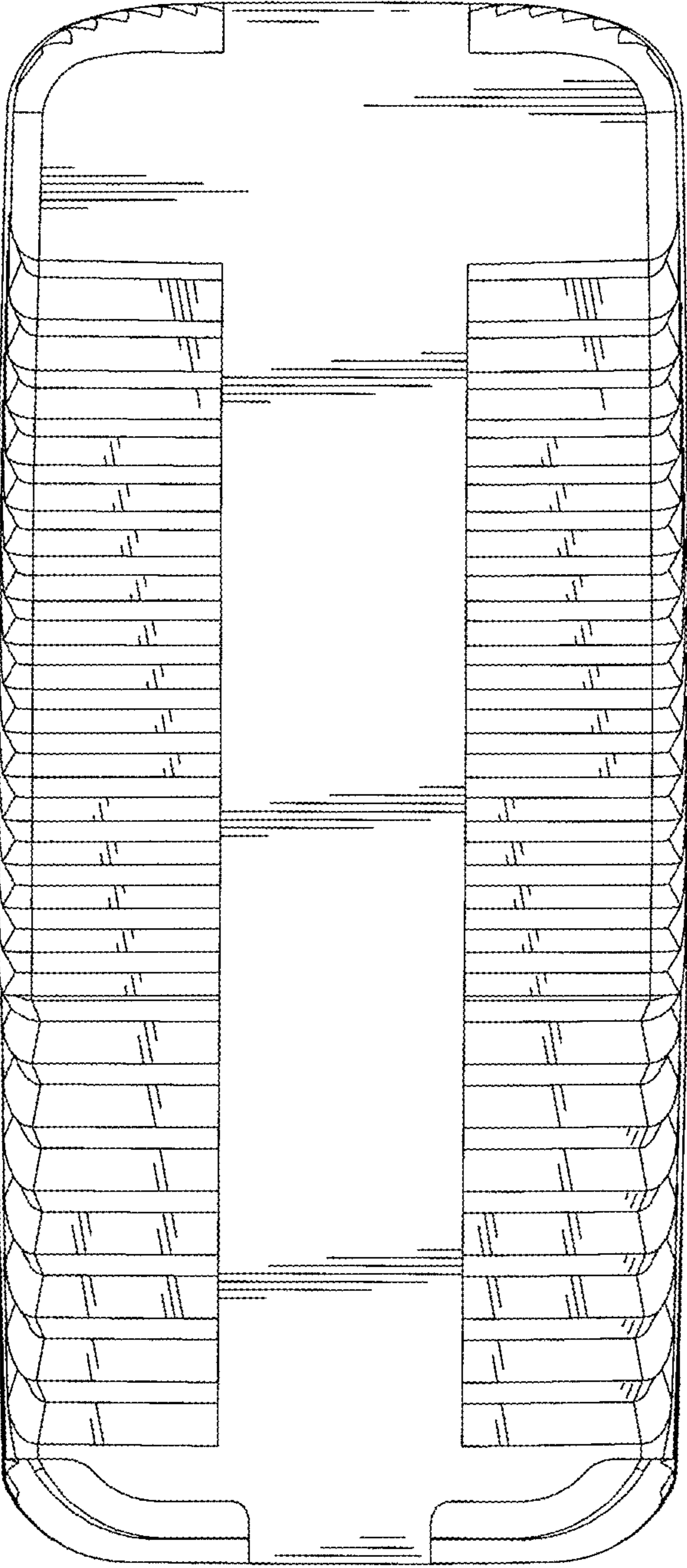


FIG. 5

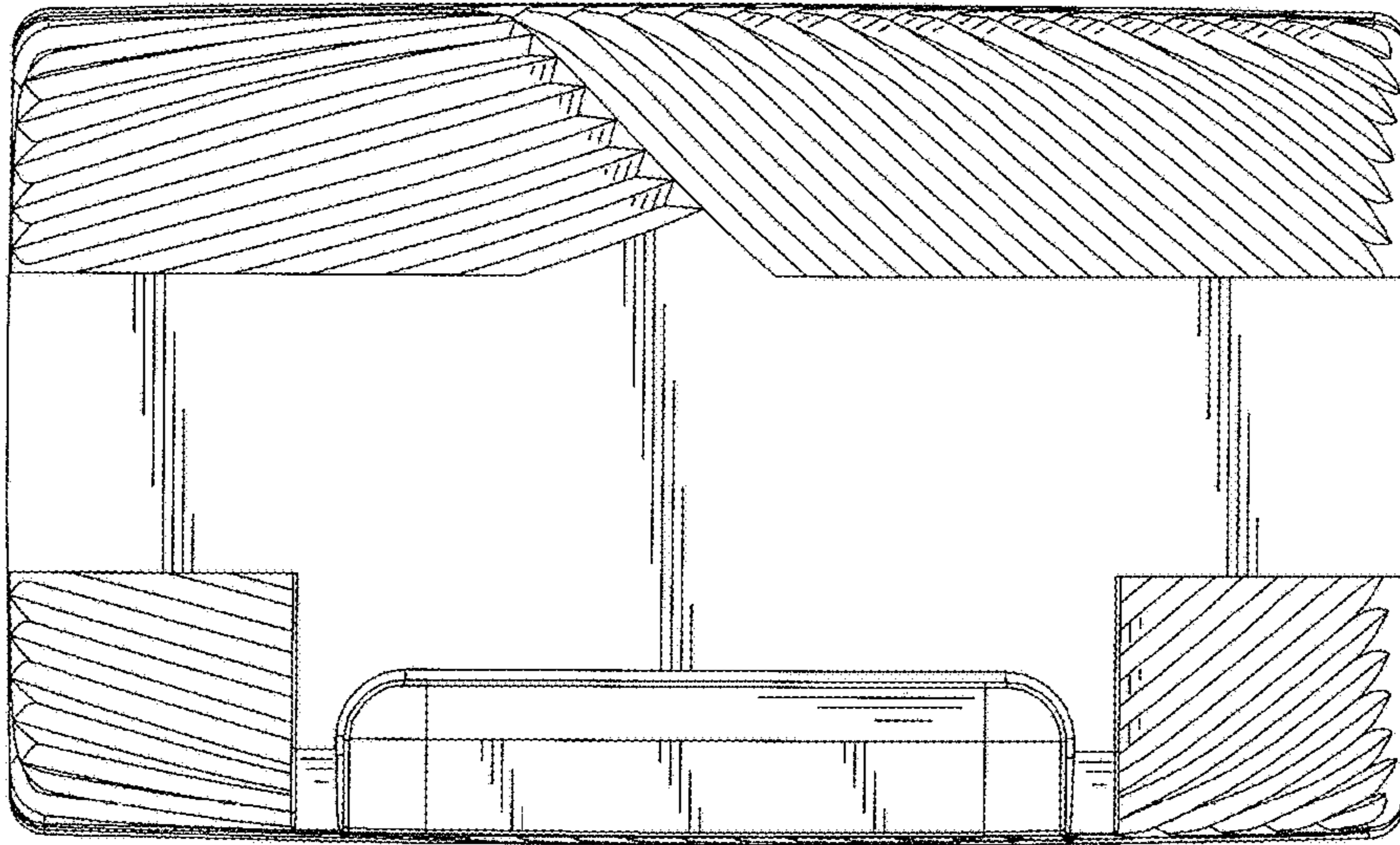


FIG. 6

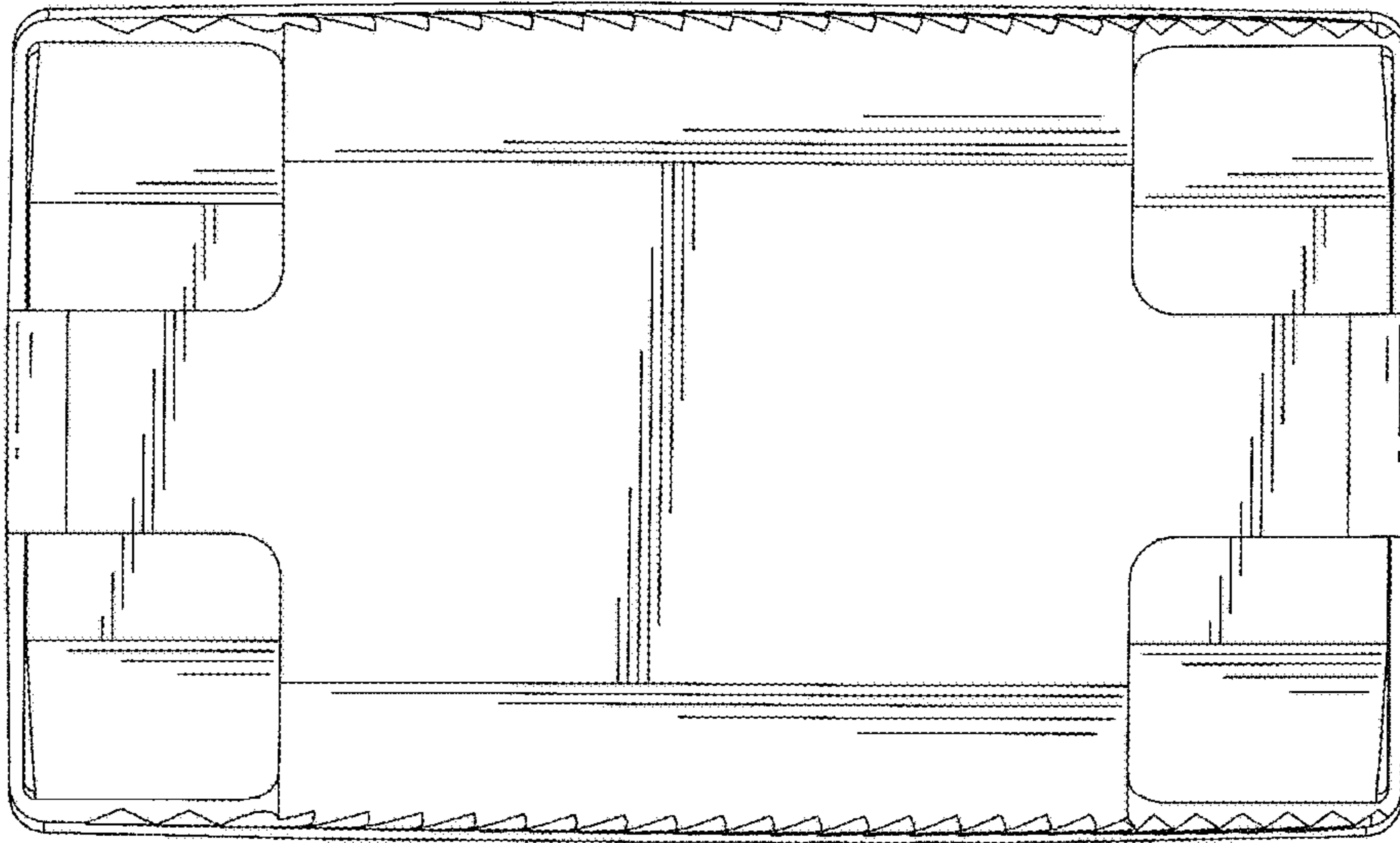


FIG. 7