



US00D816332S

(12) **United States Design Patent** (10) **Patent No.:** **US D816,332 S**  
**Kao et al.** (45) **Date of Patent:** **\*\* May 1, 2018**

(54) **DEVICE FOR HOLDING BATH TOYS**

(71) Applicant: **Skip Hop Inc.**, New York, NY (US)  
(72) Inventors: **Dah Rong Kao**, Long Island City, NY (US); **Benjamin Bearsch**, Brooklyn, NY (US); **Janet Villano**, Jersey City, NJ (US)  
(73) Assignee: **SKIP HOP, INC.**, New York, NY (US)  
(\*\*) Term: **15 Years**  
(21) Appl. No.: **29/584,356**

(22) Filed: **Nov. 14, 2016**  
(51) **LOC (11) Cl.** ..... **03-01**  
(52) **U.S. Cl.**  
USPC ..... **D3/271.2**  
(58) **Field of Classification Search**  
USPC .... D3/271.2, 270, 271.1; D9/600, 601, 606, D9/610; D6/512, 524, 525; D21/576, D21/616; D28/73; 211/1, 85.12, 14, 211/71.01, 85, 85.15, 85.24, 85.29; 220/483; 294/176-180  
CPC ..... A47K 3/001; A47K 3/281; A47K 5/00; A47K 5/02; A47K 7/02; B65D 29/00; B65D 29/04; B65D 11/00; B65D 29/13; B65D 25/52  
See application file for complete search history.

(56) **References Cited**

**U.S. PATENT DOCUMENTS**

D199,416 S \* 10/1964 Katz ..... D21/616  
D215,868 S \* 11/1969 Frank ..... D7/516  
D265,152 S \* 6/1982 Bruno ..... D6/525  
D437,192 S \* 2/2001 Verherbrugghen ..... D7/691  
7,302,715 B1 \* 12/2007 Finell ..... A47K 1/09  
4/559  
D624,341 S \* 9/2010 Noren ..... D6/525  
D625,129 S \* 10/2010 Zack ..... D6/524  
7,908,683 B1 \* 3/2011 Finell ..... A47K 1/09  
4/559

(Continued)

**OTHER PUBLICATIONS**

Skip Hop Moby Bath Scoop, available Mar. 31, 2017, [online], [site visited Aug. 29, 2017]. Available from internet, <URL: https://www.amazon.com/Skip-Hop-Scoop-Splash-Organizer/product-reviews/B01M8MNOSB/ref=cm\_cr\_ar\_p\_d\_paging\_btm\_2?ie=UTF8&reviewerType=avp\_only\_reviews&sortBy=recent&pageNumber=2 (Year: 2017).\*

(Continued)

*Primary Examiner* — Cathron C Brooks  
*Assistant Examiner* — W. A. Teddy Falloway  
(74) *Attorney, Agent, or Firm* — Stephen J. Weyer, Esq.; Stites & Harbison, PLLC

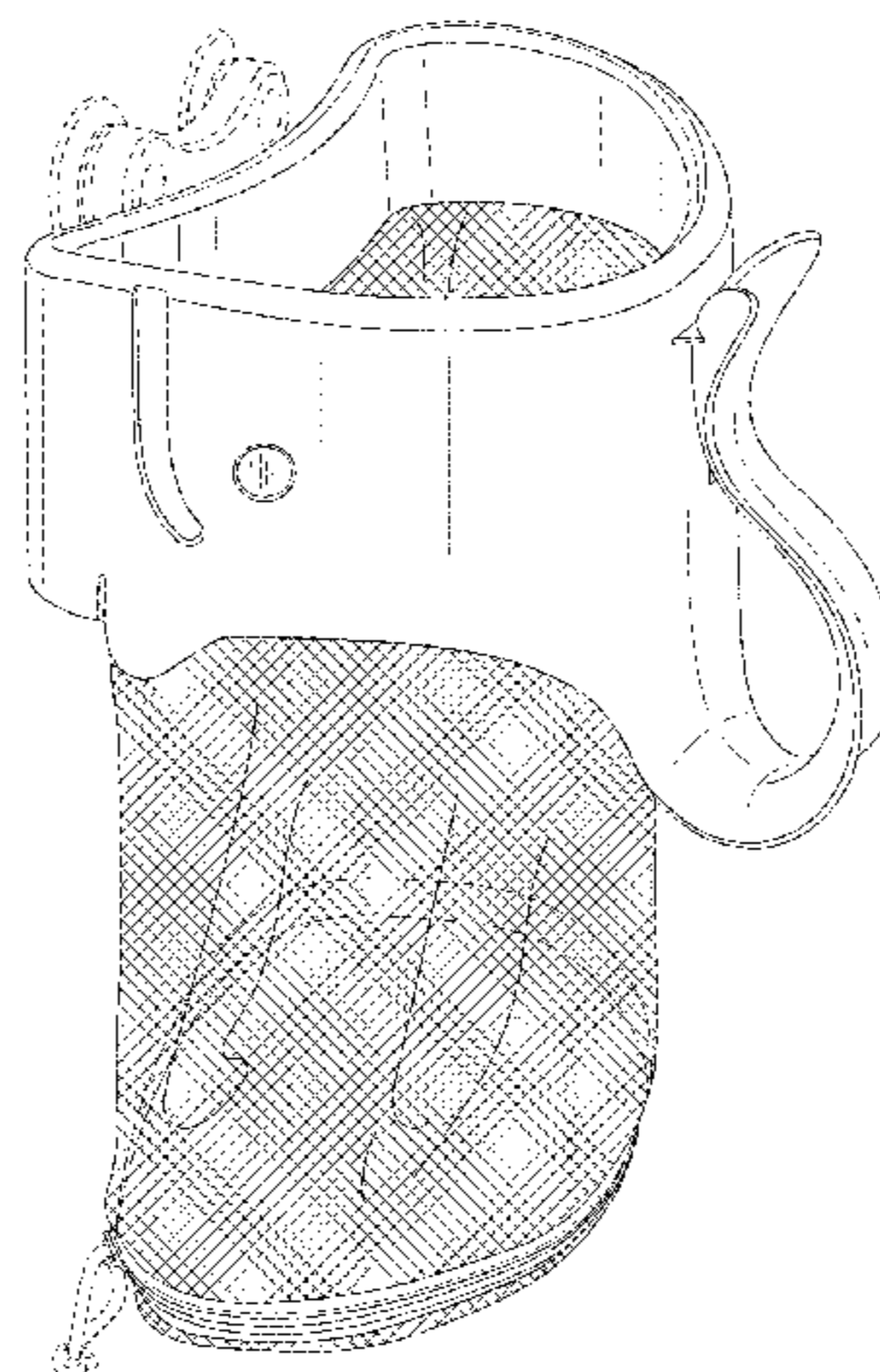
(57) **CLAIM**

The ornamental design for a device for holding bath toys, as shown and described.

**DESCRIPTION**

FIG. 1 is a perspective view taken from the top, front, and left side of a device for holding bath toys in accordance with the present invention.  
FIG. 2 is a front elevational view thereof.  
FIG. 3 is a rear view thereof.  
FIG. 4 is a right elevational view thereof.  
FIG. 5 is a left elevational view thereof.  
FIG. 6 is a top view thereof.  
FIG. 7 is a bottom view thereof.  
FIG. 8 is an exploded perspective view thereof, shown with the mounting bracket removed for completeness of illustration; and,  
FIG. 9 is another rear view thereof, shown without the mounting bracket for completeness of illustration.  
The broken lines showing a mounting bracket and zipper pull represent environmental structure. All other broken lines represent portions of the device for holding bath toys. The broken lines form no part of the claimed design.

**1 Claim, 9 Drawing Sheets**



(56)

References Cited

U.S. PATENT DOCUMENTS

D647,701	S *	11/2011	Fort	.....	D3/315
D727,463	S *	4/2015	Hayes	.....	D23/212
2002/0043535	A1 *	4/2002	Immerman	.....	A47G 3/00 220/483
2004/0149783	A1 *	8/2004	McGinley	.....	A45D 19/02 222/465.1
2004/0155070	A1 *	8/2004	McGinley	.....	A45D 19/02 222/465.1
2009/0032551	A1 *	2/2009	McGinley	.....	A45D 19/02 222/129
2009/0045229	A1 *	2/2009	McGinley	.....	A45D 19/00 222/465.1
2011/0084038	A1 *	4/2011	Zack	.....	A47K 3/001 211/85.7
2015/0305470	A1 *	10/2015	Hayes	.....	A45D 19/00 222/465.1

OTHER PUBLICATIONS

Regalo Bath Toy Scoop, available Apr. 26, 2017, [online], [site visited Aug. 29, 2017]. Available from internet, <URL: [https://www.amazon.com/dp/B01NAZDY06/ref=psdc\\_330390011\\_t3\\_B01M8MNOSB](https://www.amazon.com/dp/B01NAZDY06/ref=psdc_330390011_t3_B01M8MNOSB) (Year: 2017).\*

Munchkin Super Scoop Bath Toy Organizer, available Jul. 26, 2015, [online], [site visited Aug. 29, 2017]. Available from internet, <URL: [https://www.amazon.com/Munchkin-Super-Scoop-Bath-Organizer/dp/B00RQ83FGU/ref=pd\\_sbs\\_75\\_1?\\_encoding=UTF8&psc=1&refRID=EC3GABKR8MMNE0EREX23](https://www.amazon.com/Munchkin-Super-Scoop-Bath-Organizer/dp/B00RQ83FGU/ref=pd_sbs_75_1?_encoding=UTF8&psc=1&refRID=EC3GABKR8MMNE0EREX23) (Year: 2015).\*

Skip Hop Moby Bath Rinser, available Jan. 24, 2014, [online], [site visited Aug. 29, 2017]. Available from internet, <URL: [https://www.amazon.com/Skip-Hop-Tear-Free-Waterfall-Rinser/dp/B00FXR5S20/ref=pd\\_sim\\_75\\_8?\\_encoding=UTF8&psc=1&refRID=V0RR4ZD128Z8EWX7XJS0](https://www.amazon.com/Skip-Hop-Tear-Free-Waterfall-Rinser/dp/B00FXR5S20/ref=pd_sim_75_8?_encoding=UTF8&psc=1&refRID=V0RR4ZD128Z8EWX7XJS0) (Year: 2014).\*

\* cited by examiner

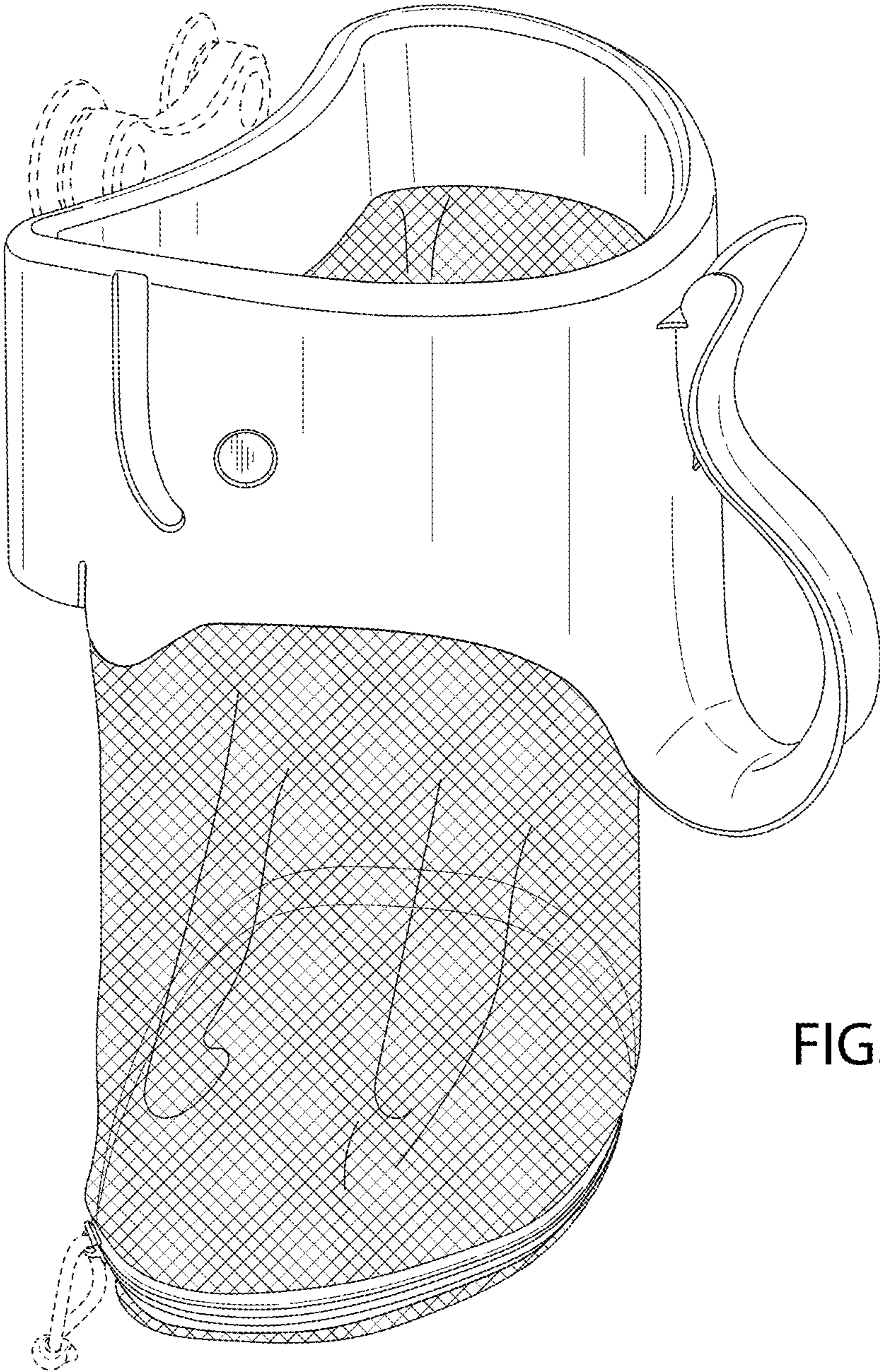


FIG. 1

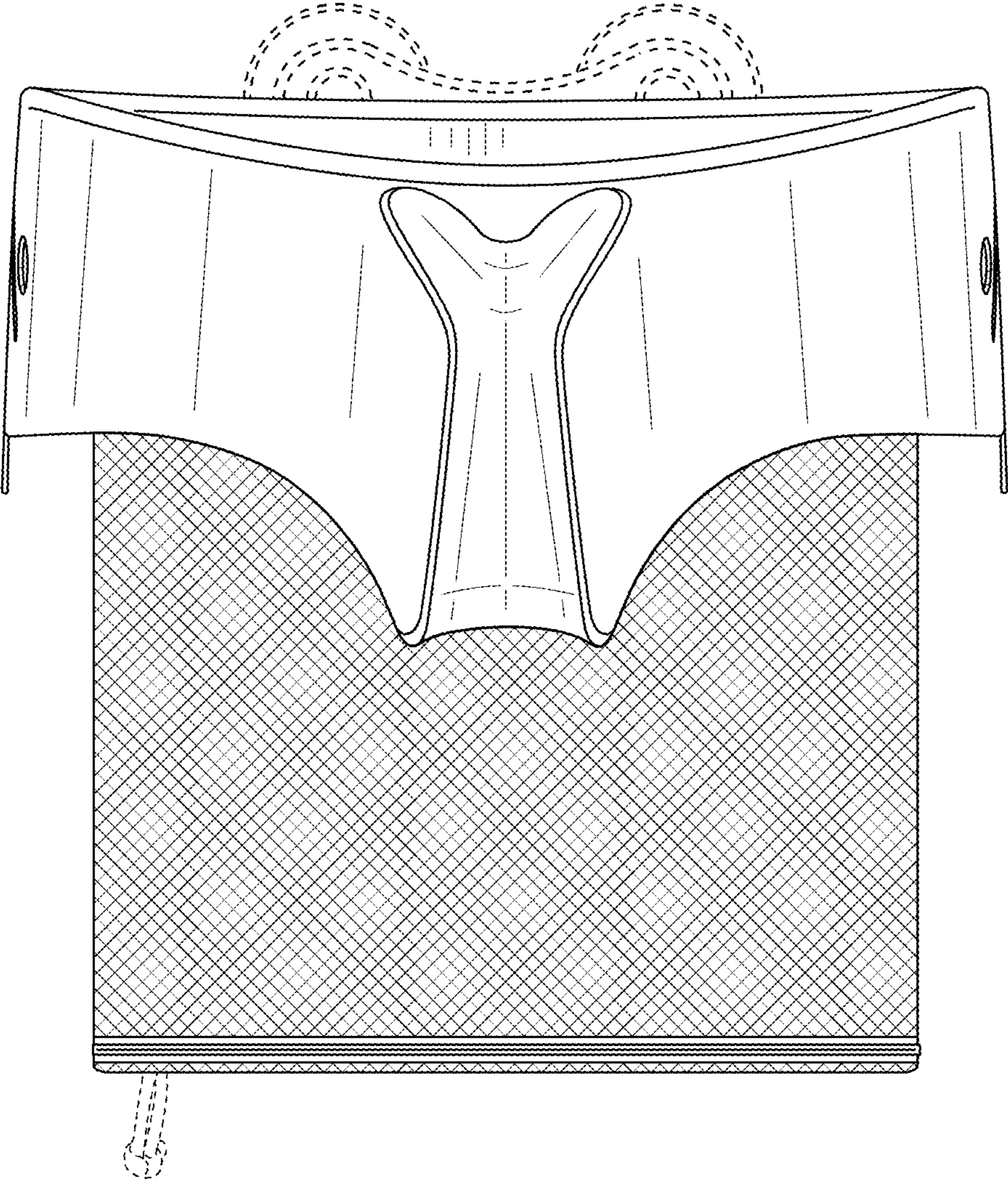


FIG. 2

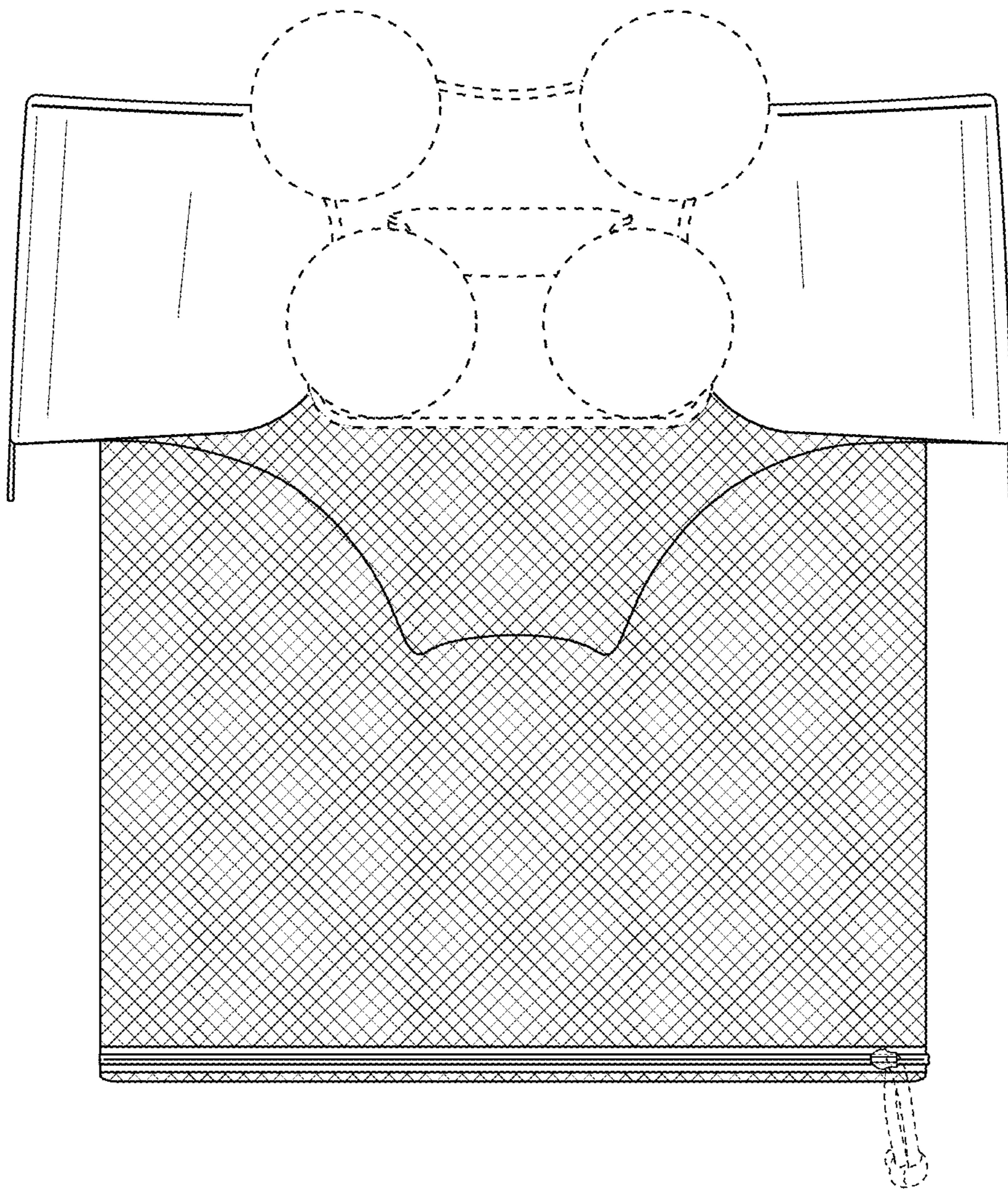


FIG. 3

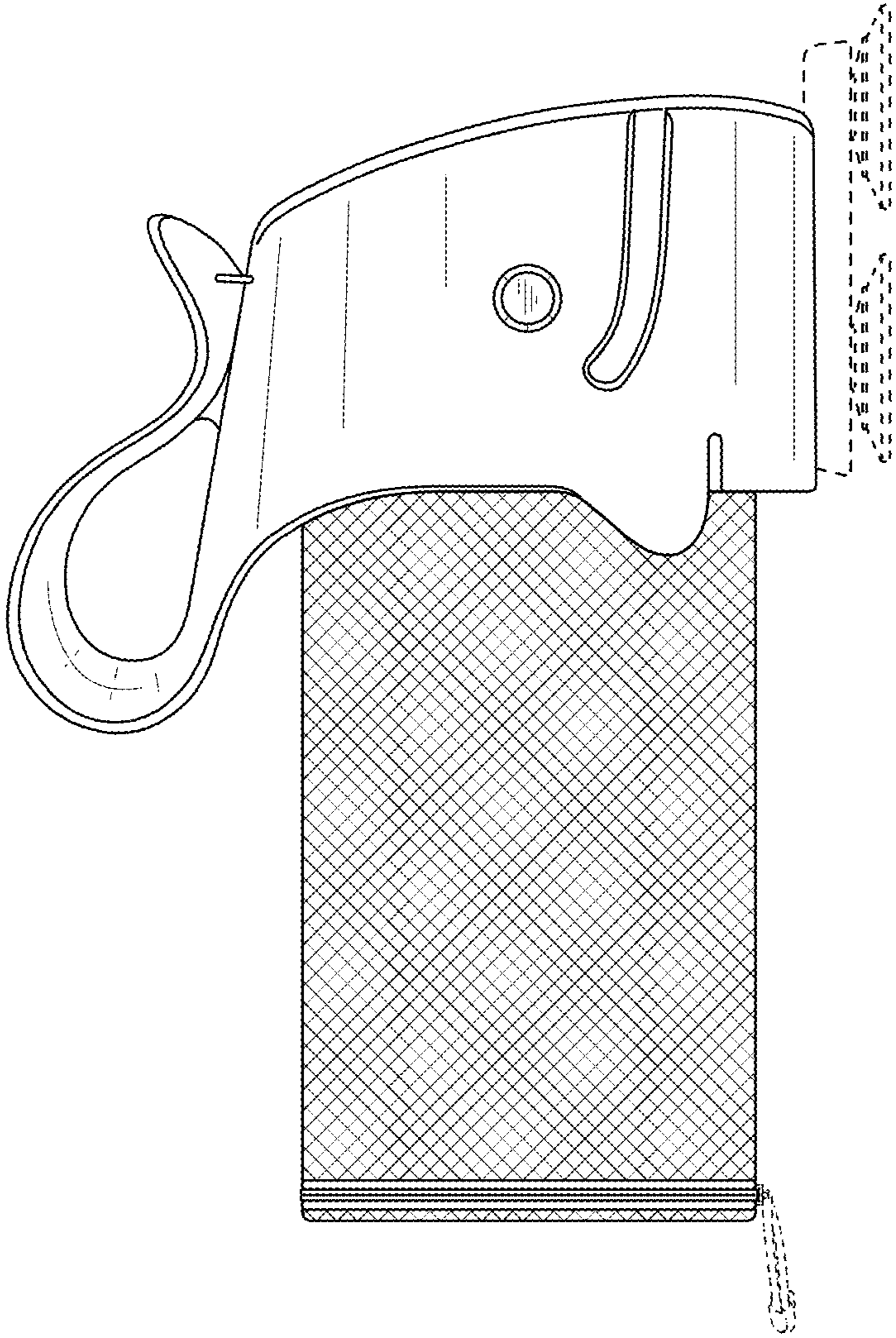


FIG. 4

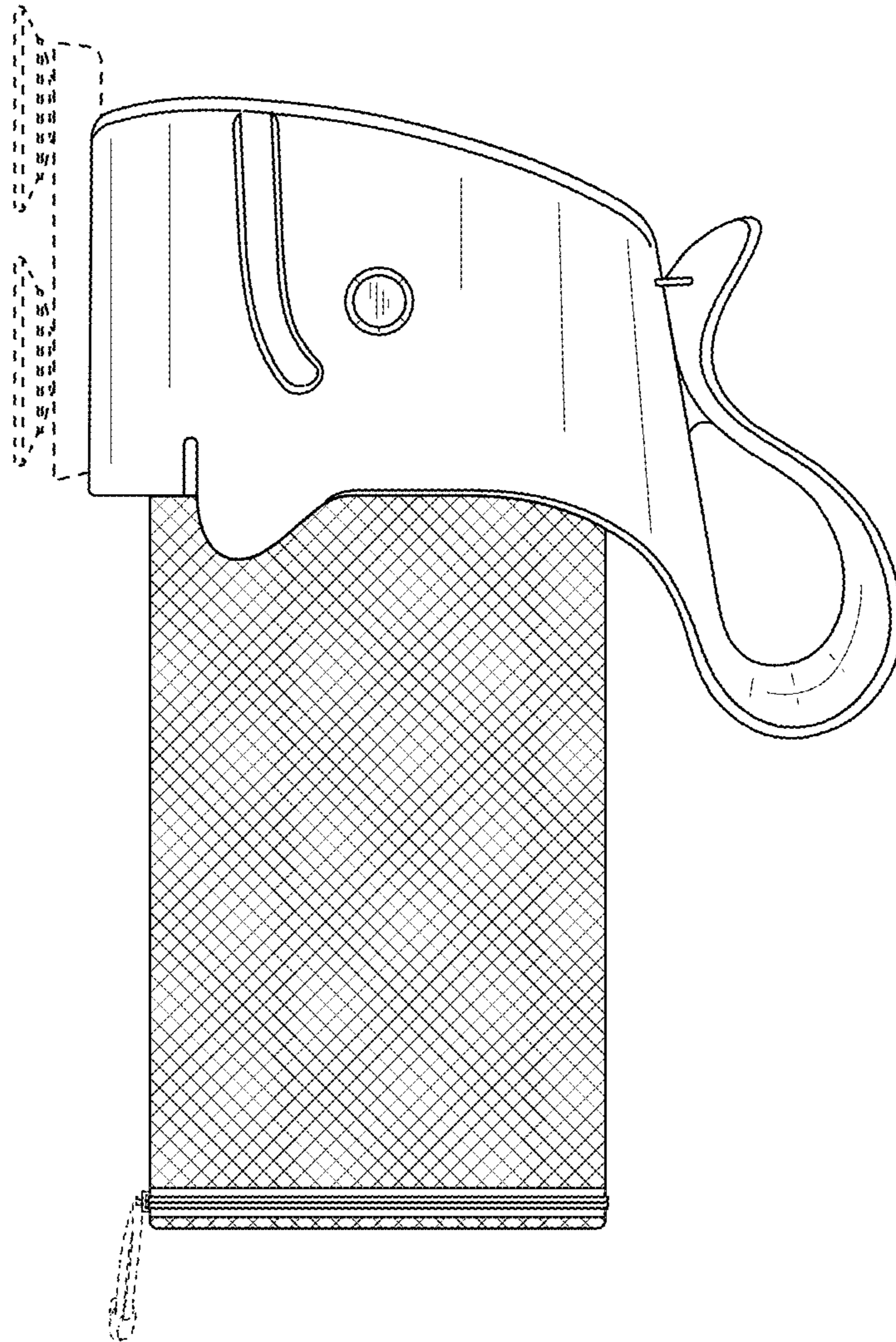


FIG. 5

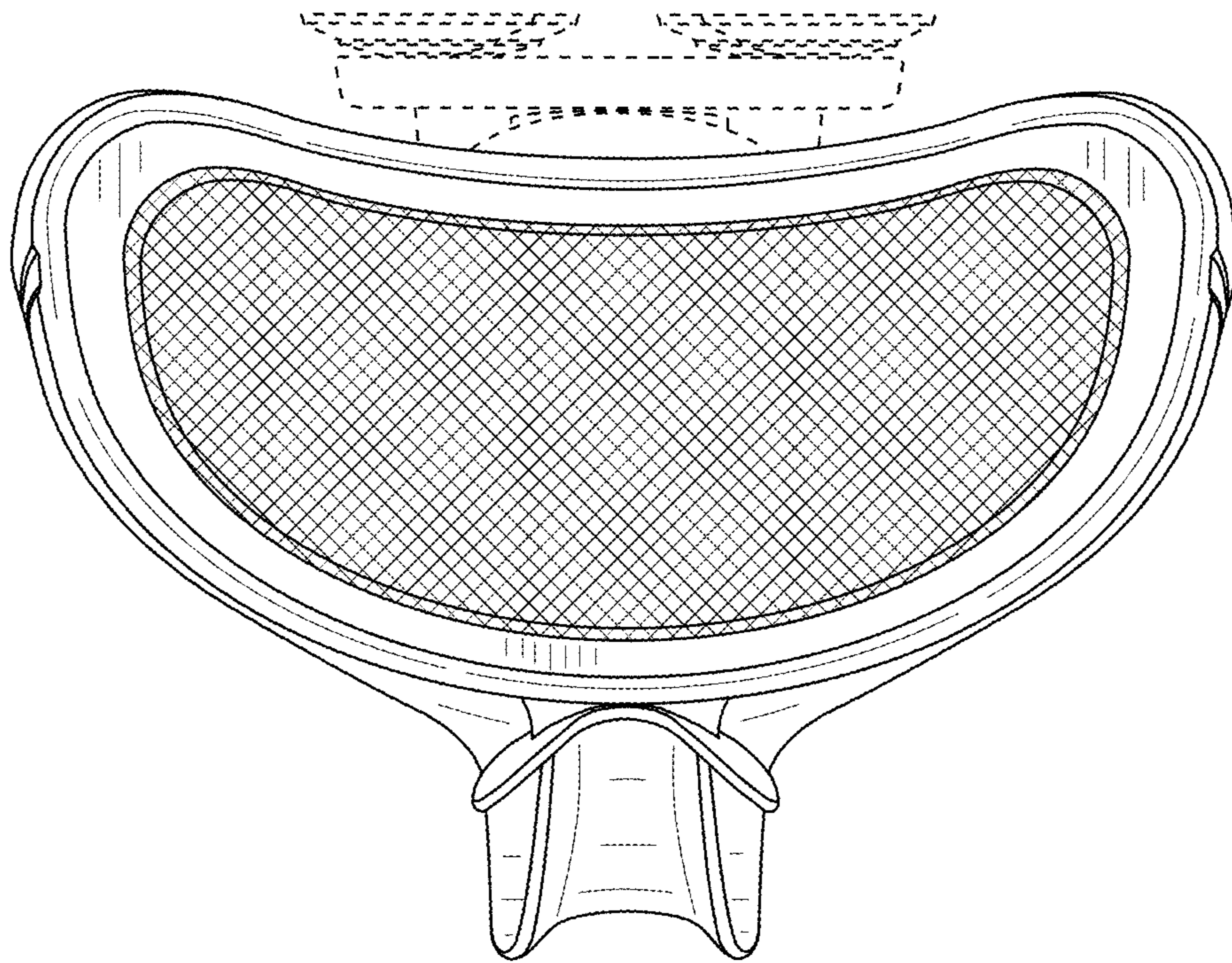


FIG. 6



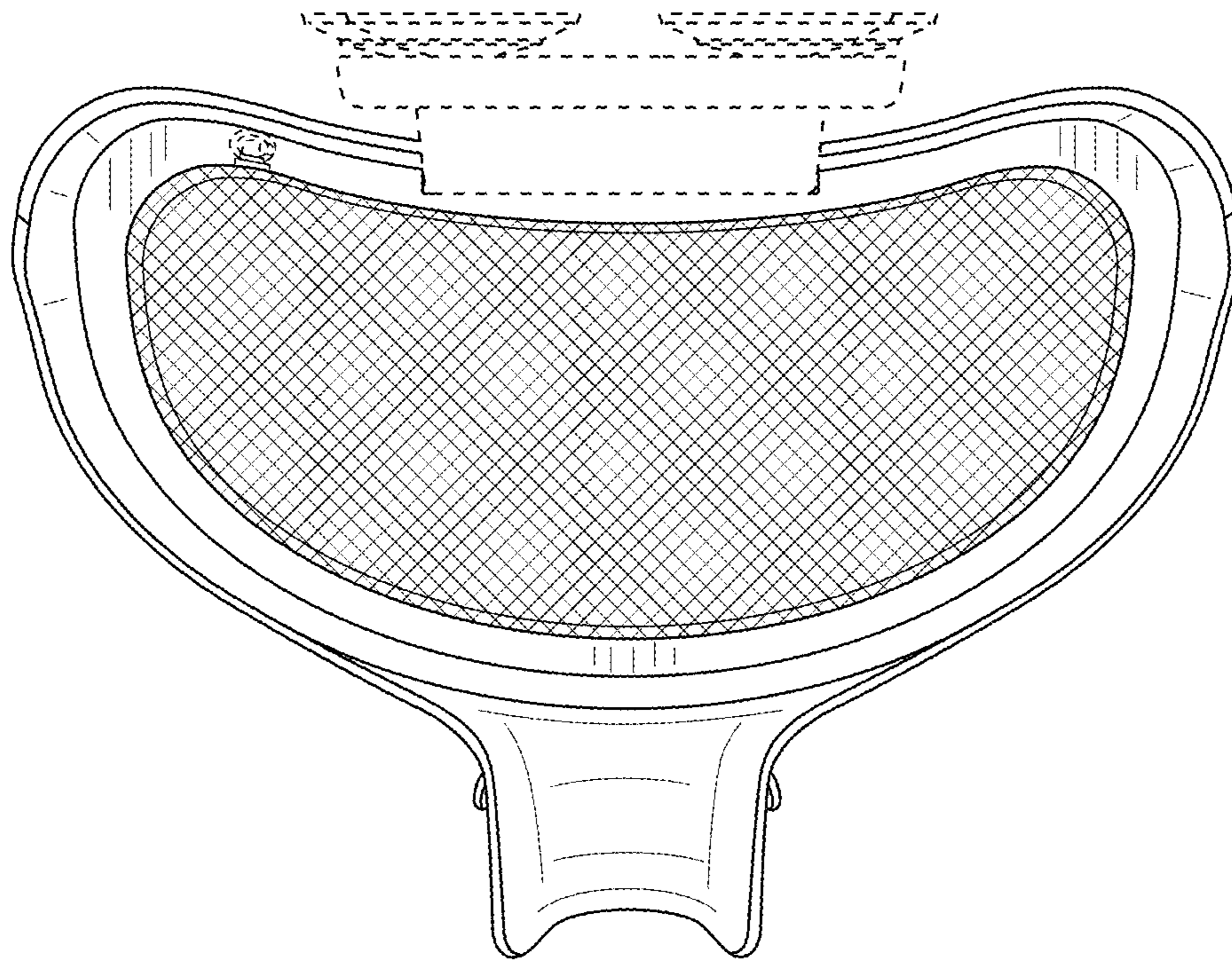


FIG. 7

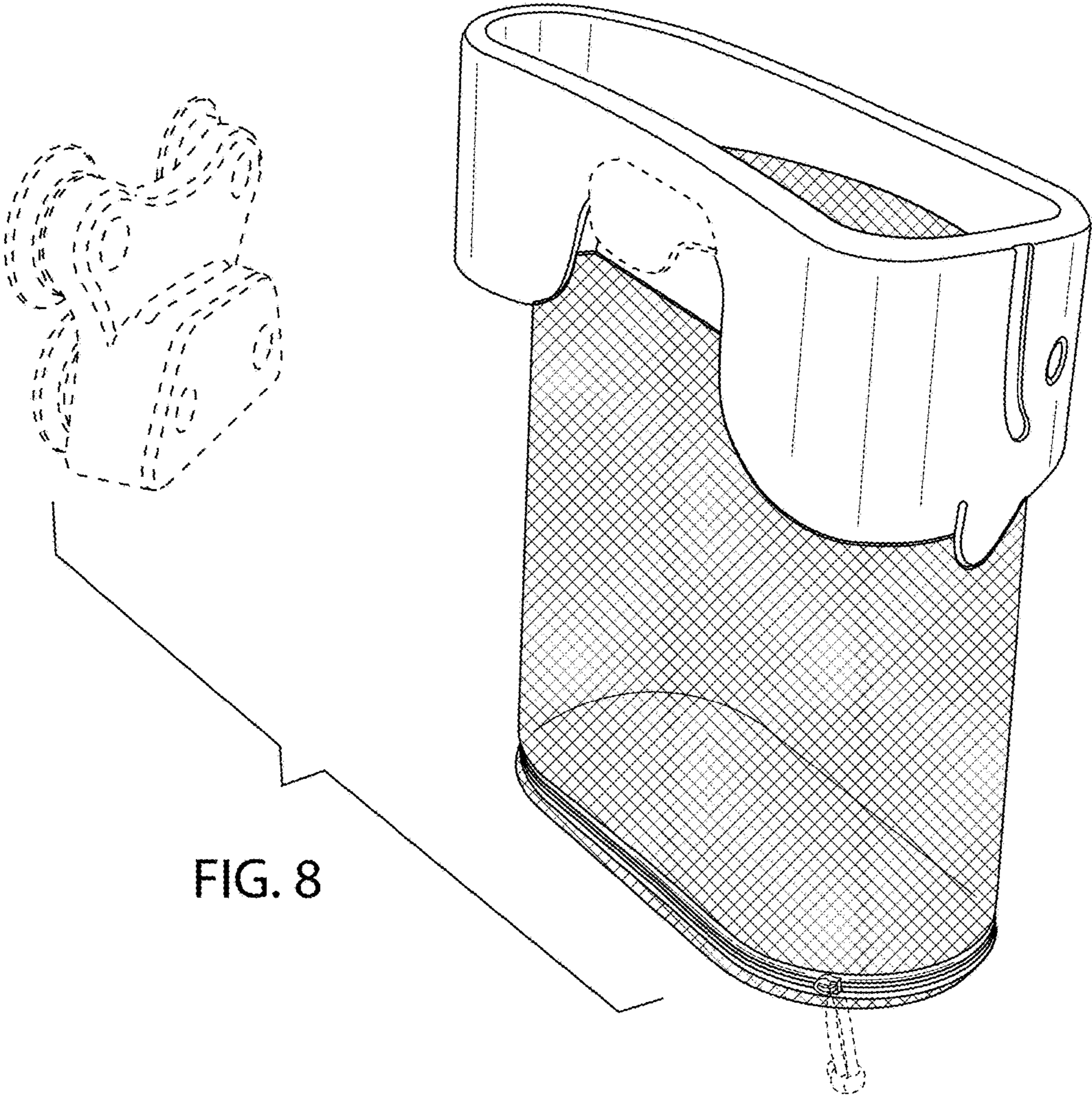


FIG. 8

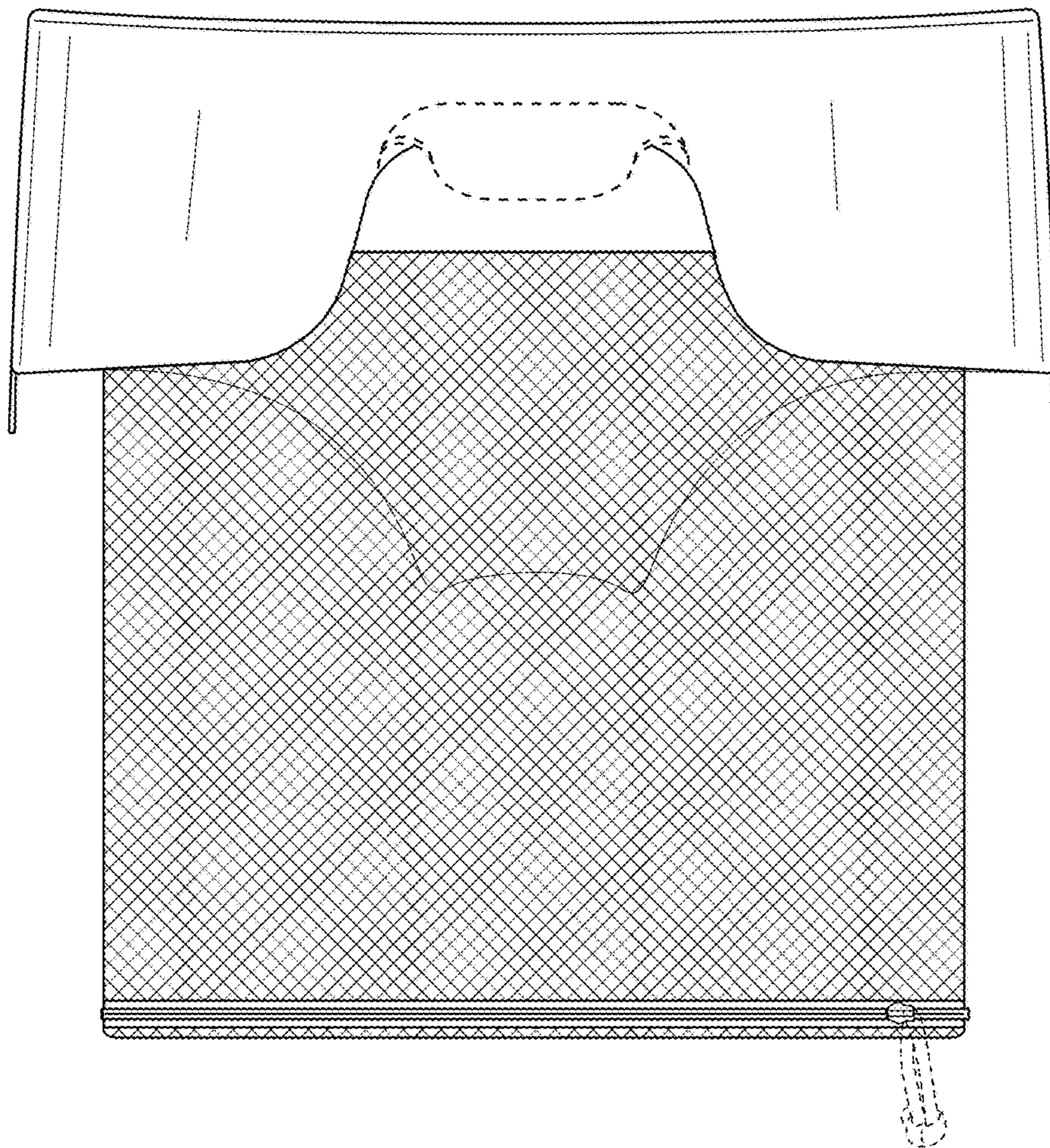


FIG. 9