



US00D816329S

(12) **United States Design Patent** (10) **Patent No.:** **US D816,329 S**  
**Zeller** (45) **Date of Patent:** **\*\* May 1, 2018**

(54) **HANDBAG**  
(71) Applicant: **DELVAUX CREATEUR SA**, Brussels (BE)  
(72) Inventor: **Christina Zeller**, Saint-Gilles (BE)  
(73) Assignee: **DELVAUX CREATEUR SA**, Brussels (BE)  
(\*\*) Term: **15 Years**  
(21) Appl. No.: **35/501,311**  
(22) Filed: **Jul. 13, 2016**

D332,006 S \* 12/1992 Ross ..... D3/243  
D583,552 S \* 12/2008 Stulman ..... D3/232  
D632,889 S \* 2/2011 Jobert ..... D3/243  
D688,450 S \* 8/2013 Philo ..... D3/243  
D726,410 S \* 4/2015 Fusi ..... D3/243  
D728,929 S \* 5/2015 Dumas ..... D3/243  
D731,177 S \* 6/2015 Cardenas ..... D3/233  
D756,636 S \* 5/2016 Hannon ..... D3/243  
D758,723 S \* 6/2016 Stulman ..... D3/246  
D761,016 S \* 7/2016 Barina ..... D3/243  
D770,176 S \* 11/2016 Guyon ..... D3/243  
D773,811 S \* 12/2016 Hardy ..... D3/243  
D775,822 S \* 1/2017 Dumas ..... D3/243  
D779,820 S \* 2/2017 Fusi ..... D3/245  
D787,178 S \* 5/2017 Maier ..... D3/232  
D787,820 S \* 5/2017 Nair ..... D3/243  
D789,684 S \* 6/2017 Michele ..... D3/232

(80) **Hague Agreement Data**  
Int. Filing Date: **Jul. 13, 2016**  
Int. Reg. No.: **DM/091773**  
Int. Reg. Date: **Jul. 13, 2016**  
Int. Reg. Pub. Date: **Jul. 29, 2016**

\* cited by examiner

*Primary Examiner* — Holly E Thurman  
(74) *Attorney, Agent, or Firm* — Ladas & Parry LLP

(30) **Foreign Application Priority Data**  
Feb. 25, 2016 (EM) ..... 003001734-0003  
(51) **LOC (11) Cl.** ..... **03-01**  
(52) **U.S. Cl.**  
USPC ..... **D3/232**  
(58) **Field of Classification Search**  
USPC ..... D3/232-233, 240-243, 245-247,  
D3/249-253  
CPC ..... A45C 1/024; A45C 3/06  
See application file for complete search history.

(57) **CLAIM**

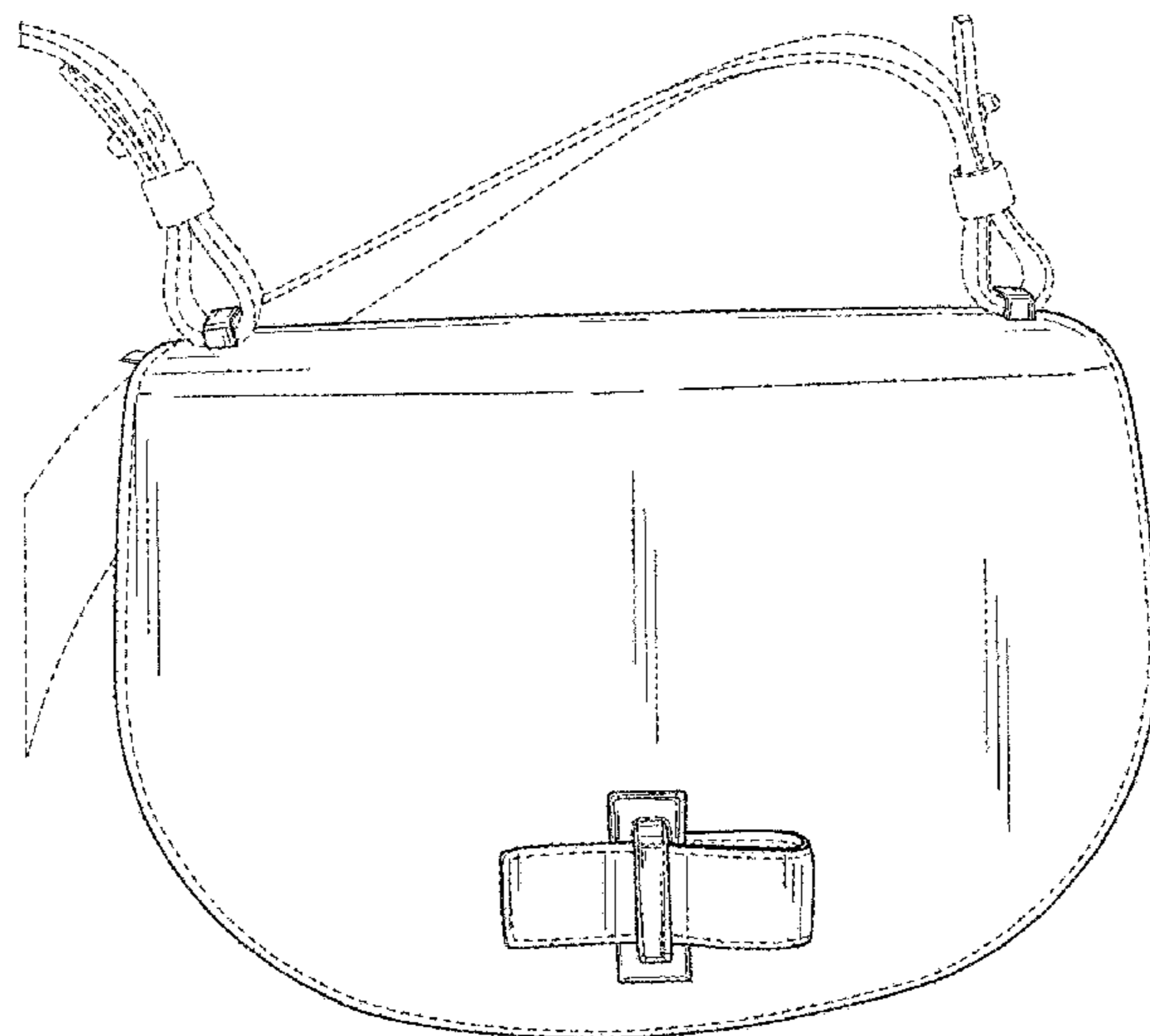
The ornamental design for a handbag, as shown and described.

**DESCRIPTION**

Figure 1.1 is a front view of the handbag embodying our new design;  
Figure 1.2 is a rear view thereof;  
Figure 1.3 is a right side view thereof; and  
Figure 1.4 is a bottom view thereof.  
The broken lines in the drawings depict a strap and forms no part of the claimed design. The broken lines along the perimeter of the handbag depicts decorative stitching and forms part of the claimed design.

(56) **References Cited**  
U.S. PATENT DOCUMENTS  
D147,487 S \* 9/1947 Bienen ..... 150/108  
D163,726 S \* 6/1951 Wiggin ..... 150/108

**1 Claim, 4 Drawing Sheets**



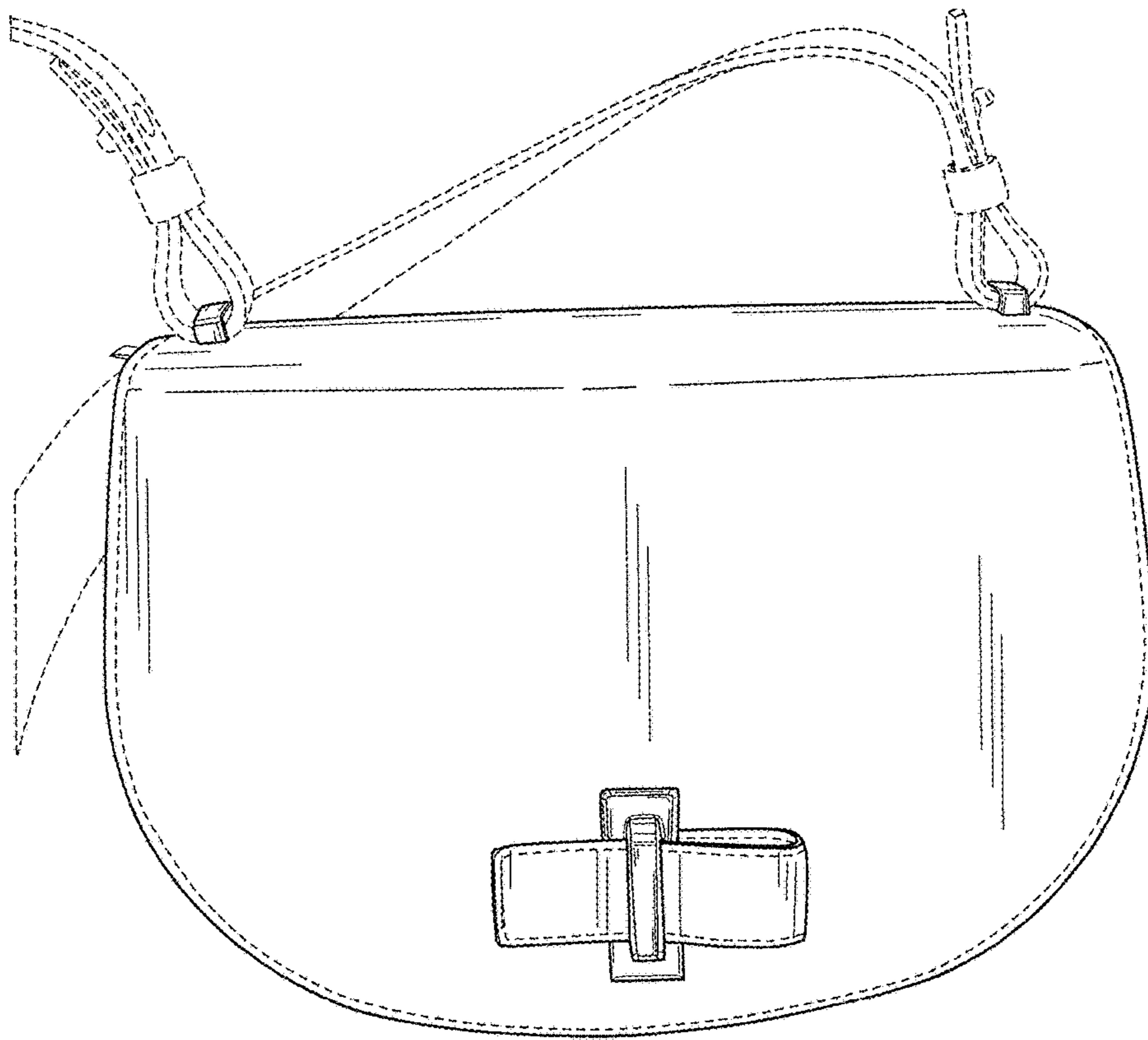


FIG. 1.1

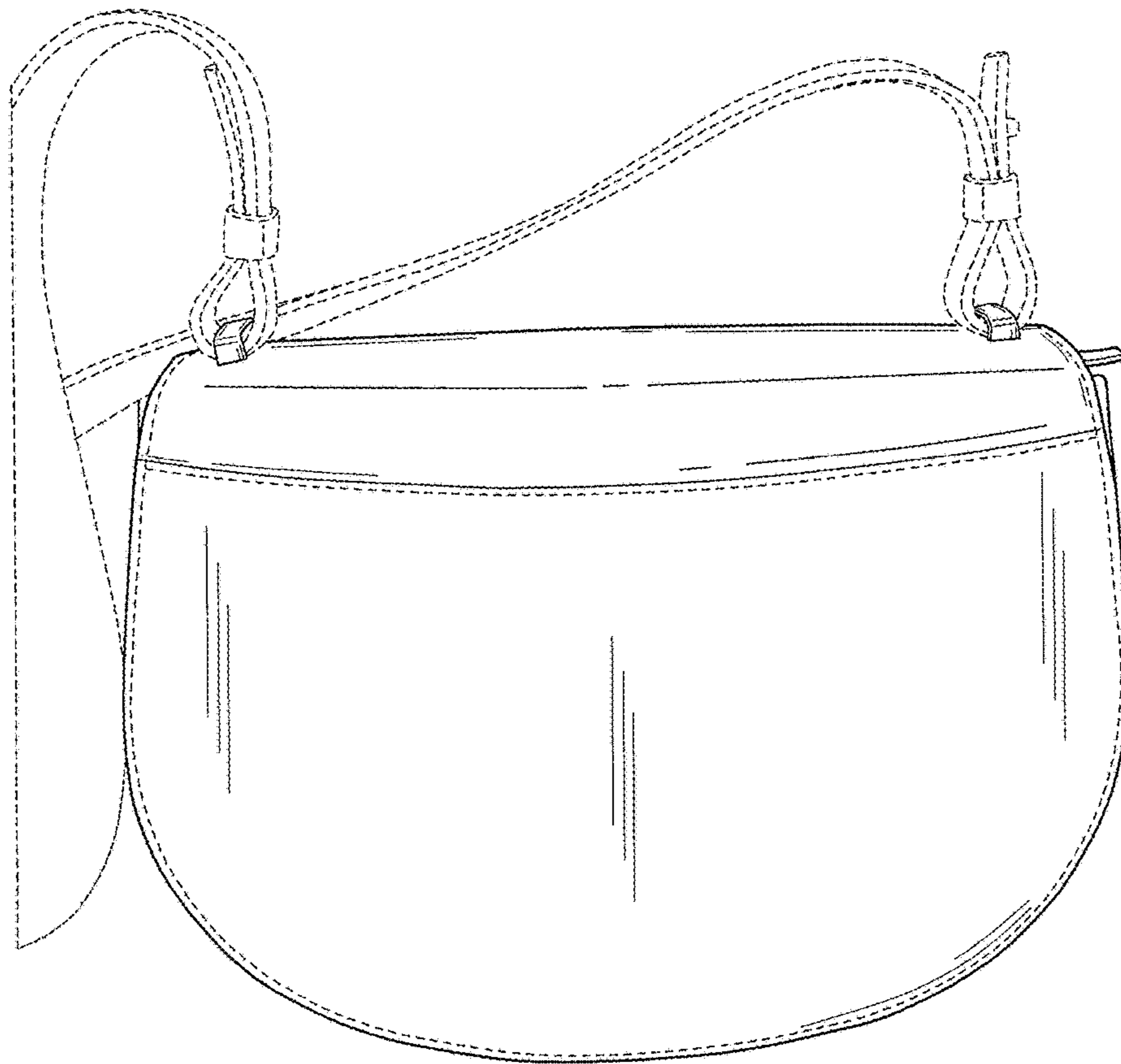


FIG. 1.2

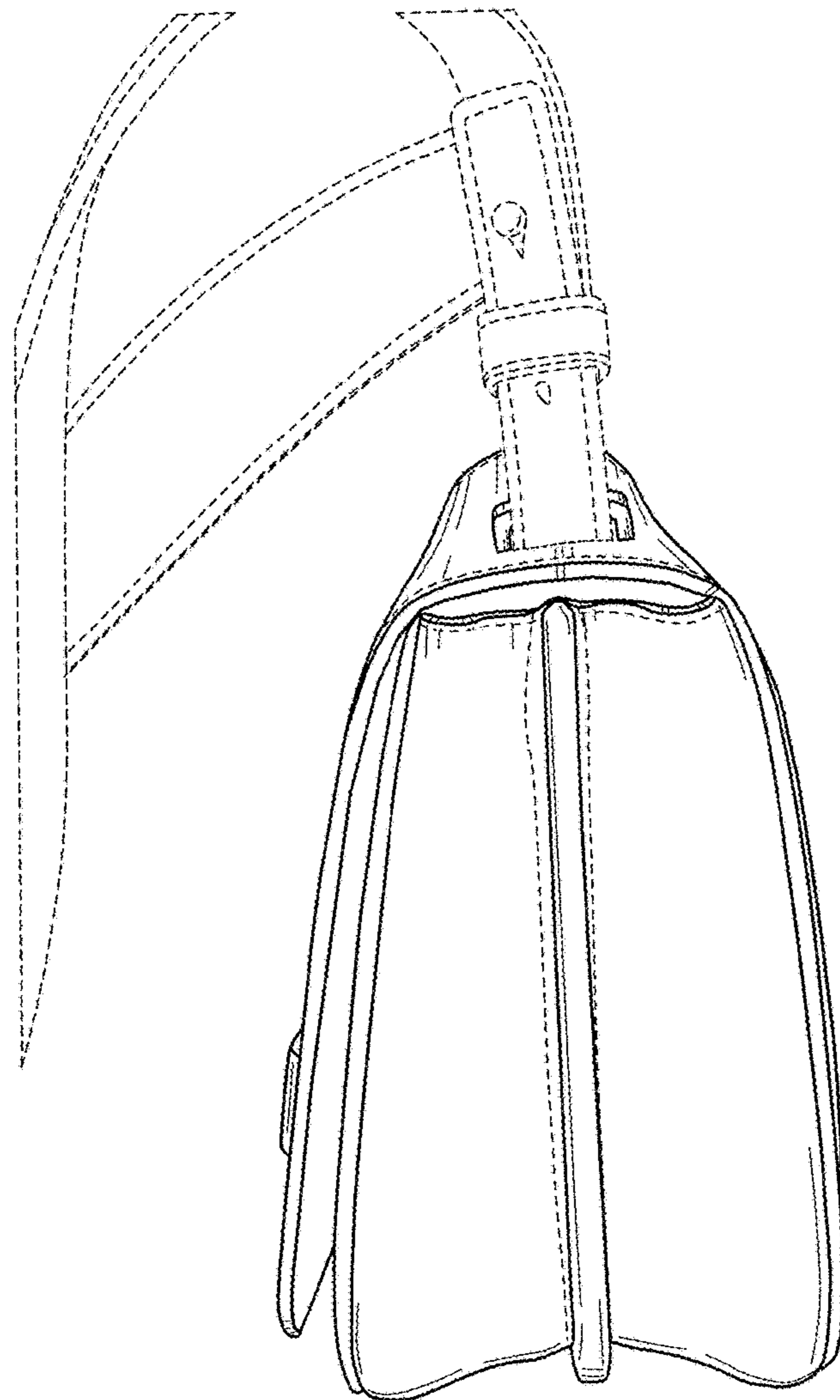


FIG. 1.3

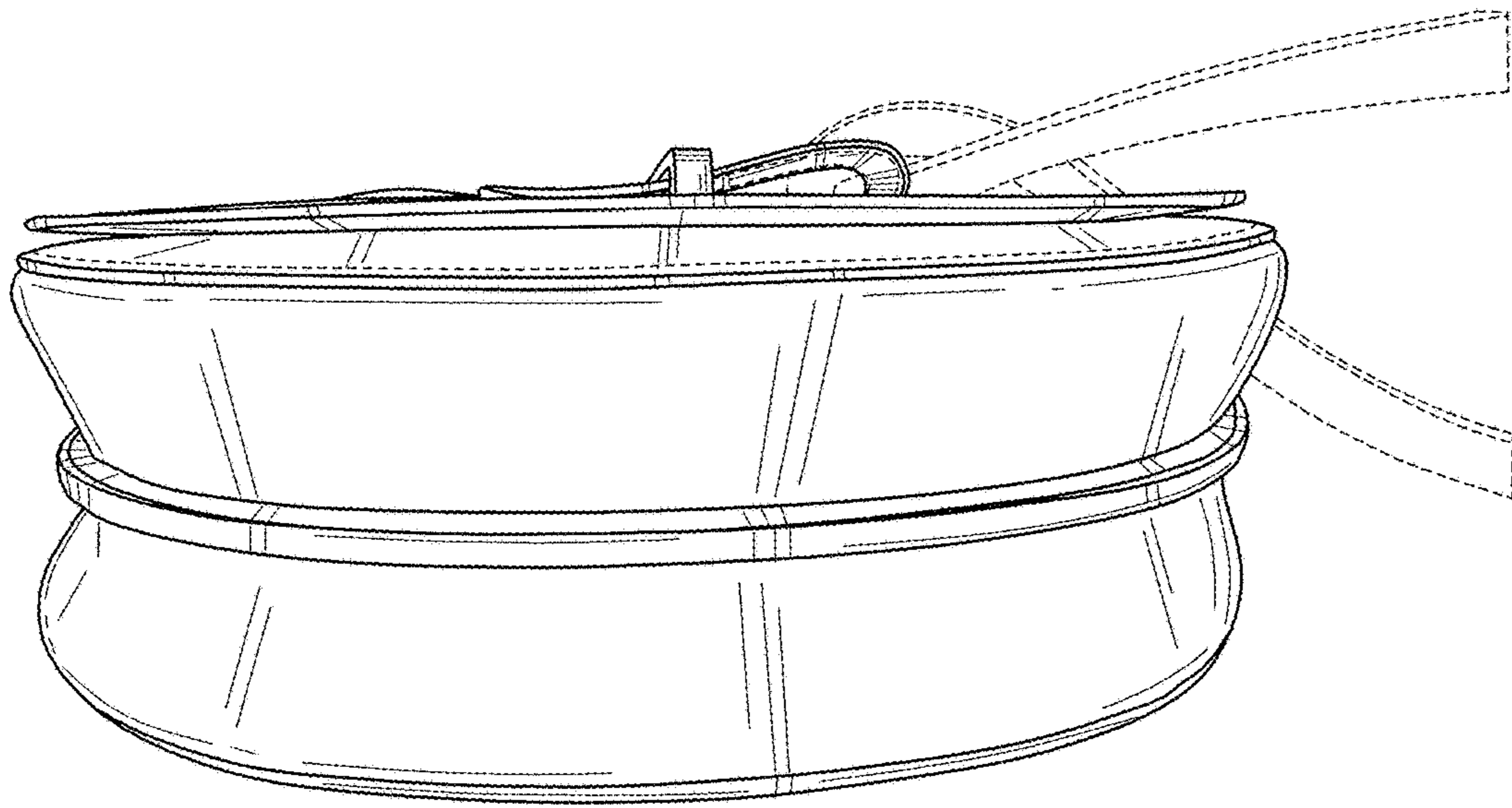


FIG. 1.4