



US00D816328S

(12) **United States Design Patent**  
**Votel et al.**

(10) **Patent No.:** **US D816,328 S**  
(45) **Date of Patent:** **\*\* May 1, 2018**

- (54) **HOLSTER FOR A DRILL**
- (71) Applicant: **Tenacious Holdings, Inc.**, St. Paul, MN (US)
- (72) Inventors: **Thomas Votel**, Sunfish Lake, MN (US); **Brent Velenchenko**, St. Paul, MN (US); **Nathan Bohmbach**, Lakeville, MN (US)
- (73) Assignee: **Tenacious Holdings, Inc.**, St. Paul, MN (US)
- (\*\*) Term: **15 Years**
- (21) Appl. No.: **29/593,729**
- (22) Filed: **Feb. 12, 2017**
- (51) **LOC (11) Cl.** ..... **03-01**
- (52) **U.S. Cl.**  
USPC ..... **D3/228**
- (58) **Field of Classification Search**  
USPC ..... D3/228, 224, 226, 215, 222-223; 224/240, 236, 245, 666, 901.4, 192, 662, 224/904, 680, 684  
CPC .... A45F 5/02; A45F 5/021; A45F 2200/0575; A45F 2200/0566; A45F 3/14; B25H 3/006  
See application file for complete search history.

- D455,901 S \* 4/2002 Snider ..... D3/228
- 6,561,402 B2 \* 5/2003 Holland ..... A45F 5/00 224/192
- 8,220,683 B2 \* 7/2012 Williams ..... A45F 3/14 224/662
- D779,818 S \* 2/2017 Kinsky ..... D3/228
- D795,570 S \* 8/2017 Lacroix ..... D3/228

\* cited by examiner

*Primary Examiner* — Catherine R Oliver-Garcia  
(74) *Attorney, Agent, or Firm* — Skaar Ulbrich Macari, P.A.

(57) **CLAIM**

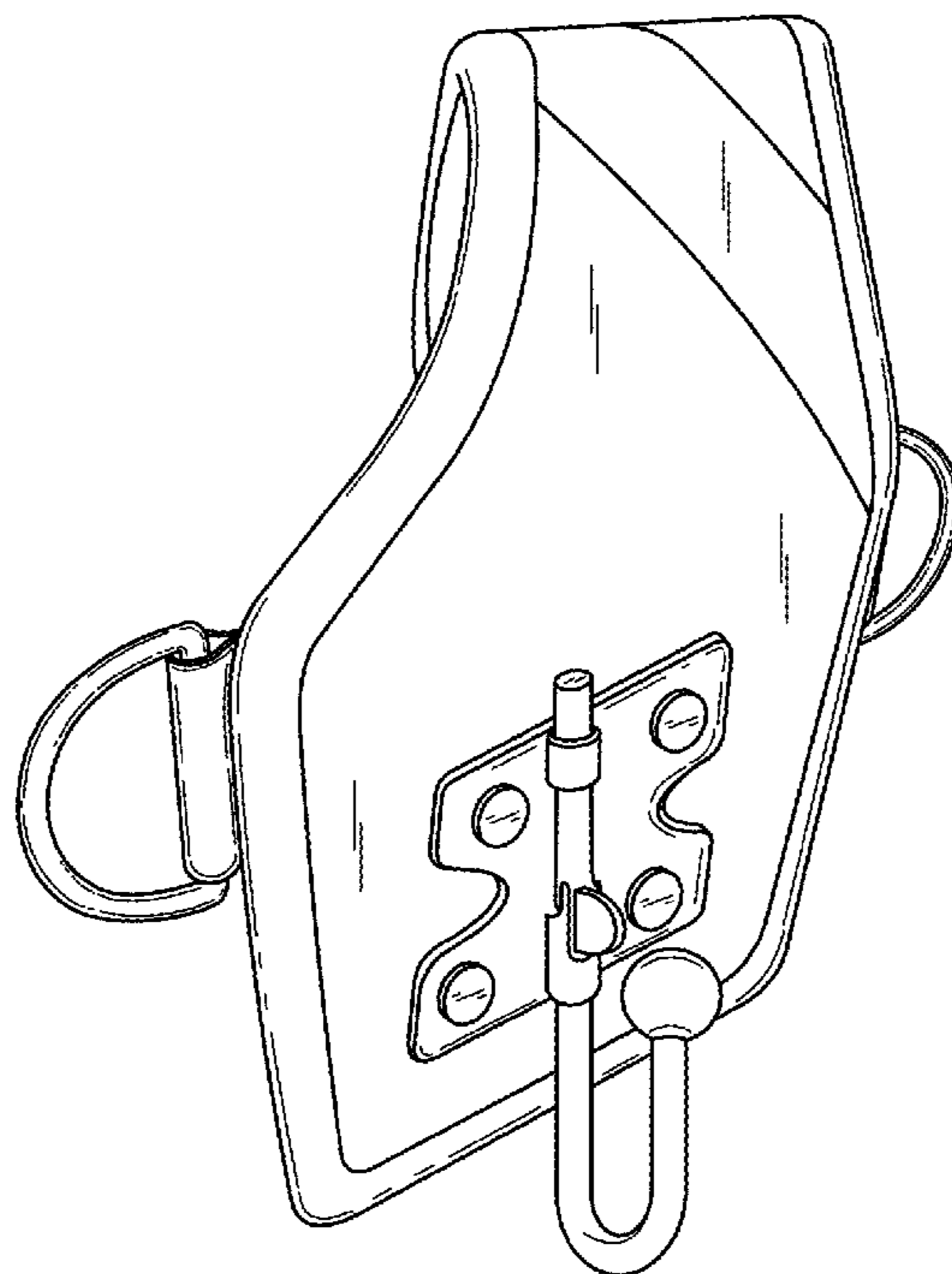
The ornamental design for a holster for a drill, as shown and described.

**DESCRIPTION**

FIG. 1 is a perspective view of a holster for a drill showing our new design;  
FIG. 2 is a front elevation view thereof;  
FIG. 3 is a front elevation view thereof with the belt loop extended;  
FIG. 4 is a rear elevation view thereof;  
FIG. 5 is a rear elevation view thereof with the belt loop extended;  
FIG. 6 is a left side elevation view thereof;  
FIG. 7 is a right side elevation view thereof;  
FIG. 8 is a bottom plan view thereof; and,  
FIG. 9 is a top plan view thereof.  
The broken lines in FIGS. 3, 4, 5, 6, 7 and 9 outlining a clasp, illustrate portions of a holster for a drill that form no part of the claimed invention.

- (56) **References Cited**  
U.S. PATENT DOCUMENTS  
D437,998 S \* 2/2001 Williamson ..... D3/228  
D448,556 S \* 10/2001 Snider ..... D3/228

**1 Claim, 9 Drawing Sheets**



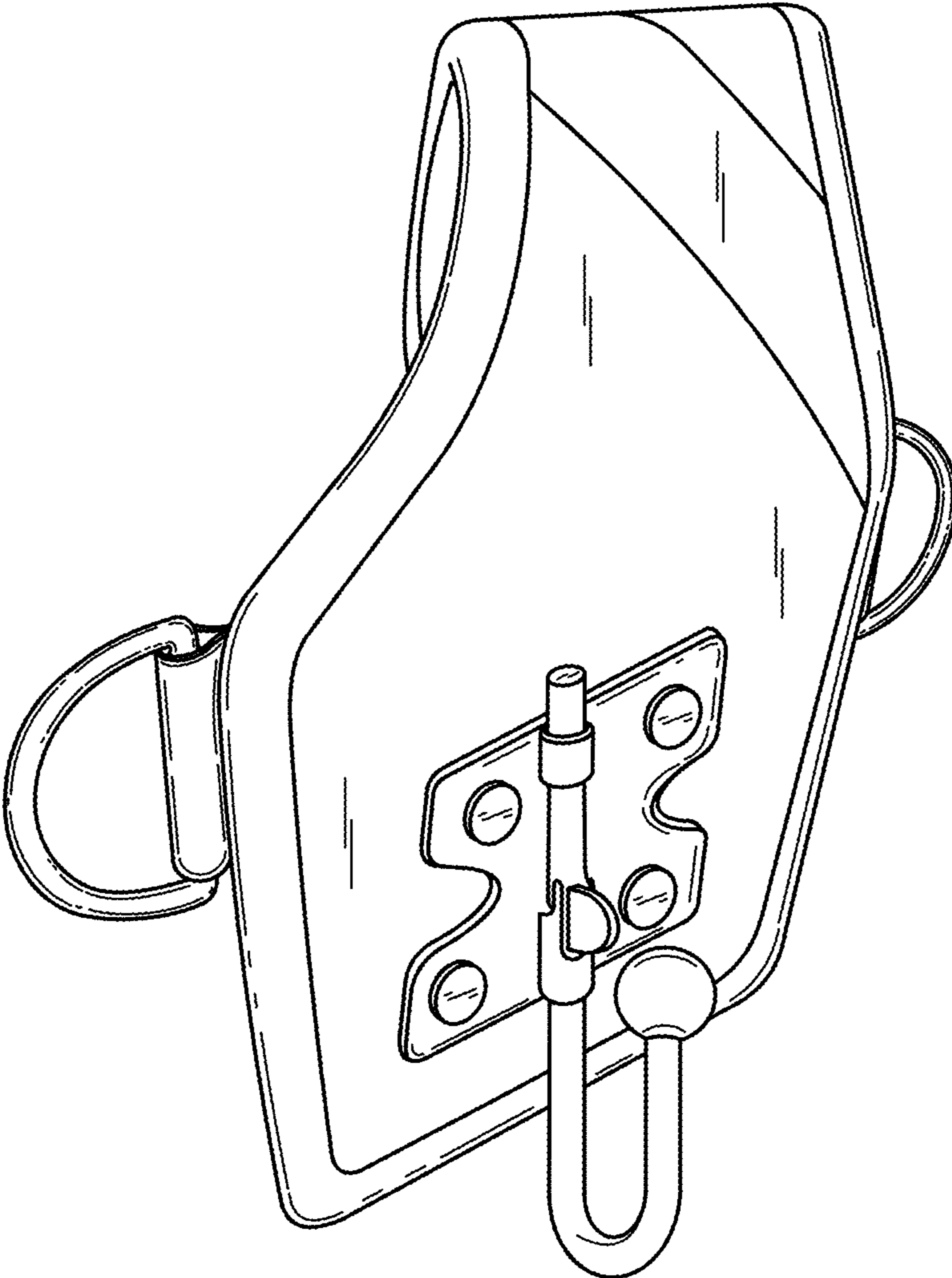


FIG. 1

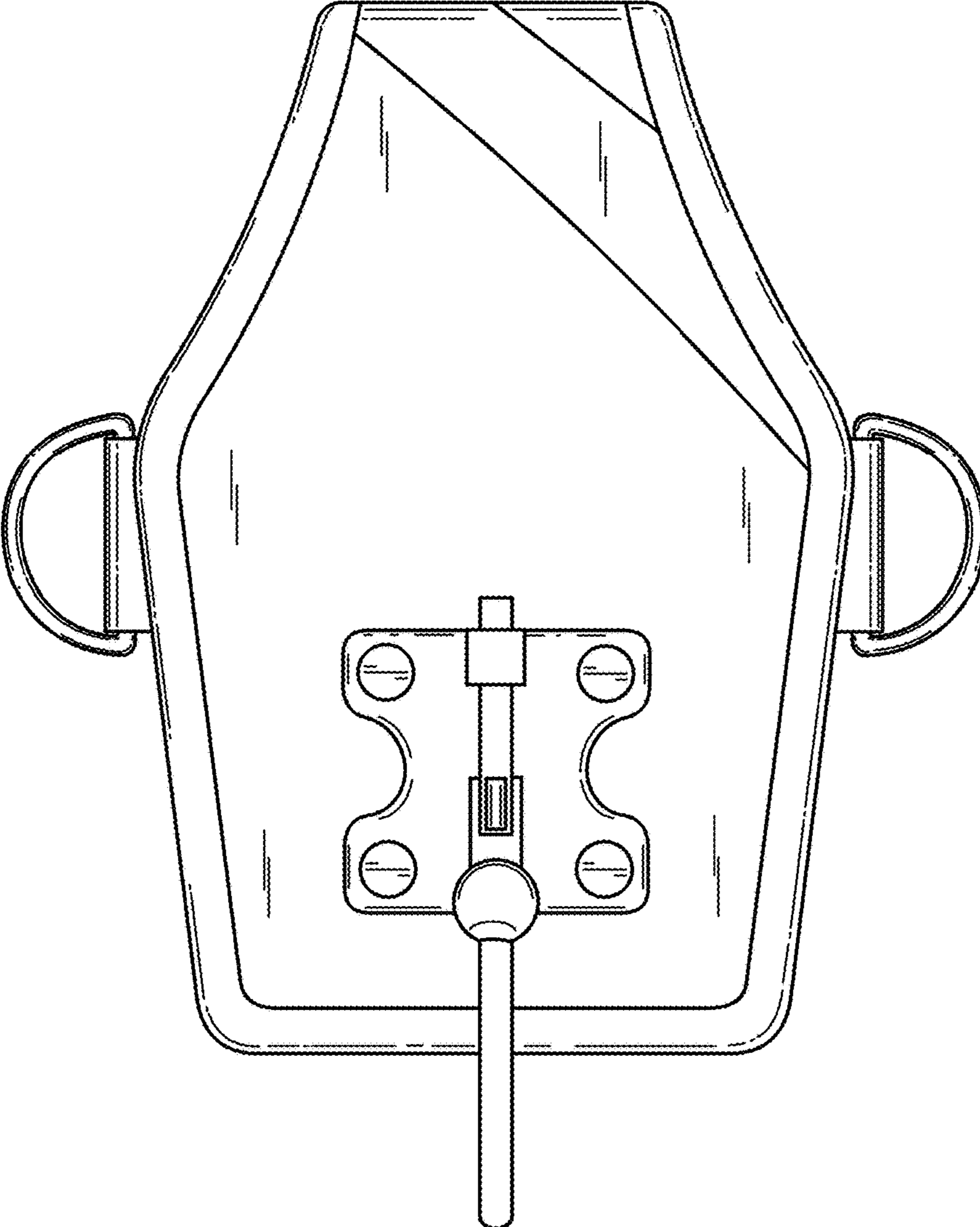


FIG. 2

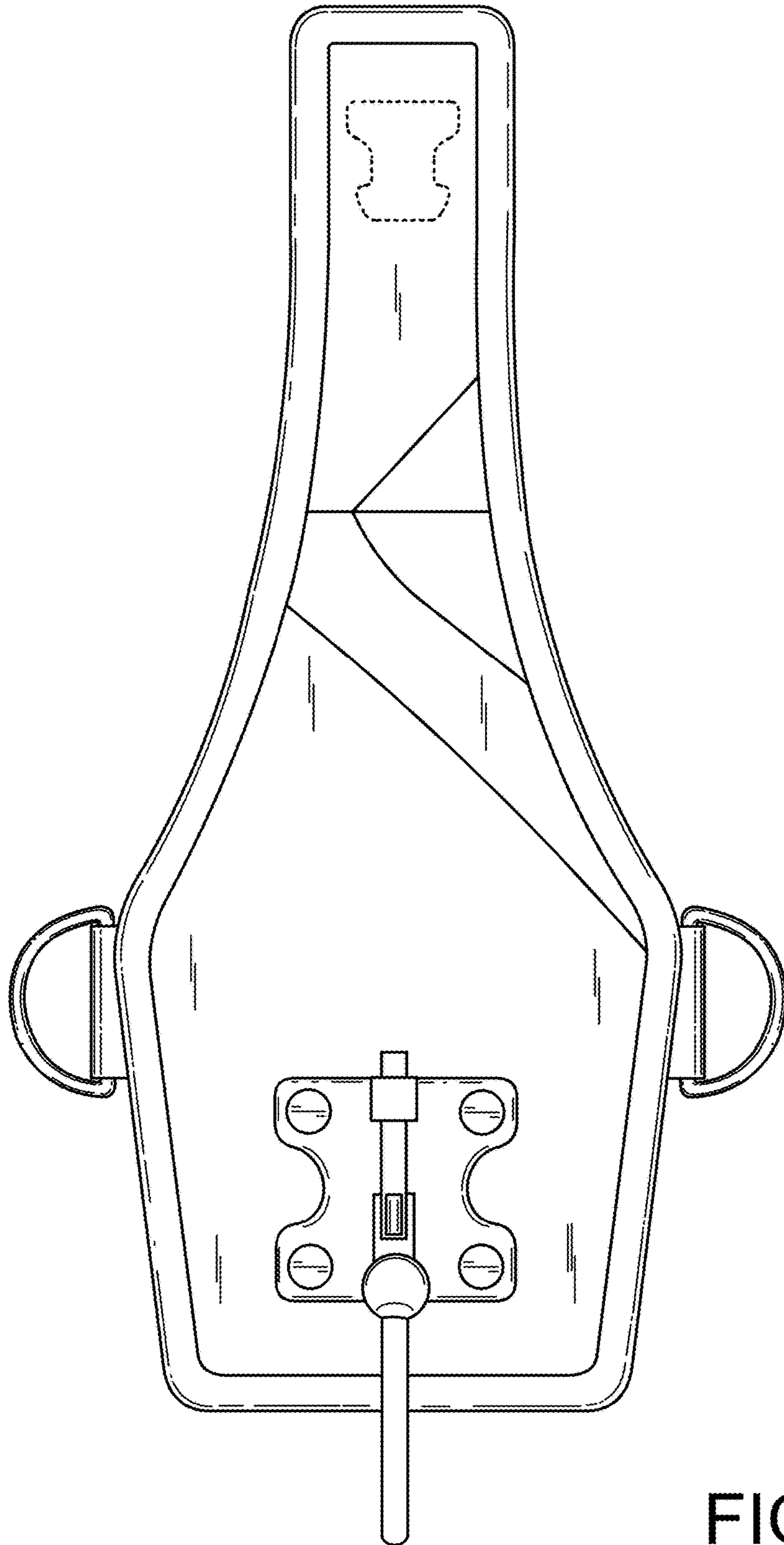


FIG. 3

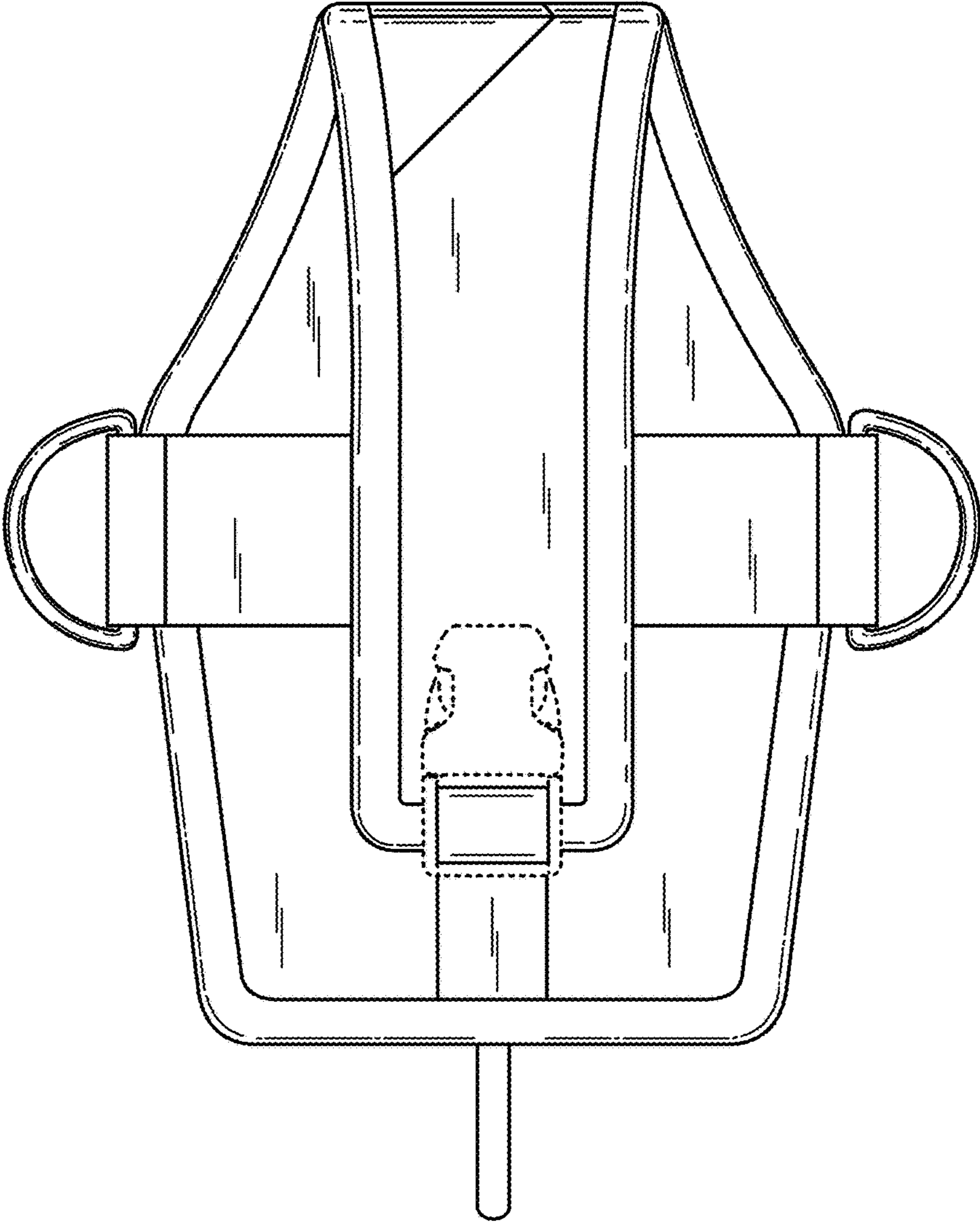


FIG. 4

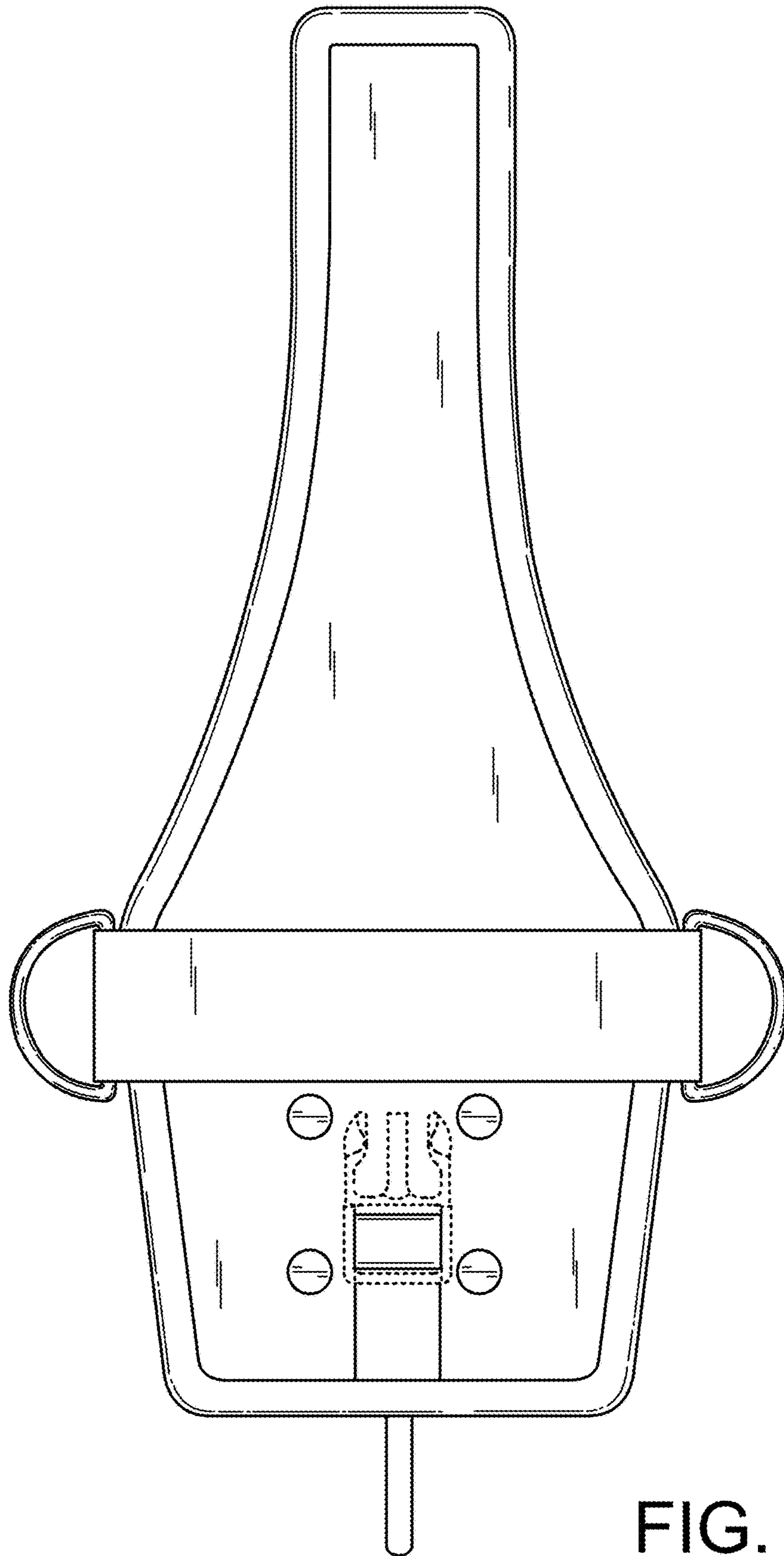


FIG. 5

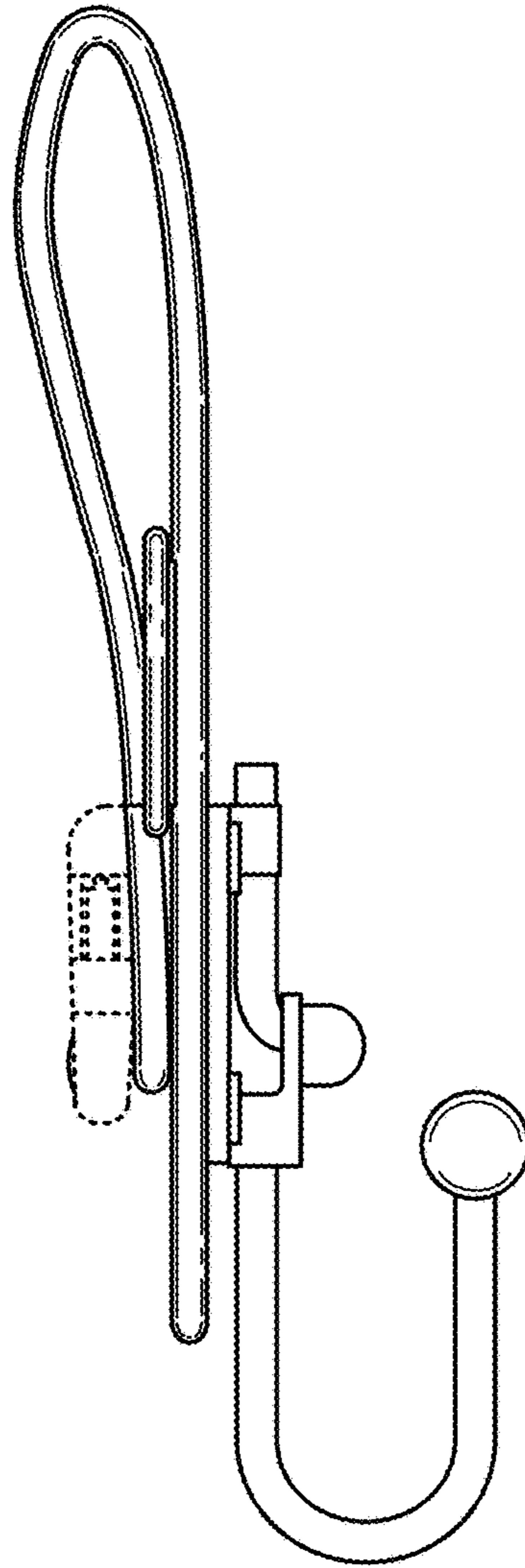


FIG. 6

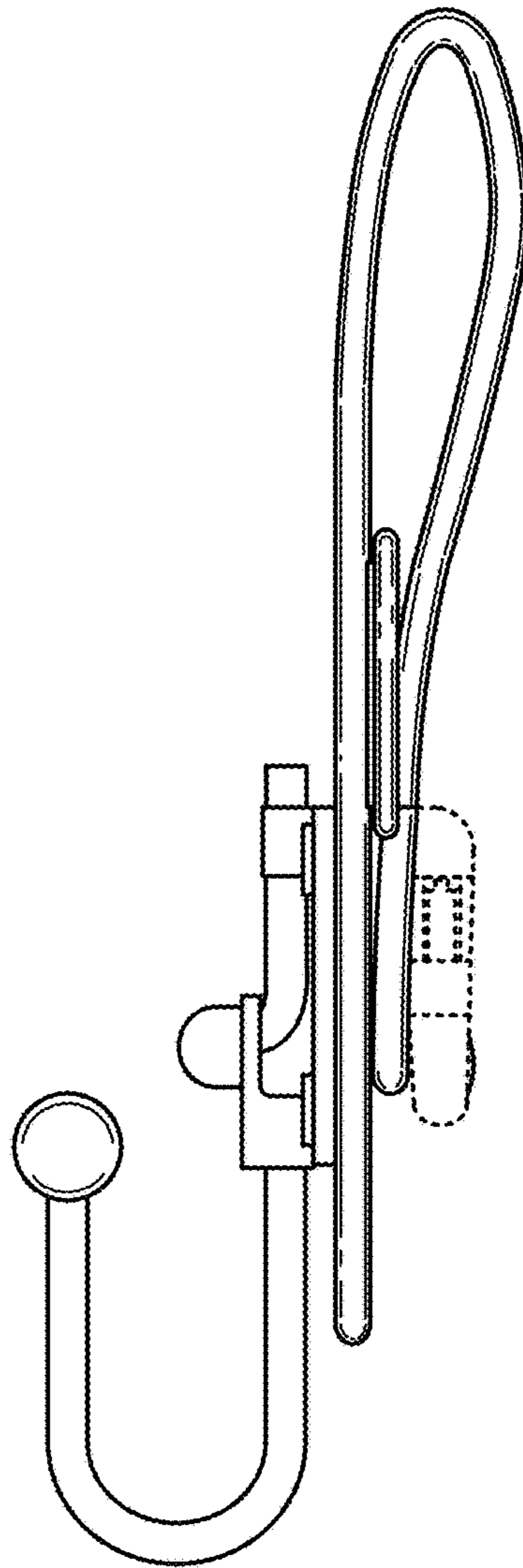


FIG. 7



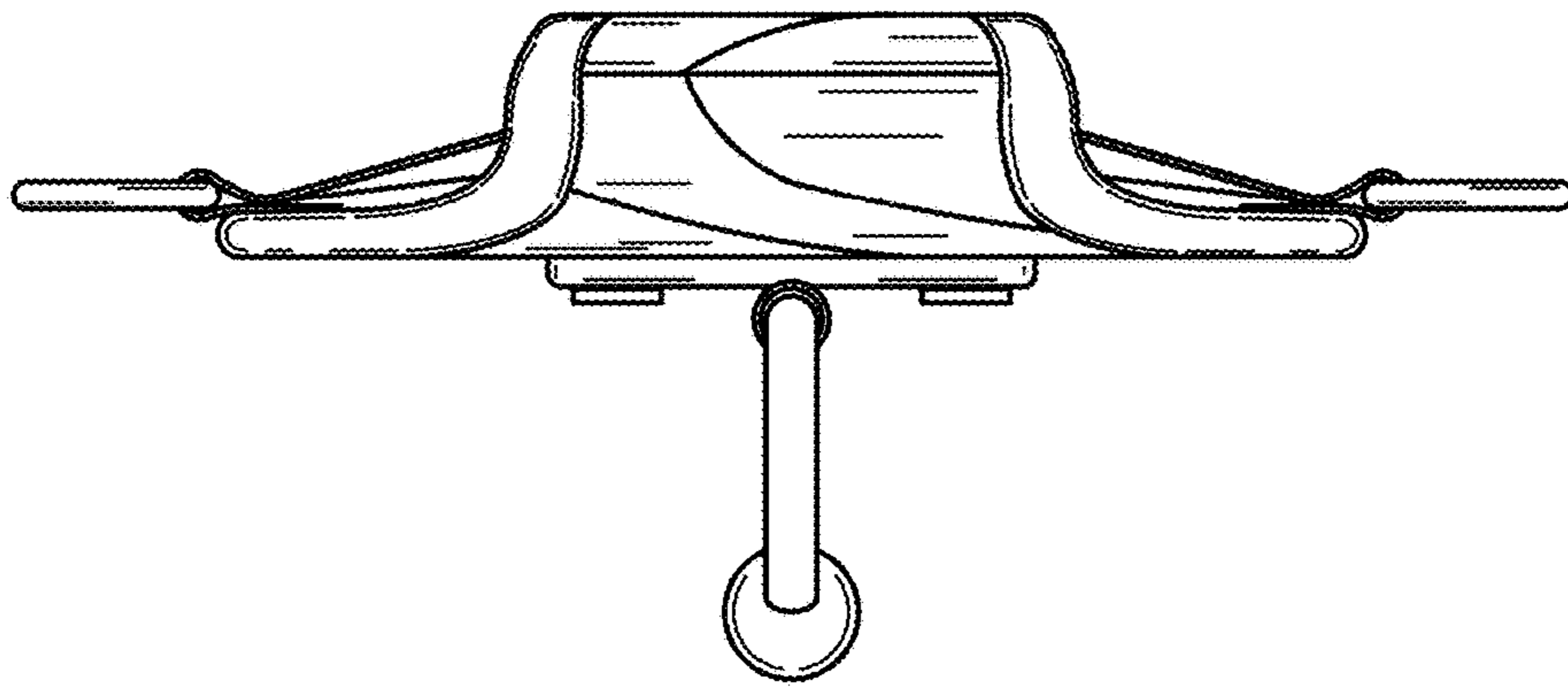


FIG. 8

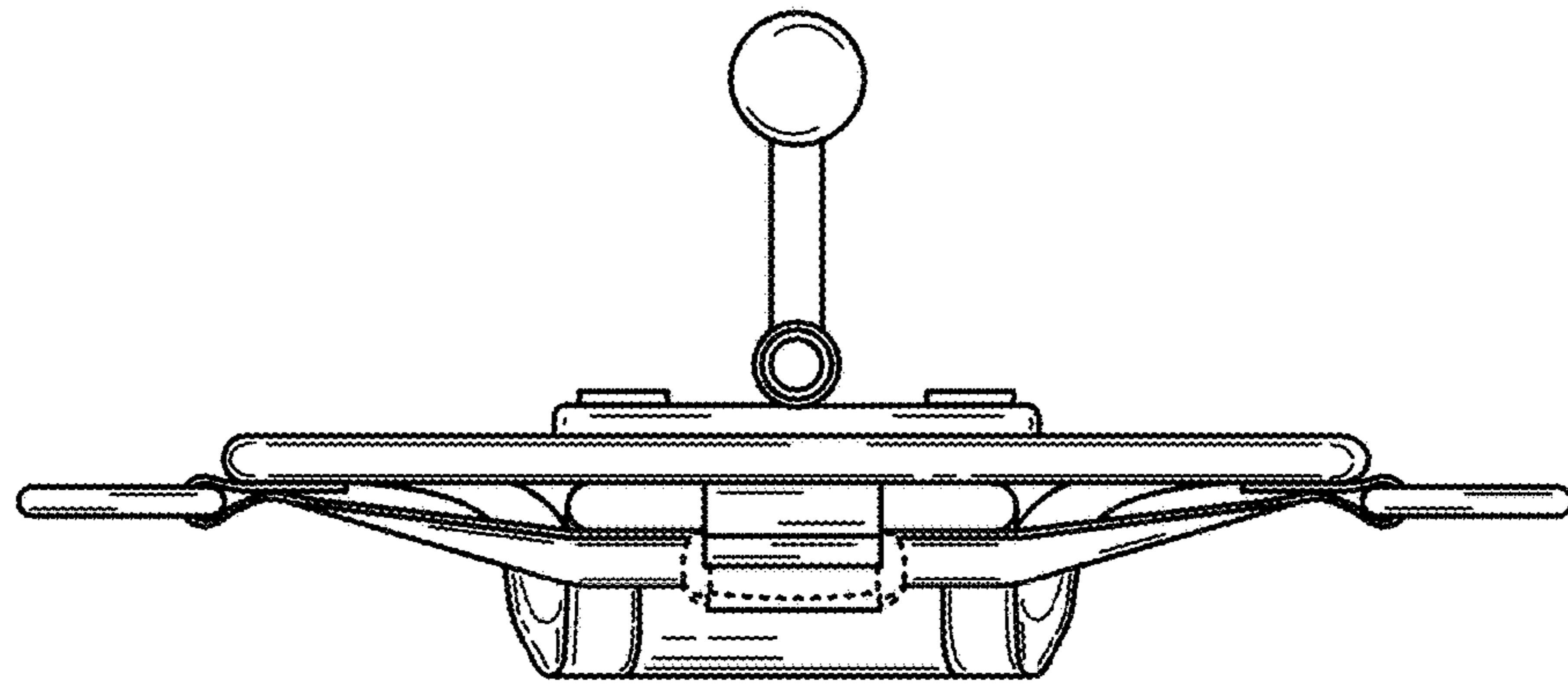


FIG. 9