



US00D816327S

(12) **United States Design Patent** (10) **Patent No.:** **US D816,327 S**
Bratcher (45) **Date of Patent:** **** May 1, 2018**

(54) **MULTIFUNCTIONAL UTILITY BELT ATTACHMENT APPARATUS**

(71) Applicant: **Jeffrey Thomas Bratcher**, Huntington Beach, CA (US)

(72) Inventor: **Jeffrey Thomas Bratcher**, Huntington Beach, CA (US)

(**) Term: **15 Years**

(21) Appl. No.: **29/576,528**

(22) Filed: **Sep. 2, 2016**

Related U.S. Application Data

(63) Continuation of application No. 14/335,343, filed on Jul. 18, 2014, now abandoned.

(51) **LOC (11) Cl.** **03-01**

(52) **U.S. Cl.**
USPC **D3/228**

(58) **Field of Classification Search**
USPC D3/215, 218, 224, 226, 228, 207–208, D3/210; 224/240–241, 245
CPC A45F 5/02; A45F 5/021; A45F 2005/006; A45F 2200/0575; G03B 17/566

See application file for complete search history.

(56) **References Cited**

U.S. PATENT DOCUMENTS

D518,950 S * 4/2006 Condiff D3/218
D670,903 S * 11/2012 Ormsbee D3/215
D692,231 S * 10/2013 Moreau A45F 5/02
D3/228
9,223,190 B1 * 12/2015 Yang G03B 17/566
D760,492 S * 7/2016 Chang 3/218

* cited by examiner

Primary Examiner — Catherine R Oliver-Garcia
(74) *Attorney, Agent, or Firm* — Knobbe, Martens, Olson & Bear, LLP.

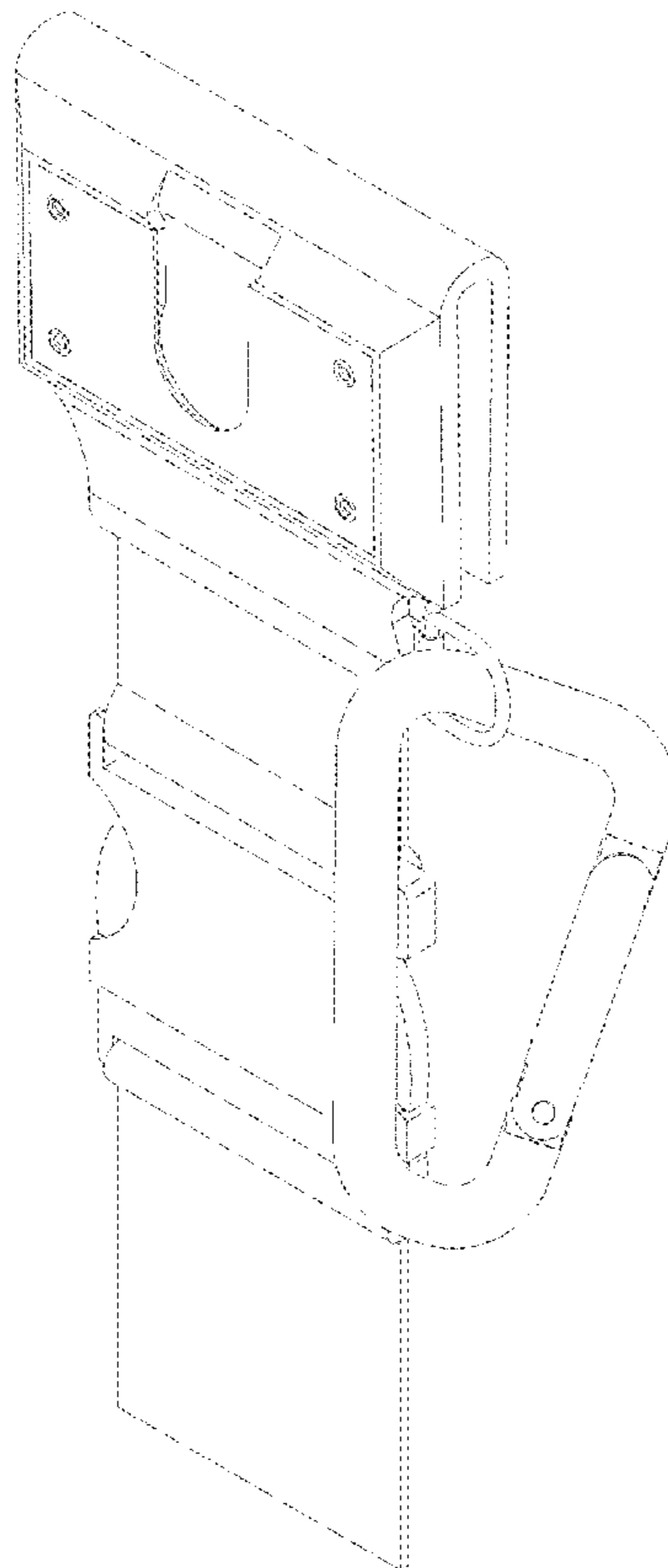
(57) **CLAIM**

The ornamental design for a multifunctional utility belt attachment apparatus, as shown and described.

DESCRIPTION

FIG. 1 is a perspective view of a first embodiment of a multifunctional utility belt attachment apparatus; FIG. 2 is another perspective view thereof; FIG. 3 is a front view thereof; FIG. 4 is a perspective view showing the exploded view of the quick release mechanism; FIG. 5 is a front view of a second embodiment of a multifunctional utility belt attachment apparatus; and, FIG. 6 is a side view thereof.

1 Claim, 5 Drawing Sheets



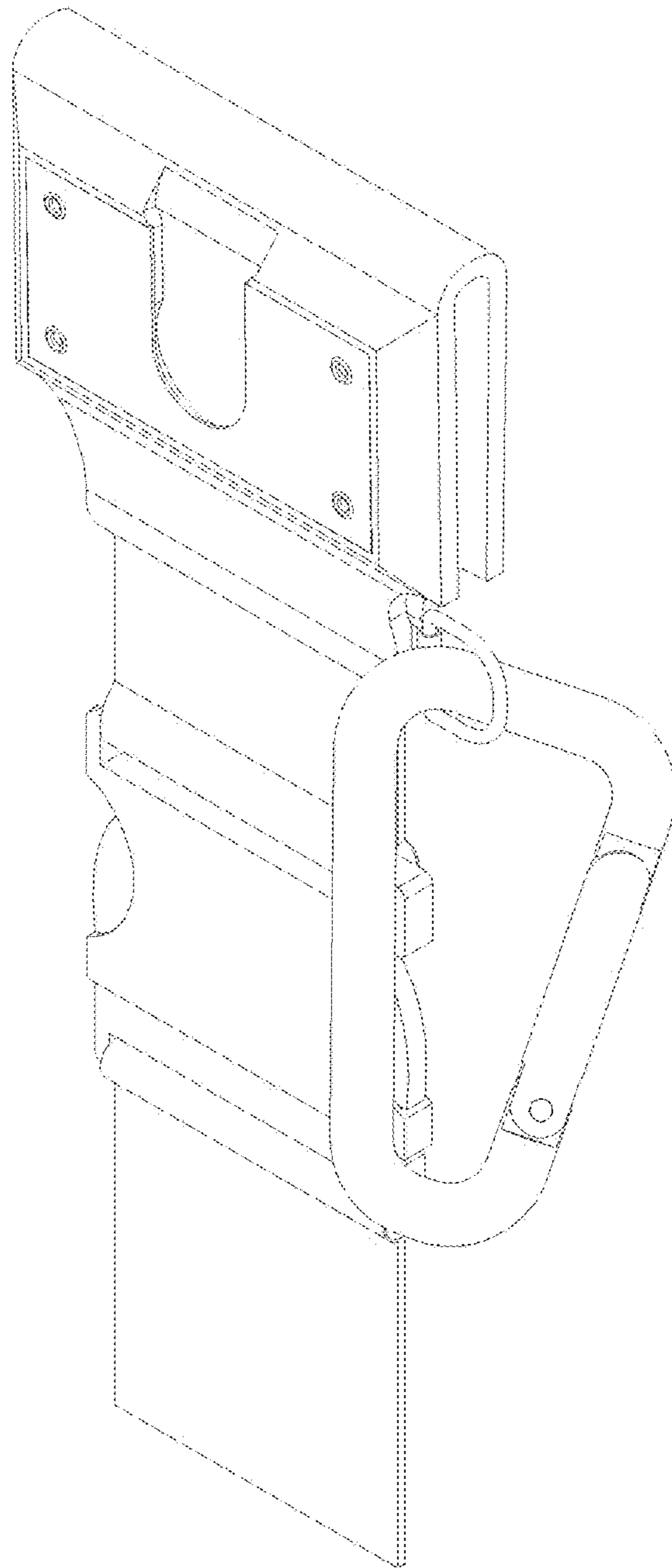


FIG. 1

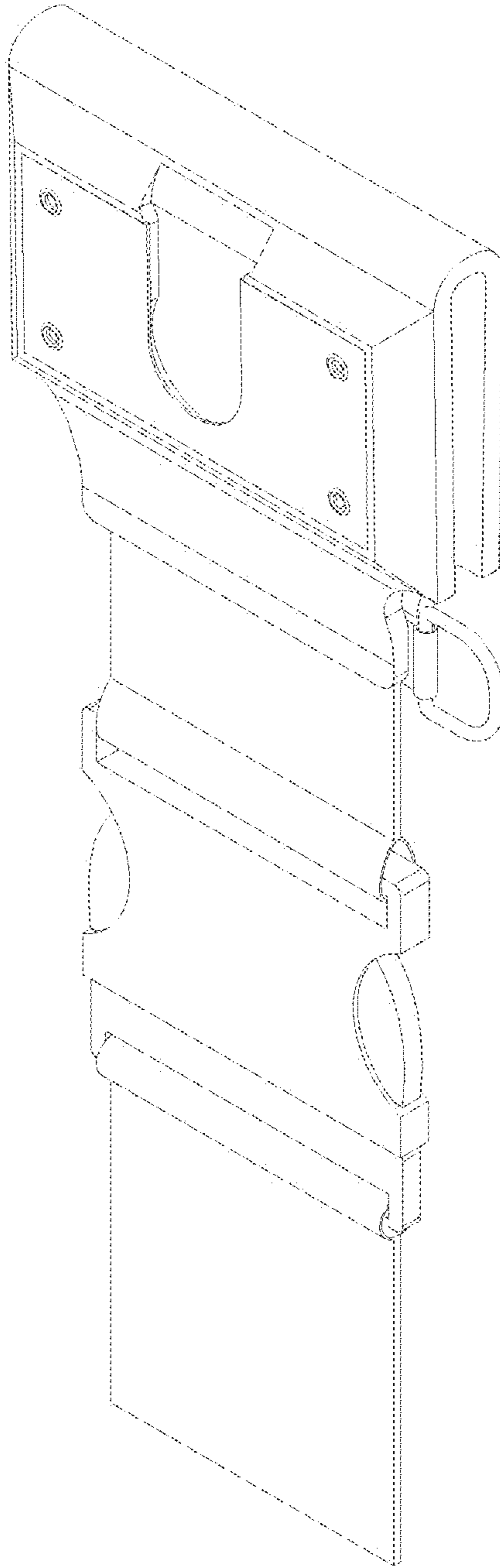


FIG. 2

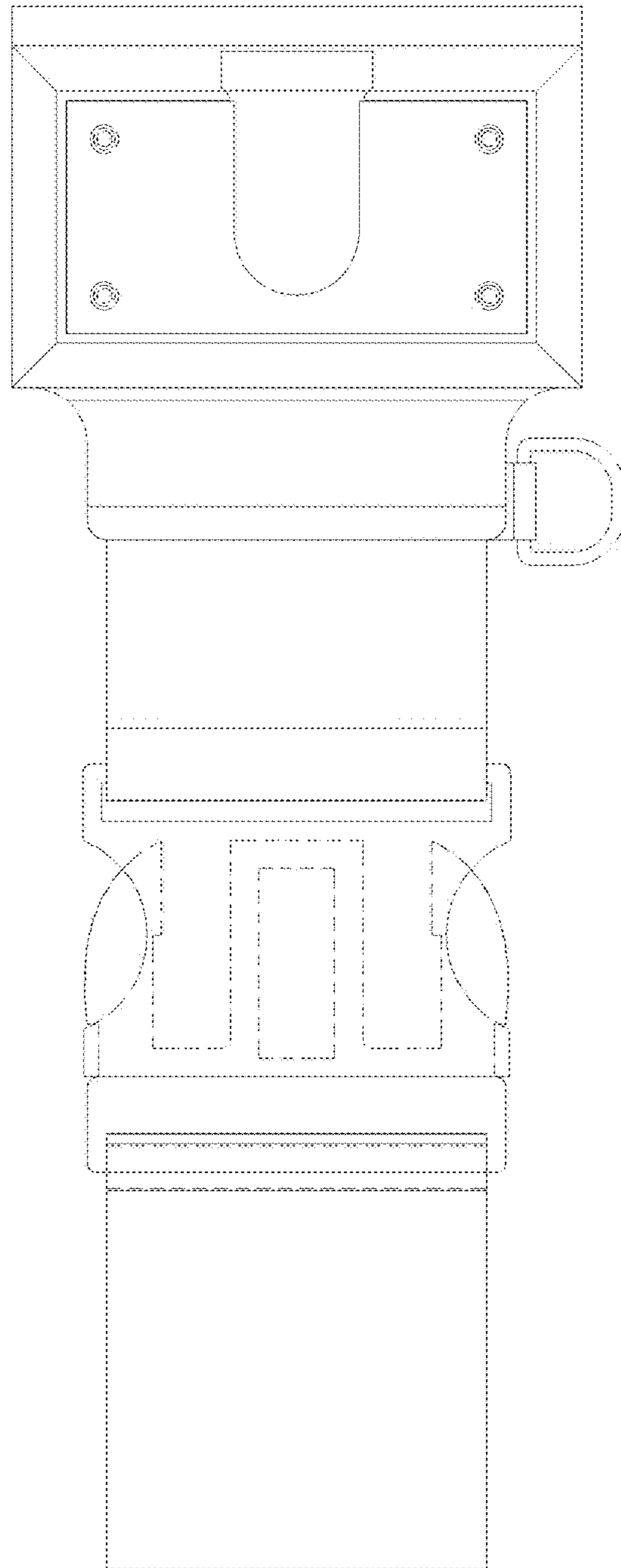


FIG. 3

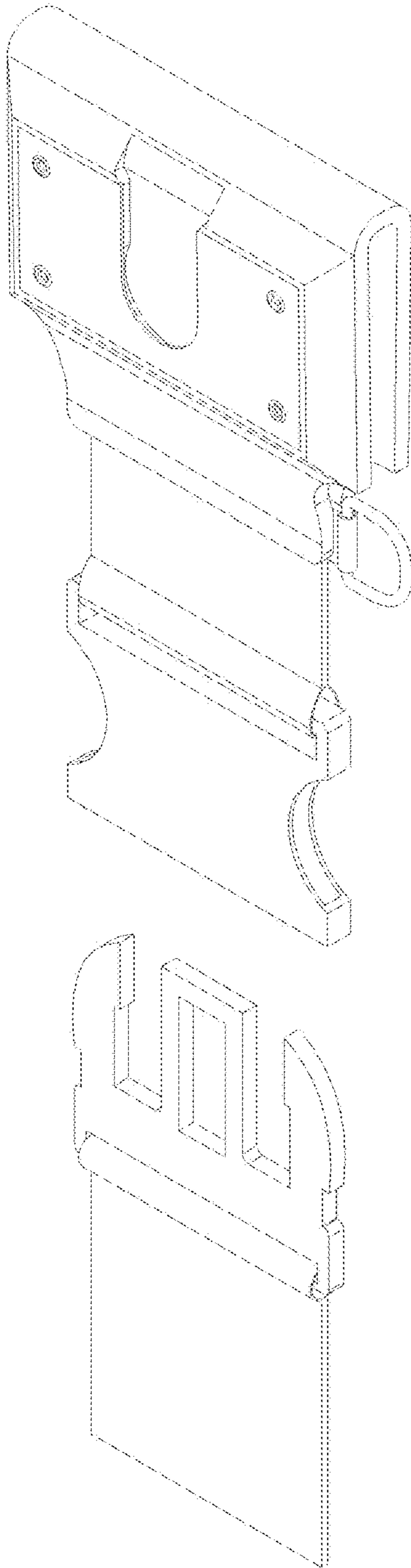


FIG. 4

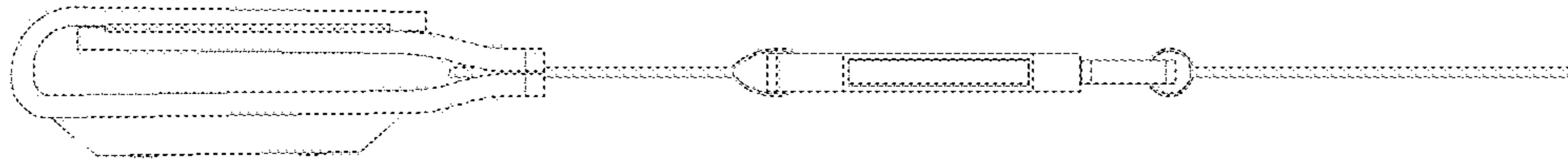


FIG. 6

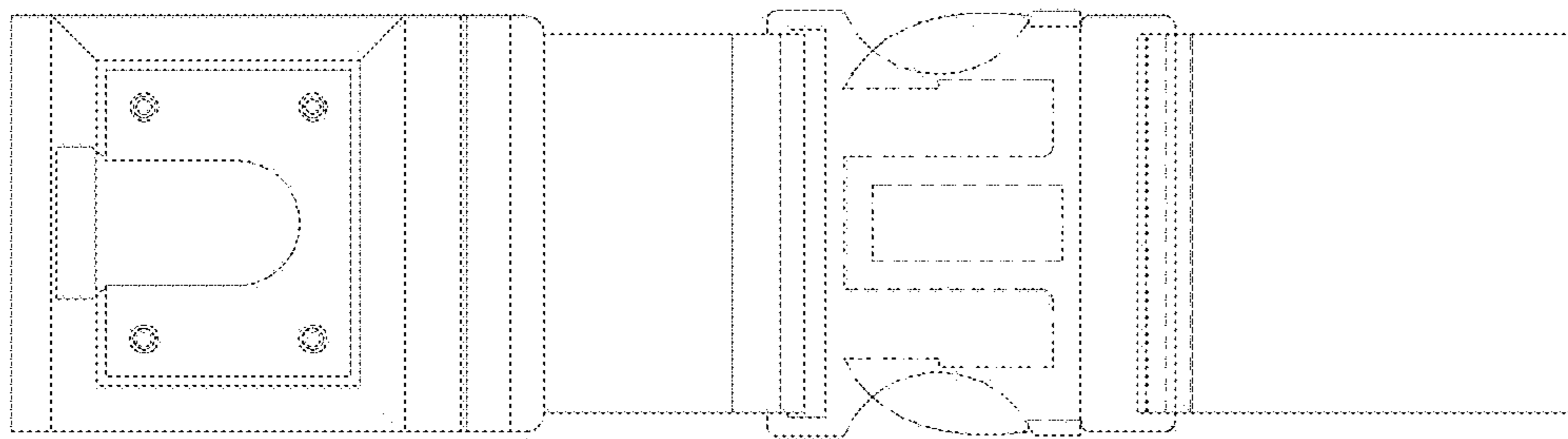


FIG. 5