



US00D816325S

(12) **United States Design Patent** (10) **Patent No.:** **US D816,325 S**
Wei (45) **Date of Patent:** **** May 1, 2018**

(54) **PEN CASE**
(71) Applicant: **Xiaoling Wei**, Guangdong (CN)
(72) Inventor: **Xiaoling Wei**, Guangdong (CN)
(**) Term: **15 Years**
(21) Appl. No.: **29/598,261**
(22) Filed: **Mar. 24, 2017**
(51) **LOC (11) Cl.** **03-02**
(52) **U.S. Cl.**
USPC **D3/206**
(58) **Field of Classification Search**
USPC D3/206, 283, 294, 295, 315
CPC A45C 11/34; A45C 11/36
See application file for complete search history.

(56) **References Cited**
U.S. PATENT DOCUMENTS
D95,170 S * 4/1935 Baumgard D19/92
2,697,460 A * 12/1954 Barnett B23D 45/068
144/285
D315,446 S * 3/1991 Dietterich D19/85
5,134,918 A * 8/1992 Chang A45C 11/34
206/214
5,899,420 A * 5/1999 Gerardi B25H 3/021
220/475
D412,057 S * 7/1999 Brown D3/201
D479,041 S * 9/2003 Fonfeder D3/206

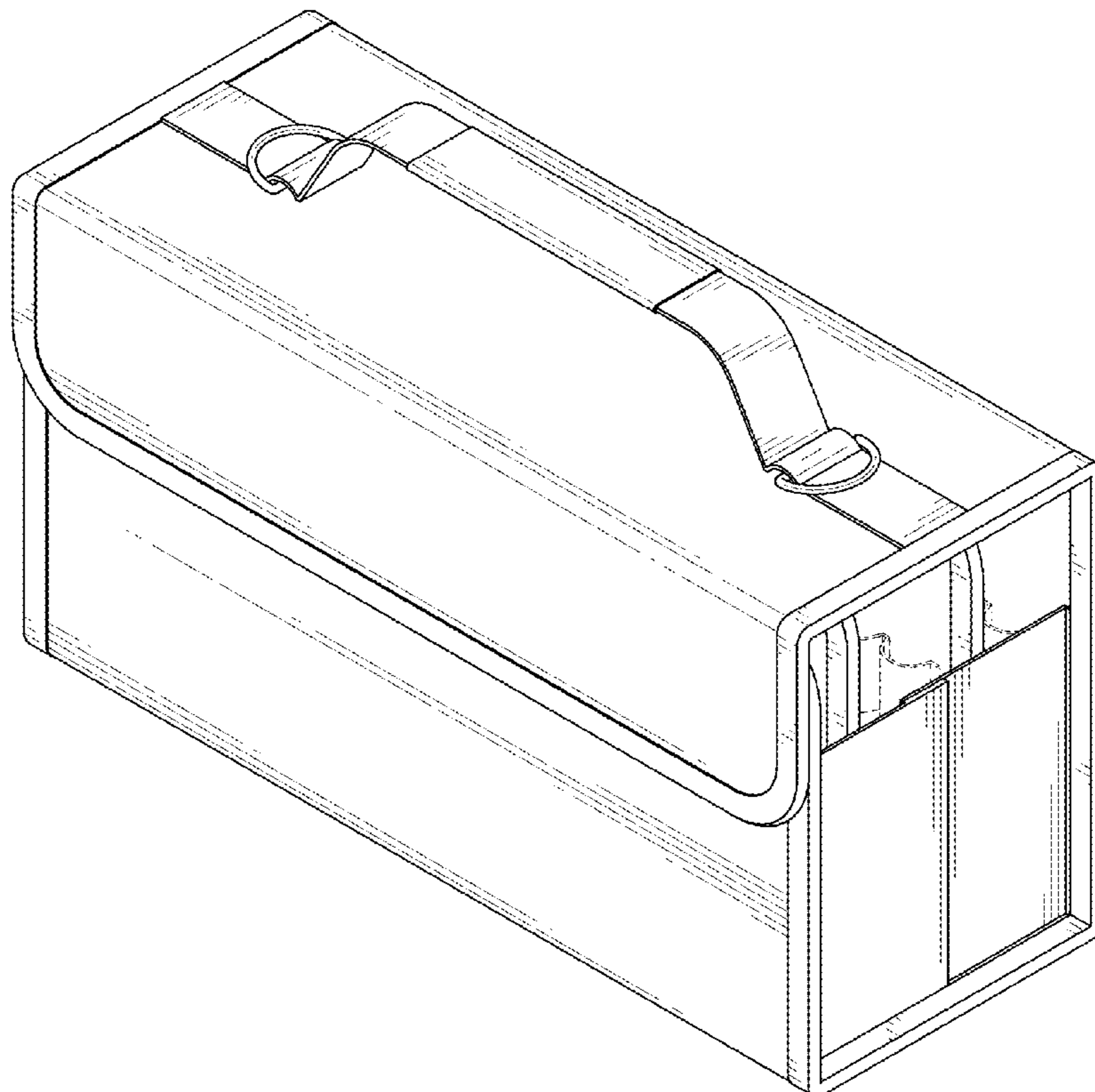
D702,939 S * 4/2014 Thurston D3/274
D728,932 S * 5/2015 Horovitz D3/276
2009/0277905 A1* 11/2009 Gillan B25H 3/02
220/315
2010/0040998 A1* 2/2010 Thurston G09B 19/0023
434/84

* cited by examiner
Primary Examiner — Charles Hanson
(74) *Attorney, Agent, or Firm* — Law Offices of Steven W. Weinrieb

(57) **CLAIM**
The ornamental design for a pen case, as shown and described.

DESCRIPTION
FIG. 1 is a first perspective view of a pen case showing my new design;
FIG. 2 is a second perspective view thereof;
FIG. 3 is a third perspective view thereof;
FIG. 4 is a perspective view thereof showing the pen case in an open state;
FIG. 5 is a perspective view of the pen case showing its inner portion and outer portion separated;
FIG. 6 is an unfolded perspective view of the outside portion of the pen case; and,
FIG. 7 is a perspective view showing the pen case in a use state.
The broken lines in the drawings illustrate portions of the pen case which form no part of the claimed design.

1 Claim, 7 Drawing Sheets



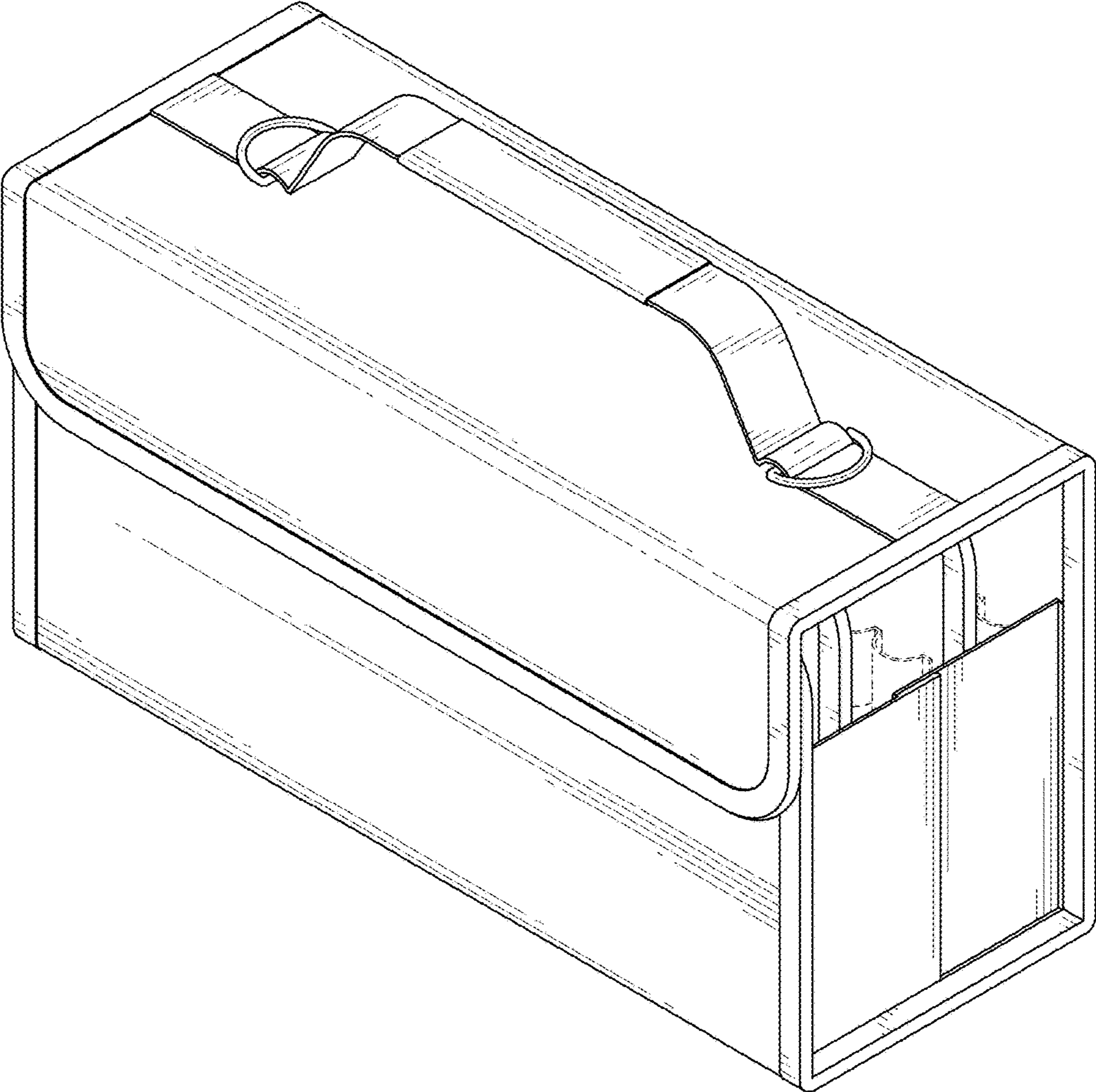


FIG. 1

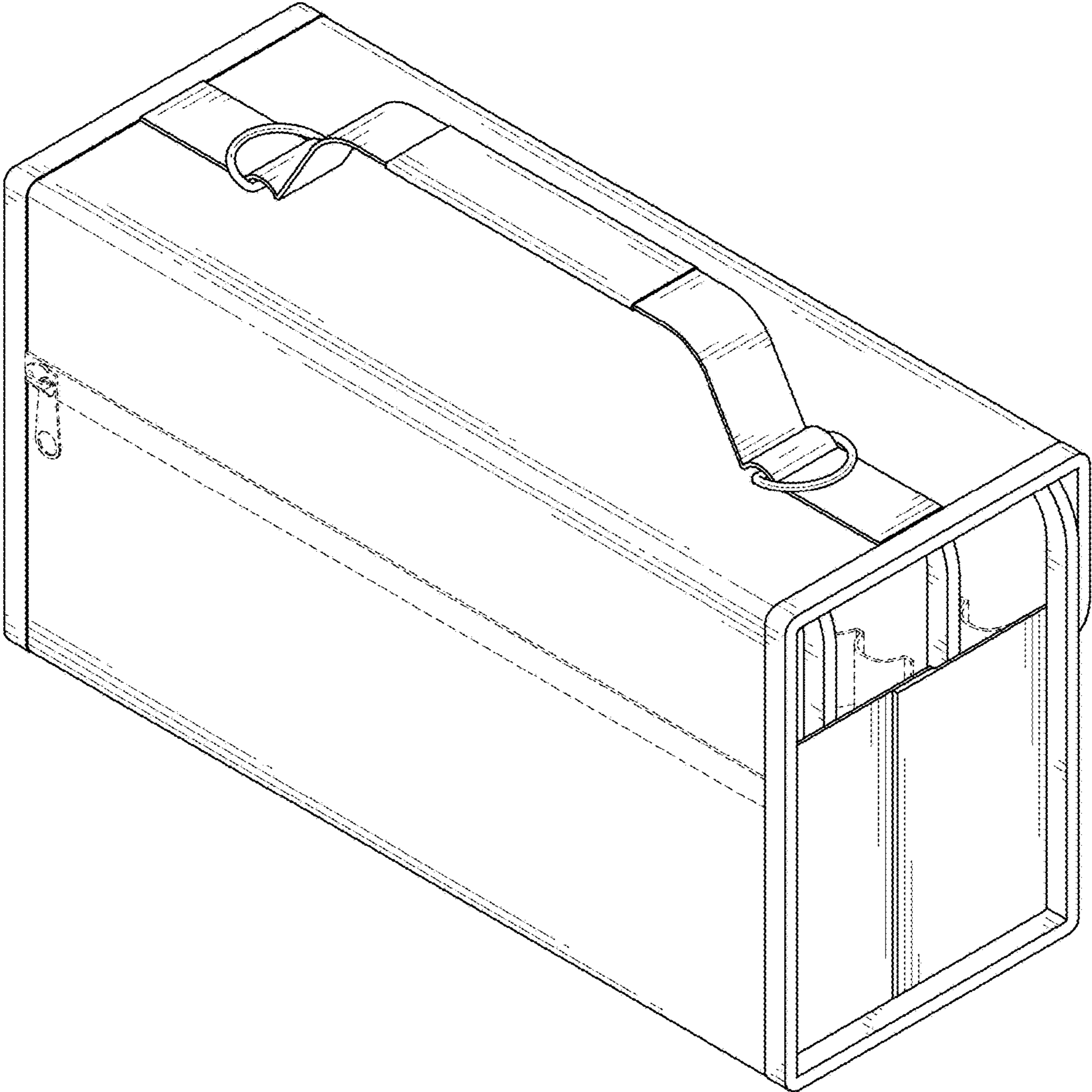


FIG. 2

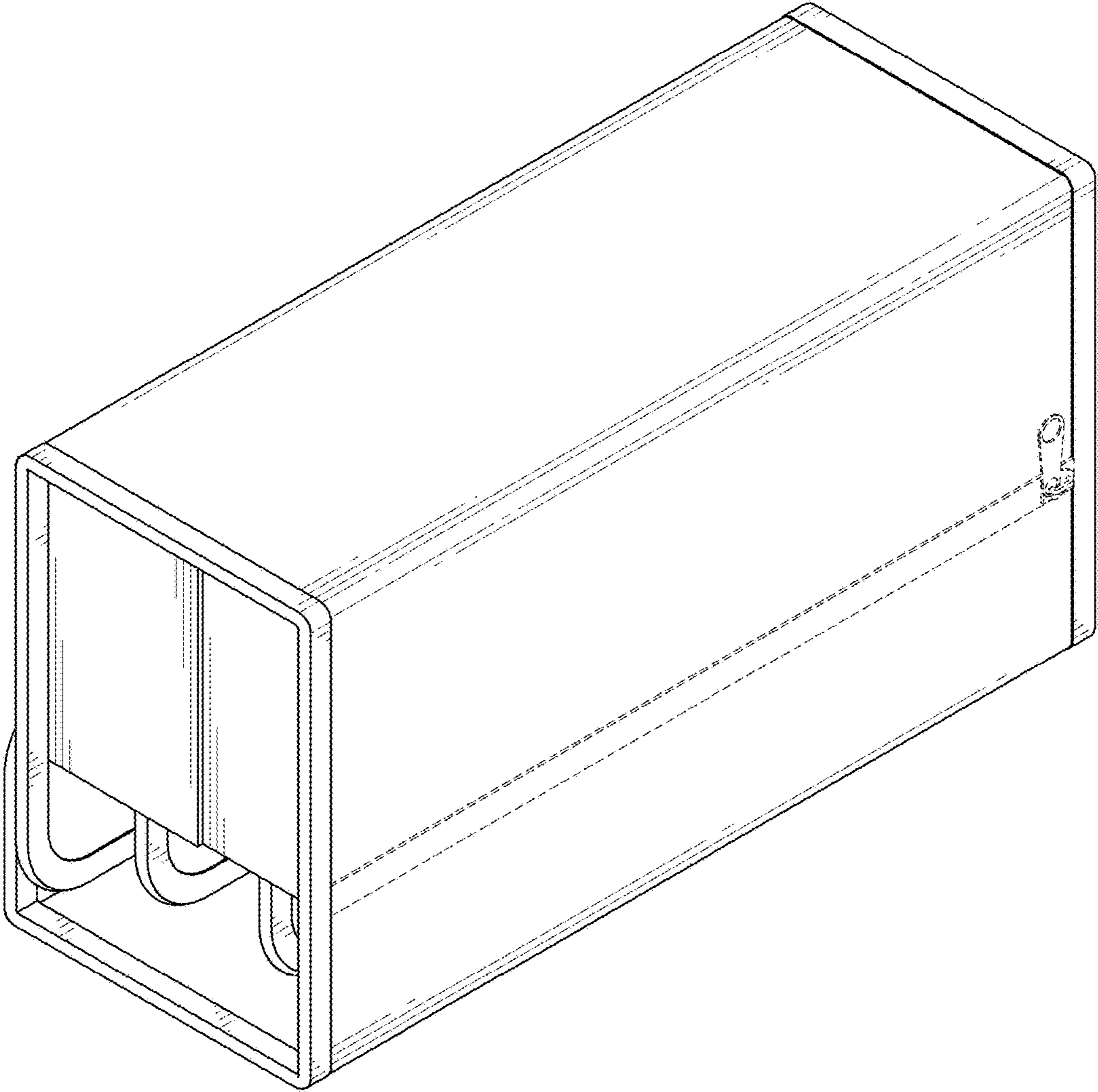


FIG. 3

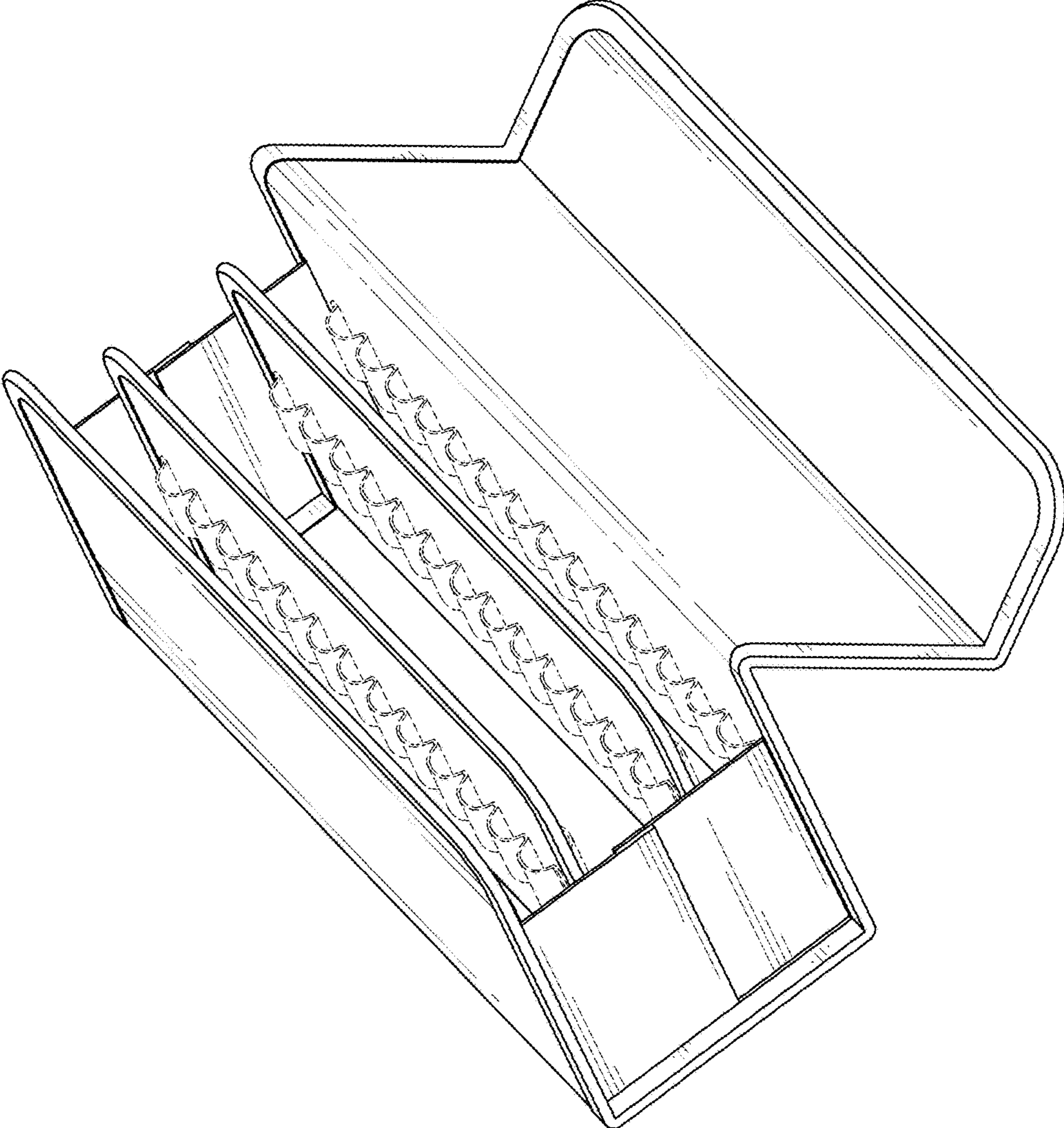


FIG. 4

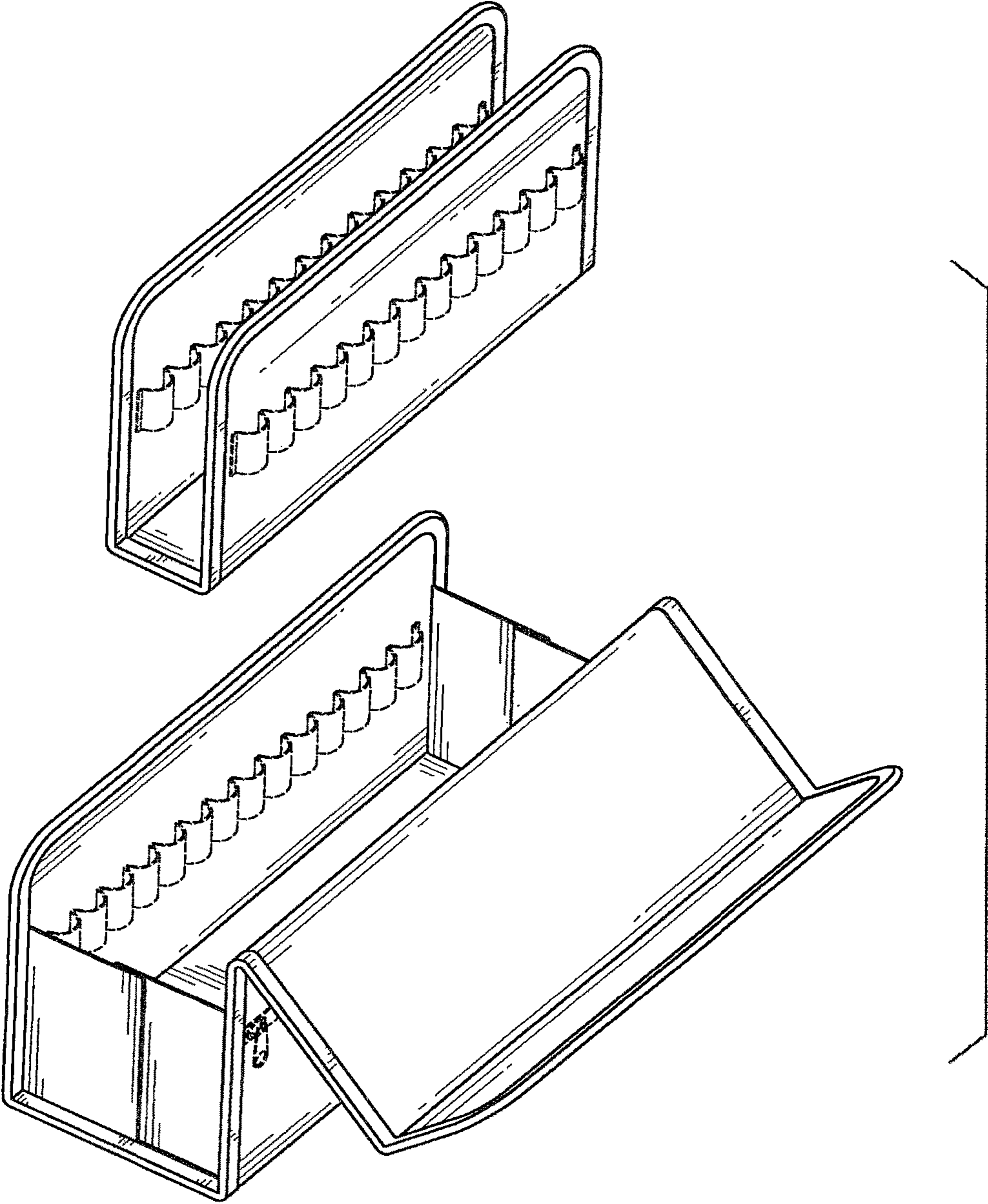


FIG. 5

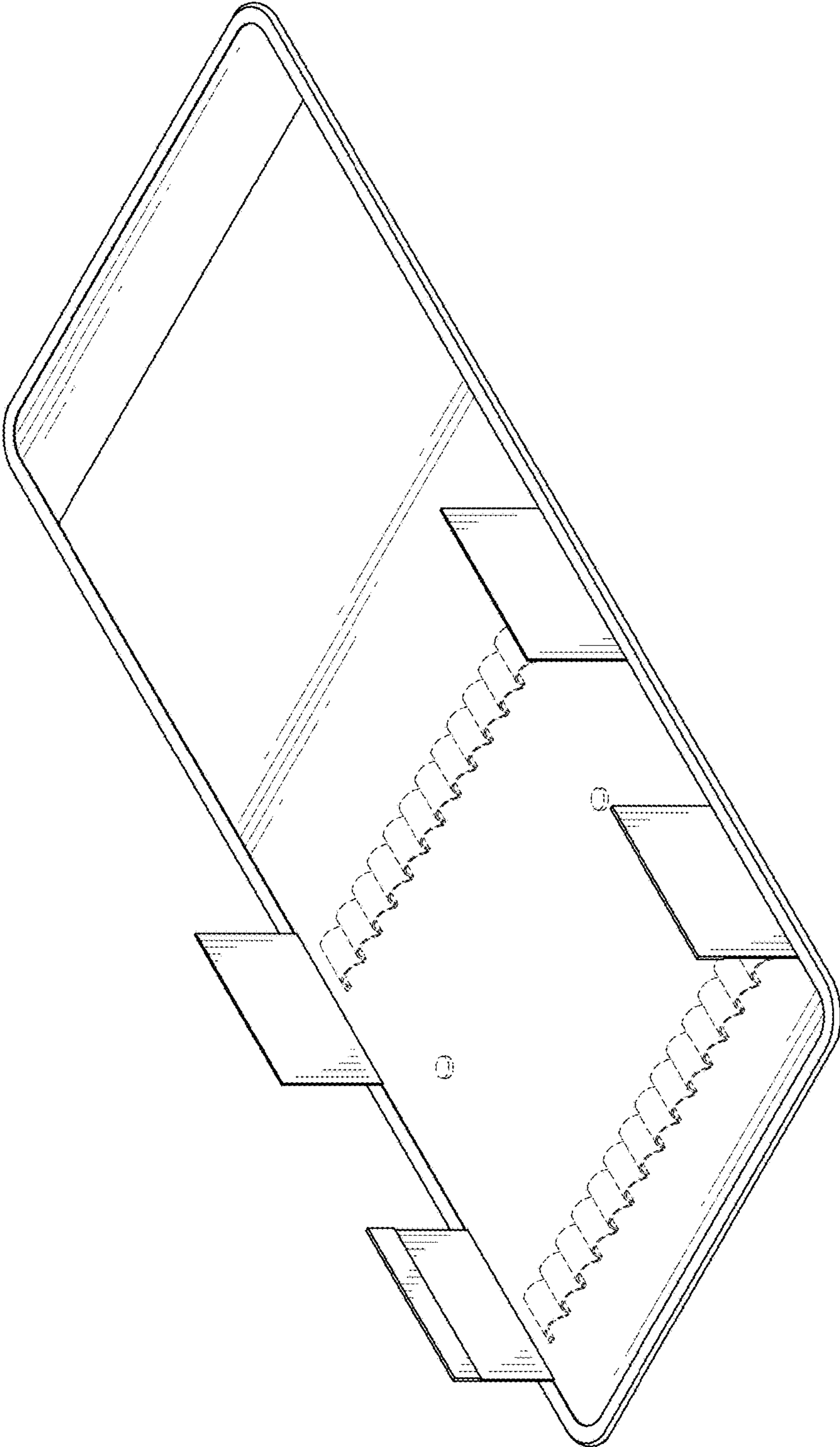


FIG. 6

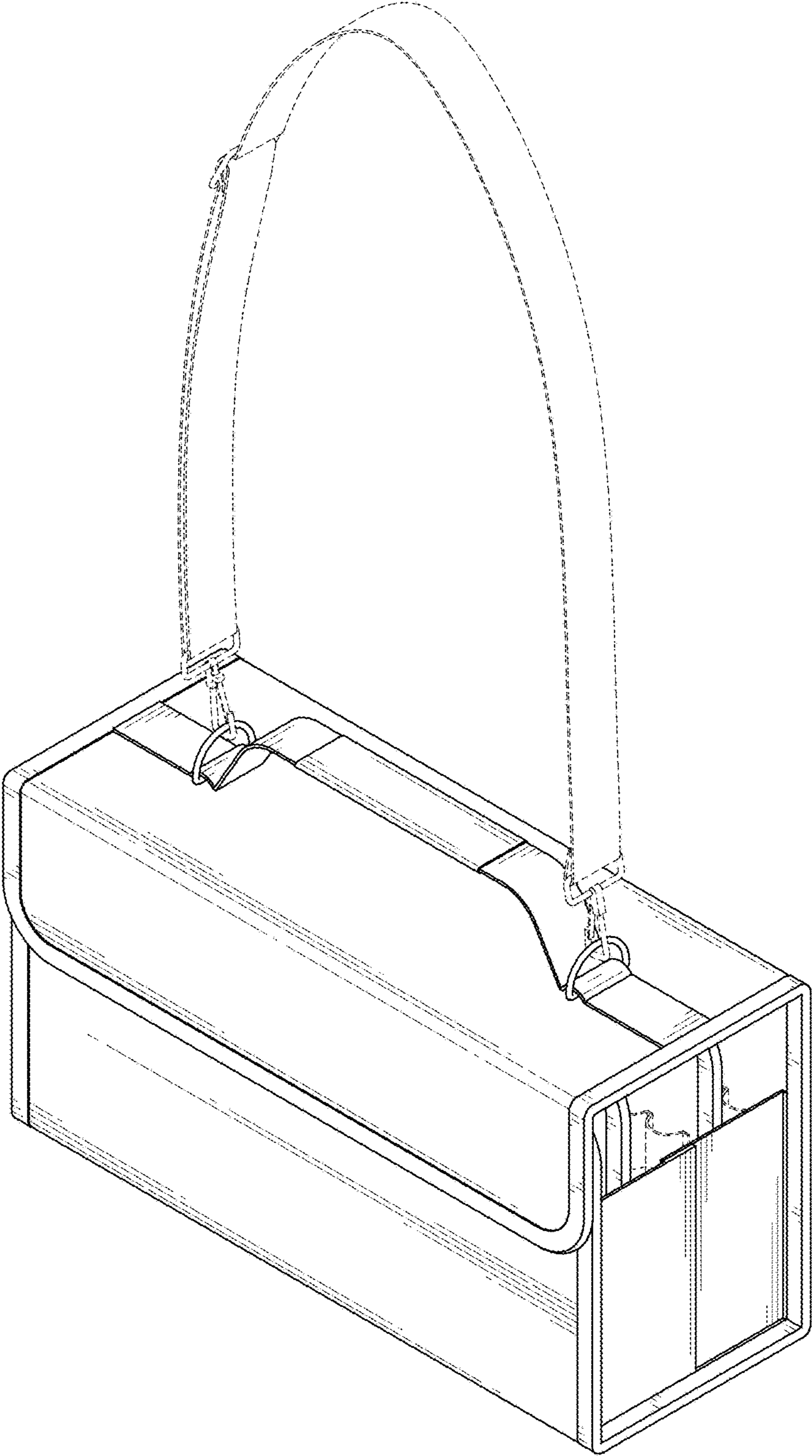


FIG. 7