



US00D816324S

(12) **United States Design Patent**  
**Boisdevesys et al.**

(10) **Patent No.:** **US D816,324 S**

(45) **Date of Patent:** **\*\* May 1, 2018**

- (54) **WRITING INSTRUMENT CASE**
- (71) Applicant: **Societe BIC**, Clichy (FR)
- (72) Inventors: **David Boisdevesys**, Vitry Sure Seine (FR); **Franck Vadenne**, Bezons (FR); **Ludovic Fagu**, Noisy-le-Sec (FR)
- (73) Assignee: **SOCIETE BIC**, Clichy (FR)
- (\*\*) Term: **15 Years**
- (21) Appl. No.: **29/580,969**
- (22) Filed: **Oct. 14, 2016**
- (30) **Foreign Application Priority Data**  
Apr. 15, 2016 (EM) ..... 001449706
- (51) **LOC (11) Cl.** ..... **03-00**
- (52) **U.S. Cl.**  
USPC ..... **D3/206**
- (58) **Field of Classification Search**  
USPC ..... D3/206, 315  
CPC ..... A45C 11/34; A45C 11/36  
See application file for complete search history.
- (56) **References Cited**  
**U.S. PATENT DOCUMENTS**  
873,421 A \* 12/1907 Fleming ..... A47F 5/112  
211/69.9  
4,573,569 A \* 3/1986 Parker ..... B44D 3/123  
206/1.7

D316,934 S *	5/1991	Stanfield	.....	D3/282
D332,468 S *	1/1993	Tarozzi	.....	D19/106
5,248,030 A *	9/1993	Tarozzi	.....	A45C 11/24 206/1.7
D400,435 S *	11/1998	Appelbaum	.....	D9/415
D434,647 S *	12/2000	Appelbaum	.....	D9/415
D457,301 S *	5/2002	DeVries	.....	D3/205
6,681,933 B1 *	1/2004	Demsien	.....	A45C 11/34 206/214
D566,173 S *	4/2008	Roismann	.....	D3/206

\* cited by examiner

*Primary Examiner* — Charles Hanson

(74) *Attorney, Agent, or Firm* — Ohlandt, Greeley, Ruggiero & Perle, L.L.P.

(57) **CLAIM**

The ornamental design for a writing instrument case, as shown and described.

**DESCRIPTION**

FIG. 1 is a front perspective view of an ornamental design for a writing instrument case according to the present invention;

FIG. 2 is a left side elevational view thereof;

FIG. 3 is a right side elevational view thereof;

FIG. 4 is a front side elevational view thereof;

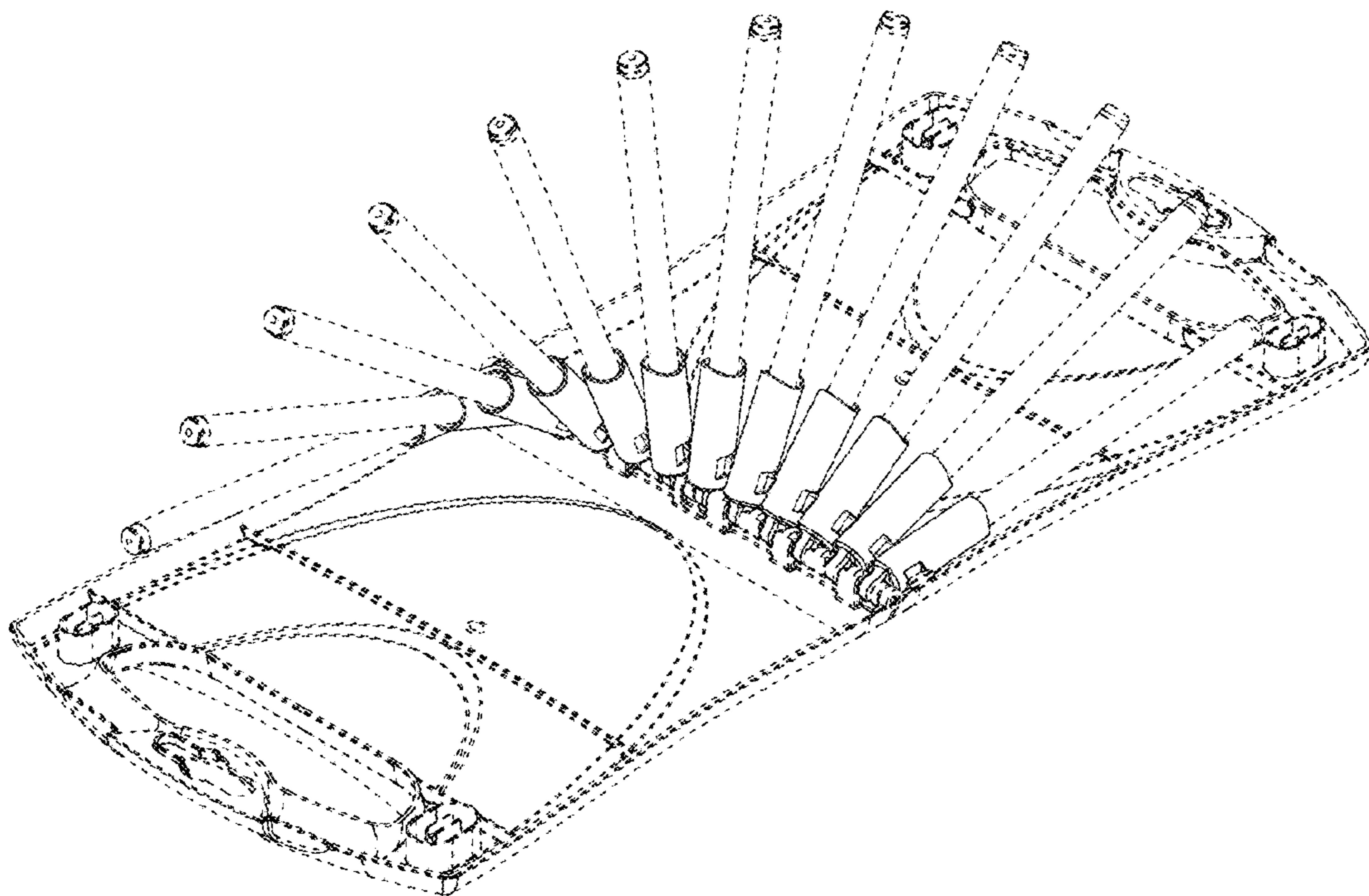
FIG. 5 is a rear side elevational view thereof;

FIG. 6 is a top plan view thereof; and,

FIG. 7 is a bottom plan view.

The broken lines shown in FIGS. 1-7 are for the purpose of illustrating environmental structure and forms no part of the claimed design.

**1 Claim, 7 Drawing Sheets**



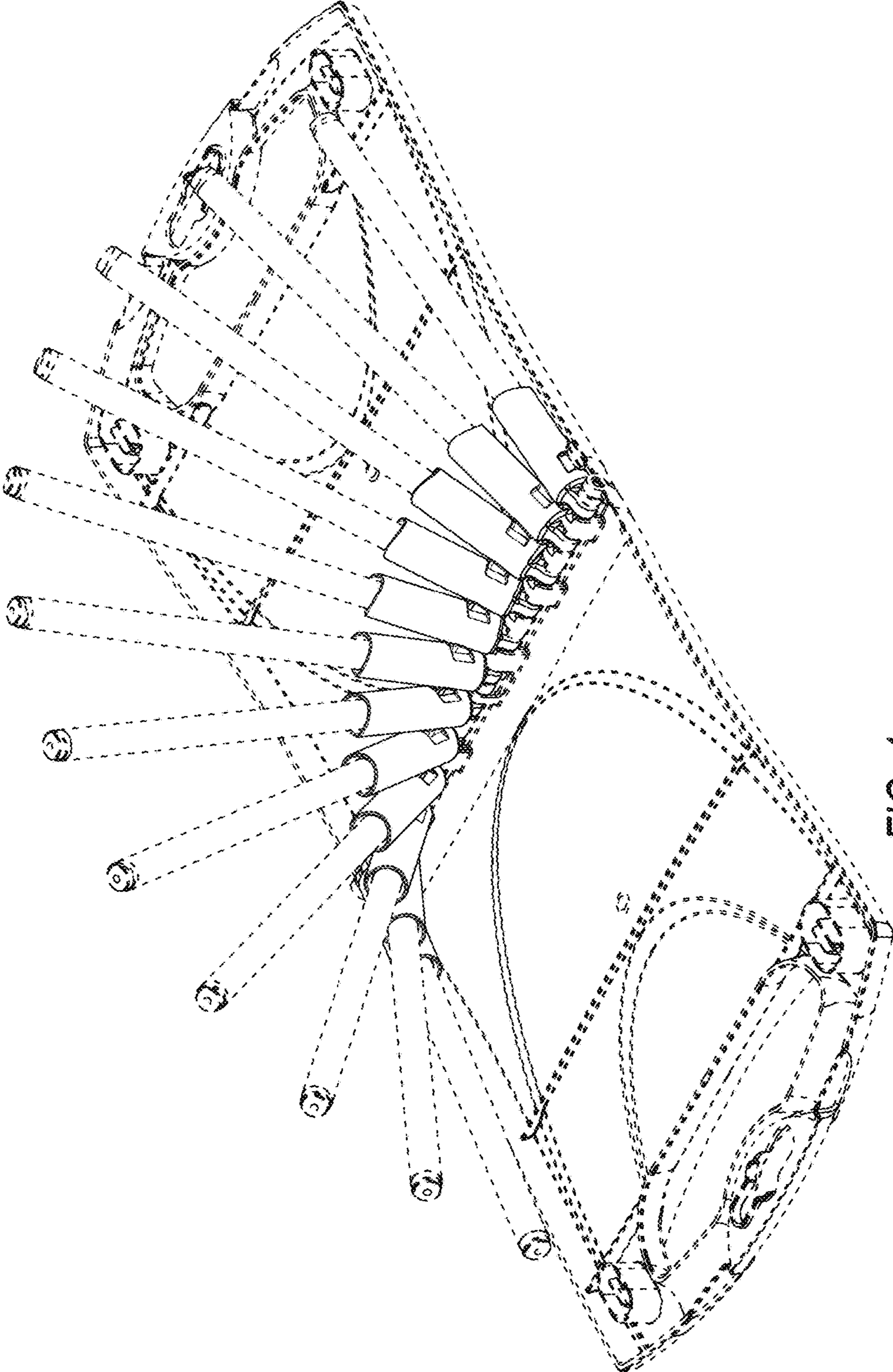


FIG. 1

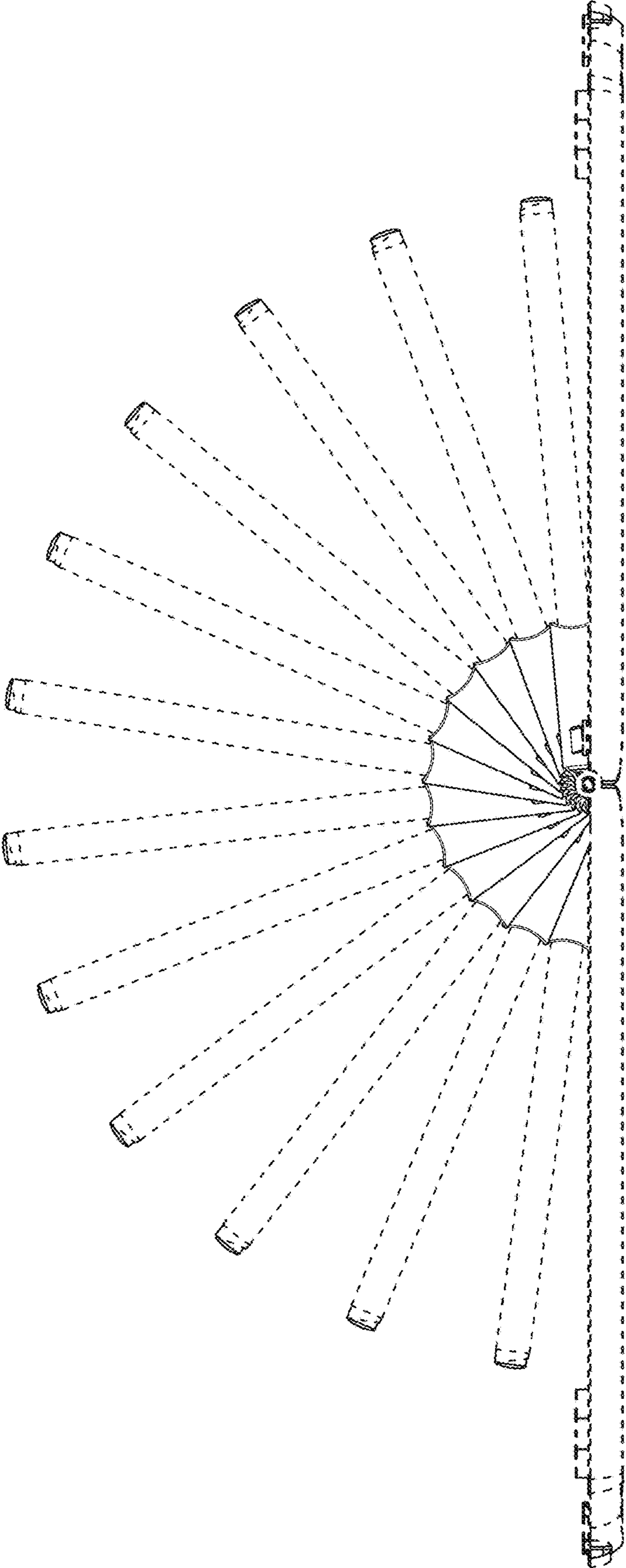


FIG. 2



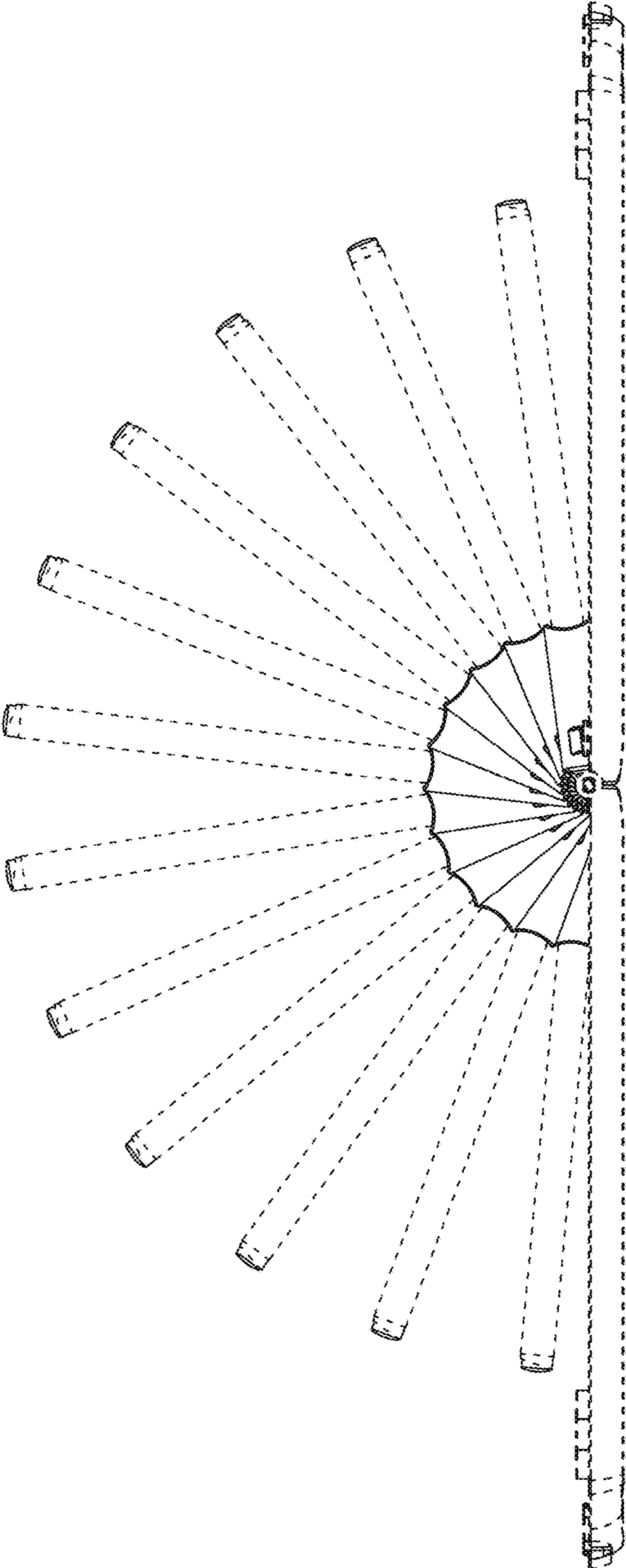


FIG. 3

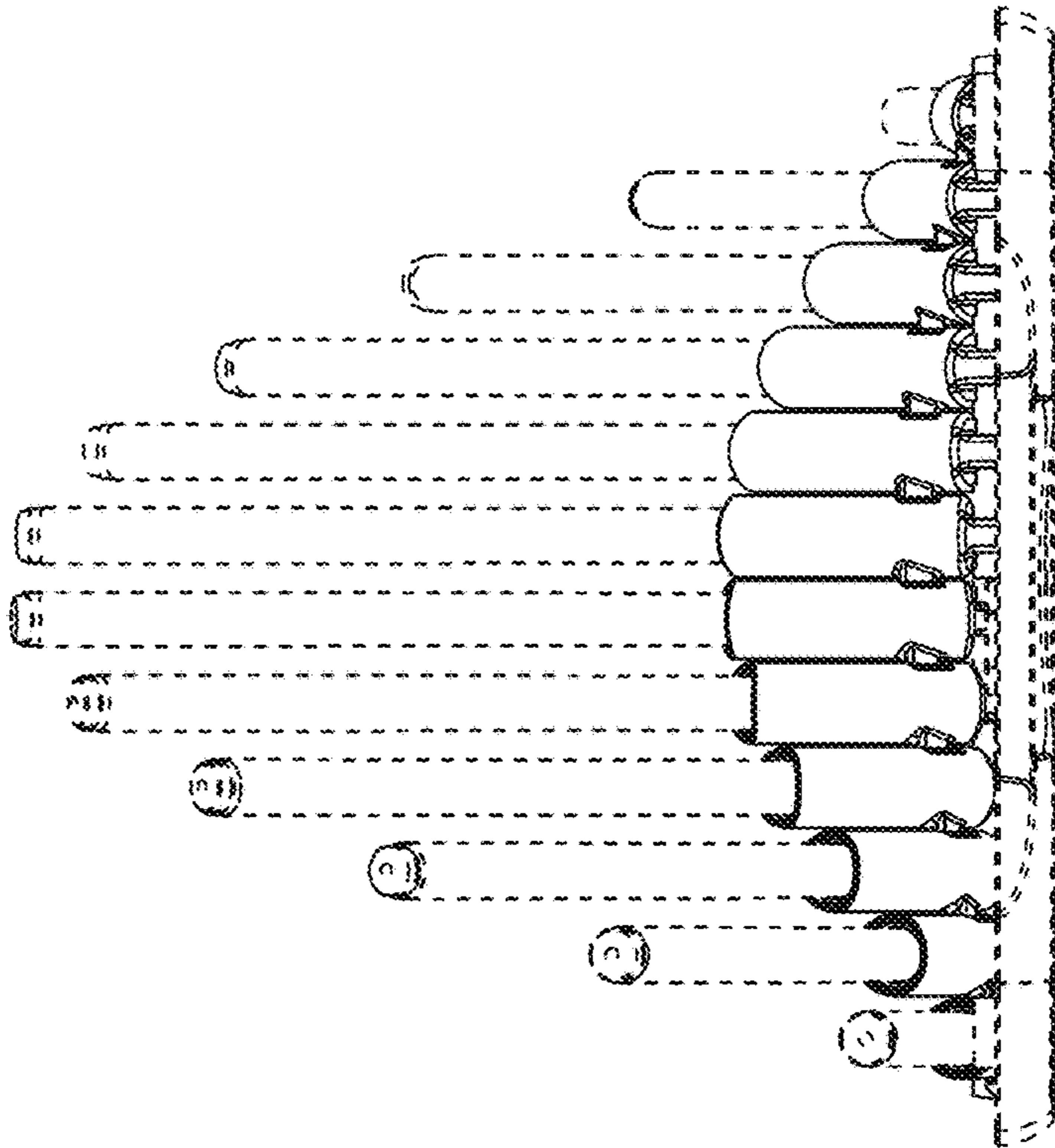


FIG. 4

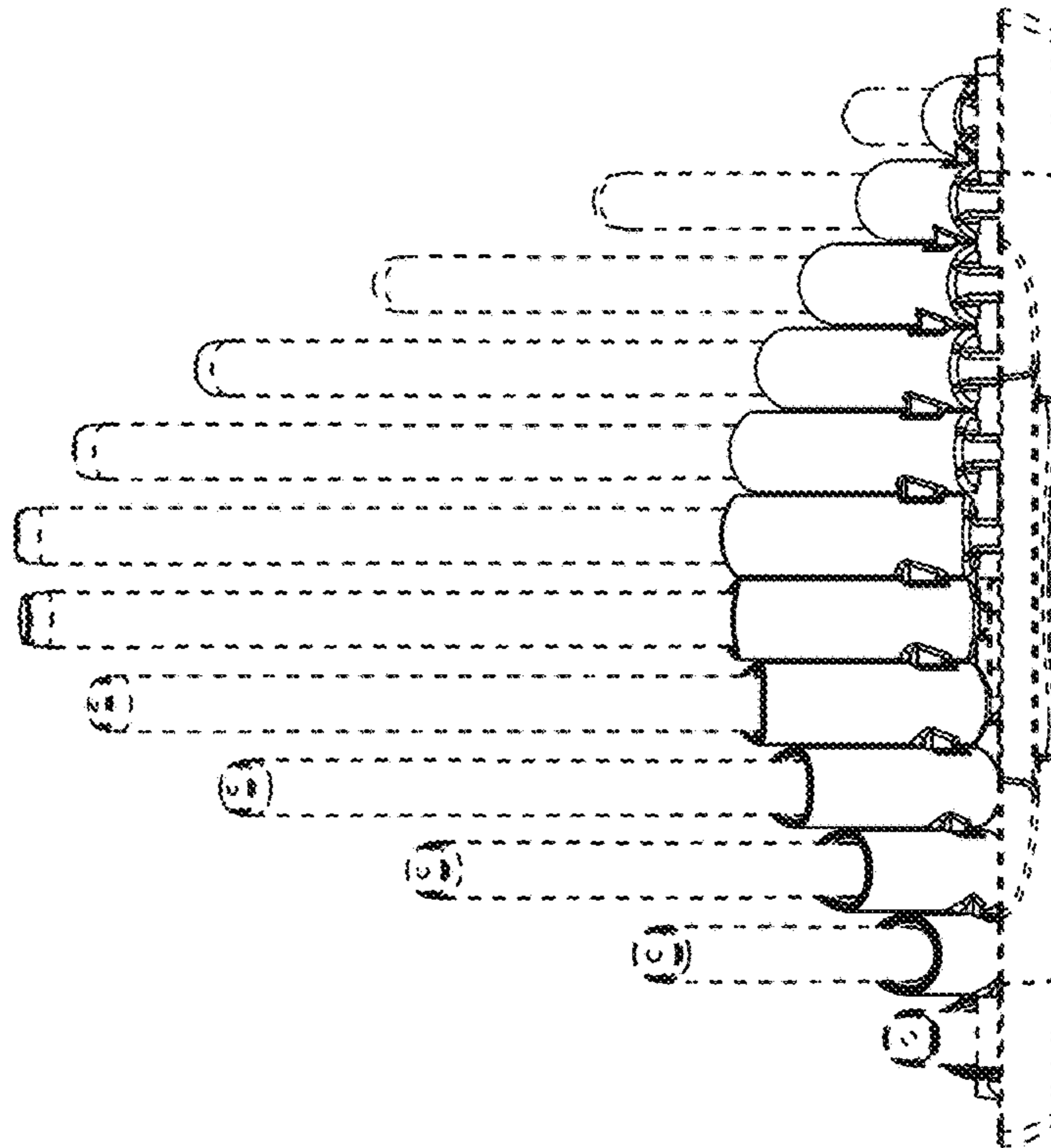


FIG. 5

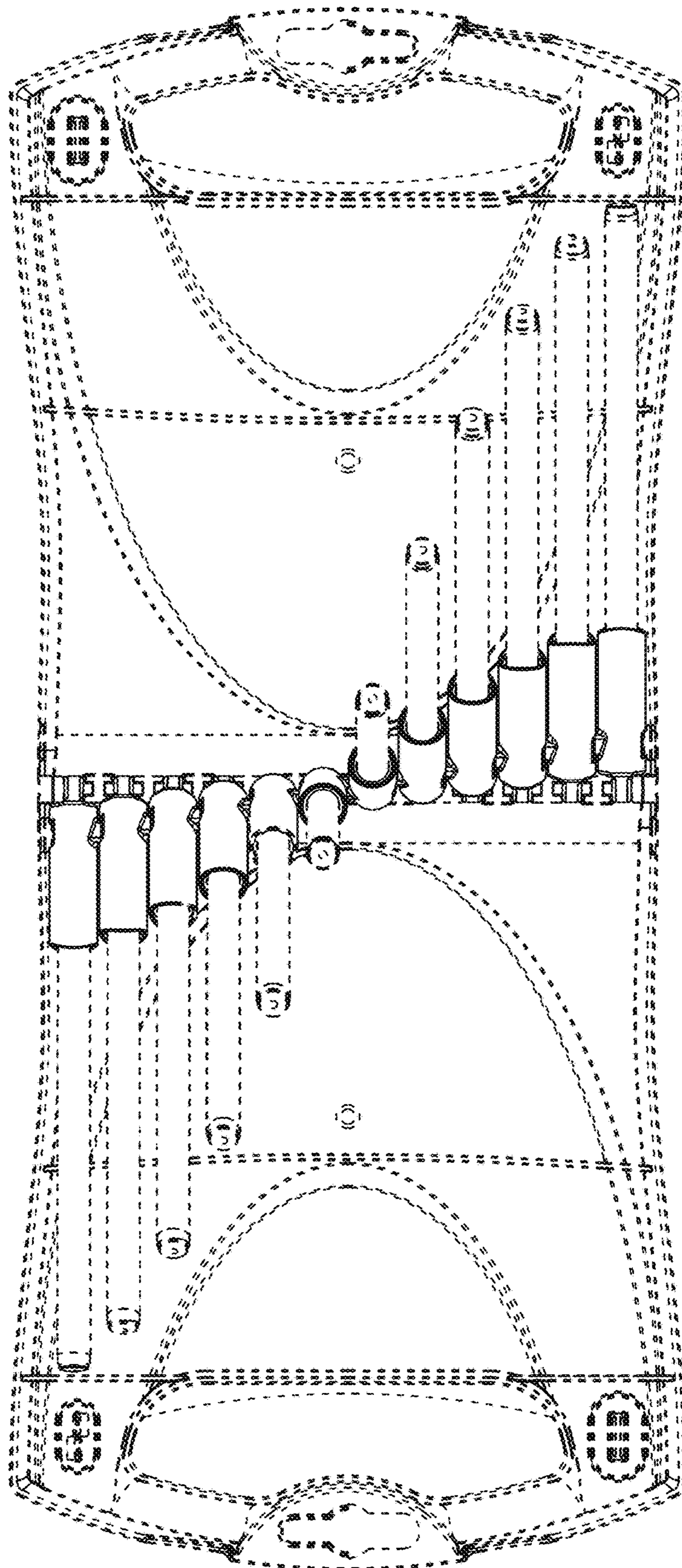


FIG. 6



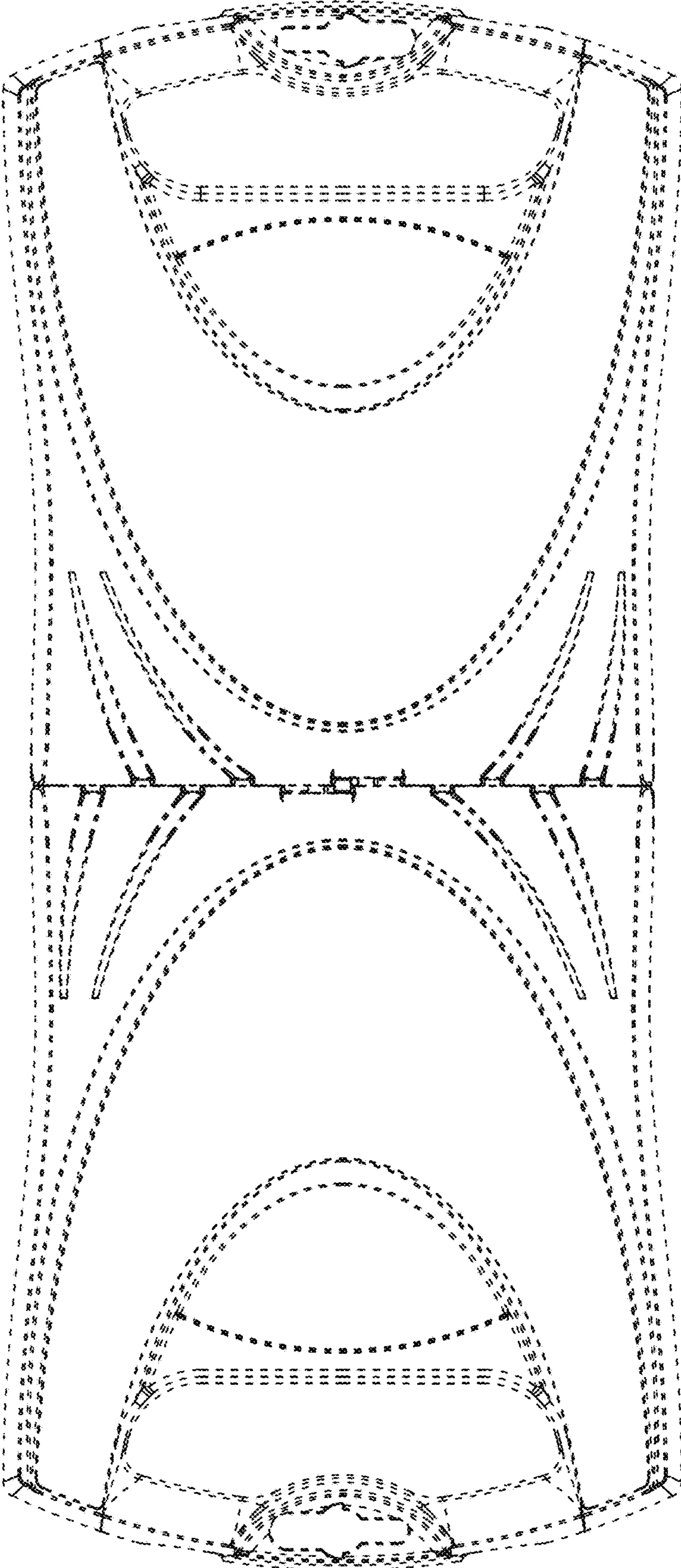


FIG. 7