



US00D816323S

(12) **United States Design Patent**  
**Zhuang**

(10) **Patent No.:** **US D816,323 S**

(45) **Date of Patent:** **\*\* May 1, 2018**

(54) **TRANSPARENT STORAGE BOX FOR NAIL POLISH**

7,121,407 B2 \* 10/2006 Hurt ..... A01K 97/06  
206/373

D595,958 S \* 7/2009 Twig ..... D3/294

D679,908 S \* 4/2013 Hurt ..... D3/294

D681,950 S \* 5/2013 Deschenes ..... D3/294

RE45,787 E \* 11/2015 Hurt ..... D3/294

(71) Applicant: **Yuhua Zhuang**, Guangdong (CN)

(72) Inventor: **Yuhua Zhuang**, Guangdong (CN)

(\*\*) Term: **15 Years**

\* cited by examiner

*Primary Examiner* — Charles Hanson

(21) Appl. No.: **29/586,765**

(22) Filed: **Dec. 7, 2016**

(51) **LOC (11) Cl.** ..... **03-02**

(52) **U.S. Cl.**  
USPC ..... **D3/205; D3/315**

(58) **Field of Classification Search**  
USPC ..... D3/205, 282, 283, 286, 294, 315  
CPC ..... A45C 11/00; A45C 11/008; A45C 11/26;  
A45C 2011/007; A45C 9/00; A45D 44/18  
See application file for complete search history.

(57) **CLAIM**

The ornamental design for transparent storage box for nail polish, as shown and described.

**DESCRIPTION**

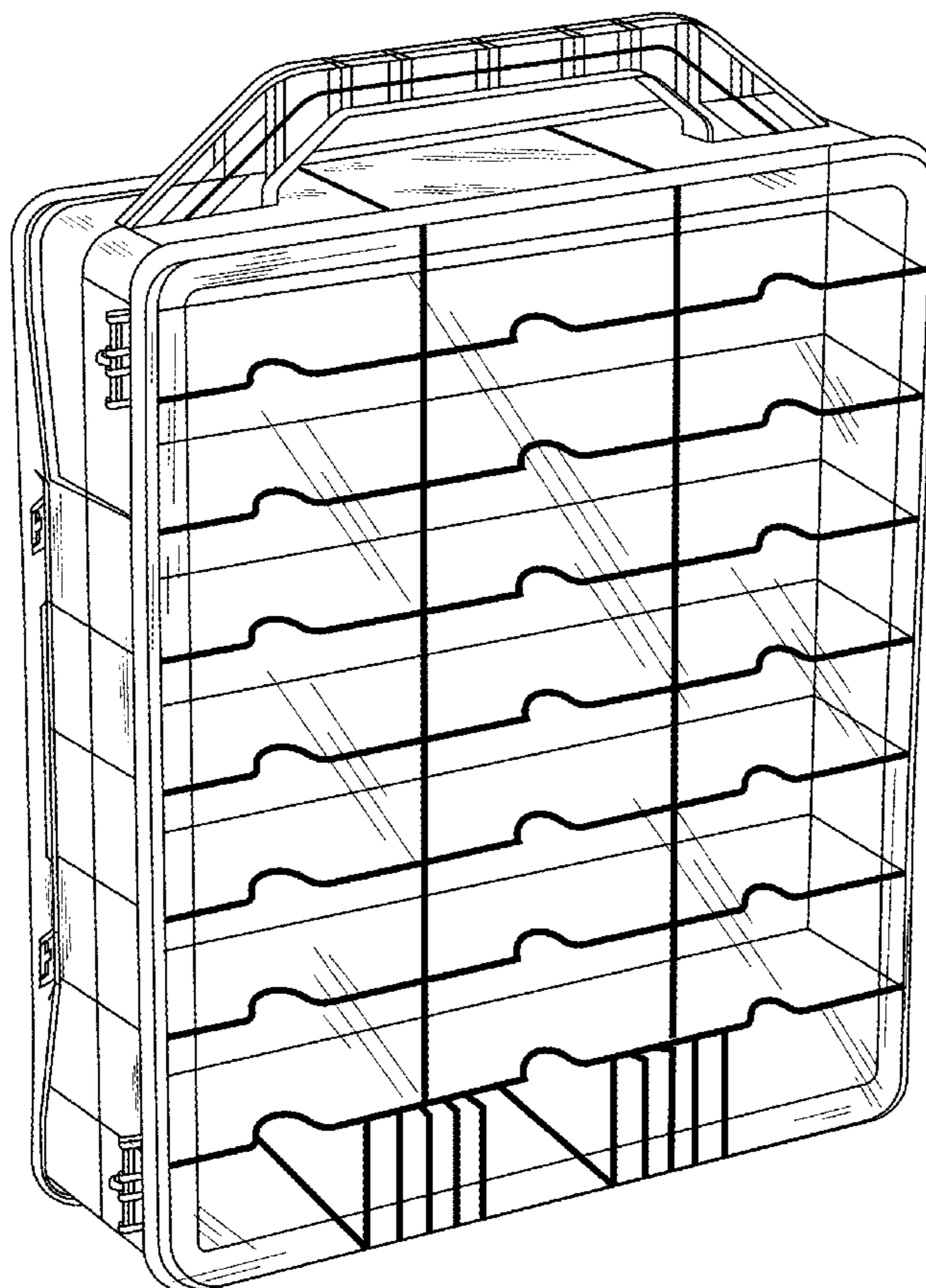
FIG. 1 is a perspective view thereof, showing my new design in a folded position;  
FIG. 2 is another perspective view thereof, showing my new design in a unfolded position;  
FIG. 3 is a front plan view thereof;  
FIG. 4 is a back plan view thereof;  
FIG. 5 is a left plan view thereof;  
FIG. 6 is a right plan view thereof;  
FIG. 7 is a top plan view thereof; and,  
FIG. 8 is a bottom plan view thereof.

(56) **References Cited**

**U.S. PATENT DOCUMENTS**

D333,568 S \* 3/1993 Dickinson ..... D3/286  
D368,159 S \* 3/1996 Calmeise ..... D3/282  
6,336,552 B1 \* 1/2002 Meier ..... B65D 43/163  
206/3  
D468,531 S \* 1/2003 Hsu ..... D3/282

**1 Claim, 8 Drawing Sheets**



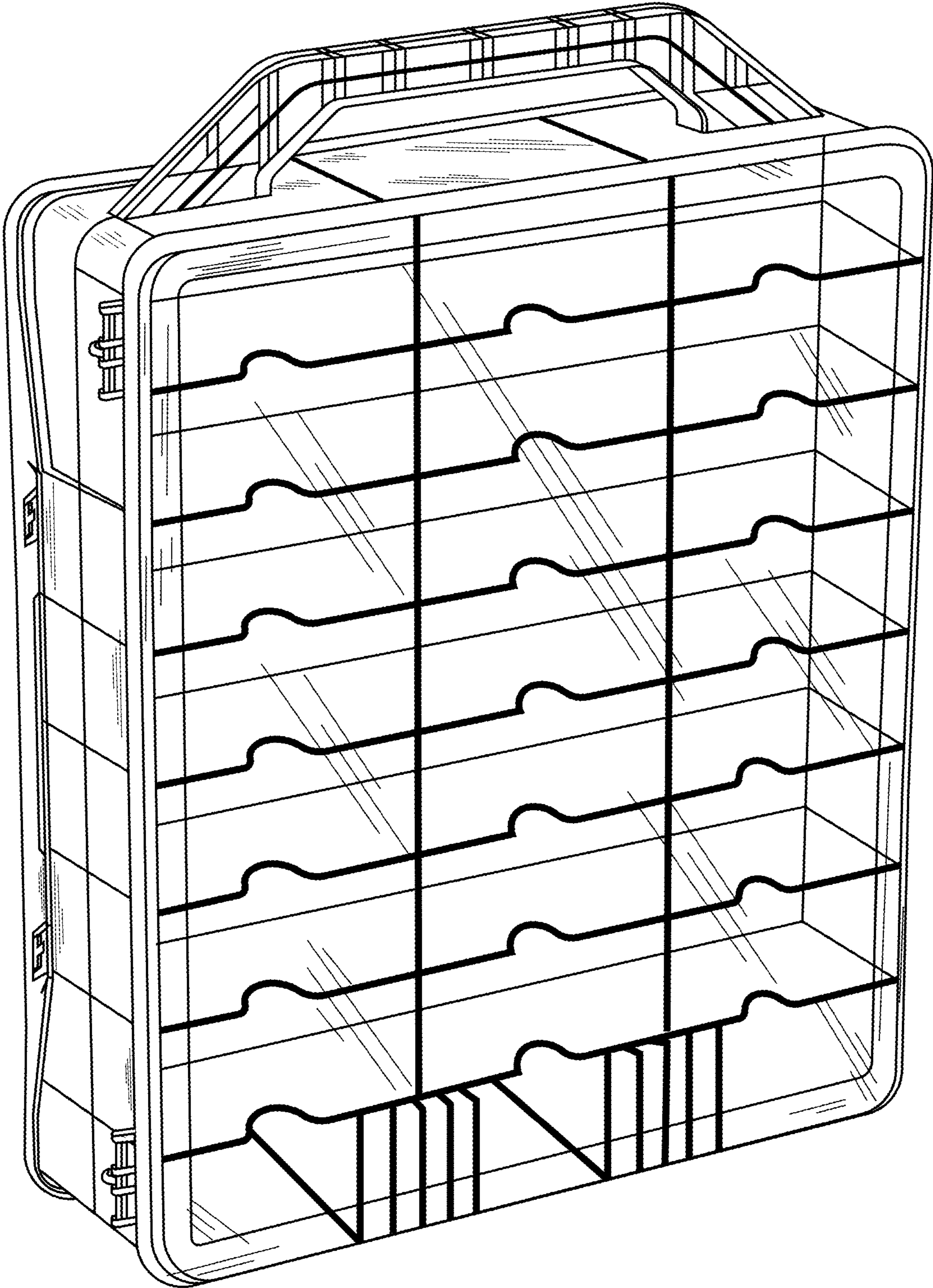


FIG.1

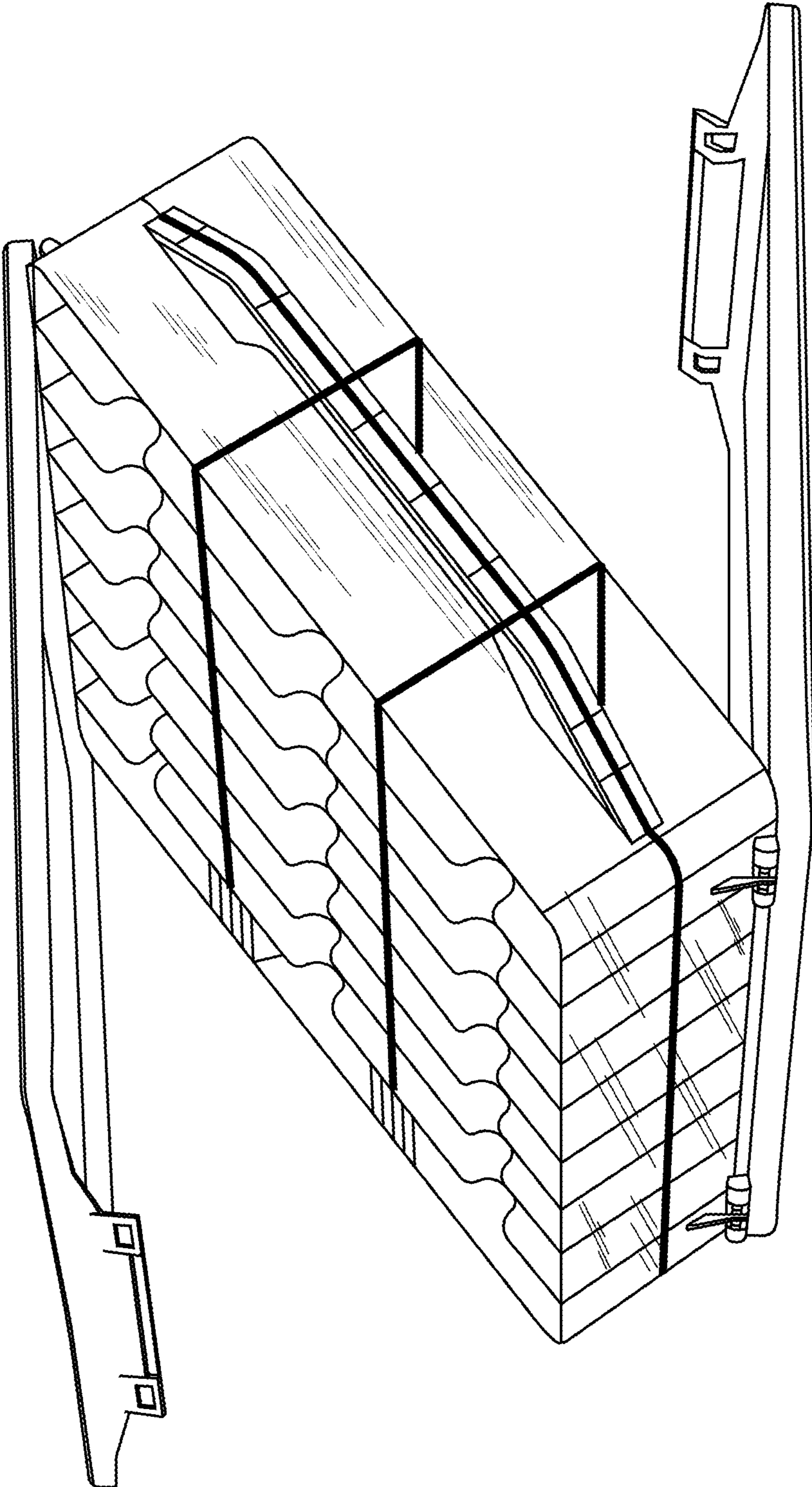


FIG.2

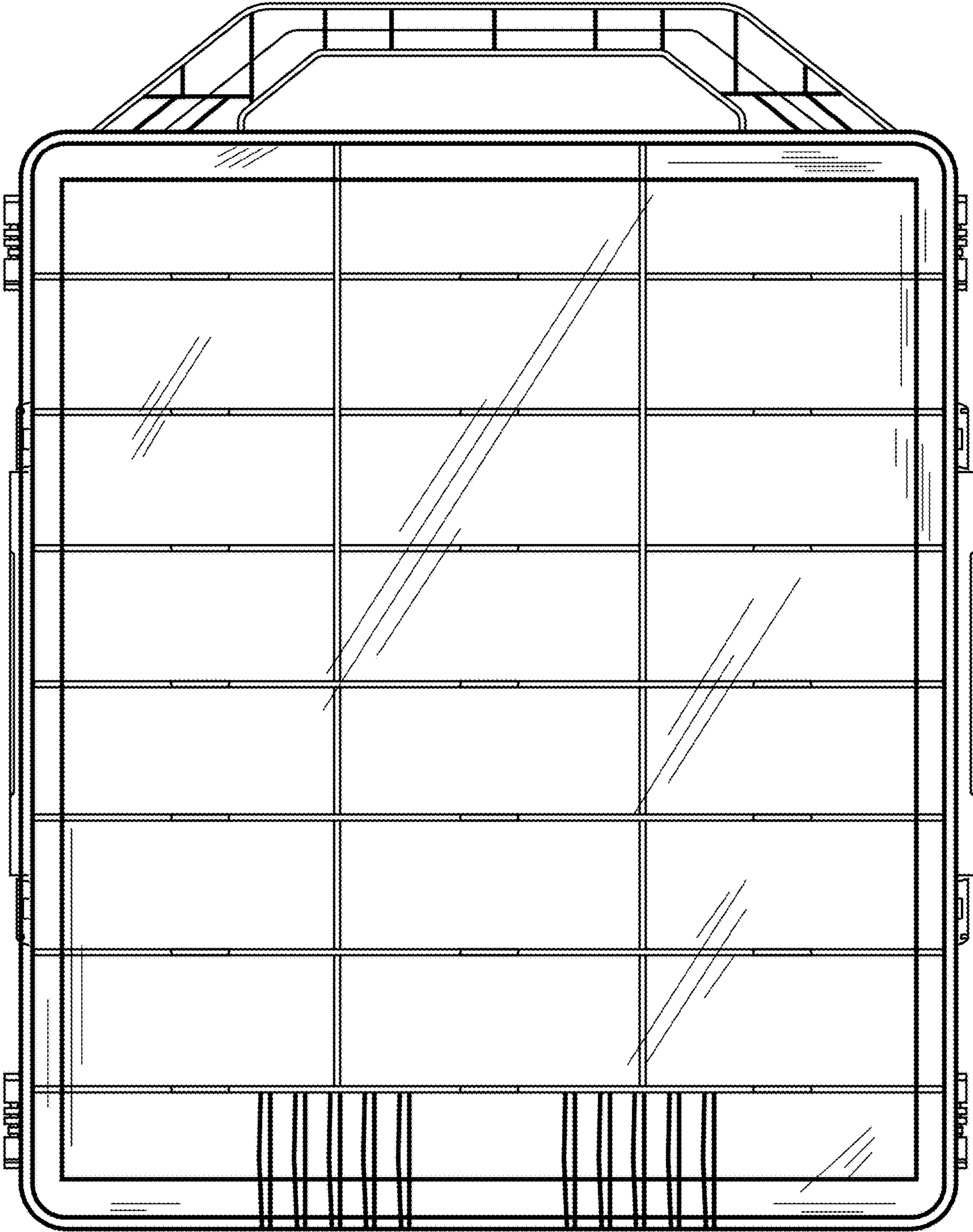


FIG.3

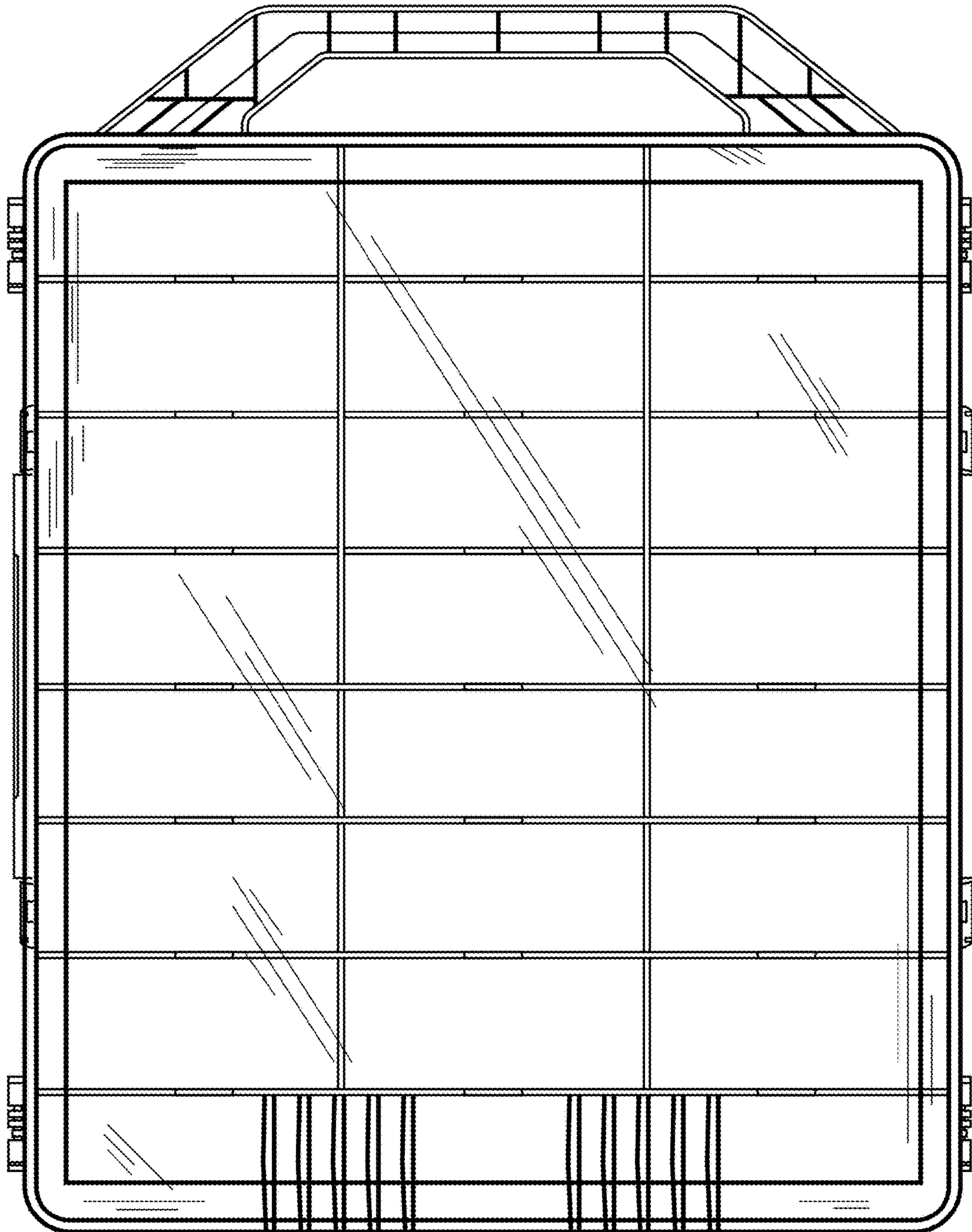


FIG.4

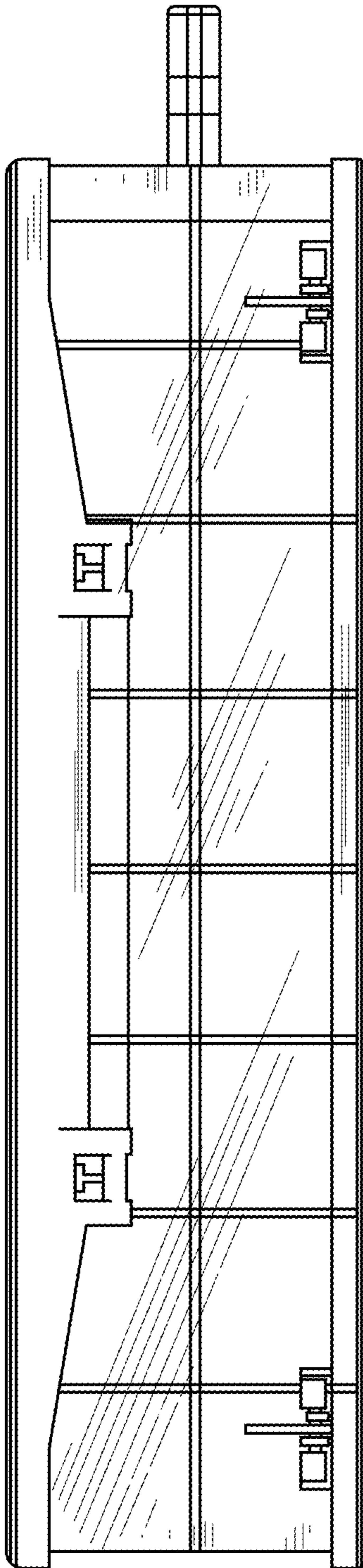


FIG.5

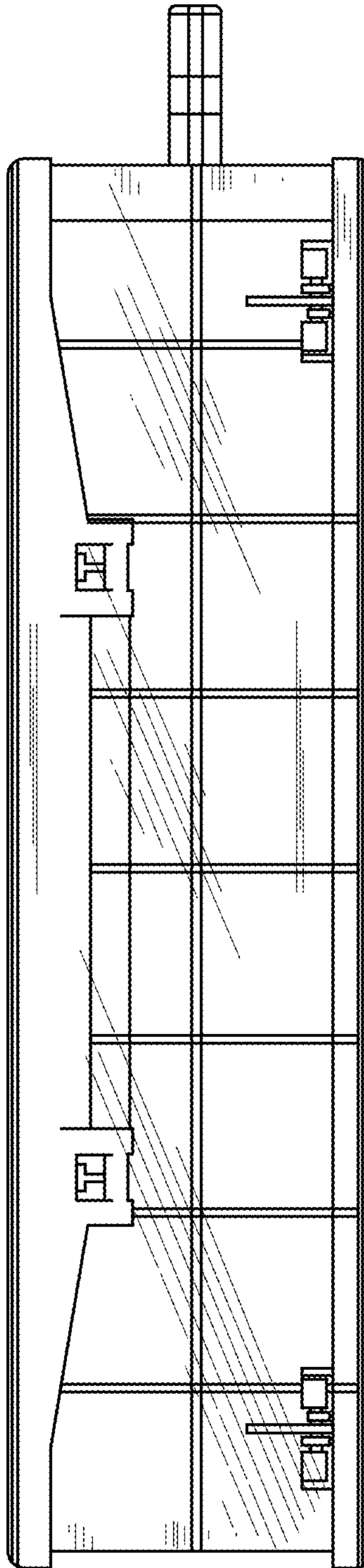


FIG.6

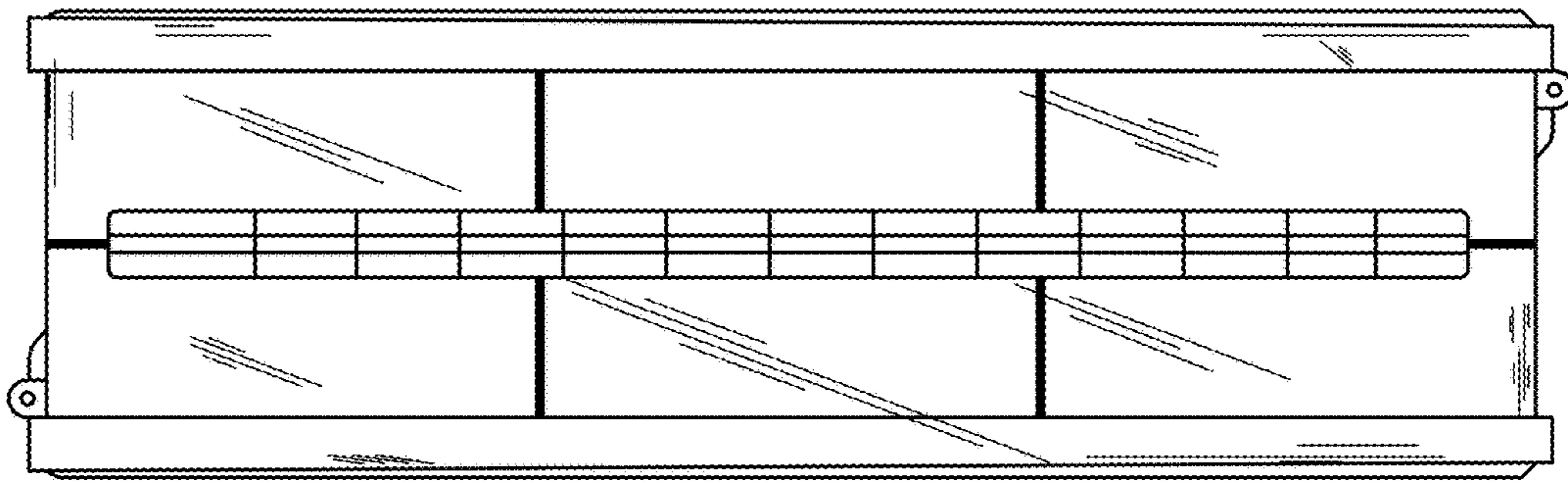


FIG.7



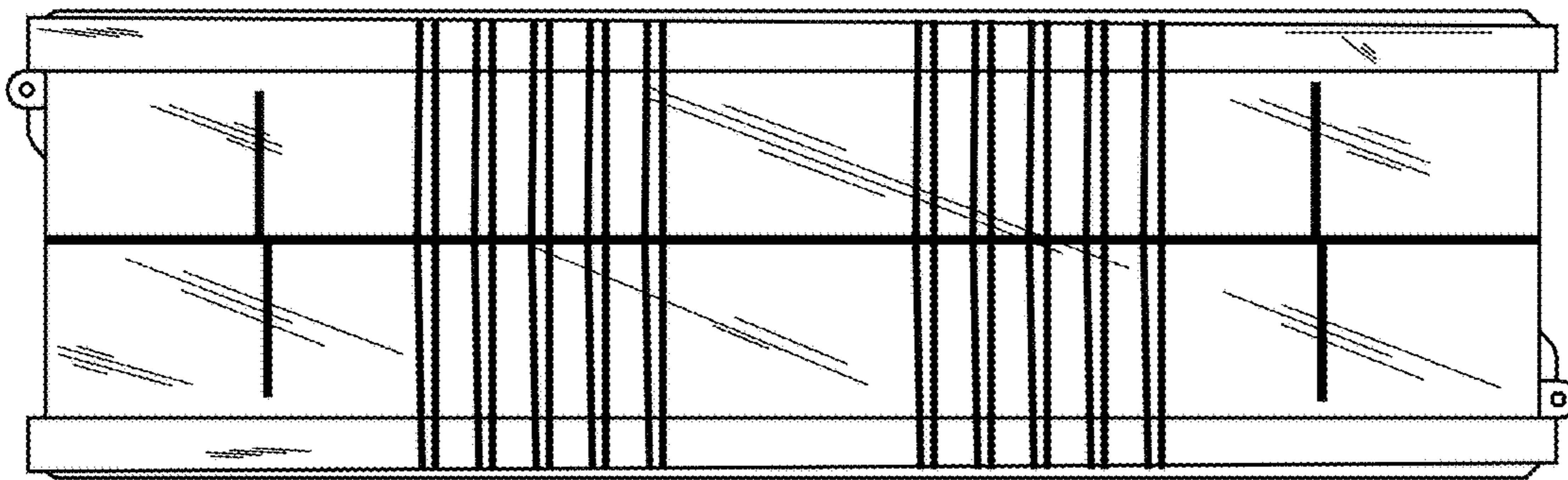


FIG.8