



US00D816322S

(12) **United States Design Patent**  
**Choe et al.**

(10) **Patent No.:** **US D816,322 S**  
(45) **Date of Patent:** **\*\* May 1, 2018**

- (54) **BLUETOOTH EARSET CASE**
- (71) Applicant: **LG ELECTRONICS INC.**, Seoul (KR)
- (72) Inventors: **Sharim Choe**, Seoul (KR); **Joonhyung Kim**, Seoul (KR); **Eunseok Choi**, Seoul (KR); **Kyubong Choi**, Seoul (KR)
- (73) Assignee: **LG ELECTRONICS INC.**, Seoul (KR)
- (\*\*) Term: **15 Years**

D553,121 S *	10/2007	Gondo .....	D14/168
D555,636 S *	11/2007	Chen .....	D14/216
D588,576 S *	3/2009	Son .....	D14/211
D621,386 S *	8/2010	Chang .....	D14/216
D641,340 S *	7/2011	Huh .....	D14/214
D698,539 S *	2/2014	Dhillon .....	D3/201
D706,743 S *	6/2014	Lukic .....	D14/204
D706,747 S *	6/2014	Yoshimura .....	D14/209.1
D722,166 S *	2/2015	Buehl .....	D14/228
D731,781 S *	6/2015	Behar .....	D3/201
D734,022 S *	7/2015	Harper .....	D3/201
D760,195 S *	6/2016	Lukic .....	D14/216
D780,153 S *	2/2017	Lukic .....	D14/204
D781,268 S *	3/2017	Magi .....	D14/223

\* cited by examiner

- (21) Appl. No.: **29/535,320**
- (22) Filed: **Aug. 5, 2015**
- (30) **Foreign Application Priority Data**  
Feb. 6, 2015 (KR) ..... 30-2015-0006603
- (51) **LOC (11) Cl.** ..... **03-01**
- (52) **U.S. Cl.**  
USPC ..... **D3/201**
- (58) **Field of Classification Search**  
USPC ... D14/155, 167, 205, 209.1, 217, 223, 225,  
D14/226, 227, 243, 249, 497; D16/208;  
D17/99; D21/513; D3/201, 273, 274,  
D3/318  
CPC ..... H04M 1/00; H04R 1/08; H04R 1/086;  
H04R 5/00; H04R 25/00  
See application file for complete search history.

*Primary Examiner* — Sandra Snapp  
*Assistant Examiner* — Holly E Thurman  
 (74) *Attorney, Agent, or Firm* — Birch, Stewart, Kolasch & Birch, LLP

(57) **CLAIM**

The ornamental design for a bluetooth earset case, as shown and described.

**DESCRIPTION**

FIG. 1 is a perspective view of a bluetooth earset case showing our new design;  
 FIG. 2 is a front view thereof;  
 FIG. 3 is a rear view thereof;  
 FIG. 4 is a left side view thereof where the right side view is a mirror image;  
 FIG. 5 is a top plan view thereof;  
 FIG. 6 is a bottom plan view thereof;  
 FIG. 7 is an exploded perspective view thereof; and,  
 FIG. 8 is a reference view thereof showing the state that the built-in charger terminal is drawn out.  
 The broken lines depict portions of the bluetooth earset case that form no part of the claimed design.

**1 Claim, 8 Drawing Sheets**

- (56) **References Cited**  
U.S. PATENT DOCUMENTS  
D296,435 S \* 6/1988 Kubota ..... D14/228  
D366,045 S \* 1/1996 Hirschhorn ..... D14/209  
D419,298 S \* 1/2000 Bramsiepe ..... D3/273  
D479,227 S \* 9/2003 Marshall ..... D14/228

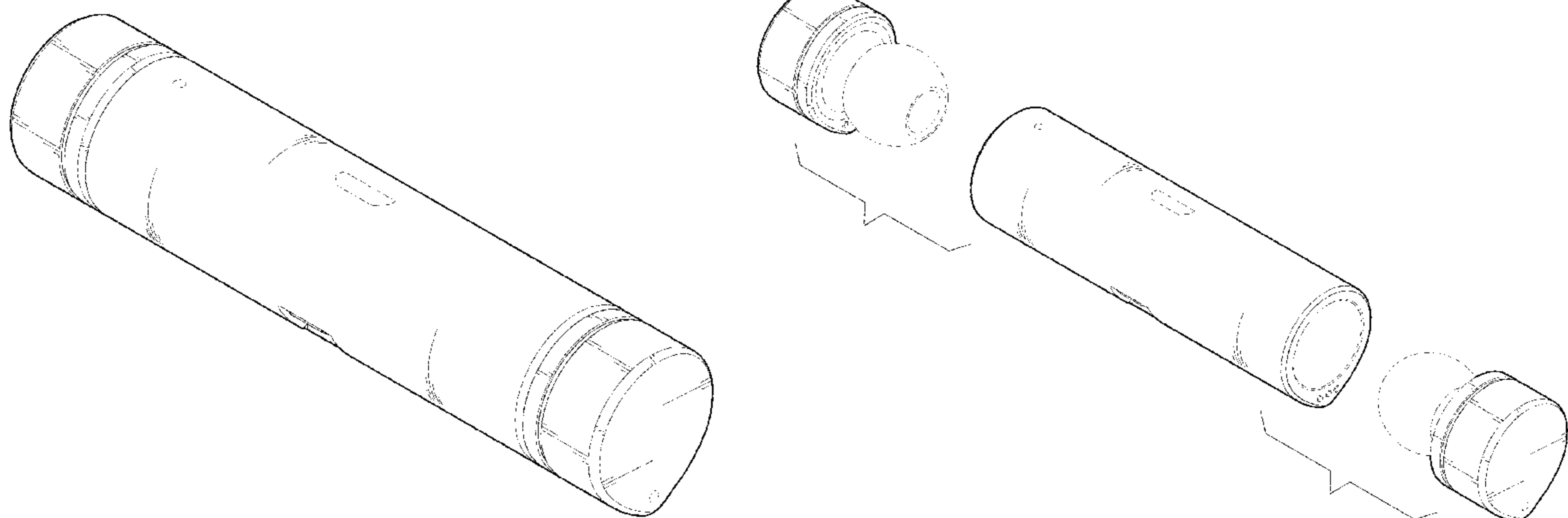


FIG. 1

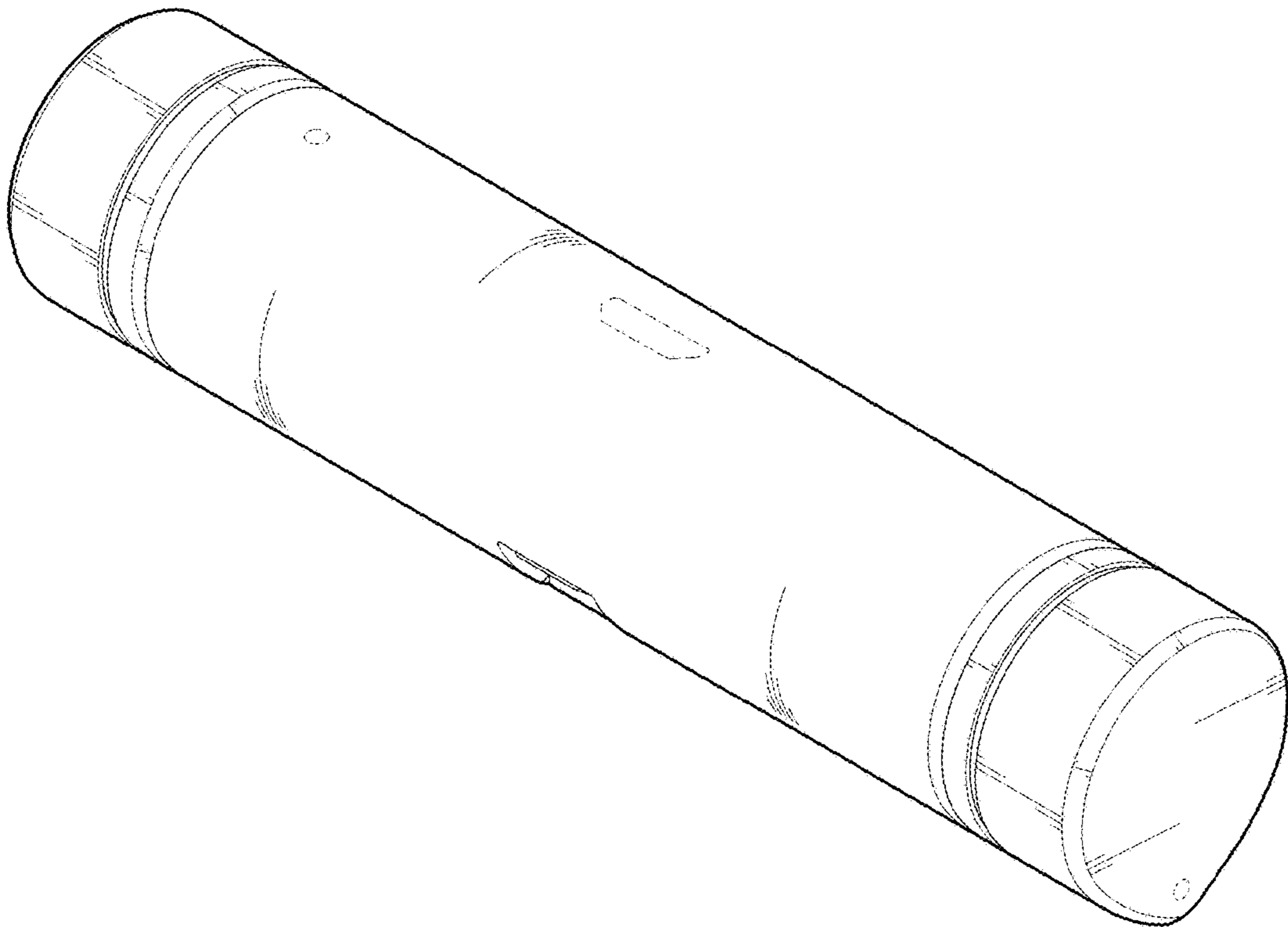


FIG. 2

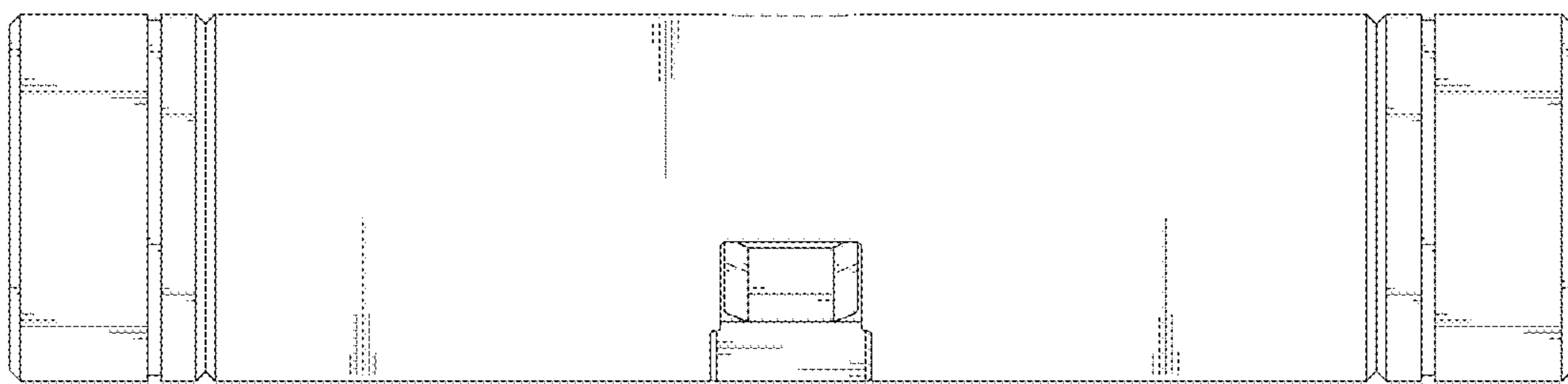


FIG. 3

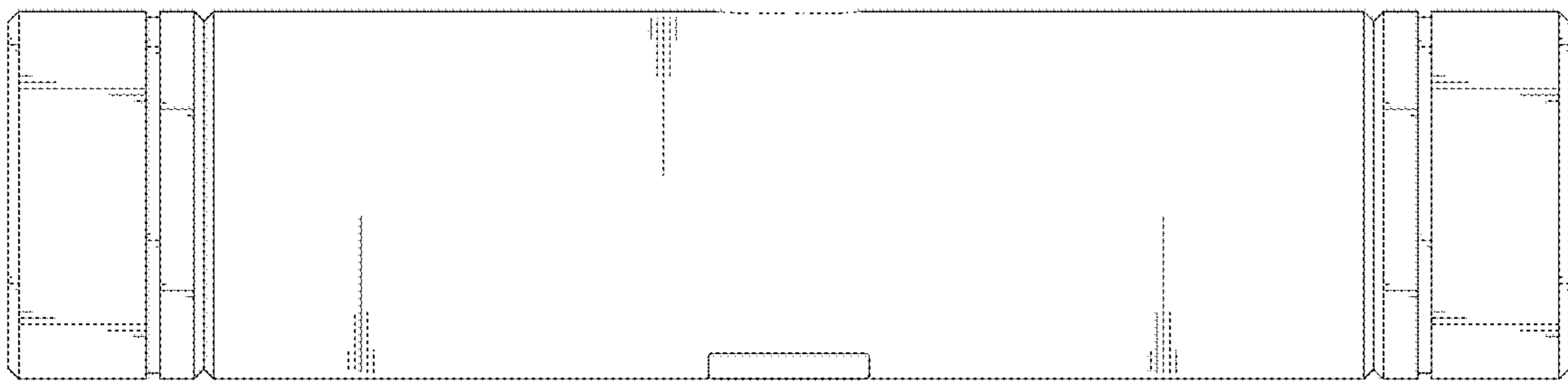


FIG. 4

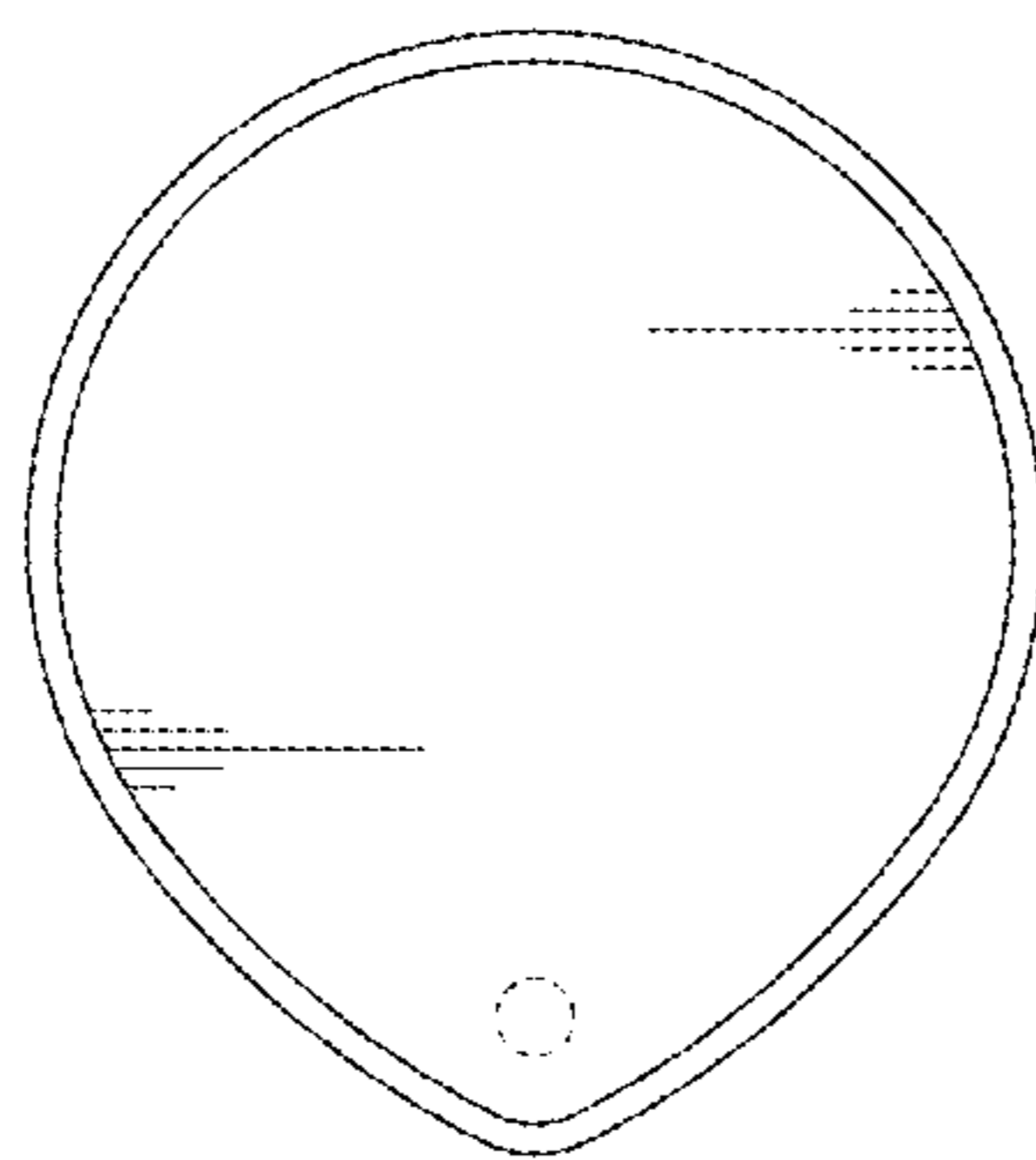


FIG. 5

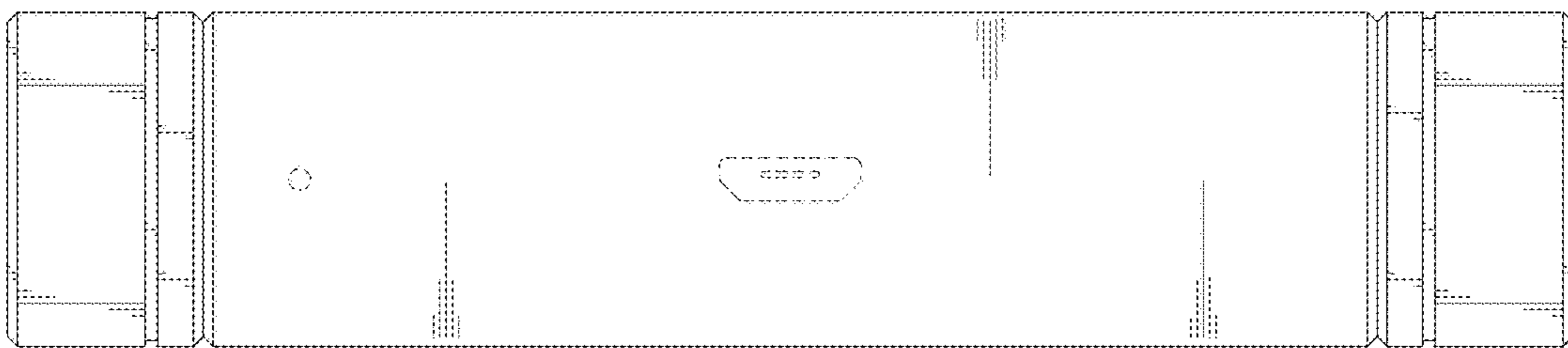


FIG. 6

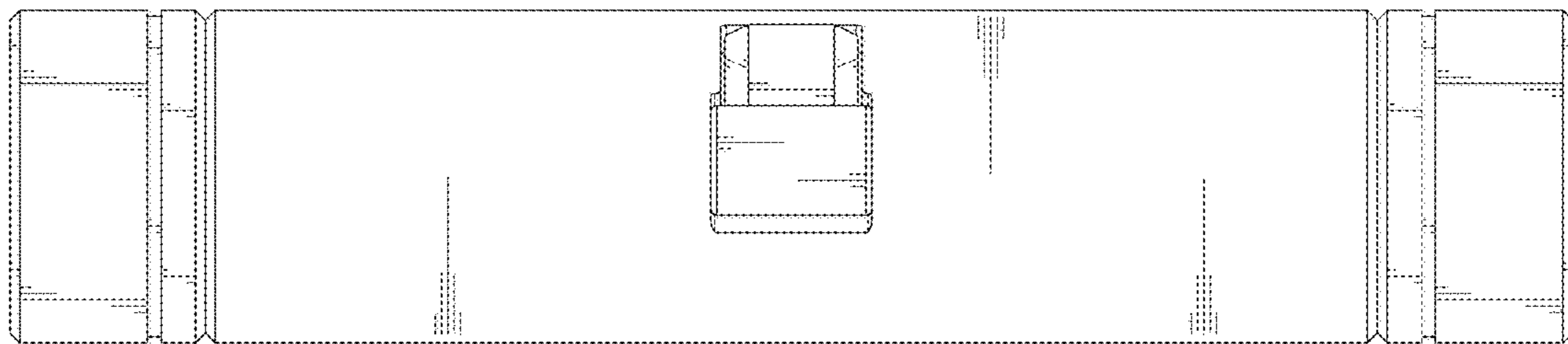


FIG. 7

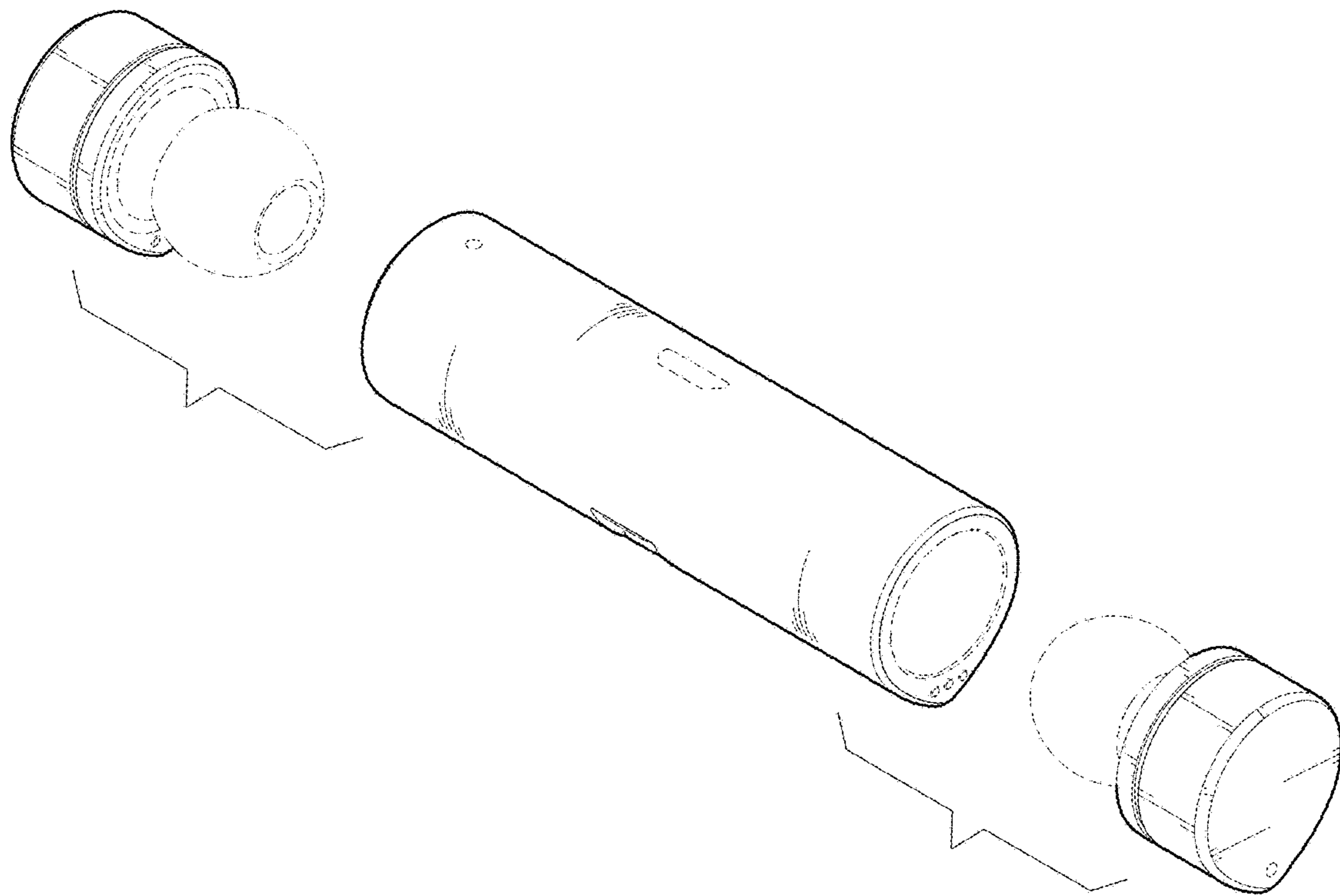




FIG. 8

