



US00D816321S

(12) **United States Design Patent** (10) **Patent No.:** **US D816,321 S**
Rieger (45) **Date of Patent:** **** May 1, 2018**

(54) **QUILTING TOOL**
(71) Applicant: **Pink Boots Quilting, LLC**, Huntsville, AL (US)
(72) Inventor: **Keril Rieger**, Madison, AL (US)
(73) Assignee: **Pink Boots Quilting, LLC**, Huntsville, AL (US)
(**) Term: **15 Years**
(21) Appl. No.: **29/551,996**
(22) Filed: **Jan. 19, 2016**
(51) **LOC (11) Cl.** **03-01**
(52) **U.S. Cl.**
USPC **D3/18; D10/64**
(58) **Field of Classification Search**
USPC D3/18, 20, 26; D19/37, 40; D10/61, 64
CPC B43L 13/20; B43L 13/201; B43L 13/203;
B43L 13/205; B43L 13/206; B43L
13/208; B43L 7/005; B43L 7/027; D05B
97/12; D05B 97/02
See application file for complete search history.

6,543,141 B1 * 4/2003 Biehl B26B 29/06
30/289
6,696,129 B1 * 2/2004 Cotton D05B 97/12
112/117
D541,680 S * 5/2007 Pepe D10/64
D542,163 S * 5/2007 Pepe D10/64
D549,115 S * 8/2007 Tucker D10/64
D549,954 S * 9/2007 Jirak D3/18
D577,617 S * 9/2008 Tucker D10/64
D601,442 S * 10/2009 Haren D10/64
D608,668 S * 1/2010 Tucker D10/64
D640,941 S * 7/2011 Tucker D10/64
D640,942 S * 7/2011 Tucker D10/64
D640,943 S * 7/2011 Tucker D10/64
D644,541 S * 9/2011 Schrader D10/64

(Continued)

OTHER PUBLICATIONS

Weeks Ringle and Bill Kerr of Modern Quilt Studio; The Art of the Quilt A 2017 Activity Calendar with instructions for Picnic quilt pattern; 2016.

Primary Examiner — John Windmuller
Assistant Examiner — Steven J Czyz
(74) *Attorney, Agent, or Firm* — Jeremy A Smith; Bradley Arant Boult Cummings LLP

(57) **CLAIM**

The ornamental design for a quilting tool, as shown and described.

DESCRIPTION

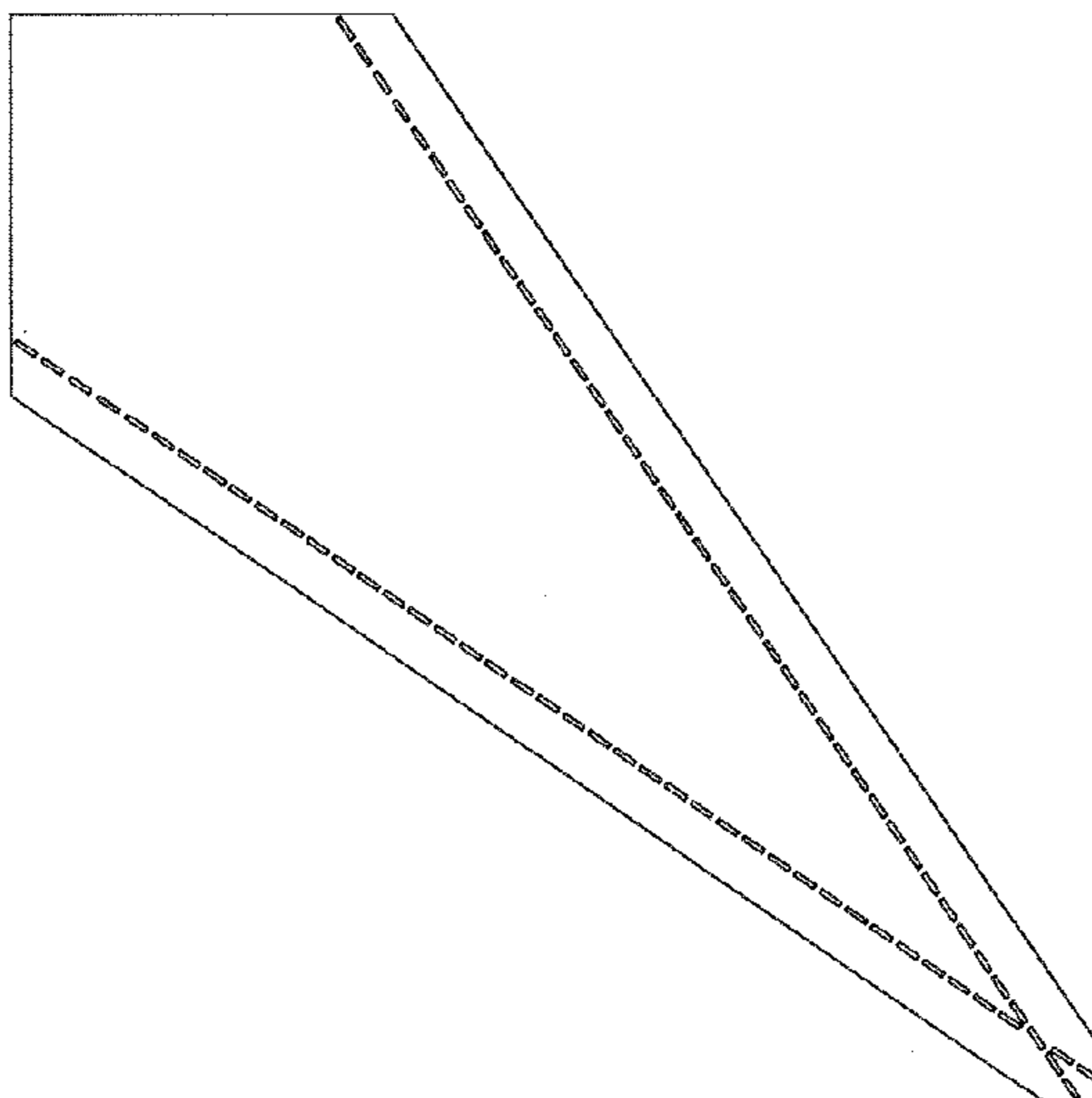
FIG. 1 is a left perspective view of a quilting tool;
FIG. 2 is a right perspective view thereof;
FIG. 3 is a top view thereof, with the bottom being a mirror image thereof;
FIG. 4 is a front perspective view thereof; and,
FIG. 5 is a rear perspective view thereof.
The broken lines in the figures form no part of the claimed design.

1 Claim, 2 Drawing Sheets

(56) **References Cited**

U.S. PATENT DOCUMENTS

D311,873 S * 11/1990 Arend D10/71
5,272,995 A * 12/1993 Harger A47G 9/0284
112/1
D359,615 S * 6/1995 Broy D3/18
5,557,996 A * 9/1996 Reber B25H 7/02
30/292
D374,404 S * 10/1996 Kidd D10/64
5,638,605 A * 6/1997 Sligar D05B 97/12
112/475.08
5,791,062 A * 8/1998 Walker D05B 97/12
33/1 B
6,276,070 B1 * 8/2001 Hawley B43L 7/033
33/1 G



(56)

References Cited

U.S. PATENT DOCUMENTS

8,186,072 B1 * 5/2012 Nethery B43L 13/205
 33/11
 D684,487 S * 6/2013 Tucker D10/64
 D688,574 S * 8/2013 Tucker D10/64
 D724,966 S * 3/2015 Tucker D10/64
 D728,390 S * 5/2015 Tucker D10/64
 D729,873 S * 5/2015 Breuker D19/37
 D753,219 S * 4/2016 Needham D19/40
 D778,181 S * 2/2017 Colleran D10/64
 2003/0066216 A1 * 4/2003 deCarteret D05B 97/12
 38/102
 2004/0049935 A1 * 3/2004 Tandy D05B 97/12
 33/563
 2004/0244664 A1 * 12/2004 Srebro D04D 7/02
 112/475.18
 2007/0220769 A1 * 9/2007 Oehlke D05B 97/12
 33/563
 2013/0014681 A1 * 1/2013 Kennedy D05B 11/00
 112/475.08
 2015/0267334 A1 * 9/2015 Works D05B 97/12
 33/566
 2016/0279819 A1 * 9/2016 McCormick B26B 25/005

* cited by examiner

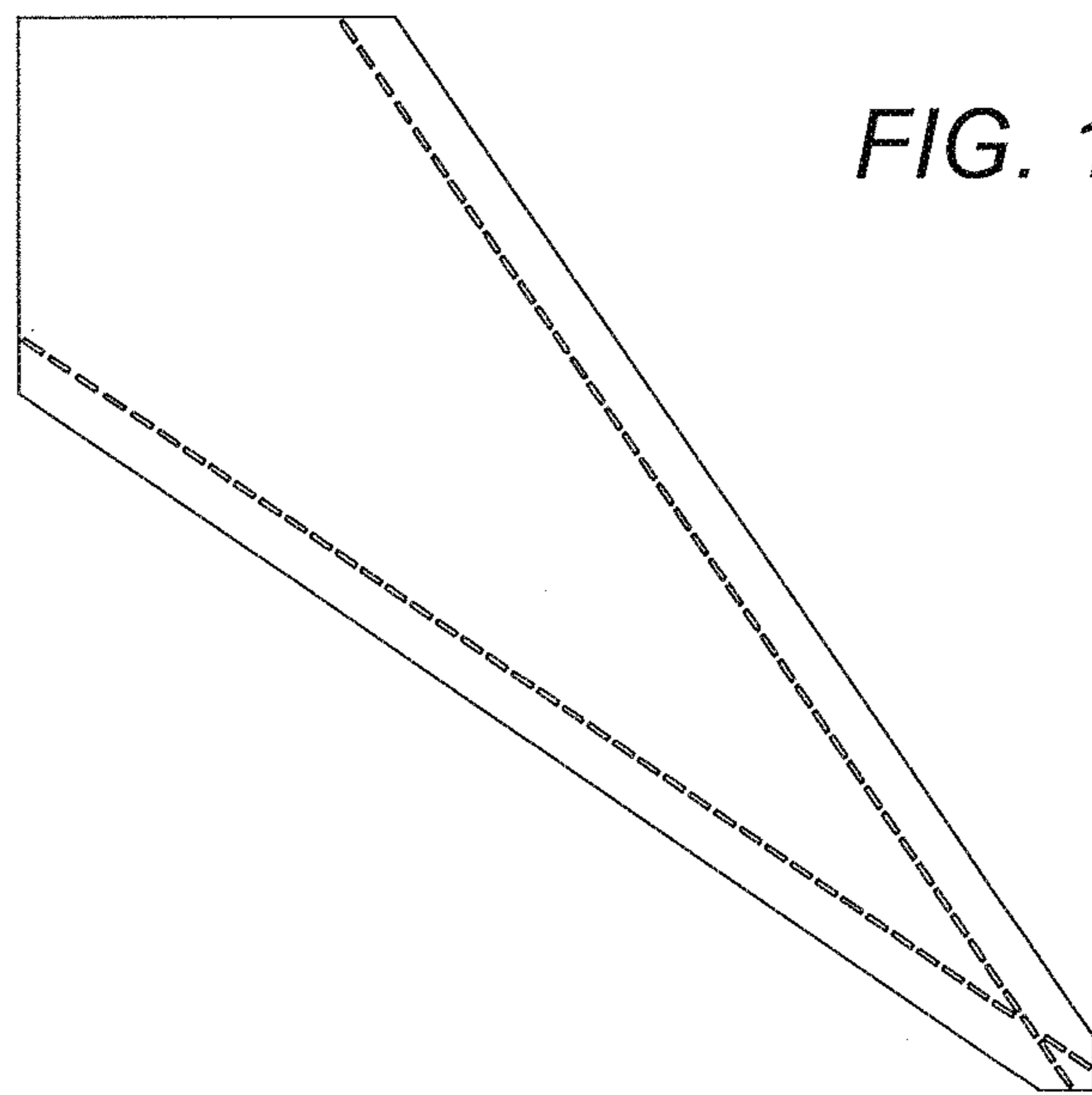


FIG. 1

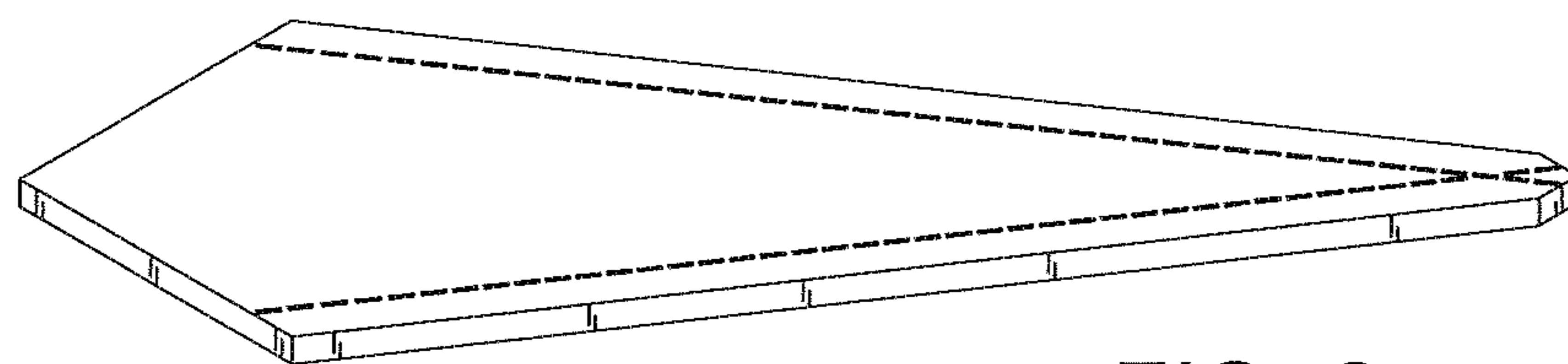


FIG. 2

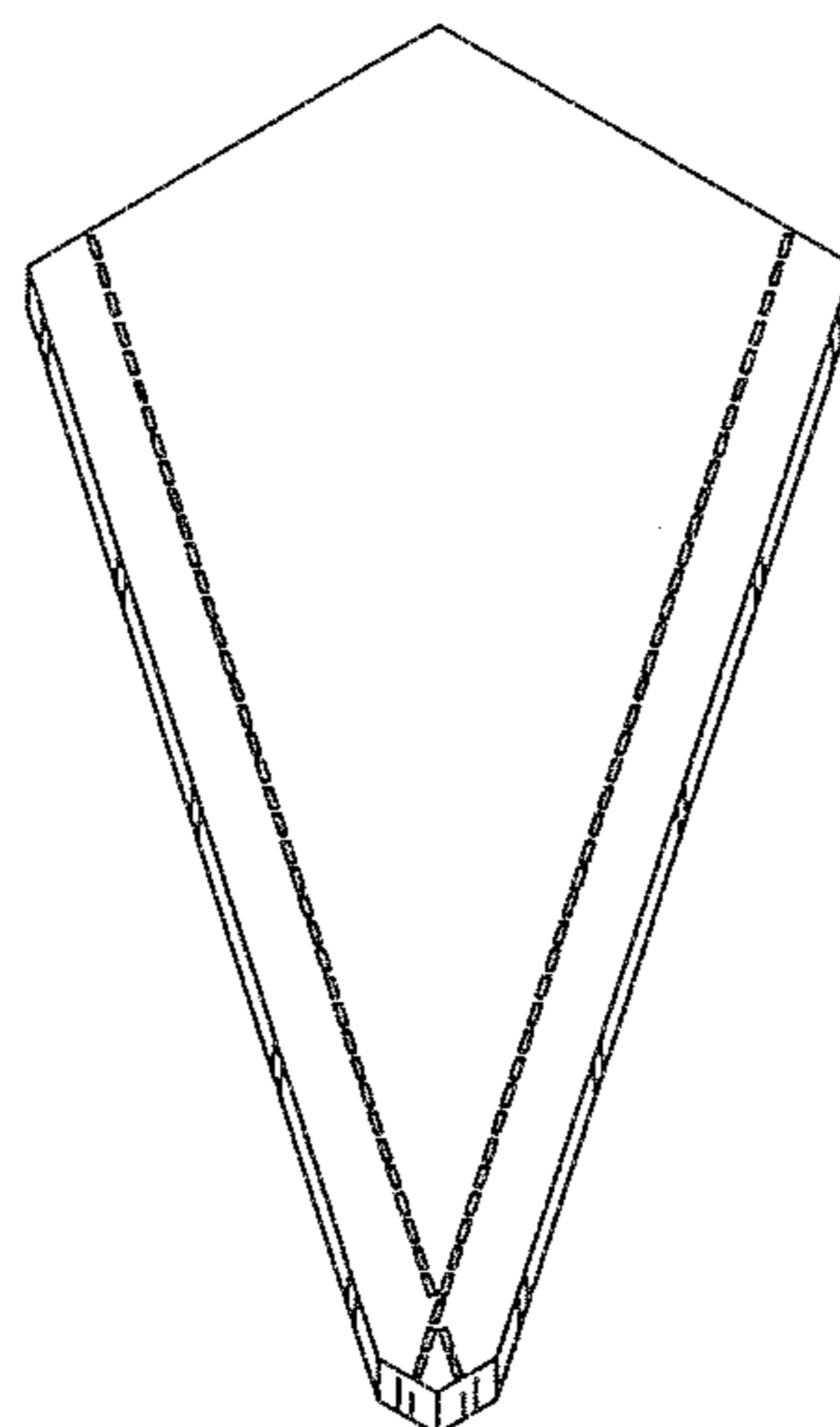


FIG. 3

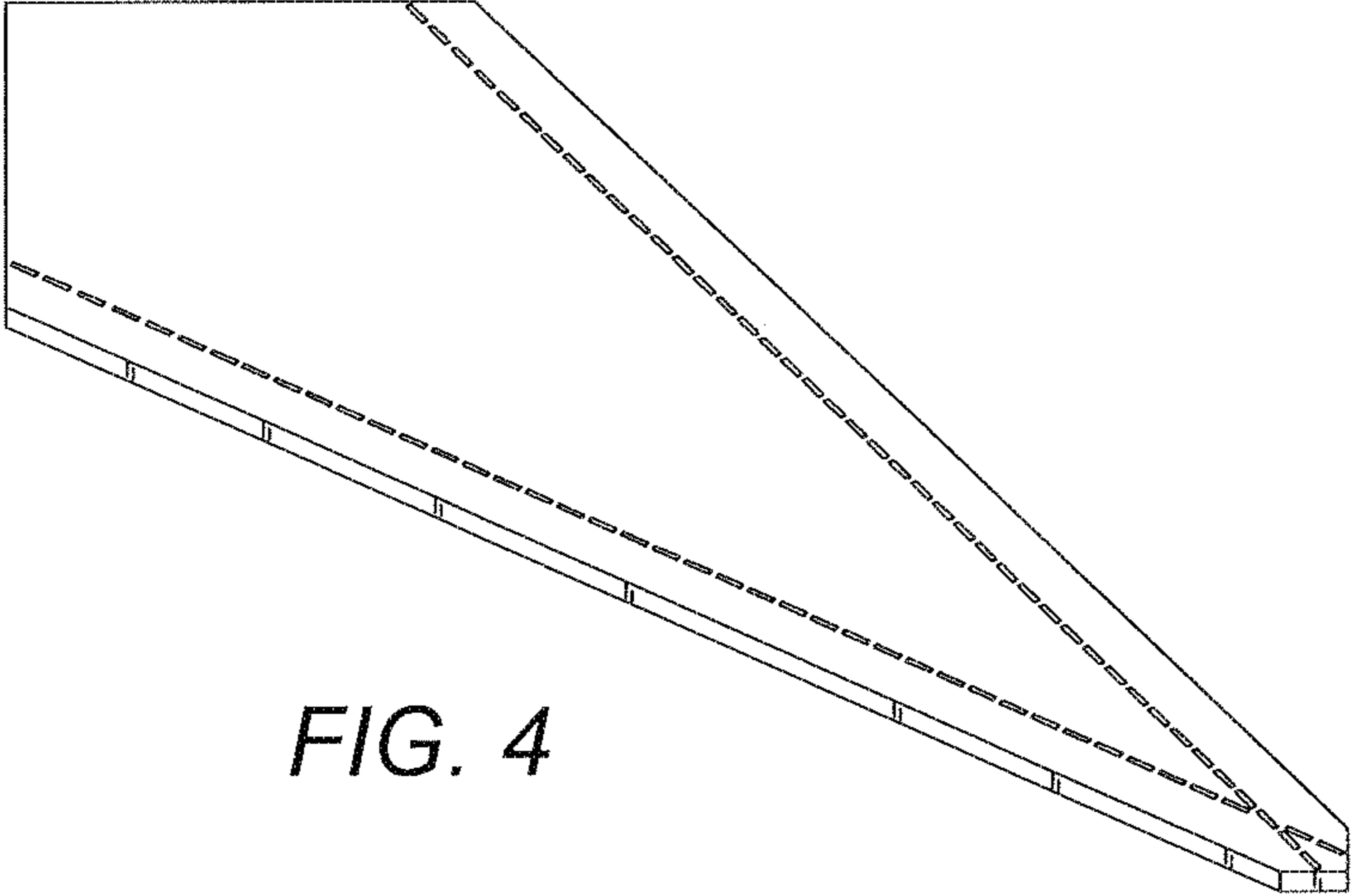


FIG. 4

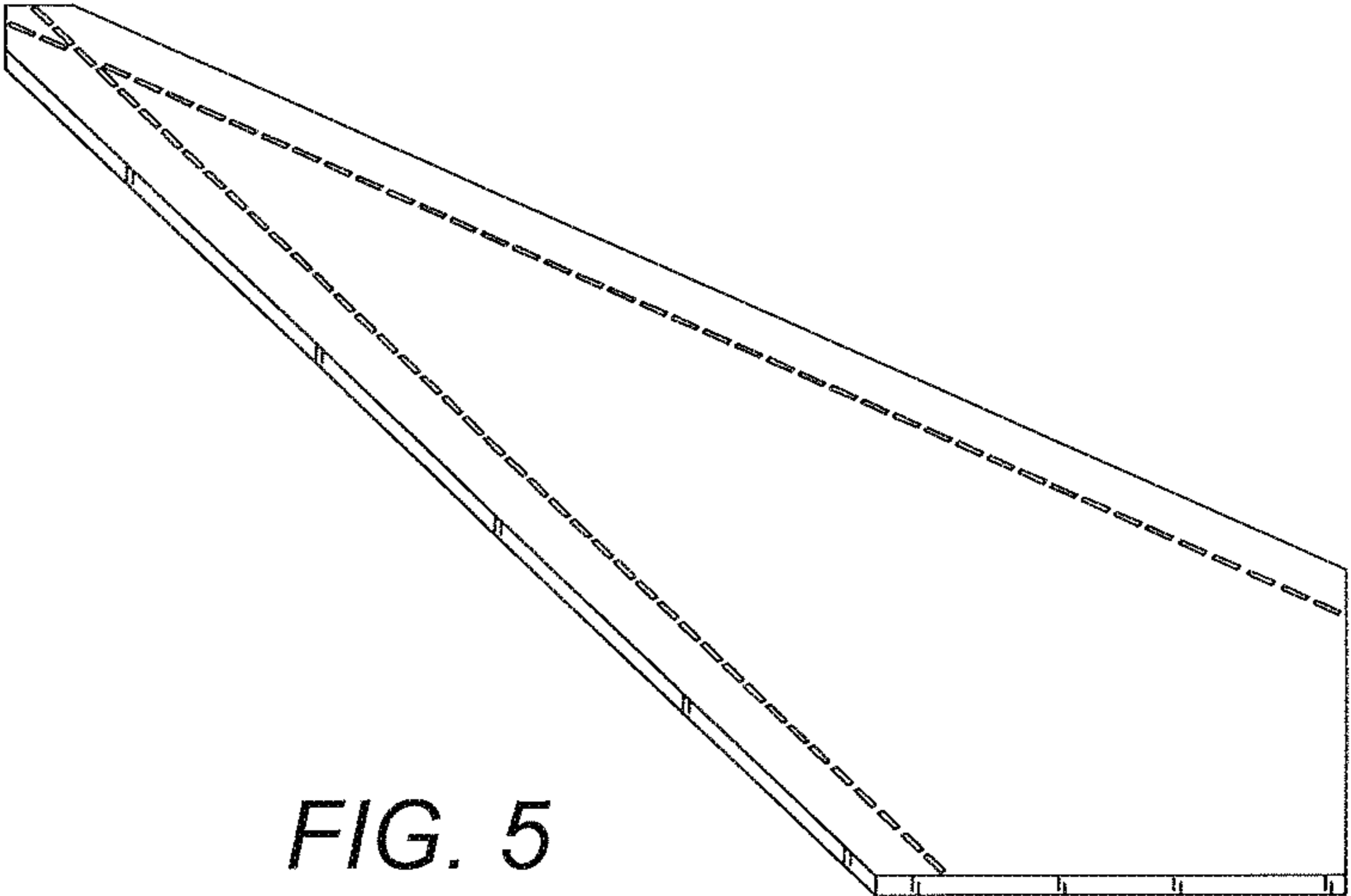


FIG. 5