



US00D816319S

(12) **United States Design Patent**
Cooper

(10) **Patent No.:** **US D816,319 S**

(45) **Date of Patent:** **** May 1, 2018**

(54) **LACING ELEMENT**

(71) Applicant: **NIKE, Inc.**, Beaverton, OR (US)

(72) Inventor: **Aaron Cooper**, Portland, OR (US)

(73) Assignee: **NIKE, Inc.**, Beaverton, OR (US)

(**) Term: **15 Years**

(21) Appl. No.: **29/629,692**

(22) Filed: **Dec. 14, 2017**

(51) **LOC (11) Cl.** **02-99**

(52) **U.S. Cl.**
USPC **D2/978**; D2/946

(58) **Field of Classification Search**
USPC D2/902, 906-908, 923, 944, 946, 969,
D2/972-975, 978; D5/7, 15, 46, 47, 49
CPC ... A43B 13/181; A43B 13/141; A43B 13/186;
A43B 13/188; A43B 23/00; A43B 23/02;
A43B 5/00; A43B 23/26; A43B 1/04;
A43B 11/14; A43B 7/00; A43B 3/12;
A43C 3/00; A43C 5/00; A43C 7/00;
A43C 11/004

See application file for complete search history.

(56) **References Cited**

U.S. PATENT DOCUMENTS

105,236 A *	7/1870	O'Hara	A43C 7/00
				24/712.7
3,193,950 A *	7/1965	Liou	A43C 11/004
				24/713.9
D346,897 S	5/1994	Morris et al.		
D349,806 S	8/1994	Minkin		
D354,164 S	1/1995	Werman		
D354,165 S	1/1995	Werman		
D357,576 S *	4/1995	Steinweis	D2/978
D359,157 S	6/1995	Cintron		
D367,165 S	2/1996	Brooks et al.		
D367,354 S	2/1996	Brooks et al.		
D368,361 S	4/1996	Brooks et al.		

D368,362 S	4/1996	Werman		
D369,019 S	4/1996	Brooks et al.		
D376,684 S	12/1996	Brooks et al.		
D378,550 S	3/1997	Morris		
D379,865 S	6/1997	Hewett		
D380,598 S	7/1997	Brooks et al.		
D380,599 S	7/1997	Brooks et al.		
D381,798 S	8/1997	Cyr		
D385,991 S	11/1997	Brooks et al.		
D394,745 S *	6/1998	Egelja	D2/946

(Continued)

OTHER PUBLICATIONS

Nike Footwear Catalog, 1994 Fall Footwear, p. 28, published Nov. 1993, NIKE, Inc., USA.

(Continued)

Primary Examiner — Dominic V Simone

(74) *Attorney, Agent, or Firm* — Banner & Witcoff, Ltd.

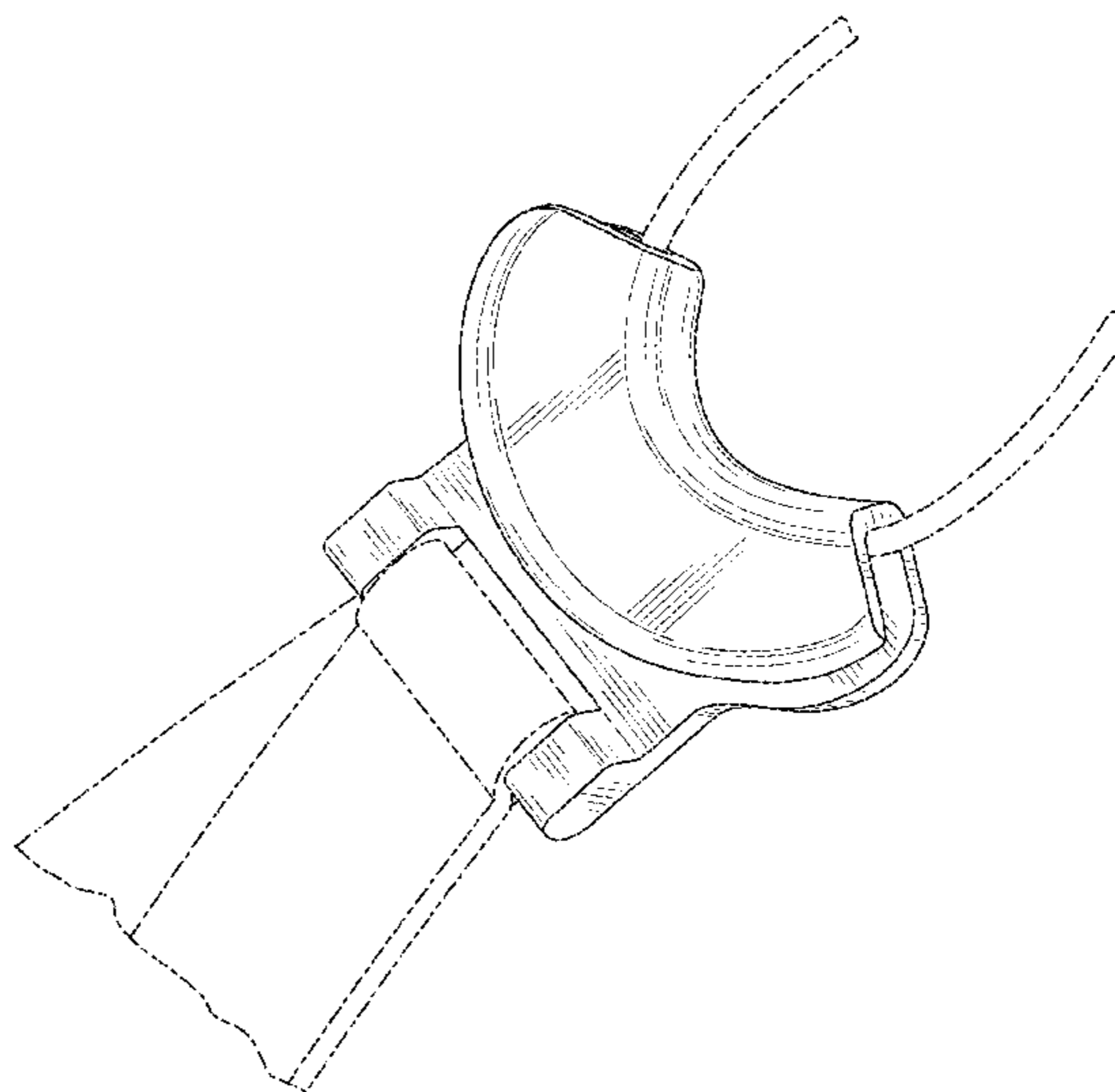
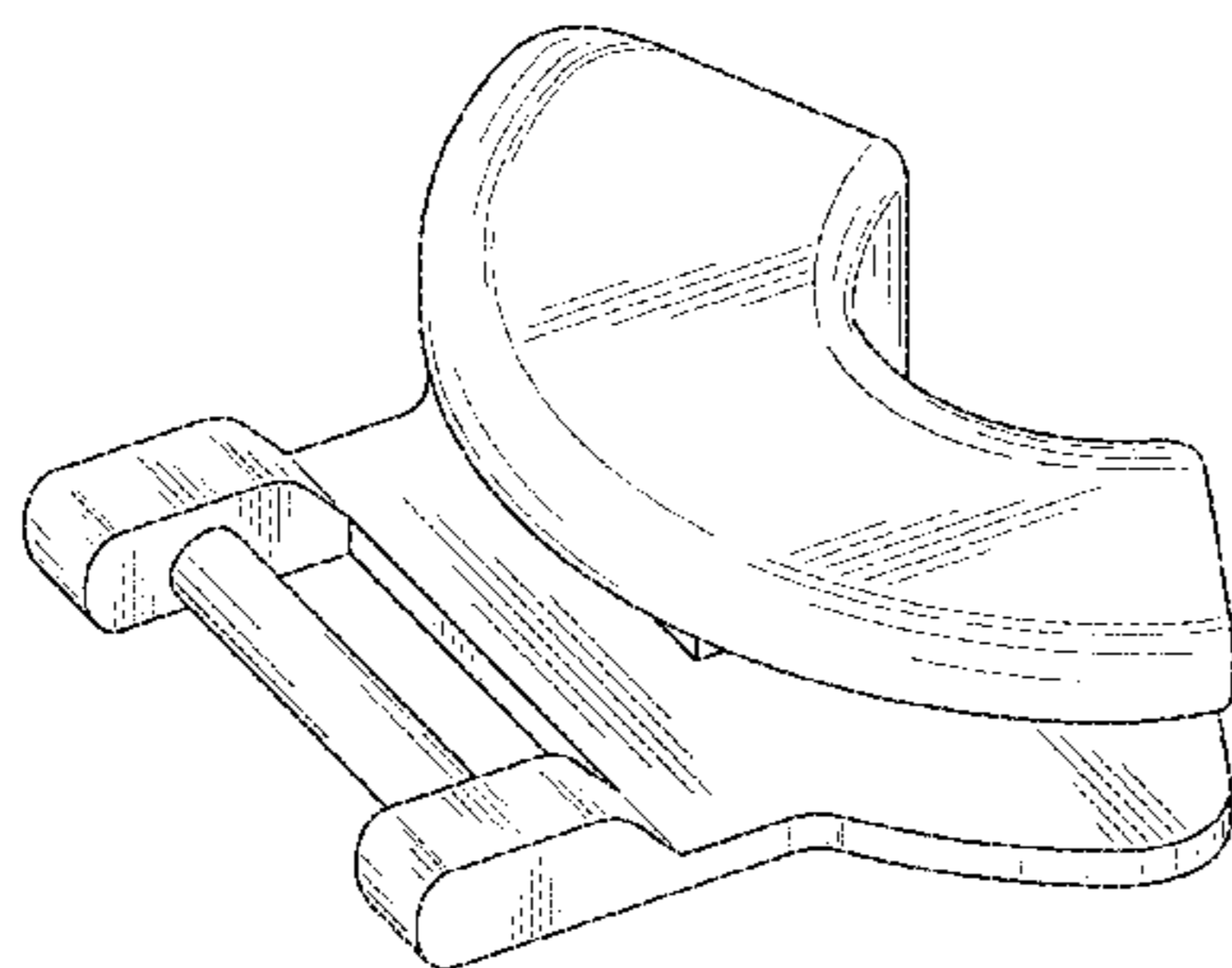
(57) **CLAIM**

The ornamental design for a lacing element, as shown and described.

DESCRIPTION

FIG. 1 is a front perspective view of a lacing element showing my new design;
FIG. 2 is a front view thereof;
FIG. 3 is a rear view thereof;
FIG. 4 is a side view thereof;
FIG. 5 is an opposite side view thereof;
FIG. 6 is a top view thereof;
FIG. 7 is a bottom view thereof;
FIG. 8 is a view of the claimed design shown in a use state with environmental features; and,
FIG. 9 is an additional front perspective view thereof.
The broken lines shown in FIG. 8 representing an exemplary lacing element in a condition for use are for environmental purposes only and form no part of the claimed design.

1 Claim, 4 Drawing Sheets



(56)

References Cited

U.S. PATENT DOCUMENTS

D399,044 S	10/1998	Hamel	
D437,675 S	2/2001	Dahlsten	
D485,051 S *	1/2004	Bradford	D2/969
D492,473 S	7/2004	White	
D510,183 S *	10/2005	Tresser	D2/946
D540,520 S	4/2007	Belley et al.	
D611,688 S *	3/2010	Grenet	D2/946
D654,668 S	2/2012	Van Zyll De Jong et al.	
D737,043 S *	8/2015	Miner	D2/973
D751,804 S *	3/2016	Van Assche	D2/978
D805,757 S *	12/2017	Pierone	D2/973
D805,758 S *	12/2017	Pierone	D2/973

OTHER PUBLICATIONS

Nike Footwear Catalog, 1994 Fall Footwear, p. 142, published Nov. 1993, NIKE, Inc., USA.

Nike Footwear Catalog, 1995 Late Spring Footwear, p. 11, published Sep. 1994, NIKE, Inc., USA.
Nike Footwear Catalog, 1995 Holiday Footwear, p. 5, published Mar. 1995, NIKE, Inc., USA.
Nike Footwear Catalog, 1995 Holiday Footwear, p. 83, published Mar. 1995, NIKE, Inc., USA.
Nike Footwear Catalog, 1996 Spring Footwear, p. 147, published Jun. 1995, NIKE, Inc., USA.
Nike Footwear Catalog, 1997 Late Spring Footwear, p. 9, published Sep. 1996, NIKE, Inc., USA.
Nike Footwear Catalog, 2007 Spring Footwear, p. 34, published Jun. 2006, NIKE, Inc., USA.
Nike Footwear Catalog, 2010 Fall Performance Footwear, p. 113, published Nov. 2009, NIKE, Inc., USA.
Nike Footwear Catalog, 2011 Fall Men's Sportswear Footwear, p. 11, published Nov. 2010, NIKE, Inc., USA.
Nike Footwear Catalog, 2013 Fall Mens Performance Footwear, p. 12, published Nov. 2012, NIKE, Inc., USA.
Nike Footwear Catalog, 2017 Spring City Specialty Footwear Energy NA, p. 51, published May 2016, NIKE, Inc., USA.

* cited by examiner

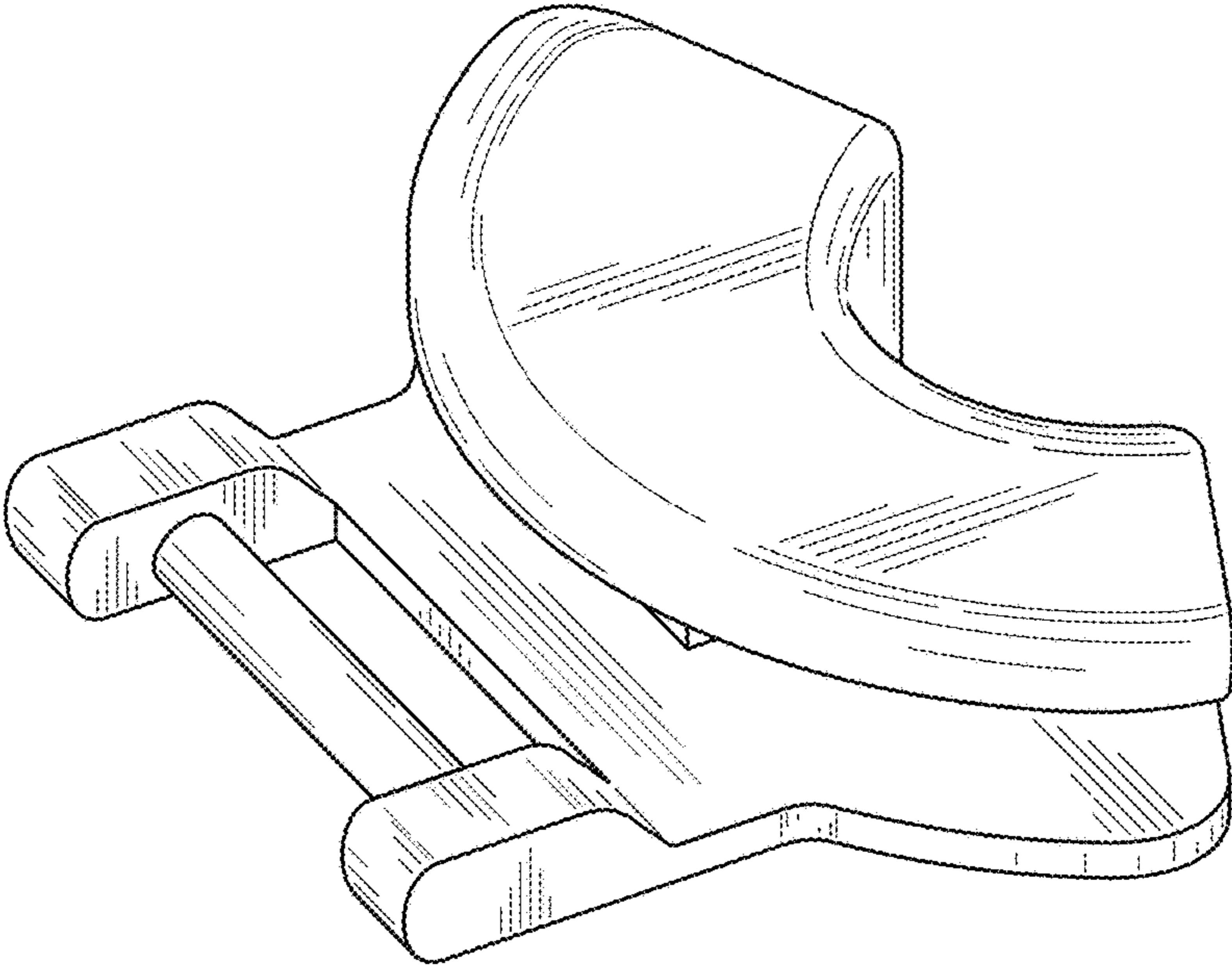


FIG. 1

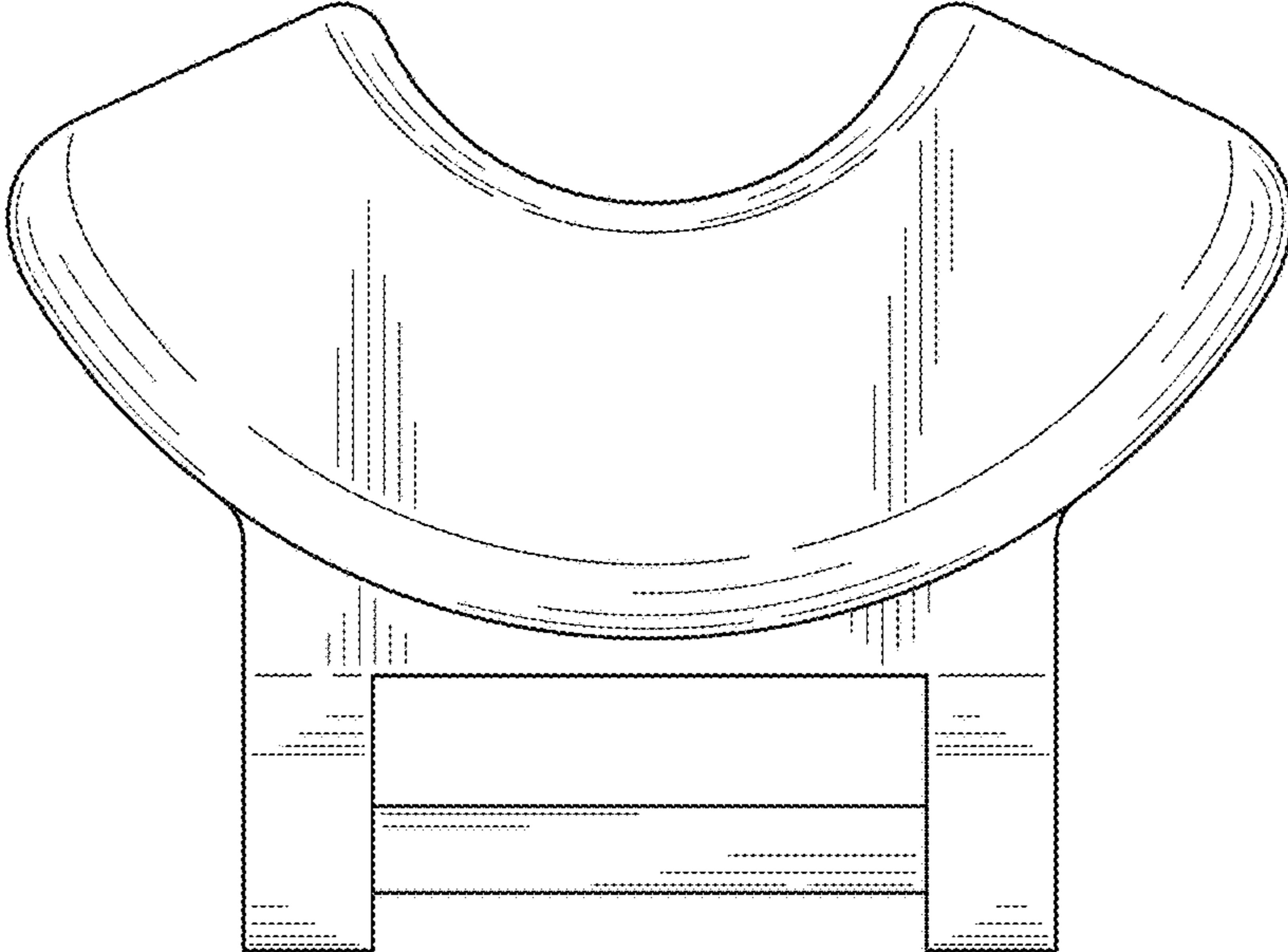


FIG. 2

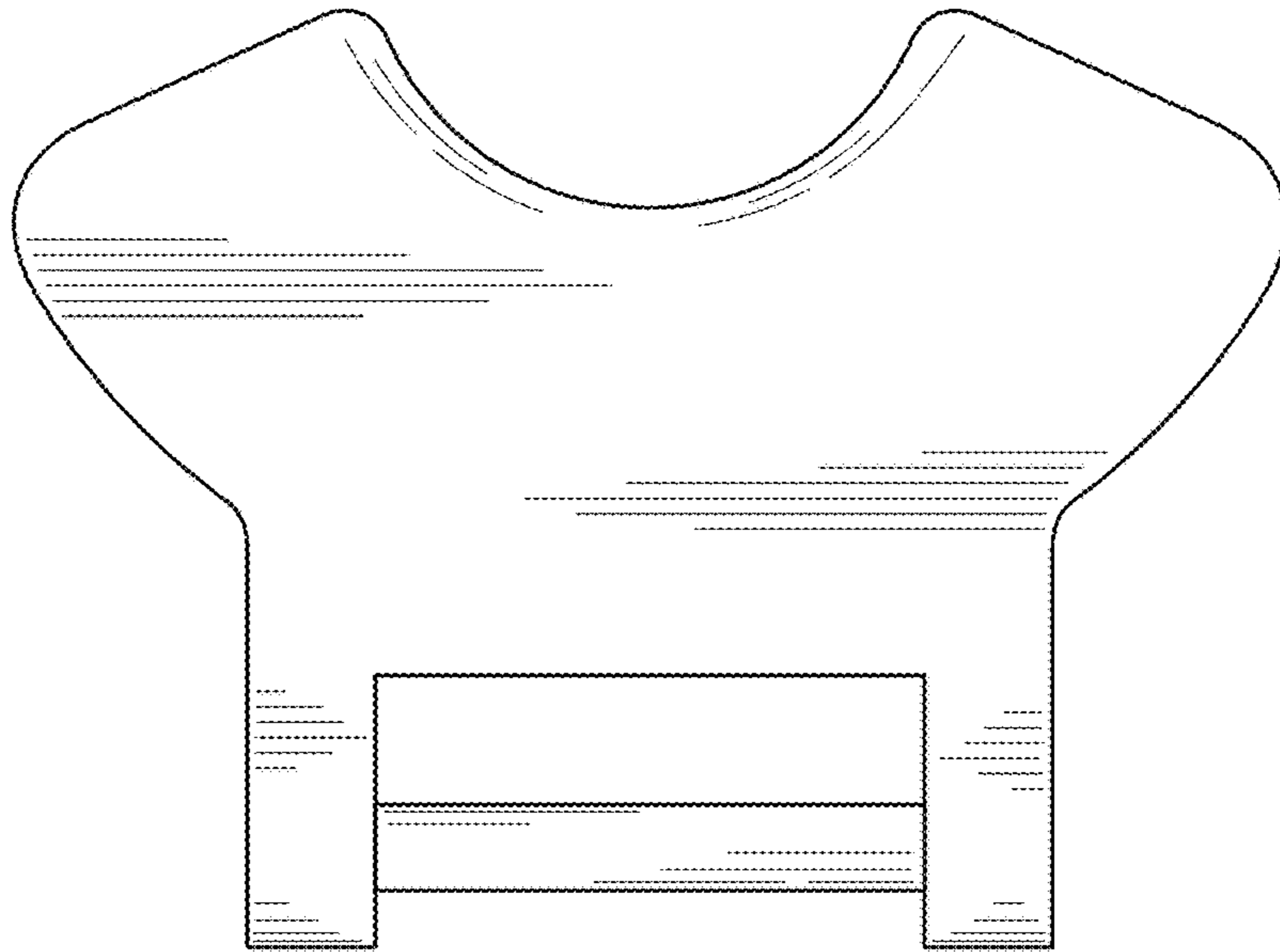


FIG. 3

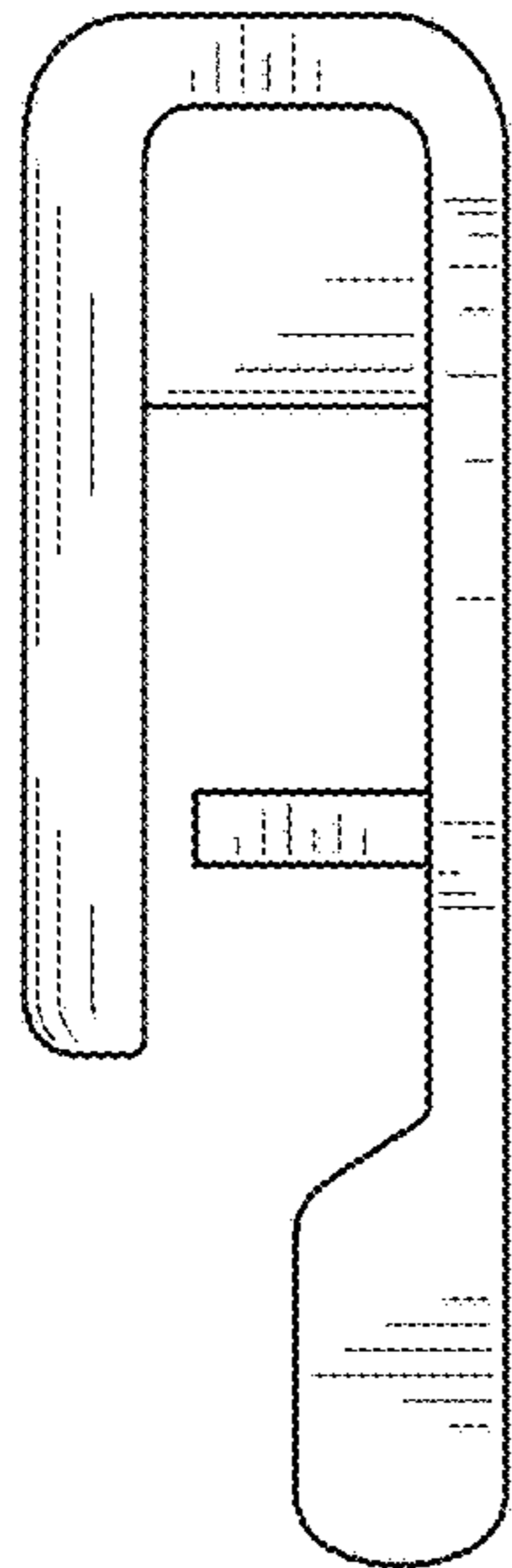


FIG. 4

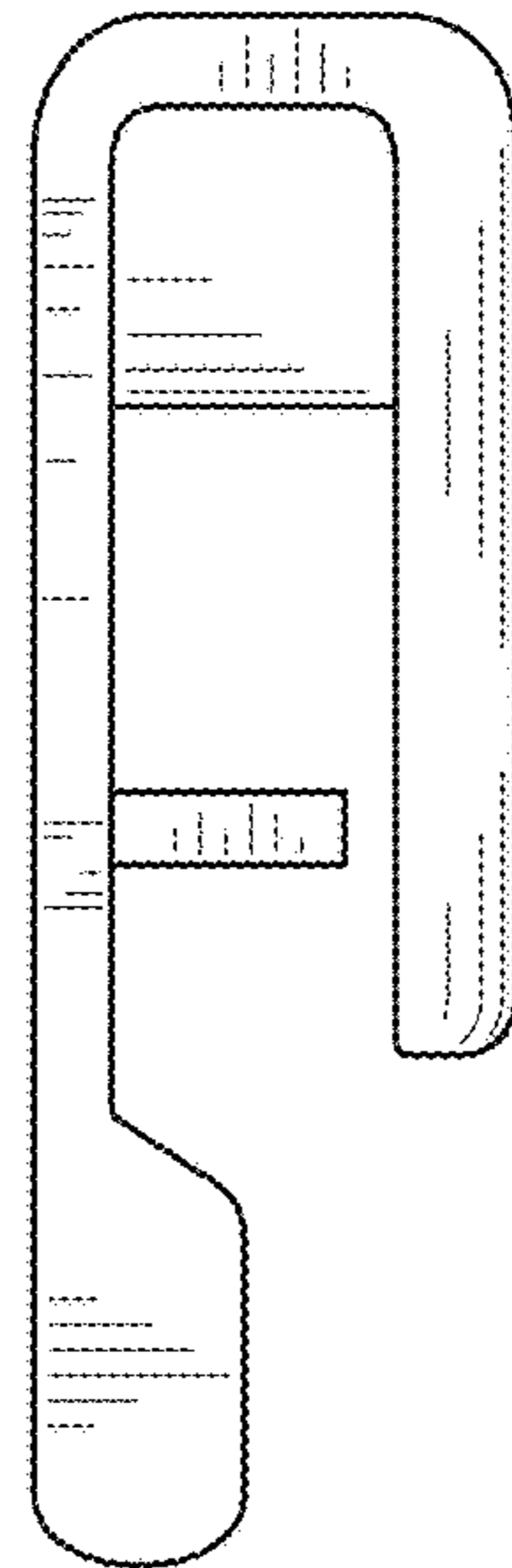


FIG. 5

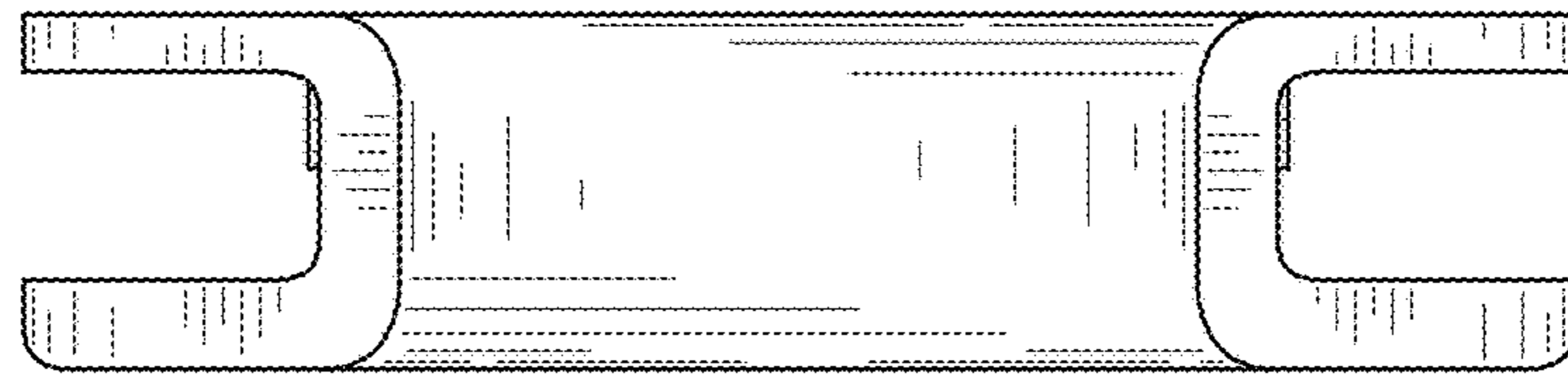


FIG. 6

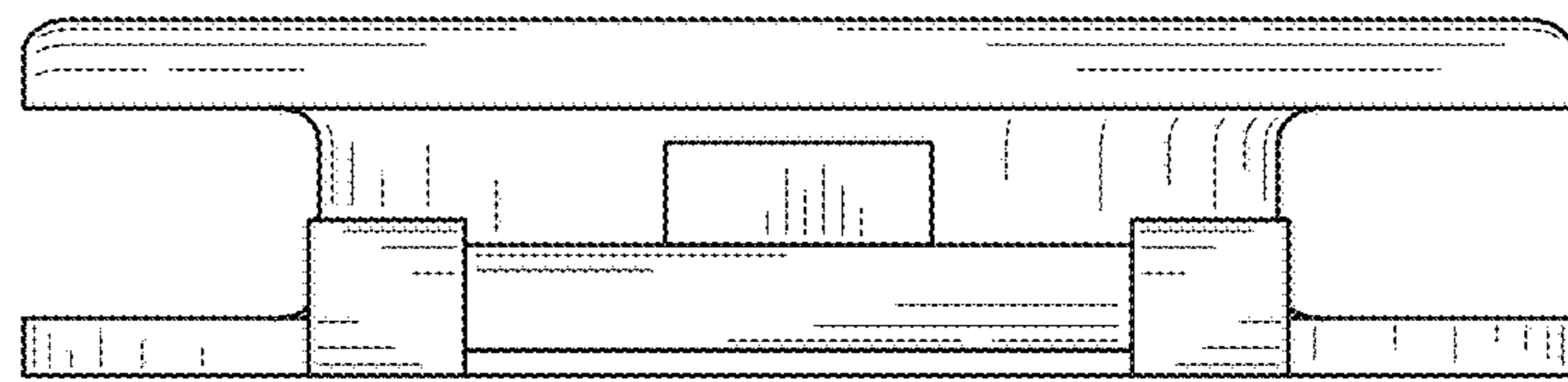


FIG. 7

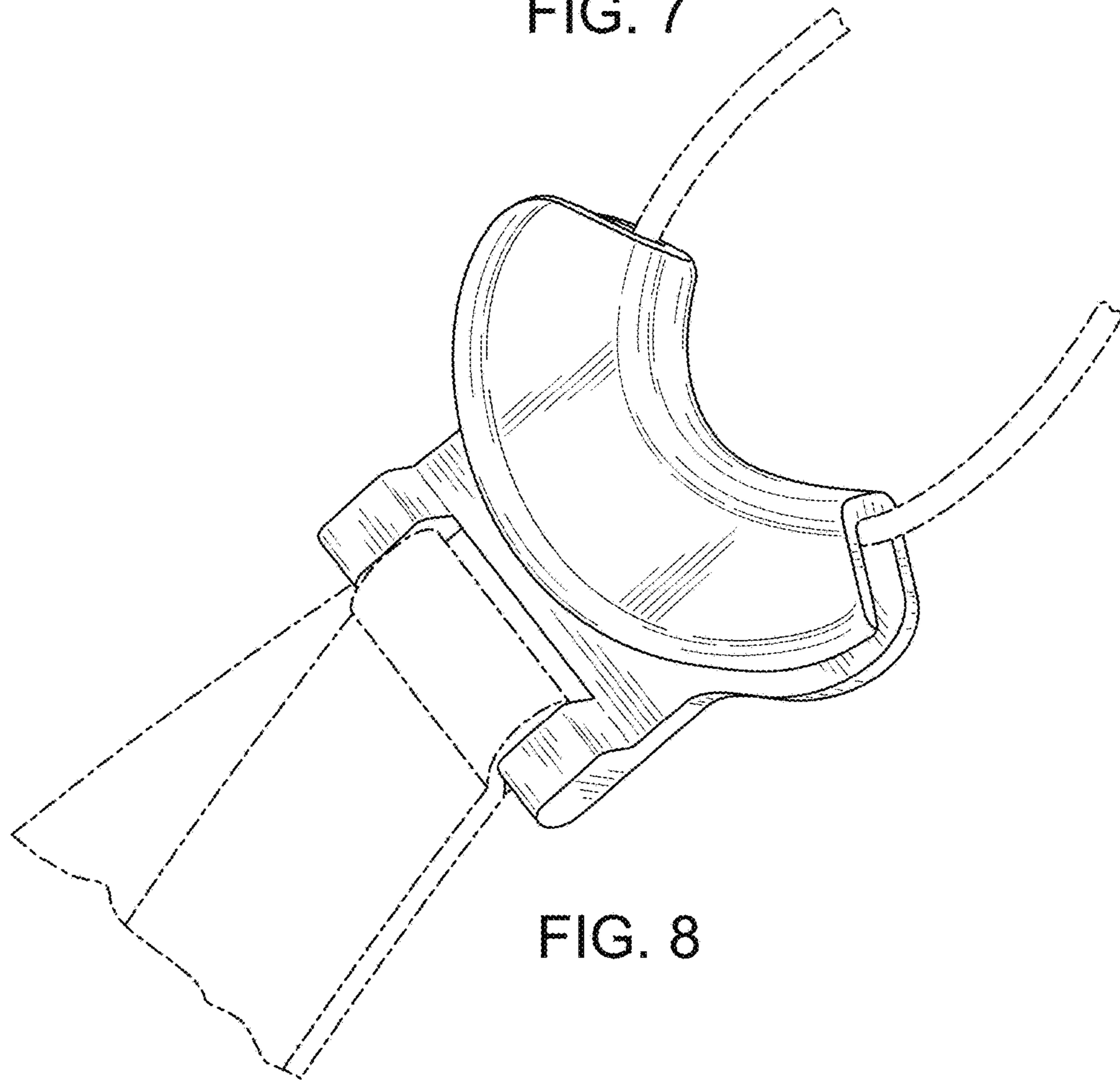


FIG. 8

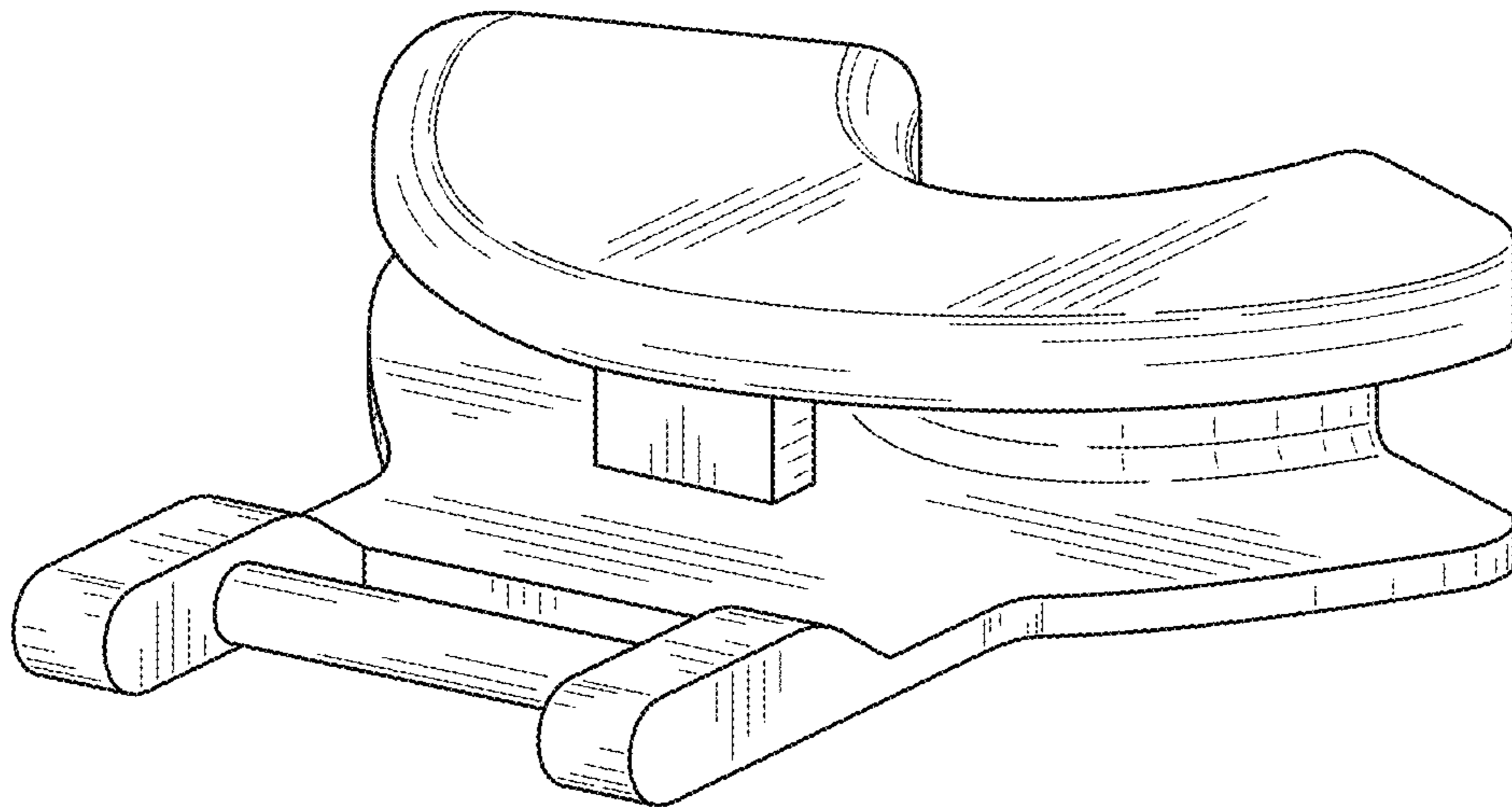


FIG. 9