



US00D816303S

(12) **United States Design Patent** (10) **Patent No.:** **US D816,303 S**
Diakonov (45) **Date of Patent:** **** May 1, 2018**

(54) **ATHLETIC GARMENT**

- (71) Applicant: **Dmitri Diakonov**, Royal Oak, MI (US)
- (72) Inventor: **Dmitri Diakonov**, Royal Oak, MI (US)
- (73) Assignee: **On'Re Sport, Ltd.**, Royal Oak, MI (US)
- (**) Term: **15 Years**
- (21) Appl. No.: **29/565,353**
- (22) Filed: **May 19, 2016**

Related U.S. Application Data

- (63) Continuation of application No. 29/548,305, filed on Dec. 11, 2015, now Pat. No. Des. 764,765.
- (51) **LOC (11) Cl.** **02-02**
- (52) **U.S. Cl.**
USPC **D2/857**
- (58) **Field of Classification Search**
USPC ... 2/49.2, 49.4, 76, 220, 221, 236, 237, 307, 2/312, 320; D2/627, 639, 704, 705, 712, D2/731, 735, 738, 742, 769, 771, 791, D2/812, 815, 820, 843, 857, 863, 864
CPC A41B 13/00; A41B 13/10; A41D 1/00; A41D 1/06; A41D 13/0012; A41F 9/00
See application file for complete search history.

(56) **References Cited**

U.S. PATENT DOCUMENTS

1,912,327	A	5/1933	Vaccaro
2,291,414	A	7/1942	Slobotkin
2,412,622	A	12/1946	Koppelman
2,508,190	A	5/1950	Previdi
2,607,934	A	8/1952	Bailhe
3,320,620	A	5/1967	Weidler et al.
3,744,059	A	7/1973	Hayes
3,813,697	A	6/1974	Belpaume
3,871,030	A	3/1975	Green
3,968,522	A	7/1976	Riess

(Continued)

OTHER PUBLICATIONS

“Hard Tail Roll Waist Bootleg Flare Plants.” First review: Nov. 23, 2009. Nordstrom. http://shop.nordstrom.com/s/2868513?pathAlias=hard-tail-roll-waist-bootleg-flare-pants&origin=related-2868513-6012241-0-1-1.*

(Continued)

Primary Examiner — Susan Bennett Hattan

Assistant Examiner — Suzanne E Tisdell

(74) *Attorney, Agent, or Firm* — Dority & Manning, P.A.

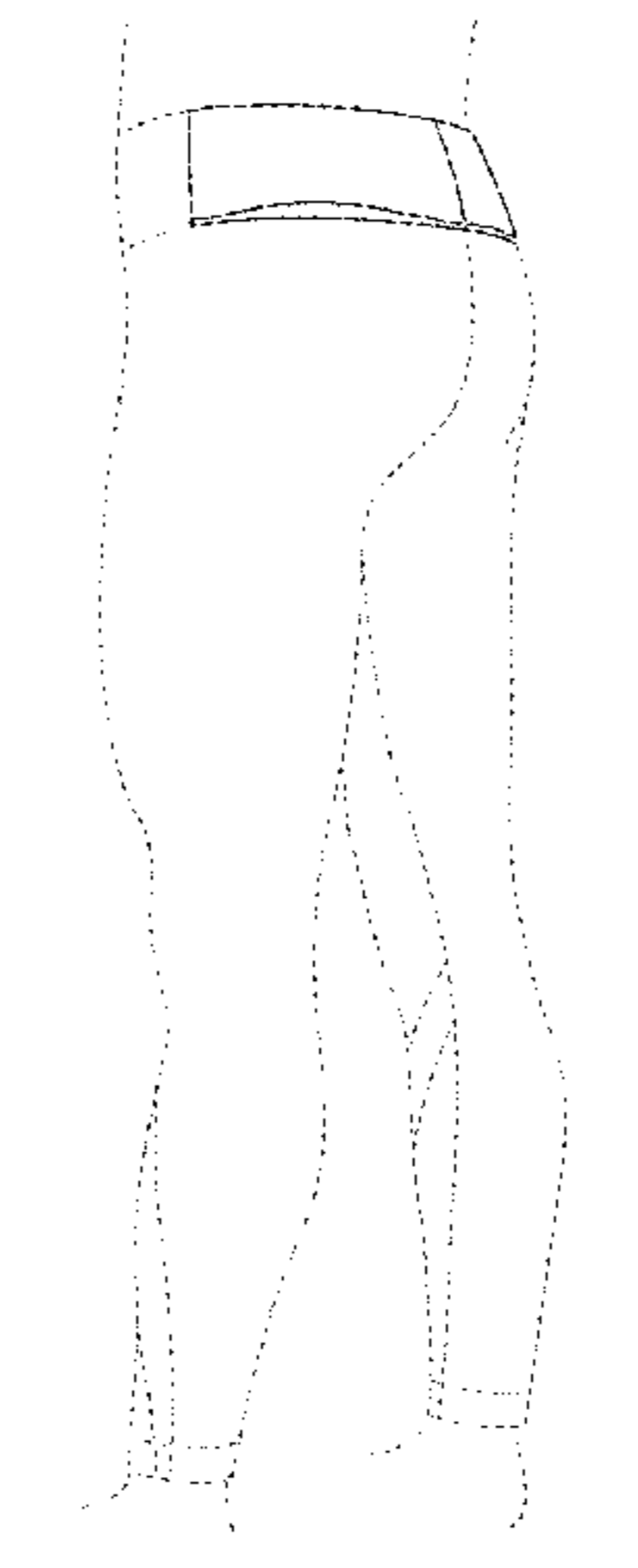
(57) **CLAIM**

The ornamental design for an athletic garment, as shown and described.

DESCRIPTION

FIG. 1 is a rear perspective view of one embodiment of an athletic garment showing my new design;
 FIG. 2 is another rear perspective view thereof;
 FIG. 3 is a front perspective view thereof;
 FIG. 4 is a rear view thereof;
 FIG. 5 is a front view thereof;
 FIG. 6 is a close-up rear perspective view thereof;
 FIG. 7 is a close-up front perspective view thereof;
 FIG. 8 is a front perspective view of a second embodiment of an athletic garment showing my new design;
 FIG. 9 is a rear perspective view thereof;
 FIG. 10 is a front perspective view of a third embodiment of an athletic garment showing my new design;
 FIG. 11 is a rear perspective view thereof;
 FIG. 12 is a front perspective view of a fourth embodiment of an athletic garment showing my new design; and,
 FIG. 13 is a rear perspective view thereof.
 The broken lines shown in the drawings form no part of the claimed design.

1 Claim, 8 Drawing Sheets



(56)

References Cited

U.S. PATENT DOCUMENTS

4,301,549 A 11/1981 Ingram
 4,413,762 A 11/1983 Carini
 4,416,404 A 11/1983 Daniels
 4,428,080 A 1/1984 Takamatsu
 4,498,200 A 2/1985 Livingstone
 4,513,455 A 4/1985 Gerhardt
 4,603,441 A 8/1986 Richter
 4,625,336 A 12/1986 Derderian
 4,920,577 A 5/1990 Scharf
 4,958,386 A 9/1990 Louis-Jeune
 5,064,107 A 11/1991 Ascarrunz
 5,182,815 A 2/1993 Young
 5,517,696 A 5/1996 Krugler
 5,636,386 A 6/1997 Salamone
 5,724,679 A 3/1998 Hans
 D404,889 S 2/1999 Fujii et al.
 5,870,777 A 2/1999 Hans
 6,006,363 A 12/1999 Karlin
 D420,781 S 2/2000 Fujii et al.
 6,148,443 A 11/2000 Maastricht
 D461,943 S 8/2002 Lyden
 D465,315 S 11/2002 Tanaka
 D465,900 S 11/2002 Tanaka
 D473,694 S 4/2003 Lyden
 D481,523 S 11/2003 Hujii et al.
 D483,551 S 12/2003 Kallen
 6,993,940 B2 2/2006 Rabinowicz et al.
 7,500,274 B1 3/2009 Kallen
 7,516,498 B2 4/2009 Torry
 7,559,093 B2 7/2009 Sudo et al.
 D613,037 S 4/2010 Iamartino et al.
 D615,279 S * 5/2010 Savage D2/731
 7,730,552 B2 6/2010 Ota et al.
 D619,330 S 7/2010 Peters
 D632,461 S 2/2011 Morii et al.
 D641,135 S * 7/2011 Zarabi D2/712
 D641,539 S * 7/2011 Zarabi D2/701
 8,028,345 B2 10/2011 Waite et al.
 D654,661 S 2/2012 Savage
 D661,871 S * 6/2012 Savage D2/742
 D673,756 S * 1/2013 Agnew D2/742
 D681,916 S 5/2013 Tanaka et al.
 D683,522 S 6/2013 Pasloski
 D686,799 S * 7/2013 Farina D2/742
 D701,676 S * 4/2014 Savage D2/738
 9,021,615 B2 5/2015 Cockram

D730,624 S 6/2015 Prpic et al.
 D731,753 S 6/2015 Mahtani
 D741,572 S * 10/2015 Bickley D2/731
 D742,095 S * 11/2015 Savage D2/738
 D743,144 S 11/2015 Swan
 D750,346 S * 3/2016 McManus D2/742
 D759,349 S * 6/2016 Zimmermann D2/742
 D764,754 S * 8/2016 McManus D2/742
 D765,346 S * 9/2016 Harris D2/742
 2011/0009793 A1 * 1/2011 Lucero A41D 13/0015
 602/62
 2012/0030864 A1 2/2012 Marois et al.
 2012/0052770 A1 * 3/2012 Bhojwani A41D 1/06
 450/95
 2013/0007947 A1 * 1/2013 Moore A41F 9/02
 2/236
 2013/0305425 A1 * 11/2013 Zarabi A41D 1/06
 2/69
 2013/0305433 A1 11/2013 Hedrick
 2014/0143936 A1 5/2014 Flanagan
 2014/0196194 A1 * 7/2014 Clarke A41D 1/14
 2/237
 2014/0231277 A1 8/2014 Ponski
 2014/0274475 A1 9/2014 Little et al.
 2015/0007379 A1 * 1/2015 Cockram A41D 1/06
 2/236
 2015/0074871 A1 3/2015 Emich et al.
 2015/0128331 A1 5/2015 Grosse
 2015/0237935 A1 * 8/2015 Maryea A41D 15/00
 2/228
 2015/0359273 A1 12/2015 Olson
 2016/0088887 A1 3/2016 Cockram

OTHER PUBLICATIONS

“Yoga Pants: a tutorial.” Posted Feb. 19, 2012. Sweet Verbena.
<http://sweet-verbena.blogspot.com/2012/02/yoga-pants-tutorial.html>.
 *
 “BMG Women’s Fold Over Waist Slimming Ankle Leggings Workout tight Yoga Pants.” First comment: Jan. 31, 2014. Amazon.
<http://www.amazon.com/Stretchy-Fitted-Foldover-Workout-Legging/dp/B00HVWC7S8>.
 “Nike Legend 2.0 Tight Fold-over Waistband.” First comment: May 26, 2015. Nike. http://store.nike.com/us/en_us/pd/legend-2-tight-fold-over-waistband-training-capris/pid-10337803/pgid-10926496.

* cited by examiner

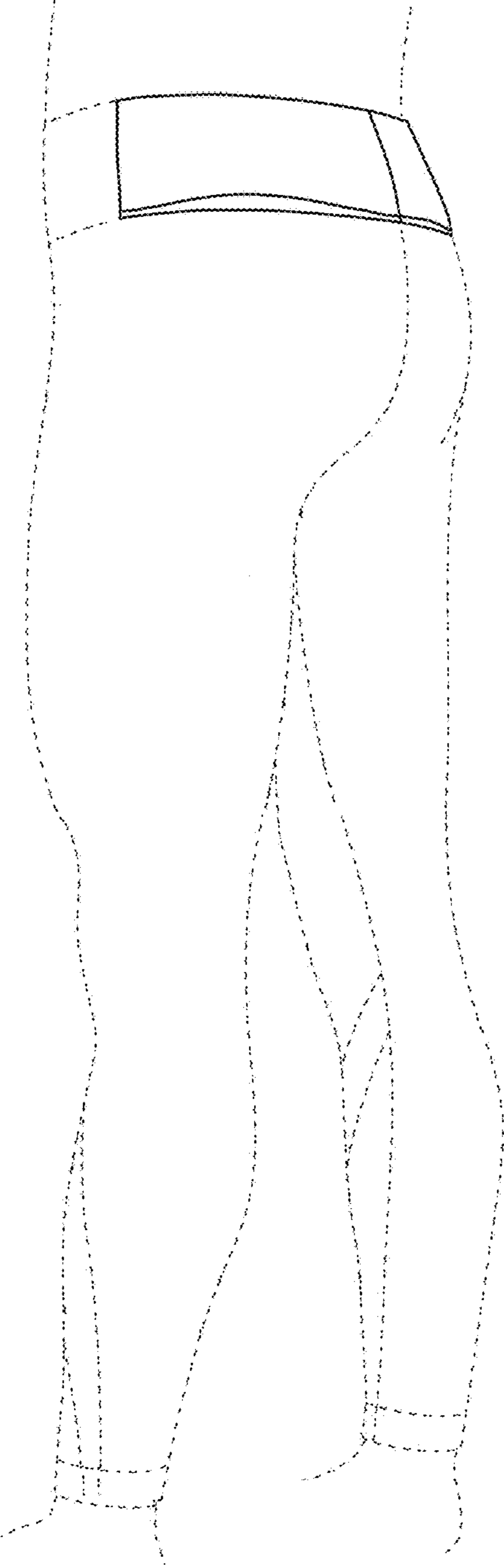


FIG. 1

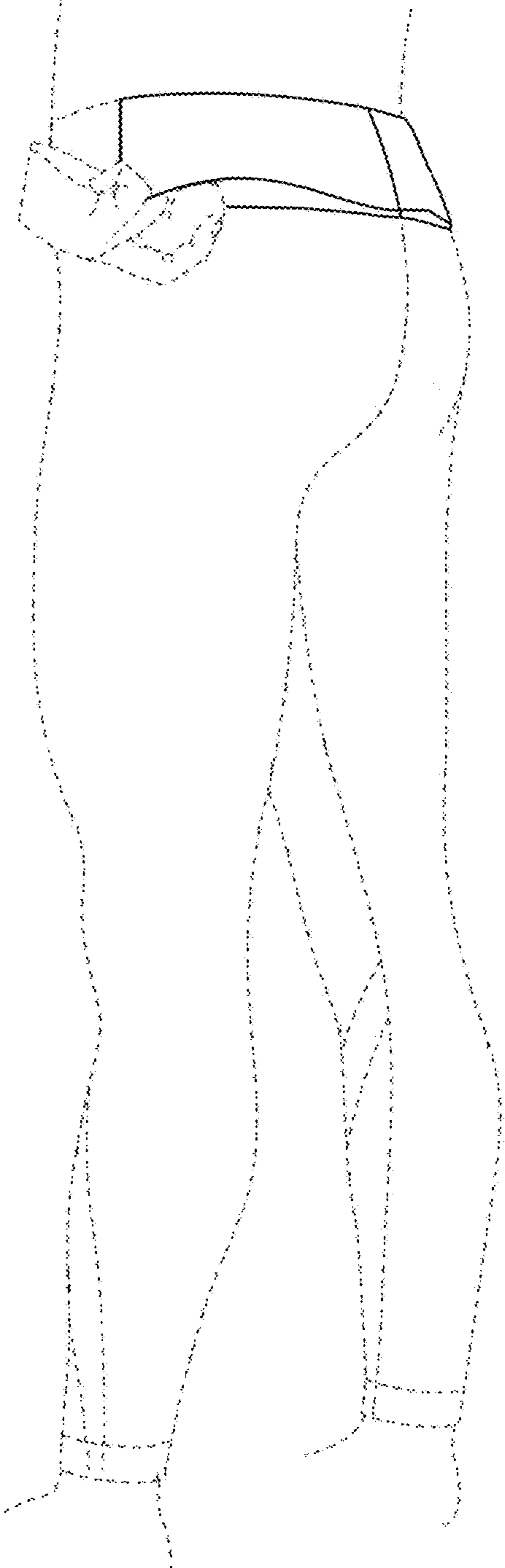


FIG. 2

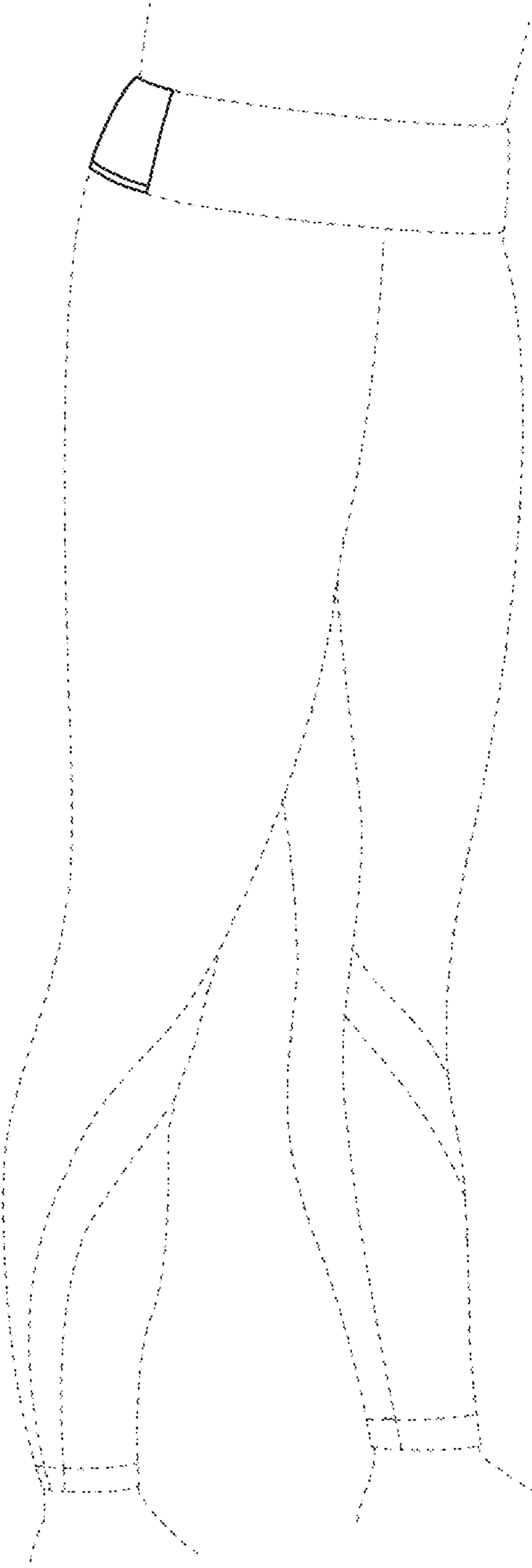


FIG. 3

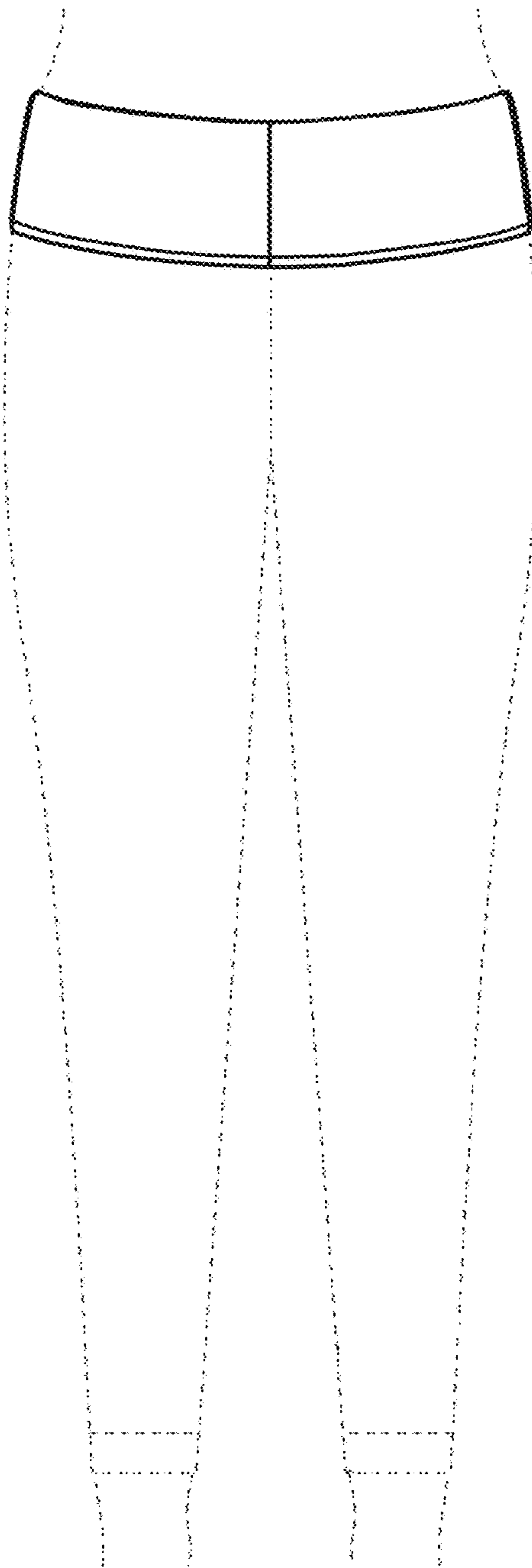


FIG. 4

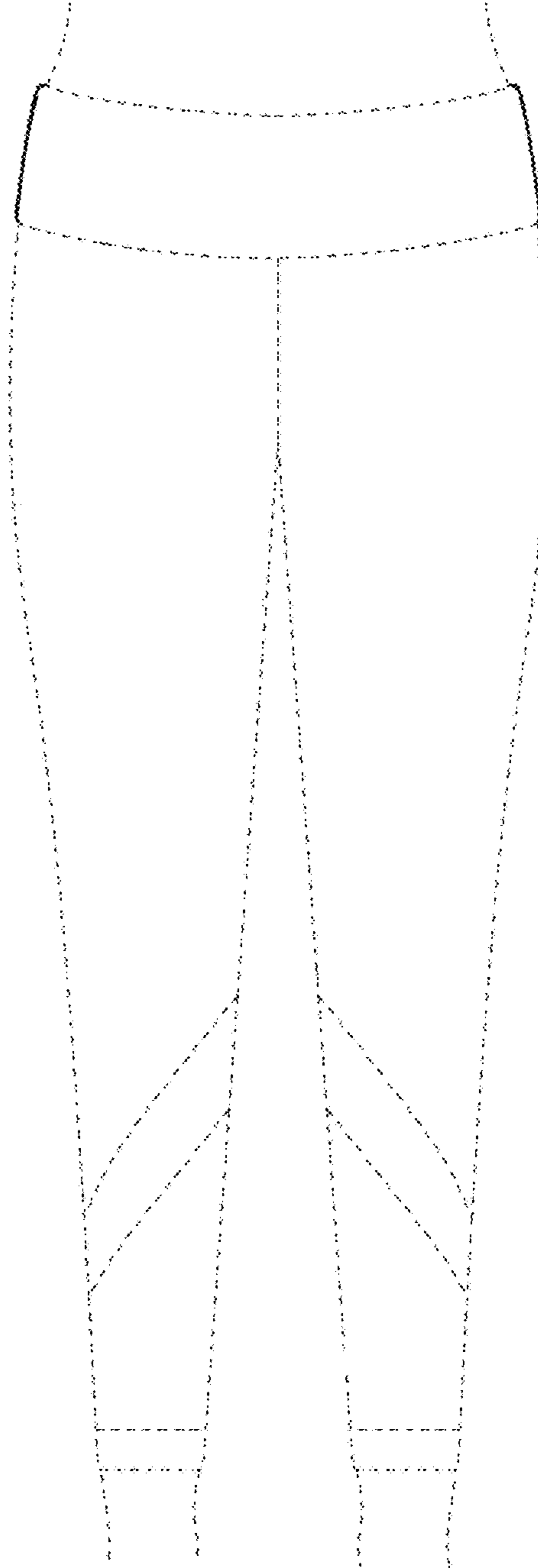


FIG. 5

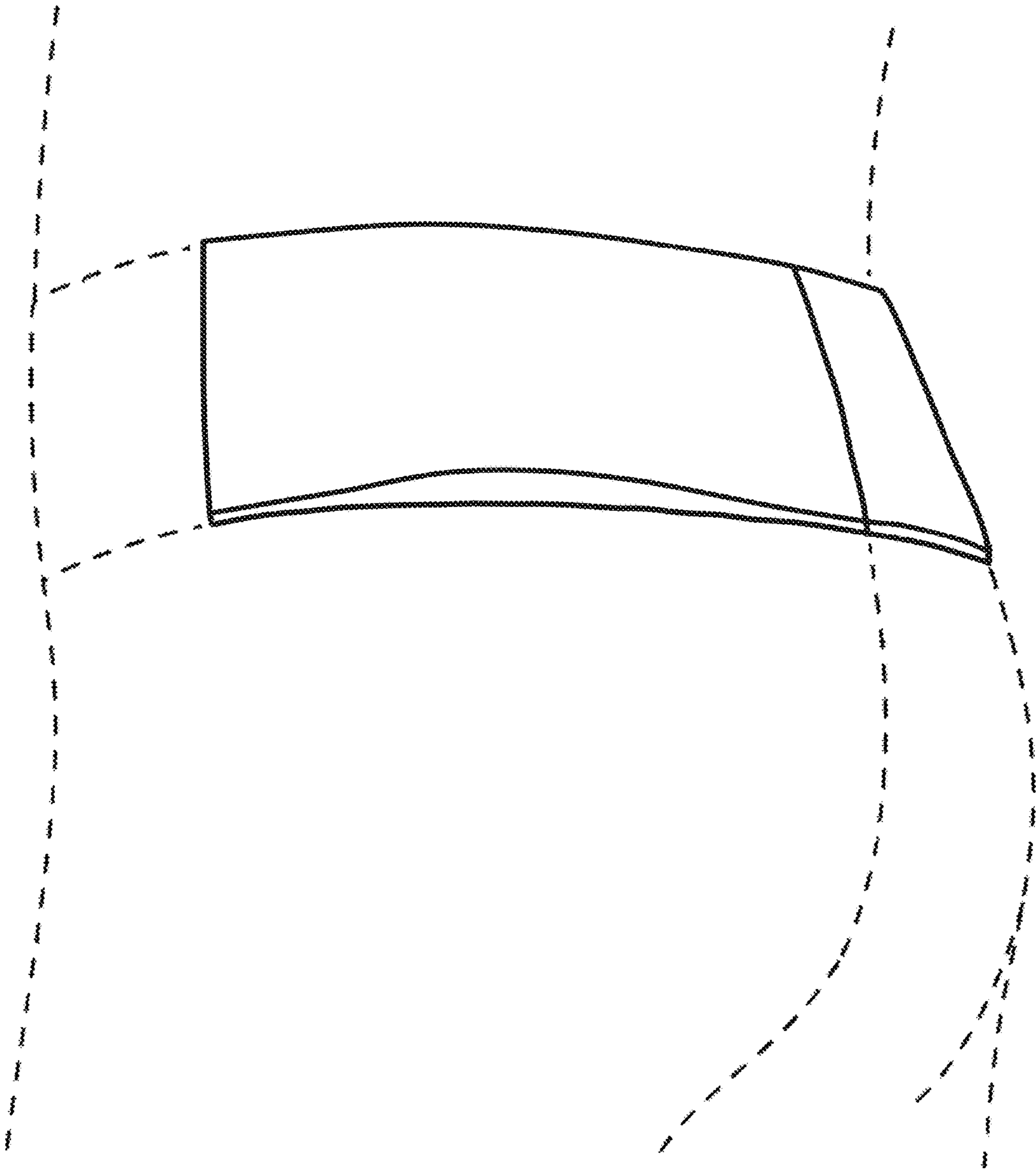


FIG. 6

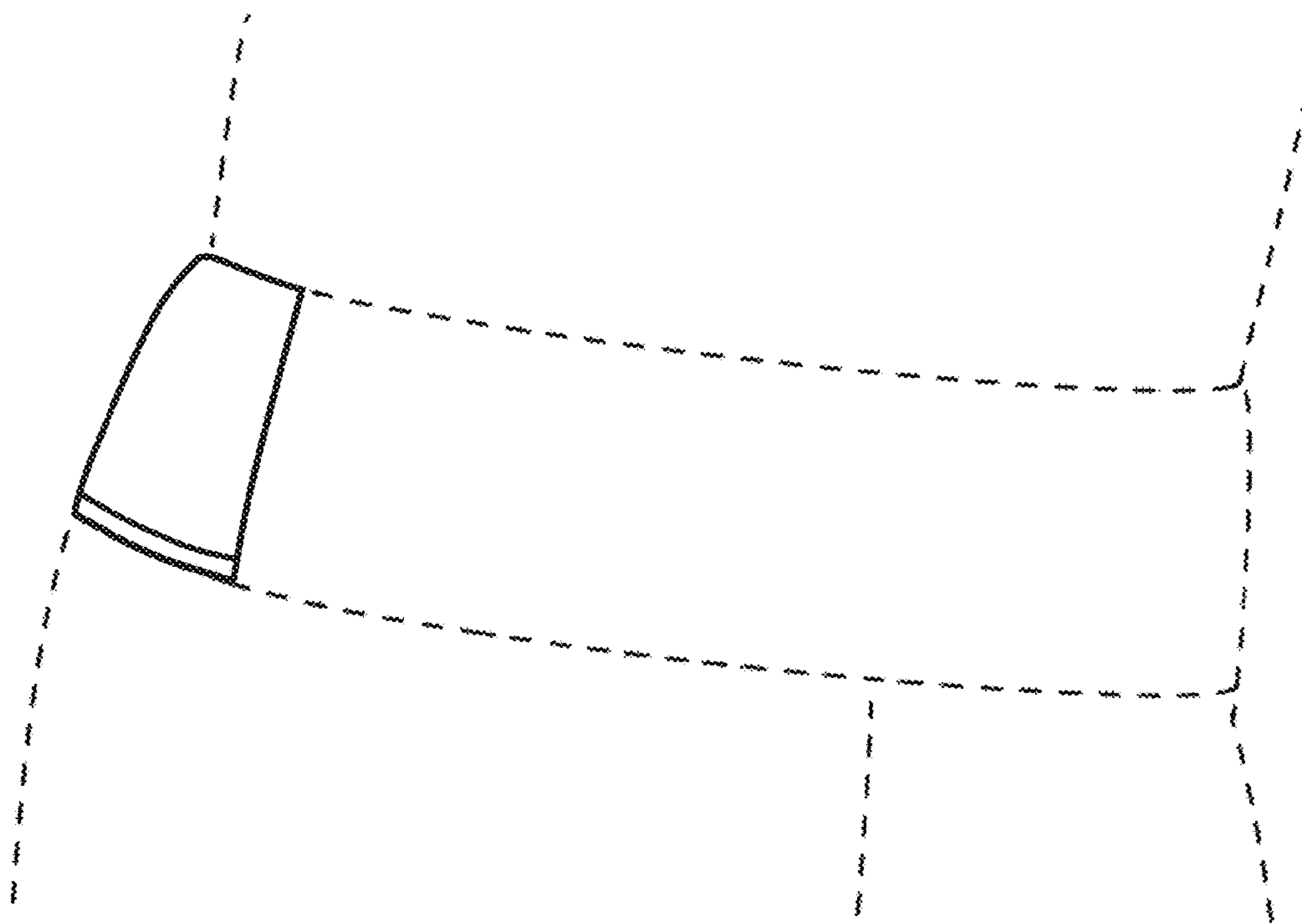


FIG. 7



FIG. 8

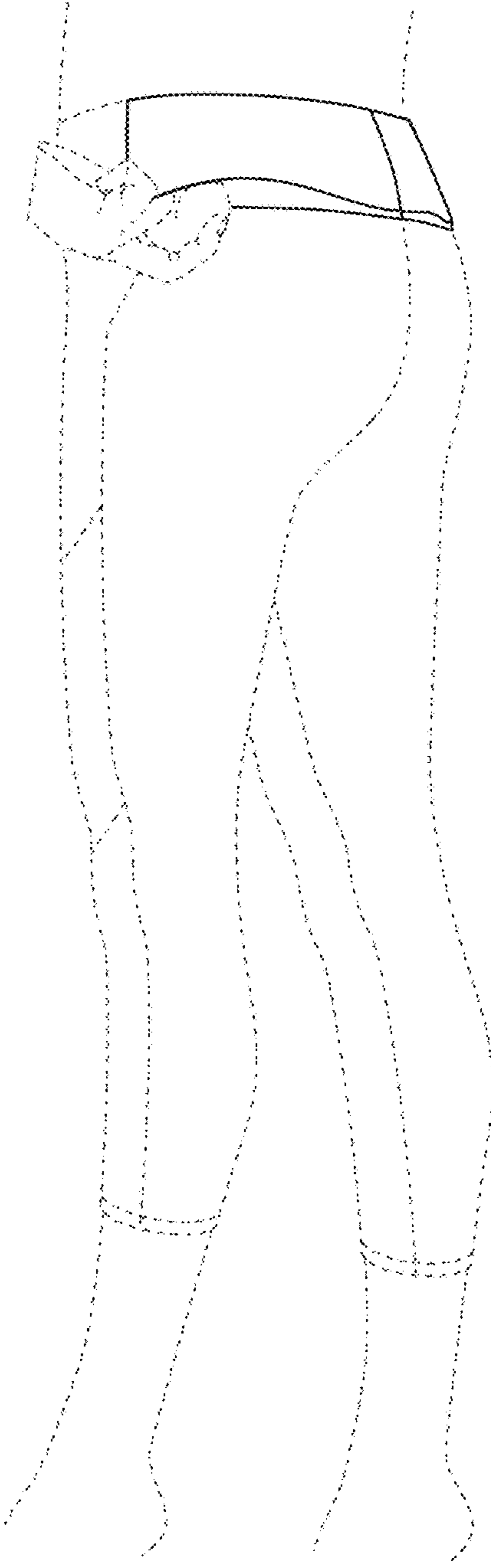


FIG. 9

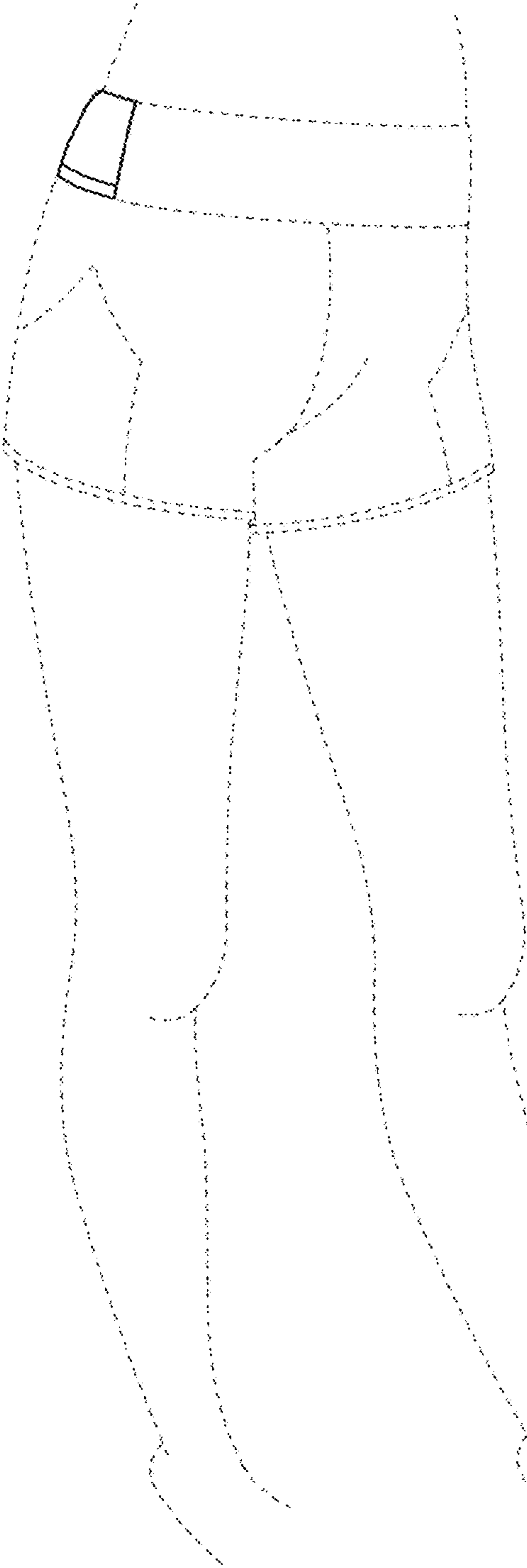


FIG. 10

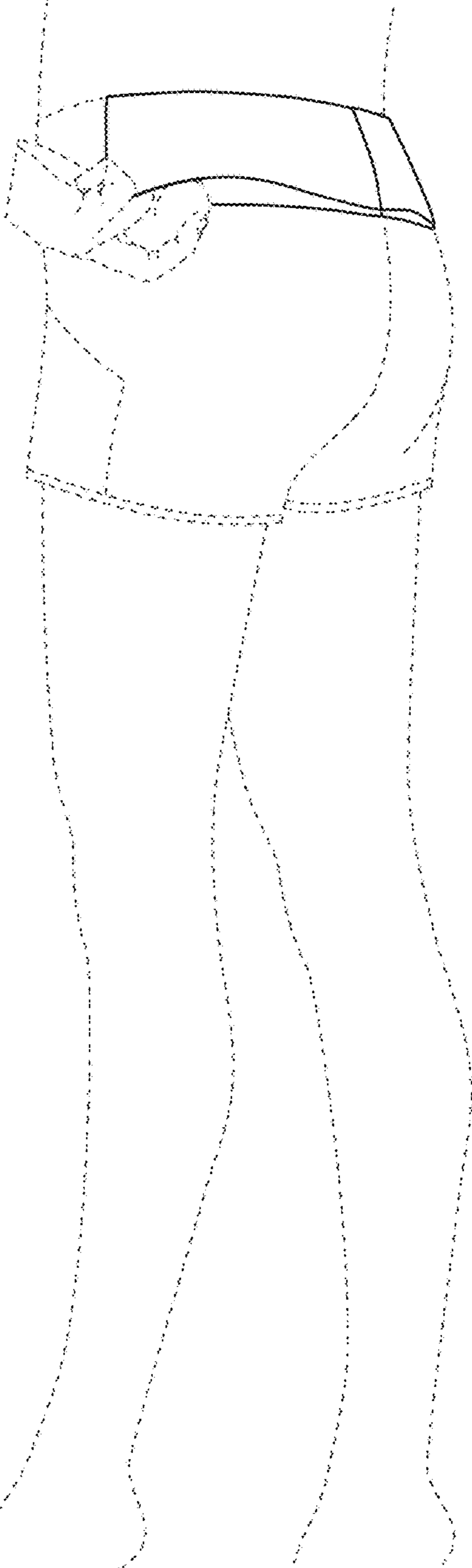


FIG. 11

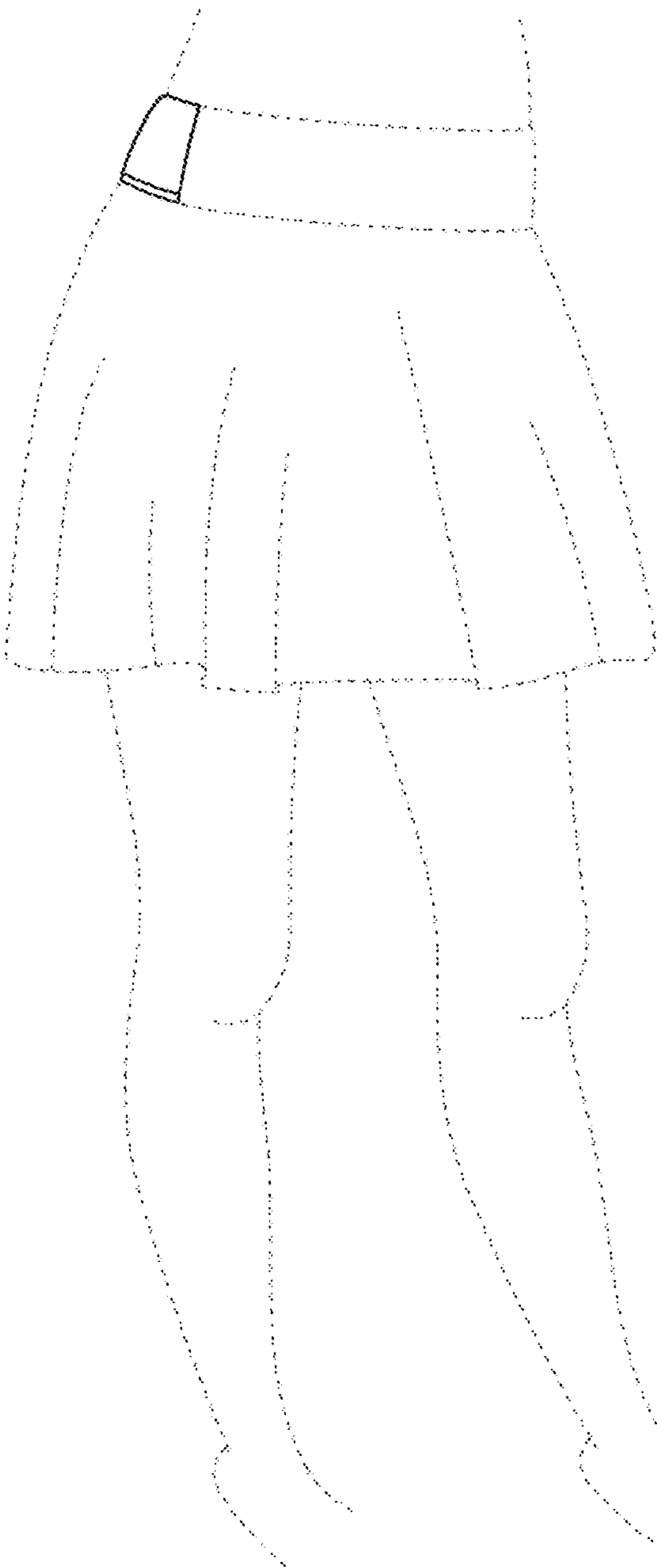


FIG. 12

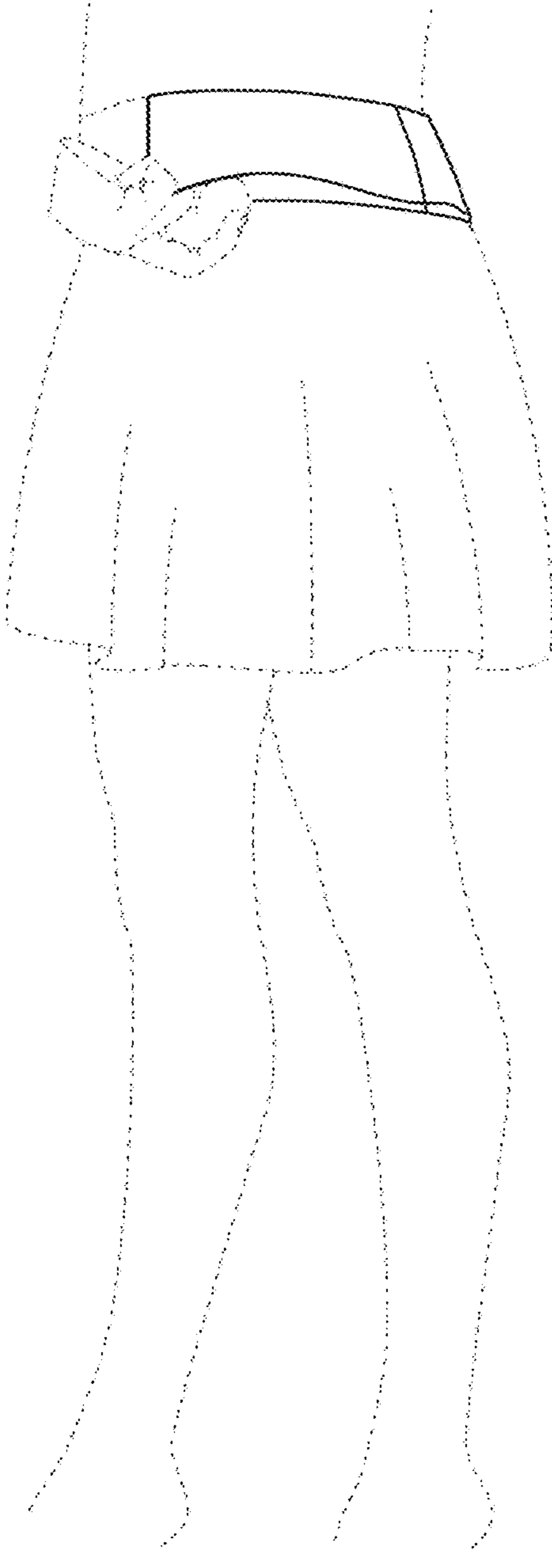


FIG. 13