



US00D816302S

(12) **United States Design Patent**  
**Canady**

(10) **Patent No.:** **US D816,302 S**

(45) **Date of Patent:** **\*\* May 1, 2018**

(54) **SKIRT WITH HITCH**

(71) Applicant: **Karen S. Canady**, Los Angeles, CA  
(US)

(72) Inventor: **Karen S. Canady**, Los Angeles, CA  
(US)

(\*\*) Term: **15 Years**

(21) Appl. No.: **29/587,285**

(22) Filed: **Dec. 12, 2016**

**Related U.S. Application Data**

(62) Division of application No. 29/445,290, filed on Feb. 8, 2013, now Pat. No. Des. 773,780.

(51) **LOC (11) Cl.** ..... **02-02**

(52) **U.S. Cl.**  
USPC ..... **D2/851**

(58) **Field of Classification Search**  
USPC ..... D2/853, 639, 851  
CPC ..... A41F 9/002; A41F 11/16; A41F 9/025;  
A41F 17/00; A41D 1/14  
See application file for complete search history.

(56) **References Cited**

**U.S. PATENT DOCUMENTS**

- D274,479 S \* 7/1984 Petillo ..... D2/851
- 6,339,848 B1 \* 1/2002 Mayhood ..... A41F 9/002
- 2/338
- D613,479 S \* 4/2010 Farmer ..... D2/853
- D614,379 S \* 4/2010 Campbell ..... D2/853

\* cited by examiner

*Primary Examiner* — George D Kirschbaum

*Assistant Examiner* — Jennifer Watkins

(74) *Attorney, Agent, or Firm* — Karen S Canady; canady + lortz LLP

(57) **CLAIM**

The ornamental design for a skirt with hitch, as shown and described.

**DESCRIPTION**

FIG. 1 is a front elevational view of the skirt with hitch design, showing an alternative display in which the hitch is suspended from a button on the waistband of the skirt;

FIG. 2 is a front elevational view of the skirt with hitch design shown in FIG. 1, showing an alternative display in which the hitch has been passed over the waistband of the skirt, with the button on the waistband of the skirt passing through a buttonhole of the hitch, and the button on the hitch passing through the buttonhole at the other end of the hitch;

FIG. 3 is a left side elevational view of the skirt with hitch design;

FIG. 4 is a right side elevational view of the skirt with hitch design;

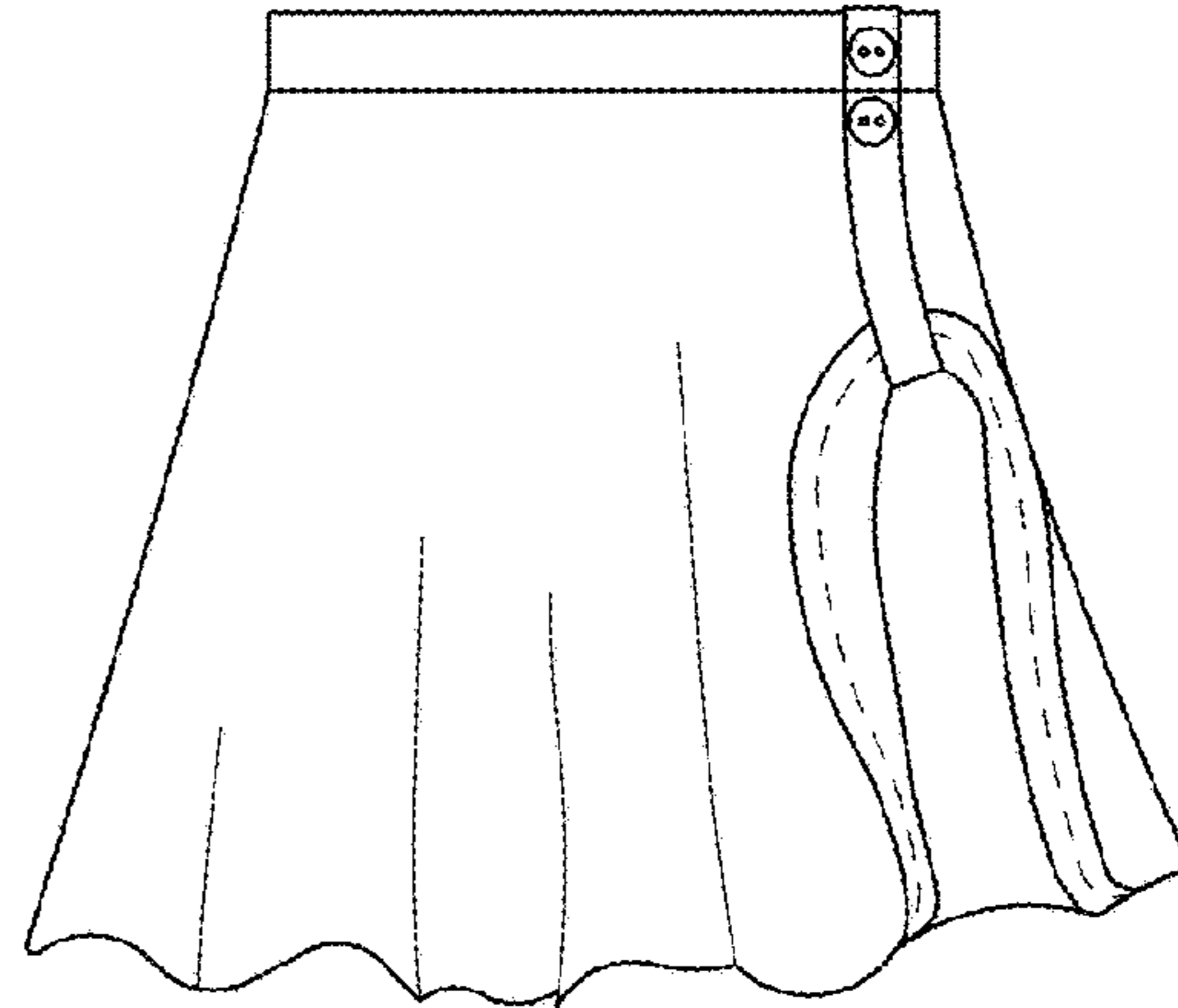
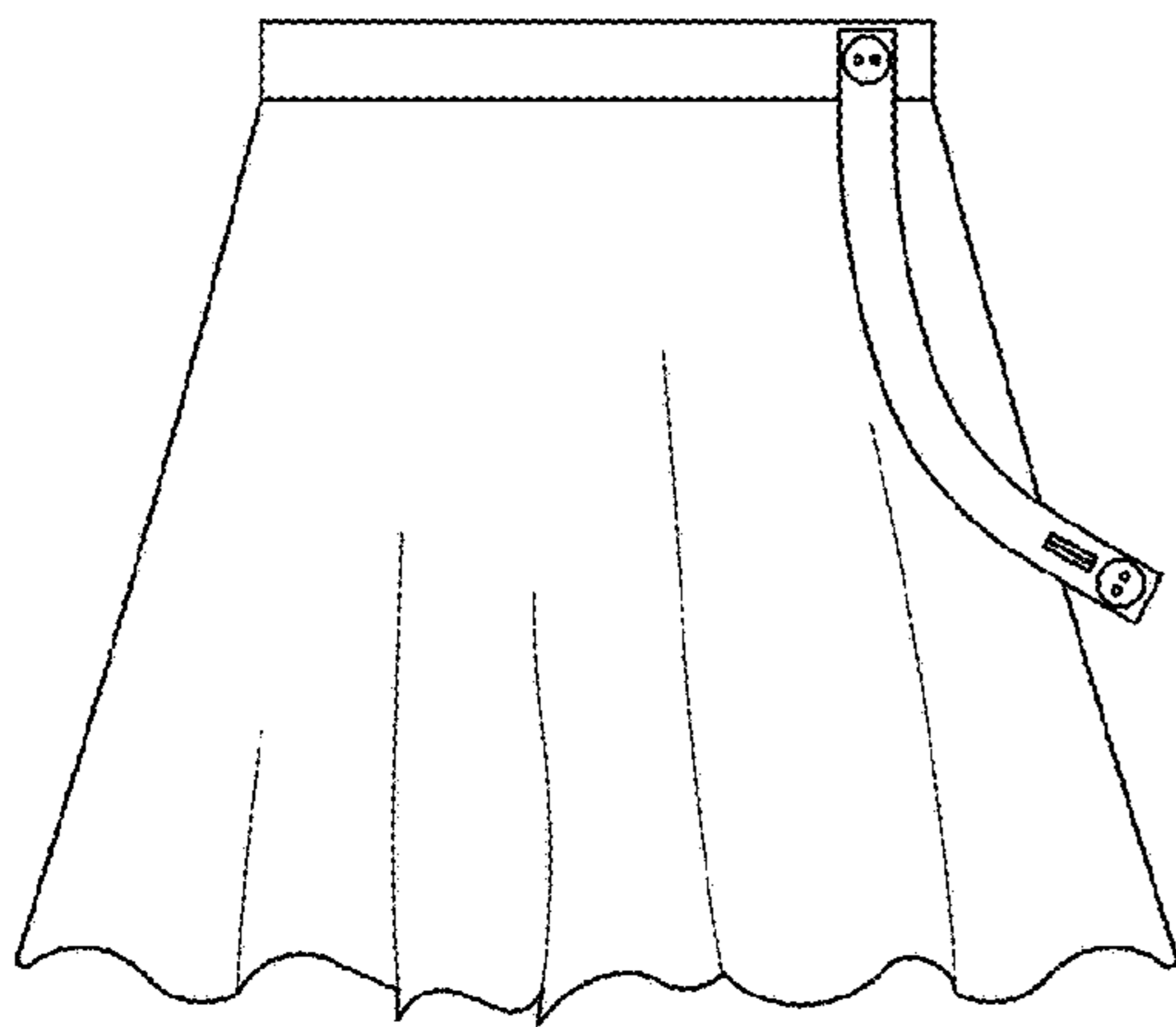
FIG. 5 is a rear elevational view of the skirt with hitch design;

FIG. 6 is a top plan view of the skirt with hitch design in the same display as shown in FIG. 2; and,

FIG. 7 is a bottom plan view of the skirt with hitch design in the same display as shown in FIG. 2.

The broken line in FIGS. 2 and 3 is for the purpose of illustrating stitching and forms no part of the claim.

**1 Claim, 2 Drawing Sheets**



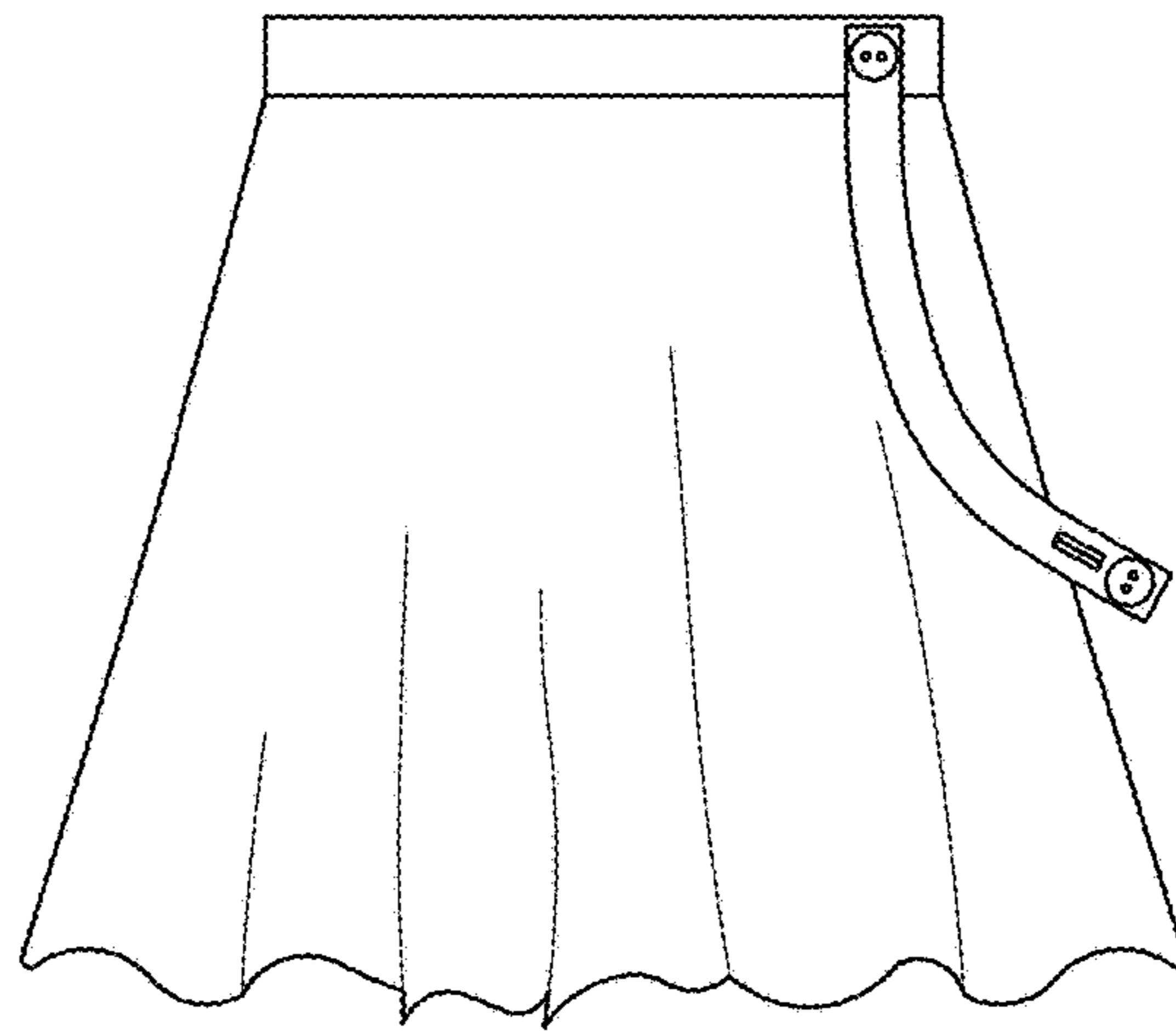


FIG. 1

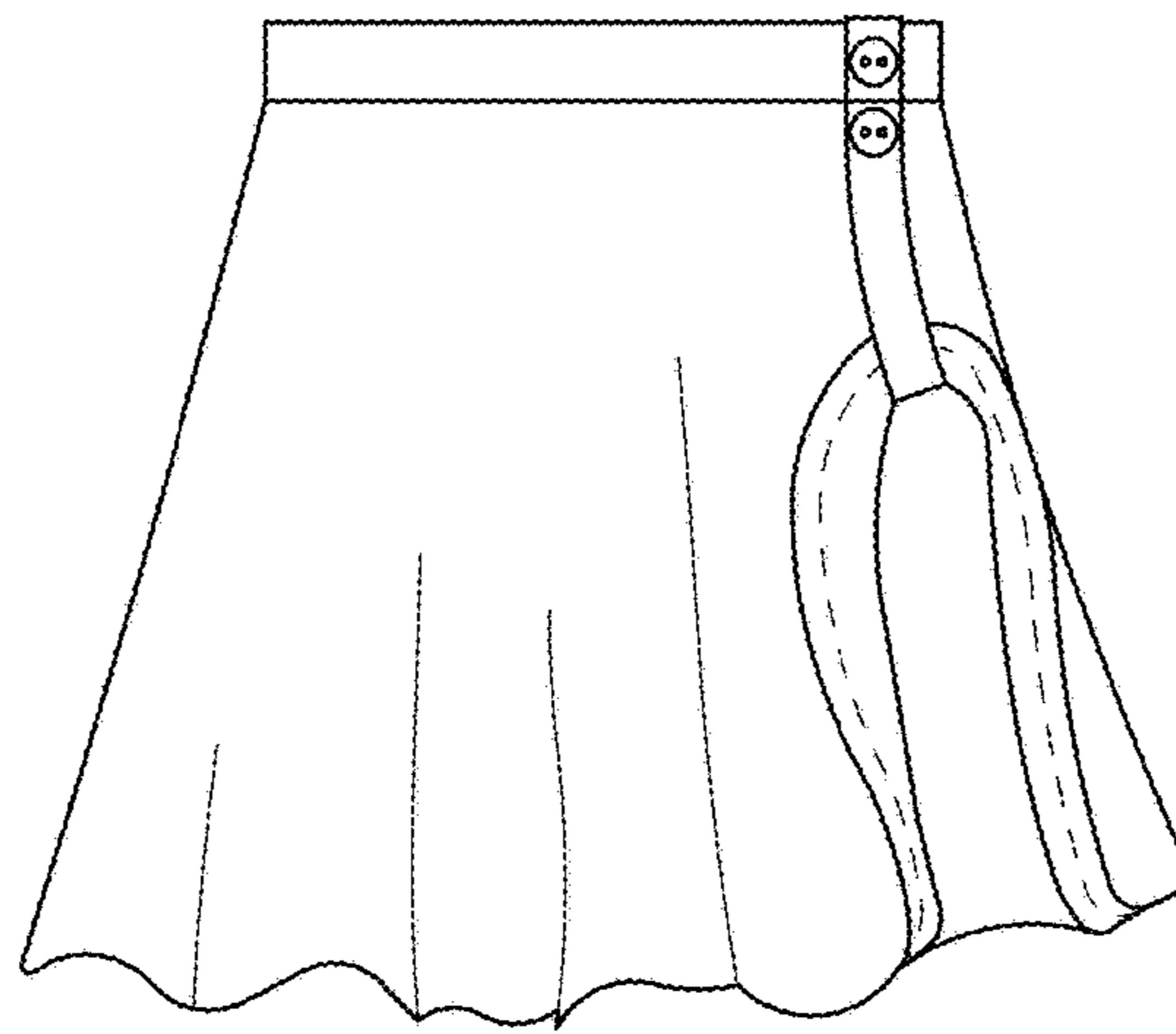


FIG. 2

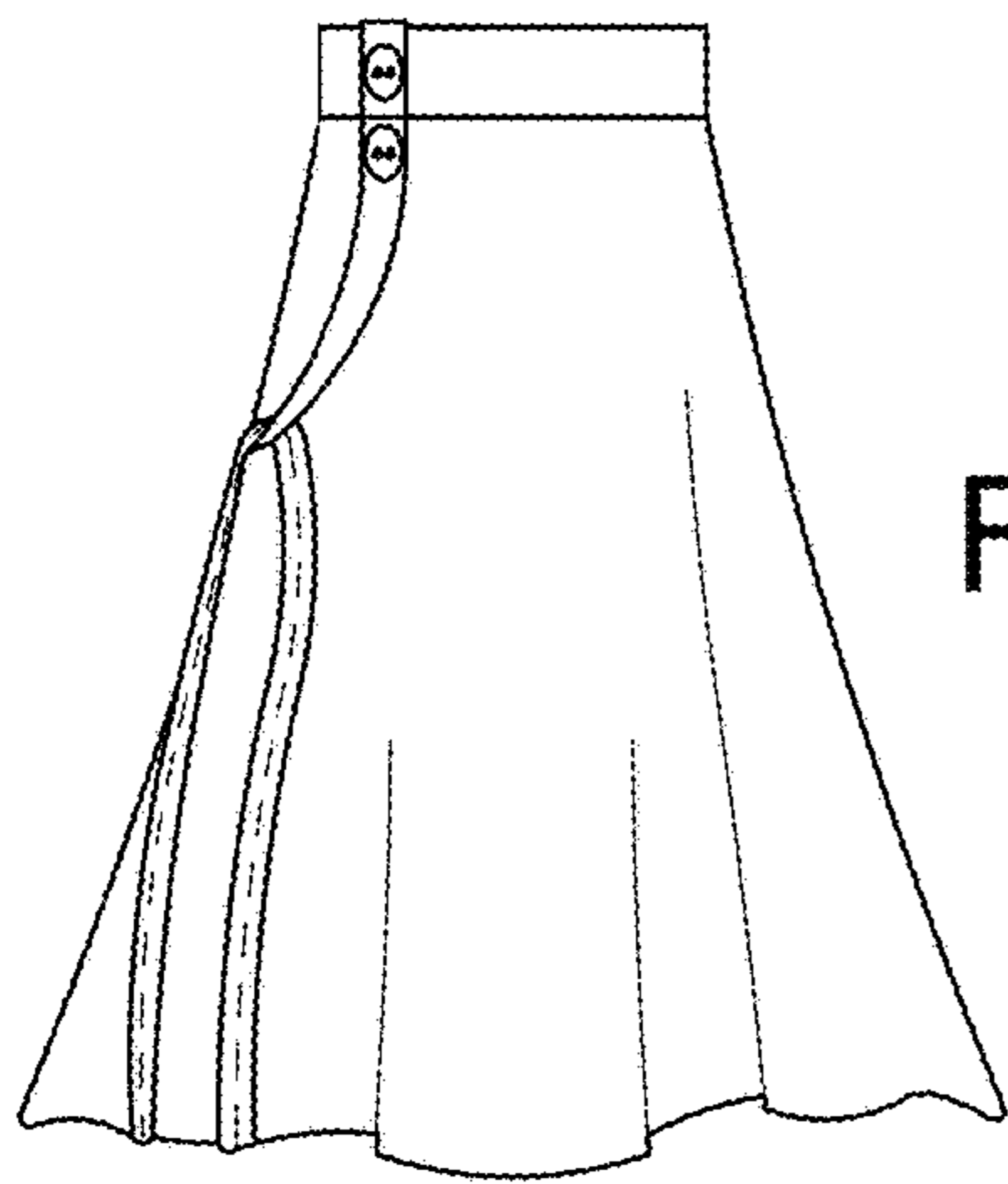


FIG. 3

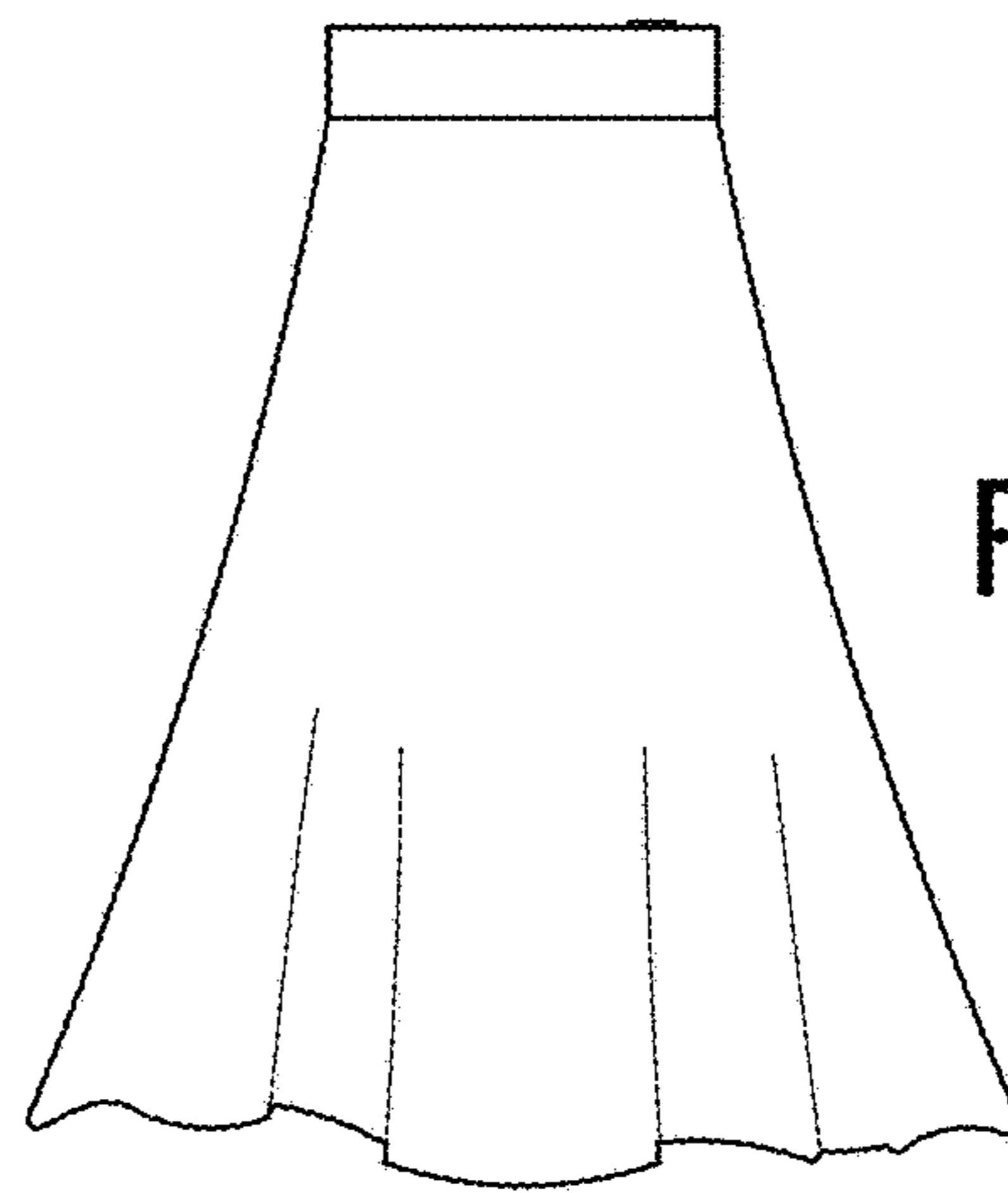


FIG. 4

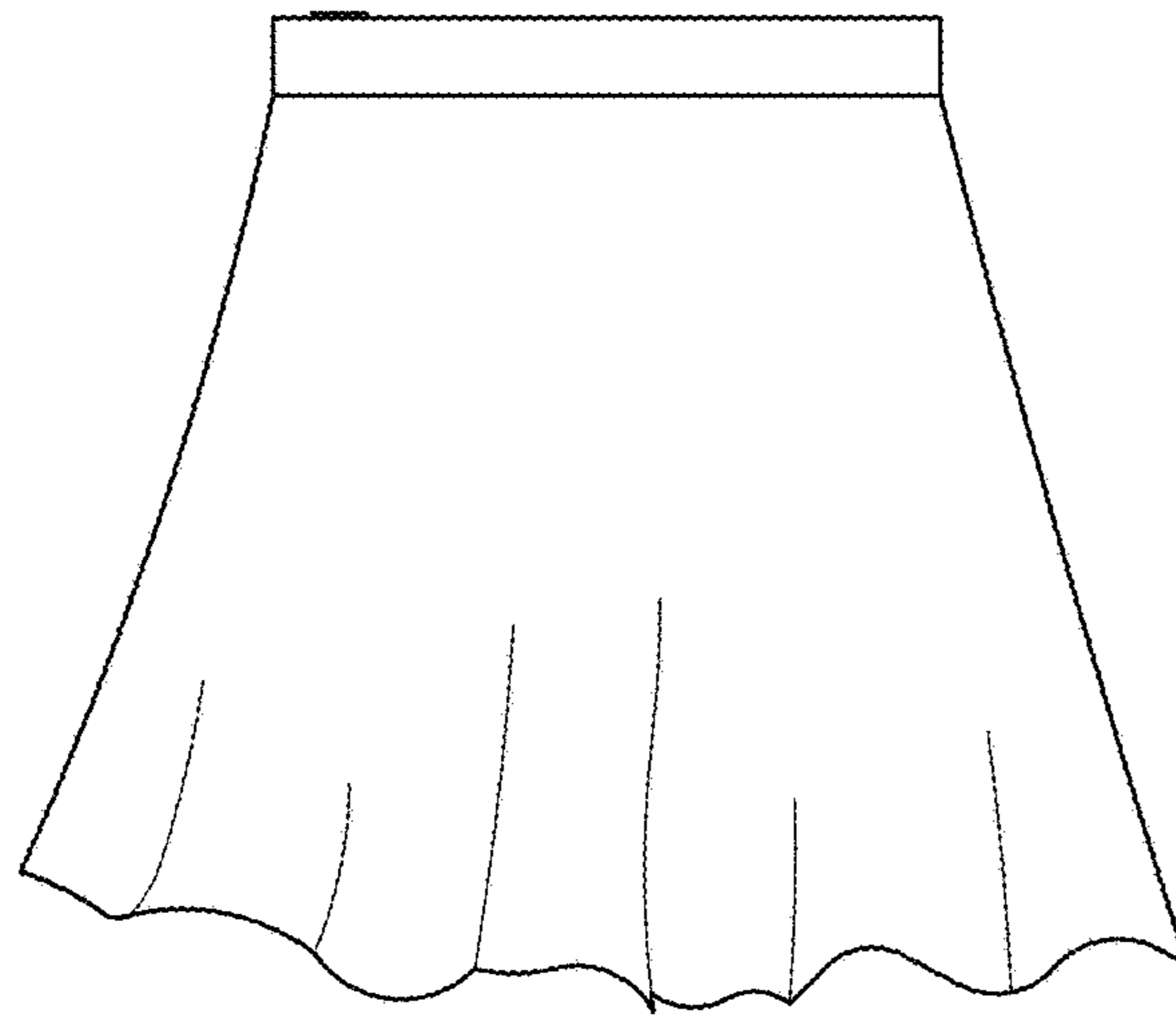


FIG. 5

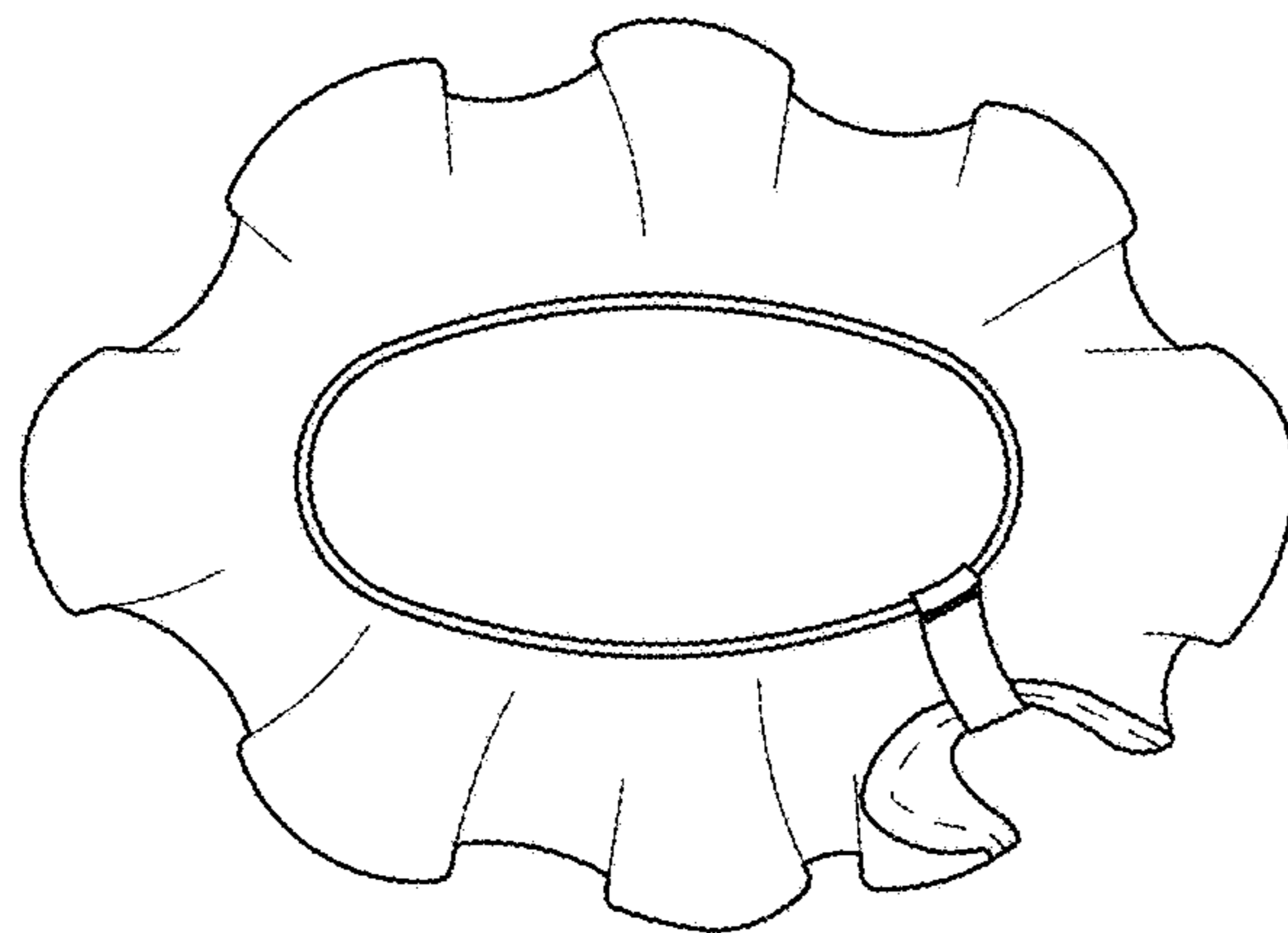


FIG. 6

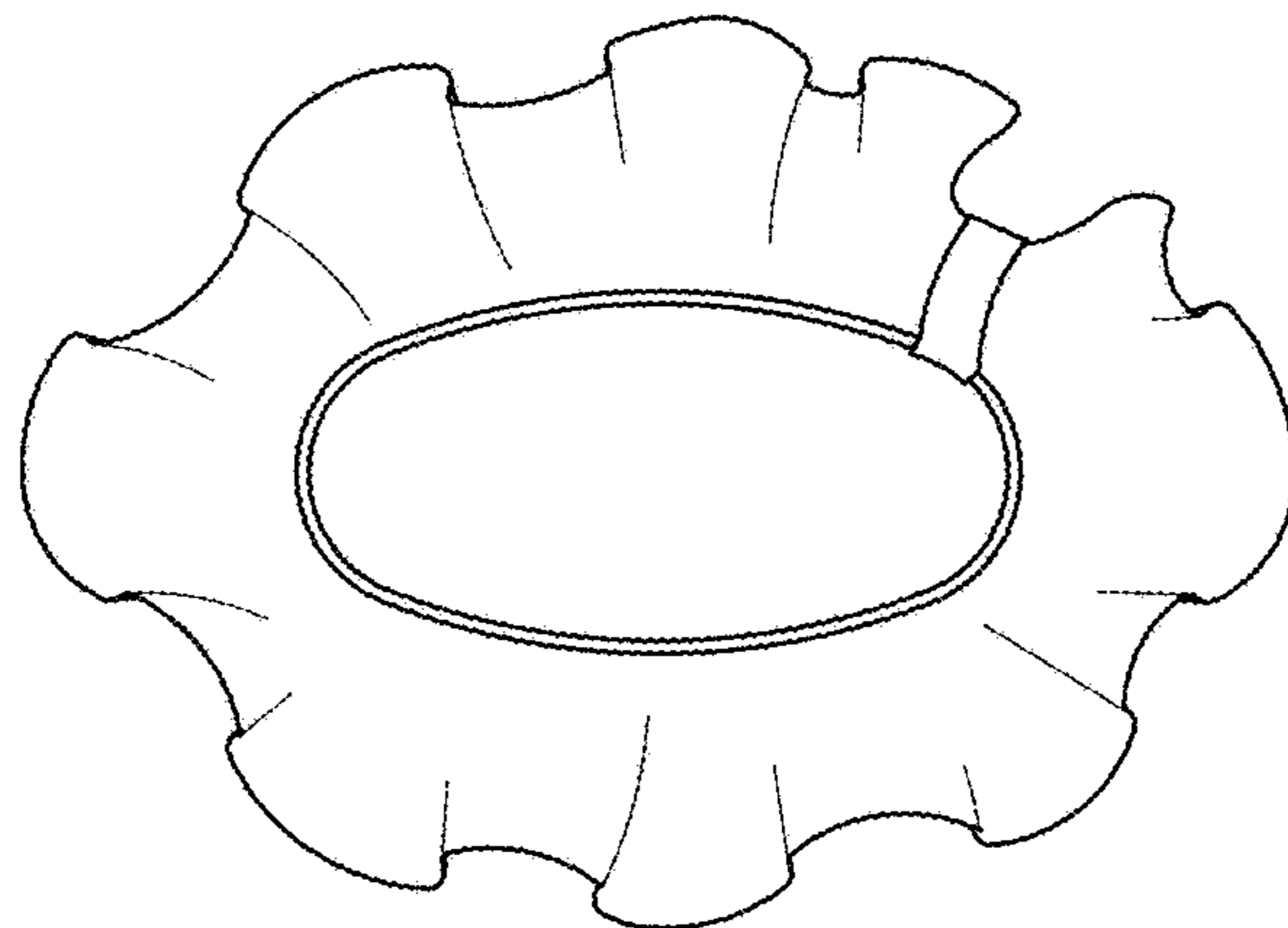


FIG. 7