



US00D816301S

(12) **United States Design Patent**  
**Notarianni et al.**

(10) **Patent No.:** **US D816,301 S**  
(45) **Date of Patent:** **\*\* May 1, 2018**

(54) **MASTECTOMY SHIRT WITH DRAIN  
POCKETS**

(71) Applicants: **Leslie Notarianni**, Meridian, ID (US);  
**Philip P. Notarianni**, Meridian, ID  
(US)

(72) Inventors: **Leslie Notarianni**, Meridian, ID (US);  
**Philip P. Notarianni**, Meridian, ID  
(US)

(\*\*) Term: **15 Years**

(21) Appl. No.: **29/584,959**

(22) Filed: **Nov. 18, 2016**

(51) **LOC (11) Cl.** ..... **02-02**

(52) **U.S. Cl.**  
USPC ..... **D2/840**

(58) **Field of Classification Search**  
USPC ..... D2/717, 720, 740, 828, 833, 836, 840,  
D2/841, 847, 849, 999  
CPC ..... A41D 27/205; A41D 2400/46; A41D  
13/1209; A41B 1/10; A41B 9/06; A45F  
2003/166; A61F 2007/023; A63B 21/4007  
See application file for complete search history.

(56) **References Cited**

**U.S. PATENT DOCUMENTS**

1,658,135	A *	2/1928	Merenna	.....	A41B 1/00 2/127
1,751,832	A *	3/1930	Menzin	.....	A41B 7/02 112/475.09
1,830,639	A *	11/1931	Caunitz	.....	A41B 1/00 2/115
2,366,440	A *	1/1945	Clifford	.....	A41B 13/08 604/388
2,517,046	A *	8/1950	Spengler	.....	A41D 13/1236 2/114
2,549,894	A *	4/1951	Crossingham	.....	A41D 1/04 2/113
3,296,627	A *	1/1967	Beard	.....	A41D 1/04 2/113

3,636,567	A *	1/1972	Benevento	.....	A41B 1/00 2/115
4,939,794	A *	7/1990	Aronson	.....	A41B 1/16 2/115
D341,471	S *	11/1993	Cross	.....	D2/717
D505,768	S *	6/2005	Dallas	.....	D2/717
D573,777	S *	7/2008	Rogers	.....	D2/841

(Continued)

*Primary Examiner* — Kevin K Rudzinski

*Assistant Examiner* — Paul D Bohannon

(74) *Attorney, Agent, or Firm* — Dunlap Bennett &  
Ludwig PLLC; Brendan E. Squire

(57) **CLAIM**

The ornamental design for a mastectomy shirt with drain pockets, as shown and described.

**DESCRIPTION**

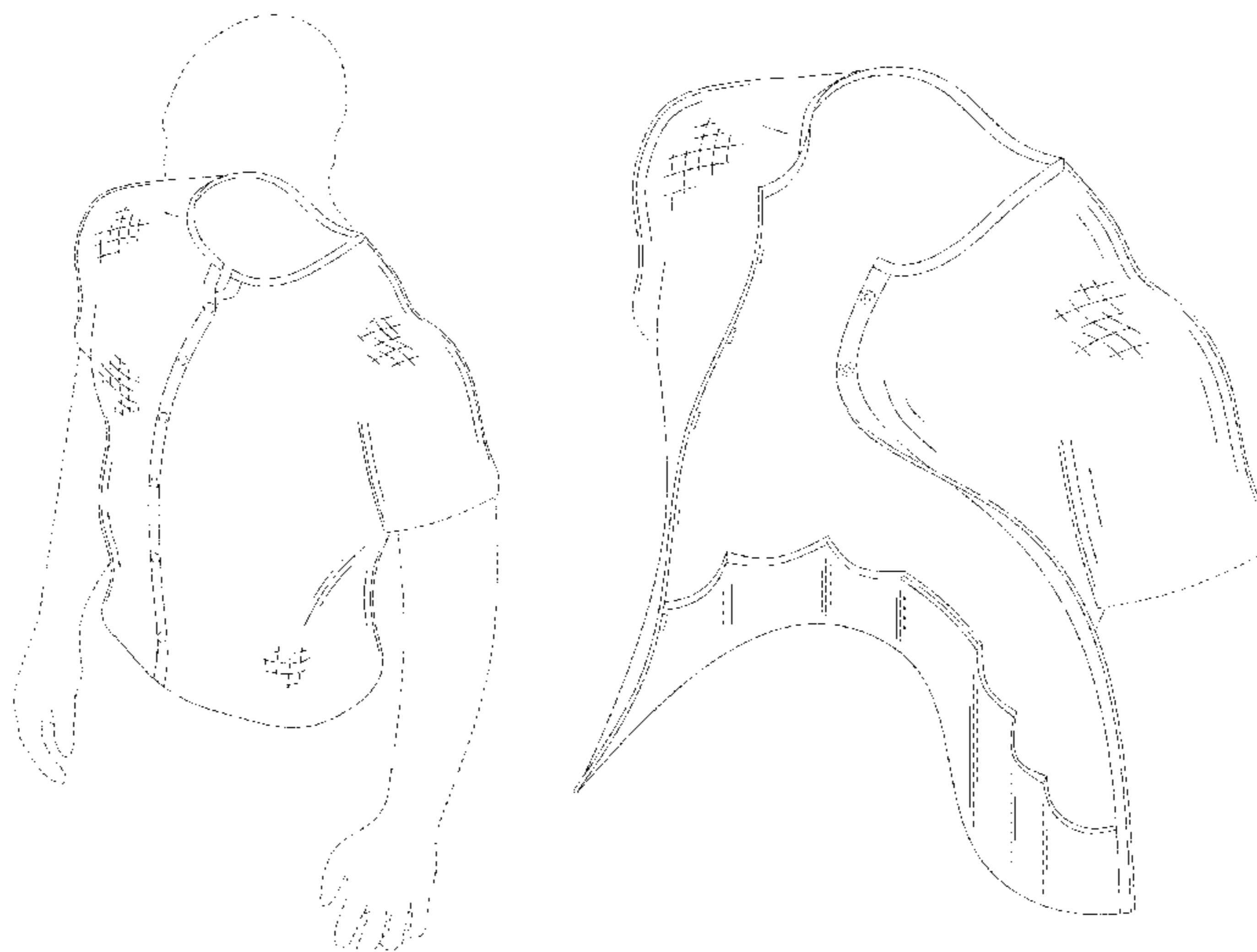
FIG. 1 is a perspective view of the mastectomy shirt with drain pockets showing our new design; FIG. 2 is a front view thereof; FIG. 3 is a top view thereof; FIG. 4 is a rear view thereof; FIG. 5 is a bottom view thereof; FIG. 6 is a right side view thereof; the left side being a mirror image thereof; FIG. 7 is a detail inside view thereof; and, FIG. 8 is a section view thereof taken along line 8-8 in FIG. 2.

The broken lines shown in the drawings illustrate portions of the mastectomy shirt with drain pockets that form no part of the claimed design.

The broken lines at the ends of the sleeves illustrate the boundary of the mastectomy shirt and forms no part of the claimed design.

The broken lines in FIG. 1 showing a human form wearing the mastectomy shirt with drain pockets in use illustrates environment and forms no part of the claim.

**1 Claim, 6 Drawing Sheets**



(56)

**References Cited**

U.S. PATENT DOCUMENTS

D630,000	S *	1/2011	Petitt .....	D2/717
D657,938	S *	4/2012	Atamian .....	D2/717
8,312,568	B2 *	11/2012	Marois .....	A41D 27/20 2/115
D674,579	S *	1/2013	Grabowski .....	D2/849
D688,849	S *	9/2013	Kochling .....	D2/840
D698,530	S *	2/2014	Levering .....	D2/847
D731,153	S *	6/2015	Bien .....	D2/847
D750,870	S *	3/2016	DeGeorge .....	D2/840
D764,145	S *	8/2016	Mathews .....	D2/828
D765,354	S *	9/2016	Nelson .....	D2/853
D767,859	S *	10/2016	Gut .....	D2/853
D775,456	S *	1/2017	Braccia .....	D2/840
9,549,574	B1 *	1/2017	Squire .....	A41B 1/10
D783,946	S *	4/2017	Marino .....	A41B 1/08 D2/840
D797,409	S *	9/2017	Yadrich .....	D2/840
D798,030	S *	9/2017	Ketcham .....	D2/840
D801,631	S *	11/2017	Marino .....	A41B 1/08 D2/720
2006/0218693	A1 *	10/2006	Sinohui, Jr. ....	A41D 1/04 2/115
2008/0078009	A1 *	4/2008	Black .....	A41D 1/04 2/115

\* cited by examiner

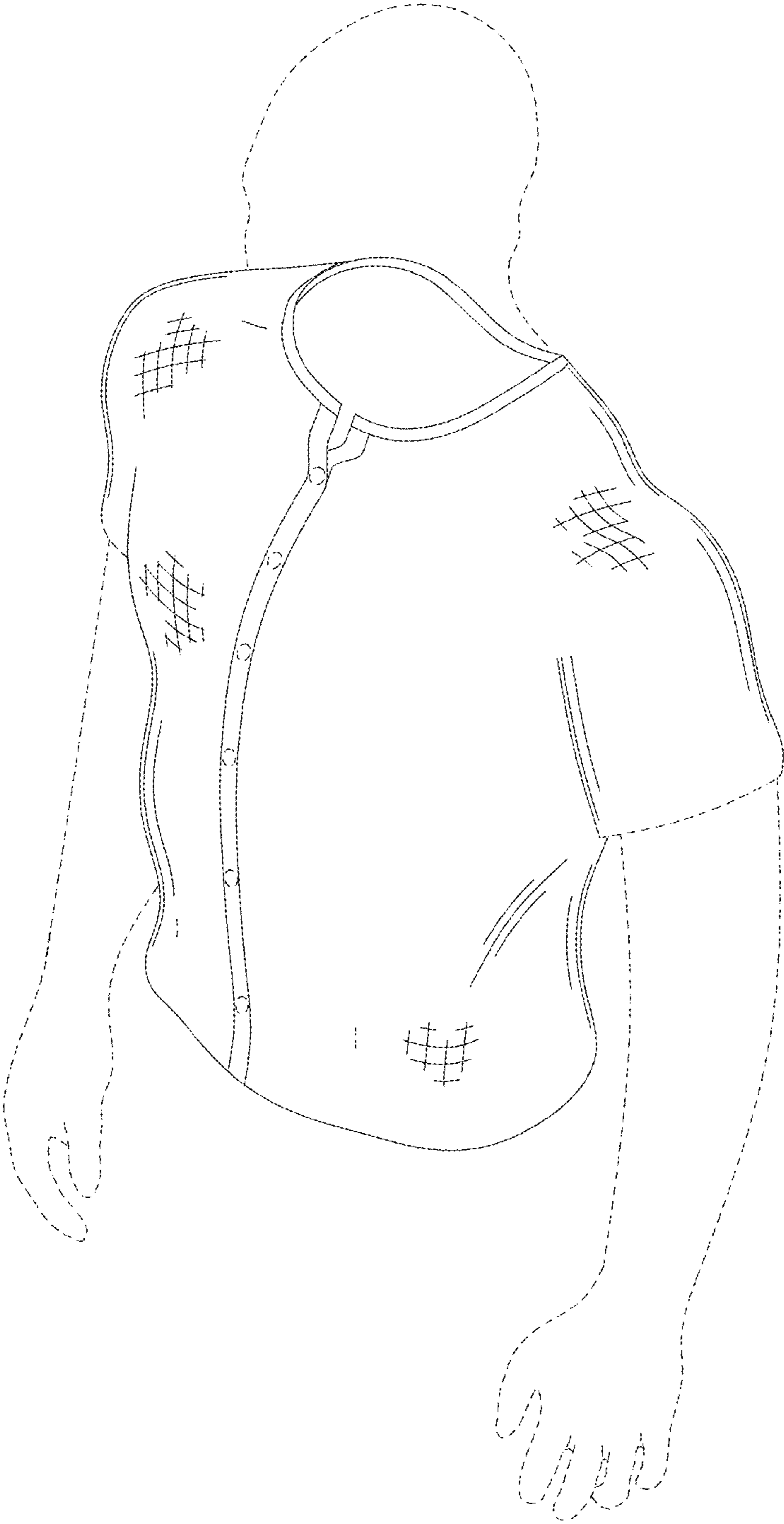


FIG. 1

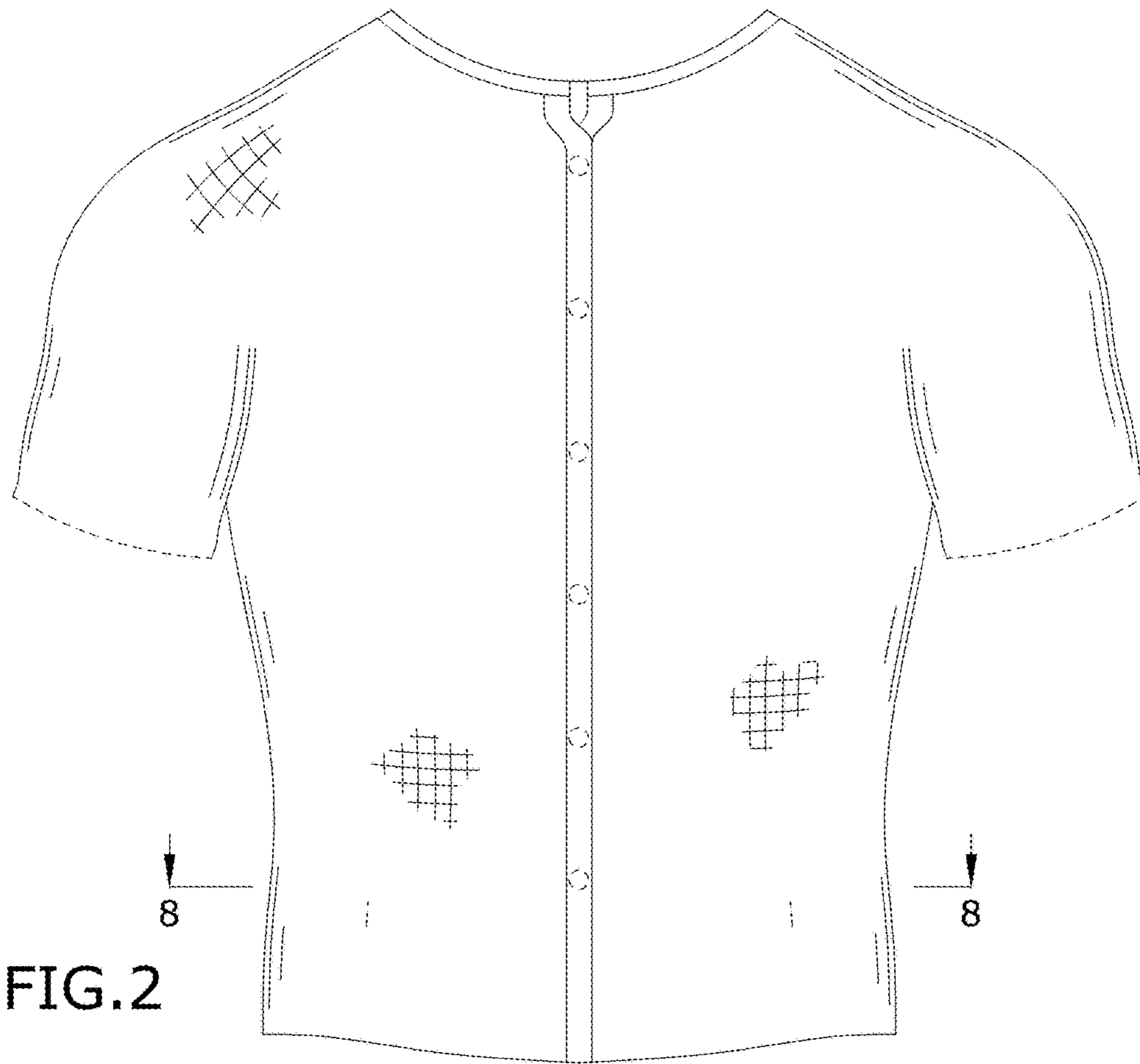


FIG. 2

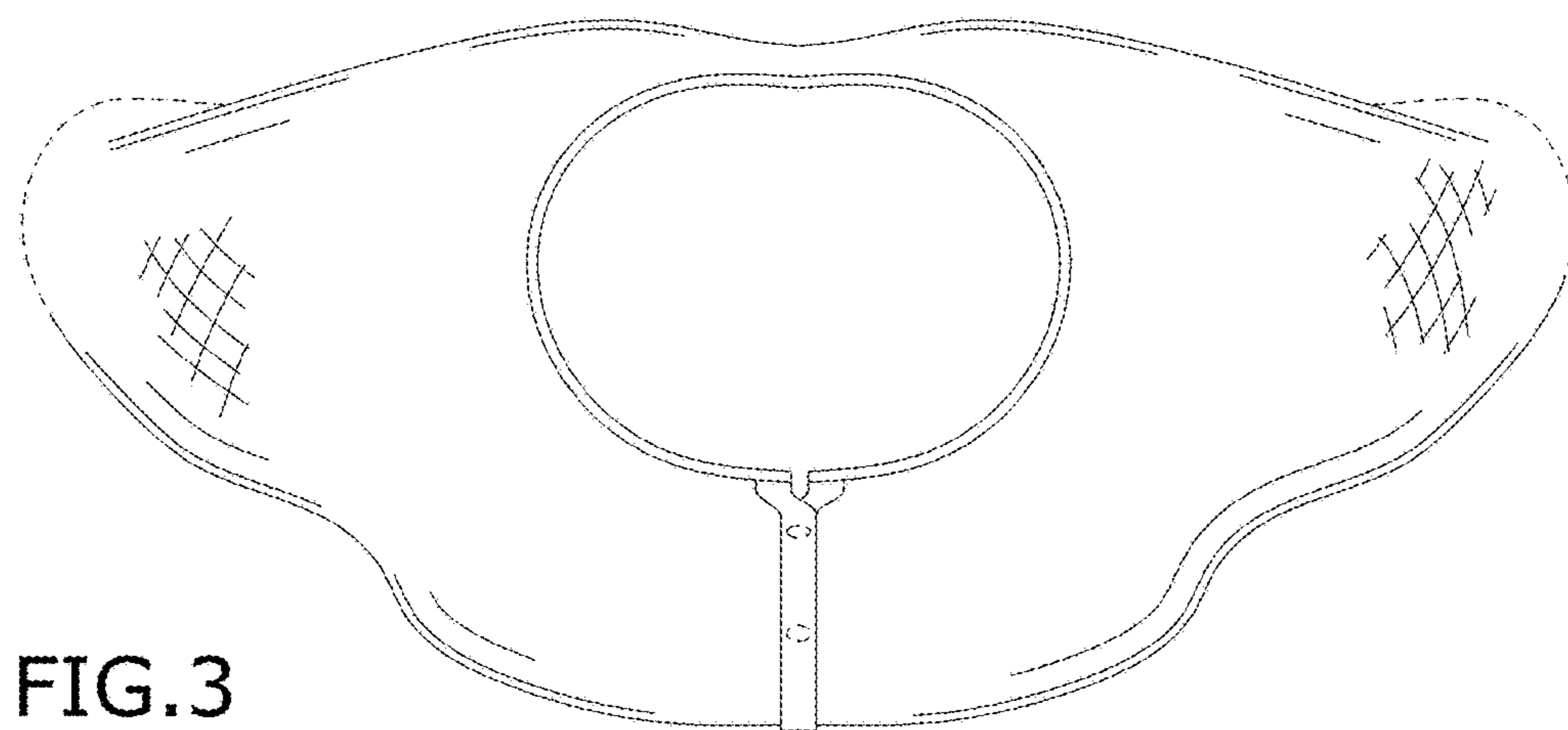


FIG. 3

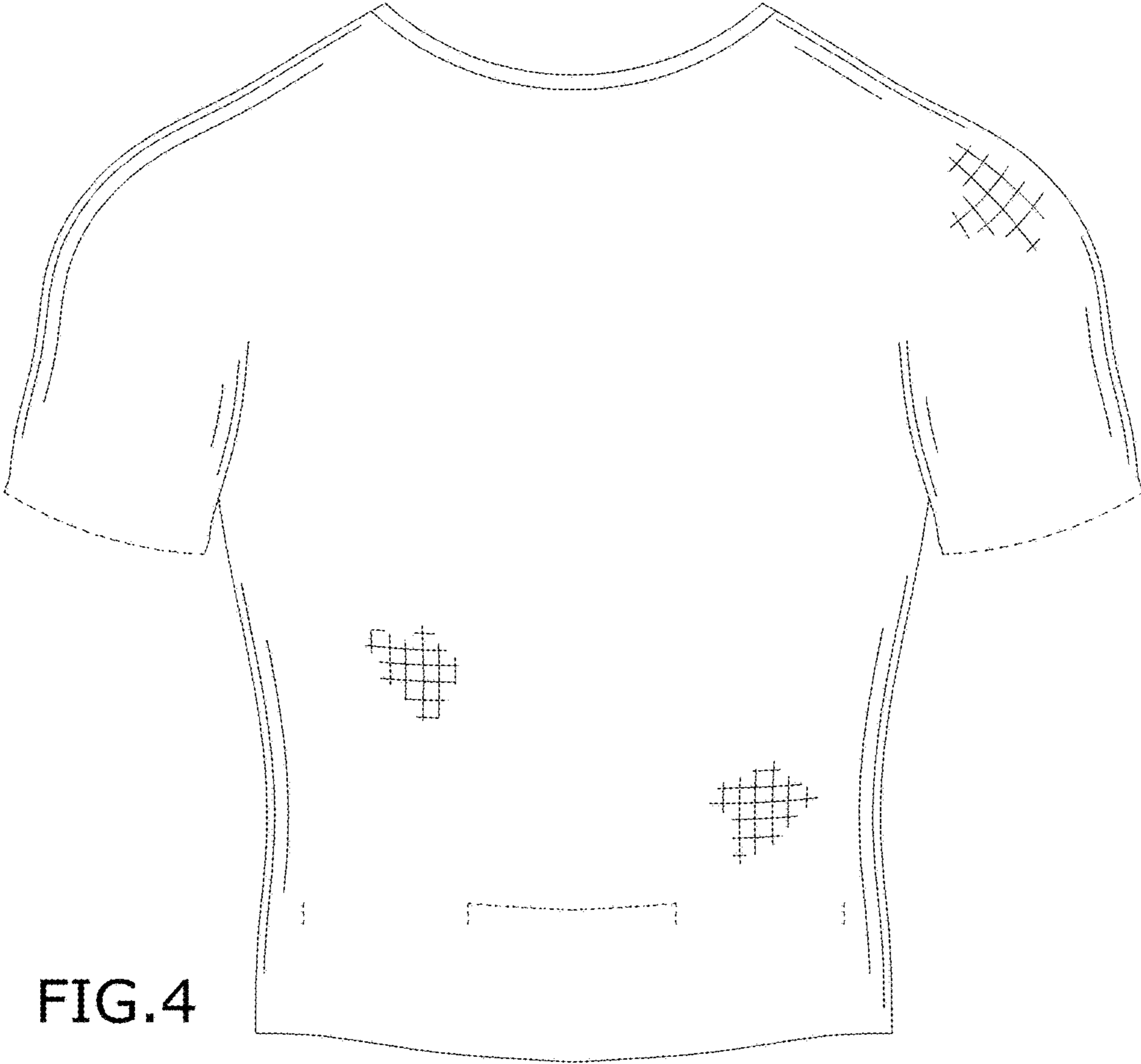


FIG. 4

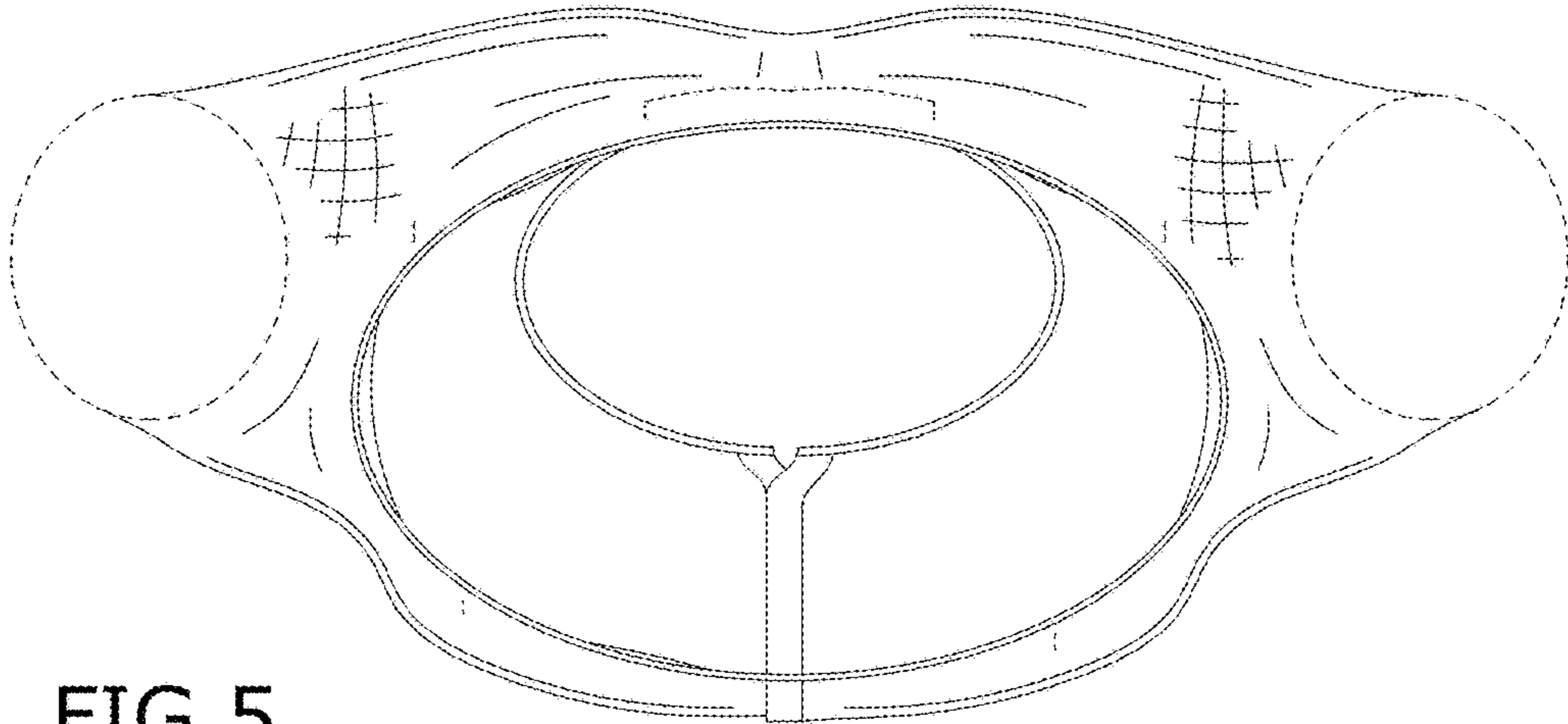


FIG. 5



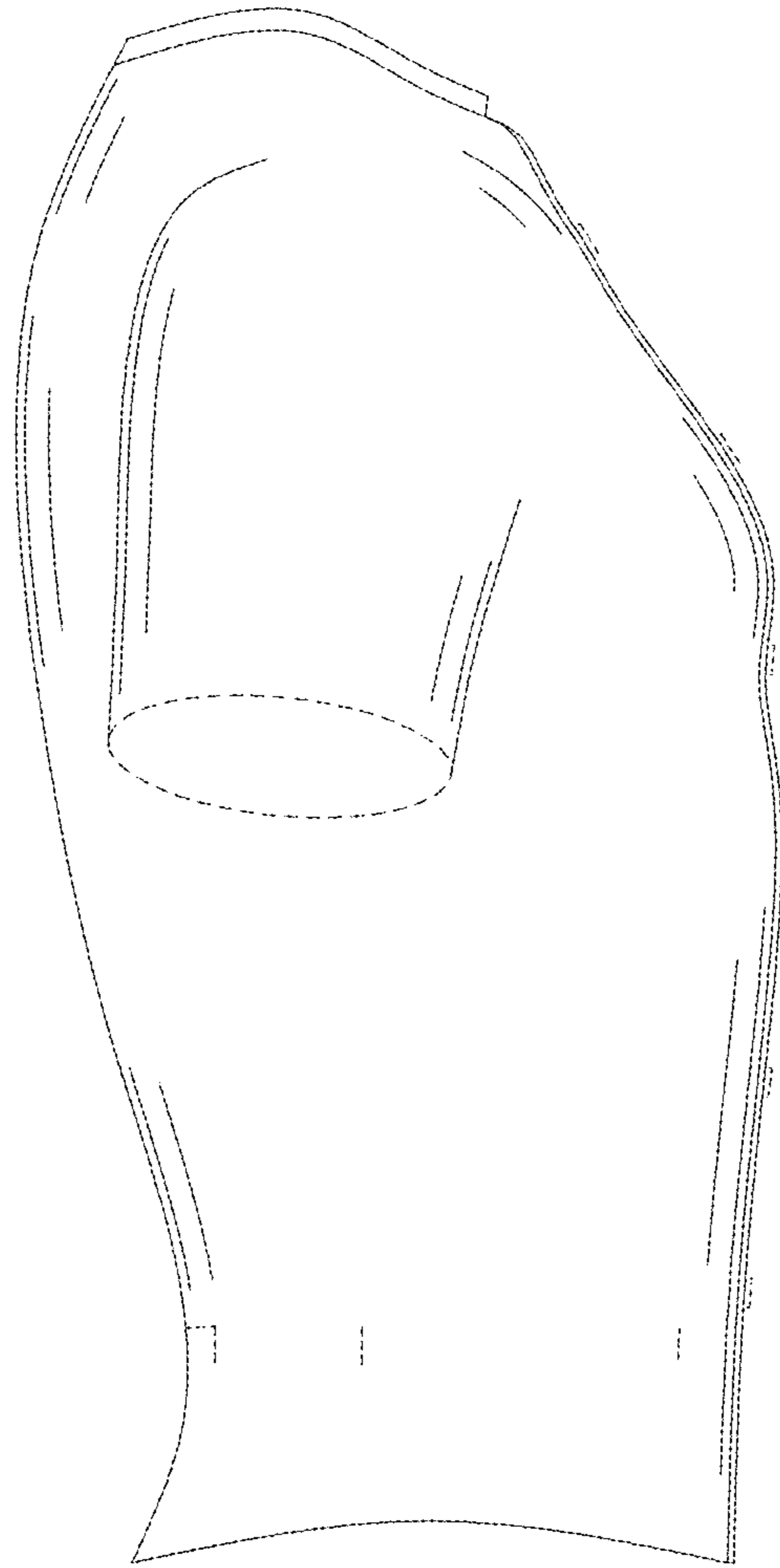


FIG.6

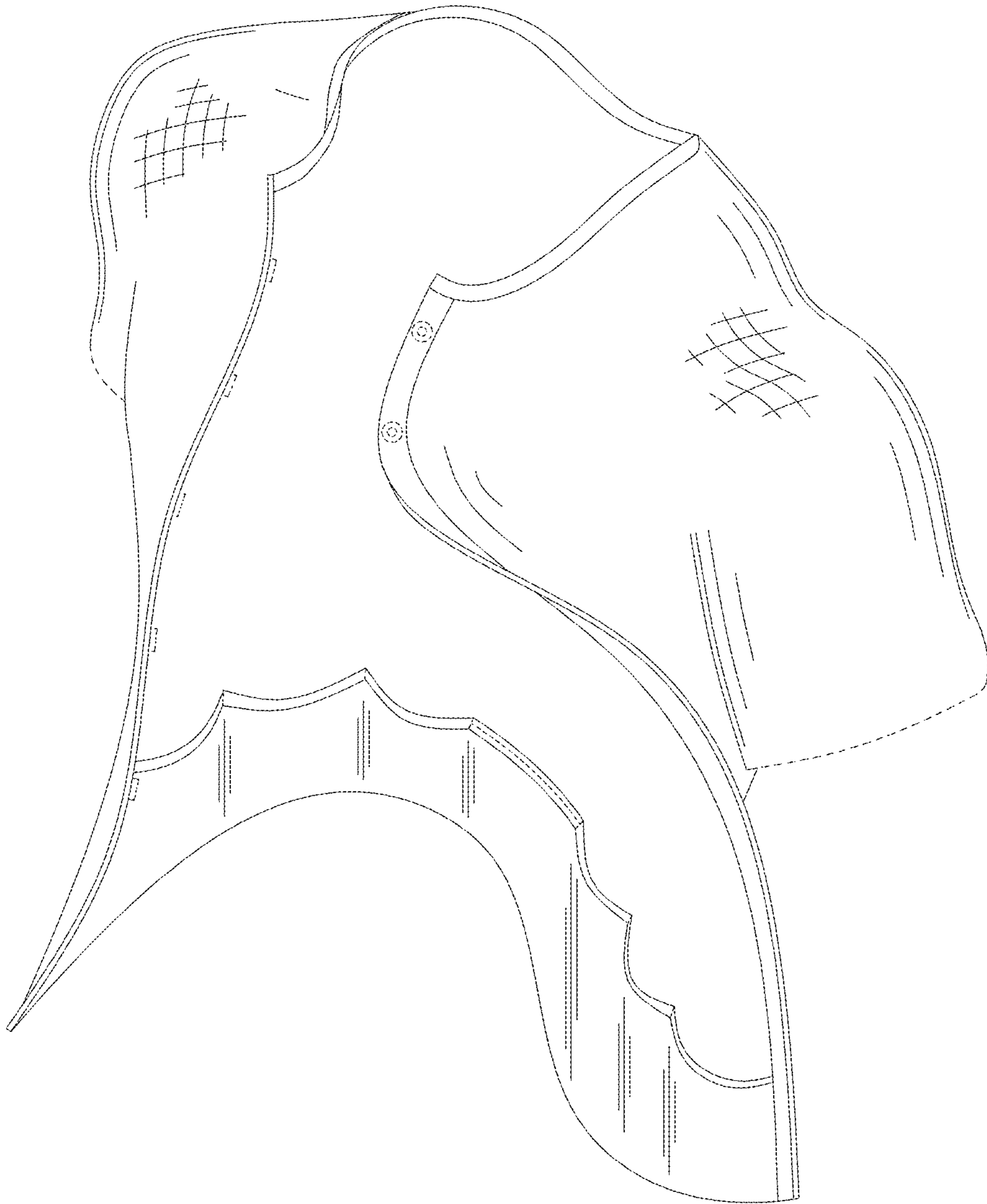


FIG. 7

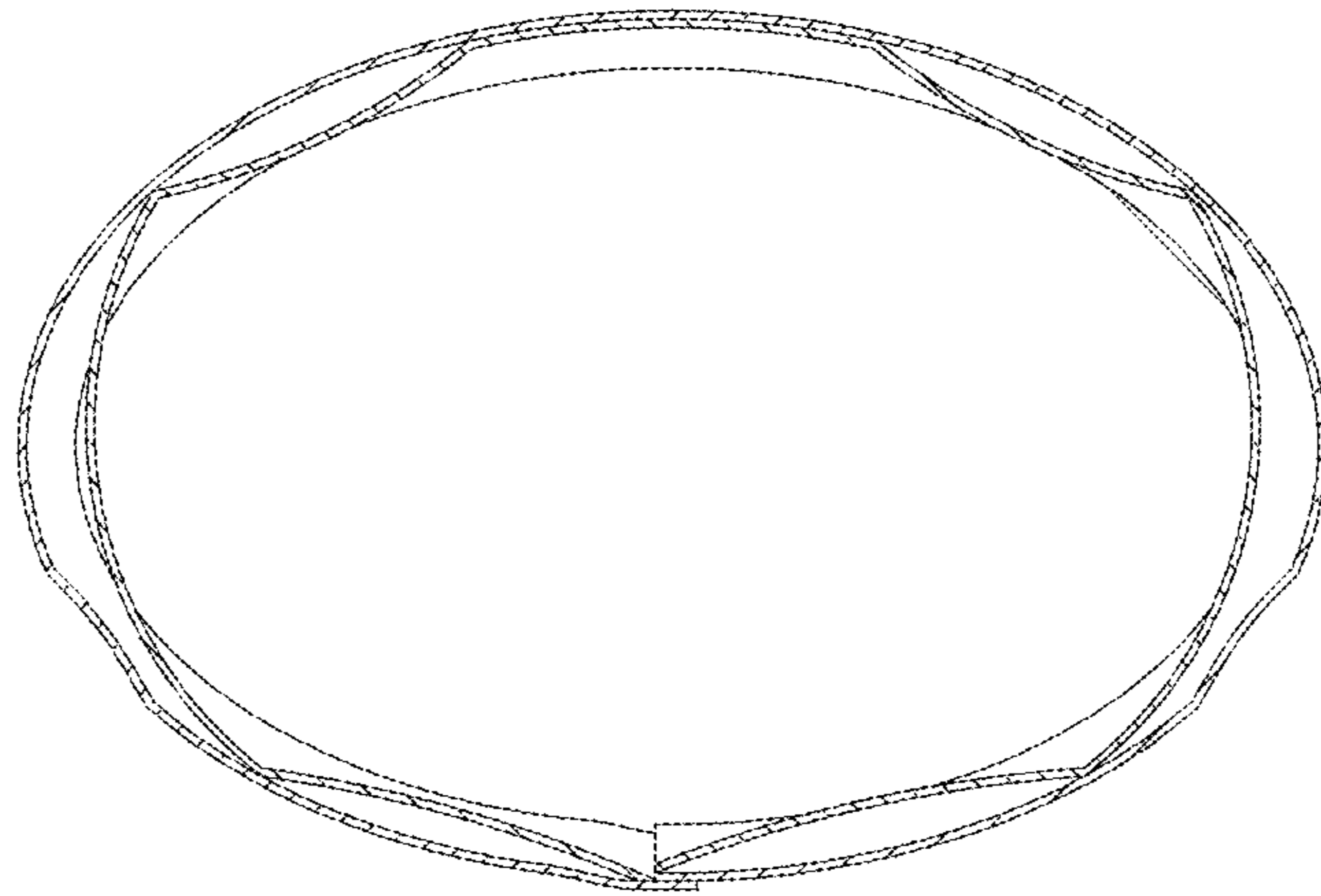


FIG.8