



US00D816297S

(12) **United States Design Patent**  
**Eyth**

(10) **Patent No.:** **US D816,297 S**

(45) **Date of Patent:** **\*\* May 1, 2018**

(54) **CONFIGURABLE GARMENT FOR INFANTS AND CHILDREN**

(71) Applicant: **Jennifer Batson Eyth**, Pacific Grove, CA (US)

(72) Inventor: **Jennifer Batson Eyth**, Pacific Grove, CA (US)

(73) Assignee: **Jennifer Batson Eyth**

(\*\*) Term: **15 Years**

(21) Appl. No.: **29/582,544**

(22) Filed: **Oct. 28, 2016**

(51) **LOC (11) Cl.** ..... **02-02**

(52) **U.S. Cl.**  
USPC ..... **D2/745**

(58) **Field of Classification Search**  
USPC ..... D2/712-714, 718-719, 731-734, 728, D2/742-746; 2/69.5, 73-74, 80, 111  
CPC .... A41D 1/00; A41B 1/00; A41B 1/04; A41B 1/06; A41B 13/00; A41B 13/08; A41B 2300/00; A41B 9/007; A41B 9/06  
See application file for complete search history.

(56) **References Cited**

**U.S. PATENT DOCUMENTS**

- 1,095,476 A \* 5/1914 Sprague ..... A41B 13/00 2/80
- 1,267,944 A \* 5/1918 Webb ..... A41D 1/22 2/72
- 1,292,703 A \* 1/1919 Carter ..... A41B 13/00 2/80
- D56,450 S \* 10/1920 Miller et al. .... D2/745
- 1,382,461 A \* 6/1921 Berry ..... A41D 11/00 2/80
- D58,308 S \* 7/1921 Freeman ..... D2/733

- D59,570 S \* 11/1921 Varnhagen ..... 2/80
- 1,758,081 A \* 5/1930 Masters ..... A41B 13/00 2/75
- D107,483 S \* 12/1937 Haight ..... D2/731
- D140,585 S \* 3/1945 Karpfen ..... D2/733
- 2,450,631 A \* 10/1948 Buchler ..... A41D 11/00 2/406
- D157,585 S \* 3/1950 Greene ..... D2/733
- 2,524,221 A \* 10/1950 Feeney ..... A41B 13/00 2/80
- 2,570,428 A \* 10/1951 Clifford ..... A41D 11/00 2/70

(Continued)

*Primary Examiner* — Eric L Goodman  
*Assistant Examiner* — Amy C Wierenga

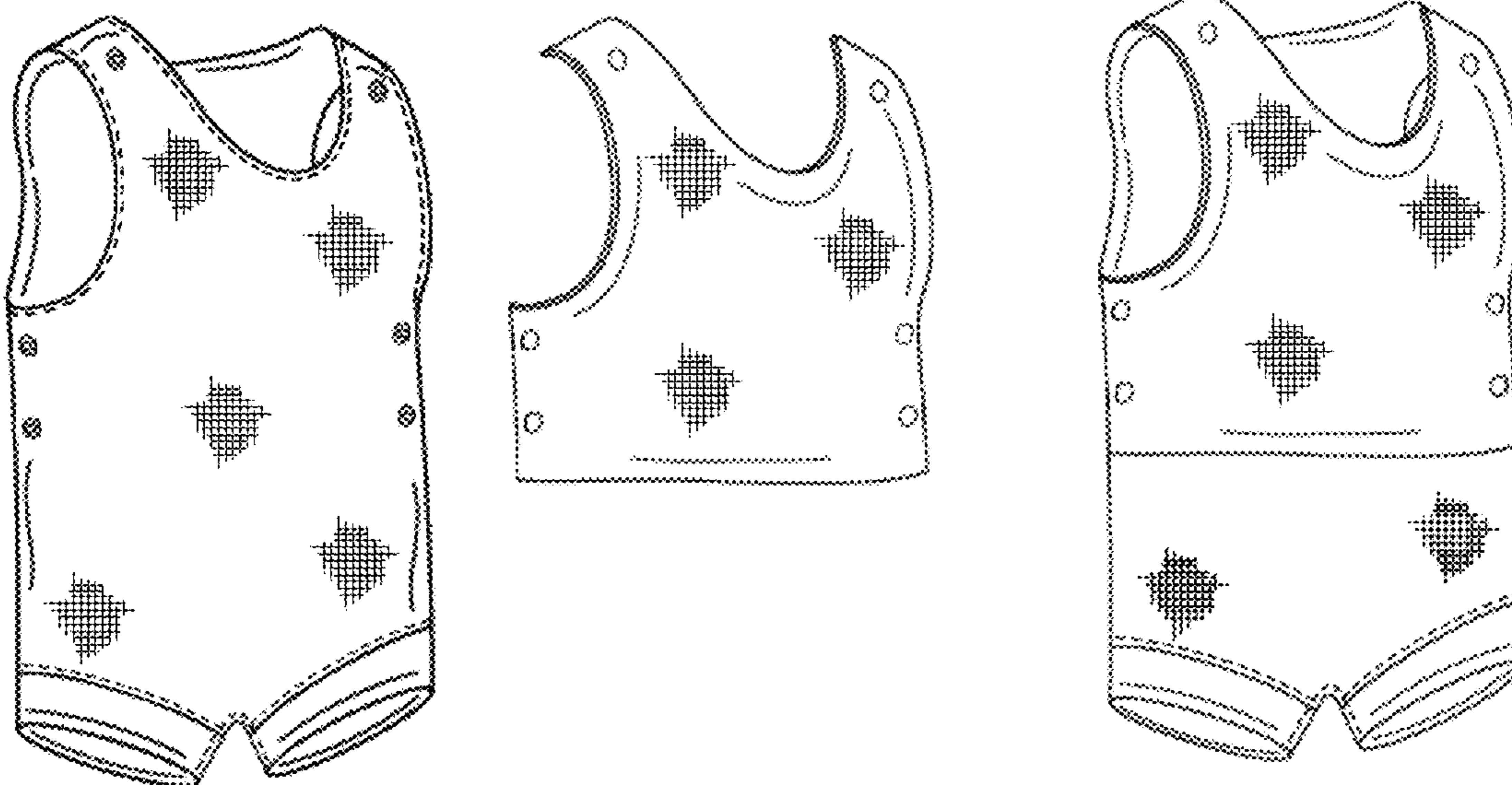
(57) **CLAIM**

The ornamental design for a configurable garment for infants and children, as shown and described.

**DESCRIPTION**

FIG. 1 is a front perspective view of the configurable garment for infants and children showing my new design, with the selectively attachable panel detached;  
FIG. 2 is a front perspective view of FIG. 1 with the panel attached;  
FIG. 3 is a front view of FIG. 1 without the panel attached;  
FIG. 4 is a rear view of FIG. 1 without the panel attached;  
FIG. 5 is a right side view of FIG. 1 without the panel attached;  
FIG. 6 is a left side view of FIG. 1 without the panel attached;  
FIG. 7 is a top view of FIG. 1 without the panel attached; and,  
FIG. 8 is a bottom view of FIG. 1 without the panel attached. The broken lines in FIGS. 1-8 depict stitching that form no part of the claim.

**1 Claim, 7 Drawing Sheets**



(56)

**References Cited**

U.S. PATENT DOCUMENTS

2,652,057	A *	9/1953	Siegel .....	A41B 13/00 2/80
2,663,022	A *	12/1953	Aaronson .....	A41B 13/00 2/80
2,808,590	A *	10/1957	Siegel .....	A41B 13/00 2/111
D438,364	S *	3/2001	Knoefel .....	D2/713
2004/0006805	A1 *	1/2004	Broeksmit .....	A41B 13/00 2/80
2005/0034204	A1 *	2/2005	Kassai .....	A41B 13/00 2/69
2009/0223427	A1 *	9/2009	Turney .....	A41B 13/00 112/475.09

\* cited by examiner

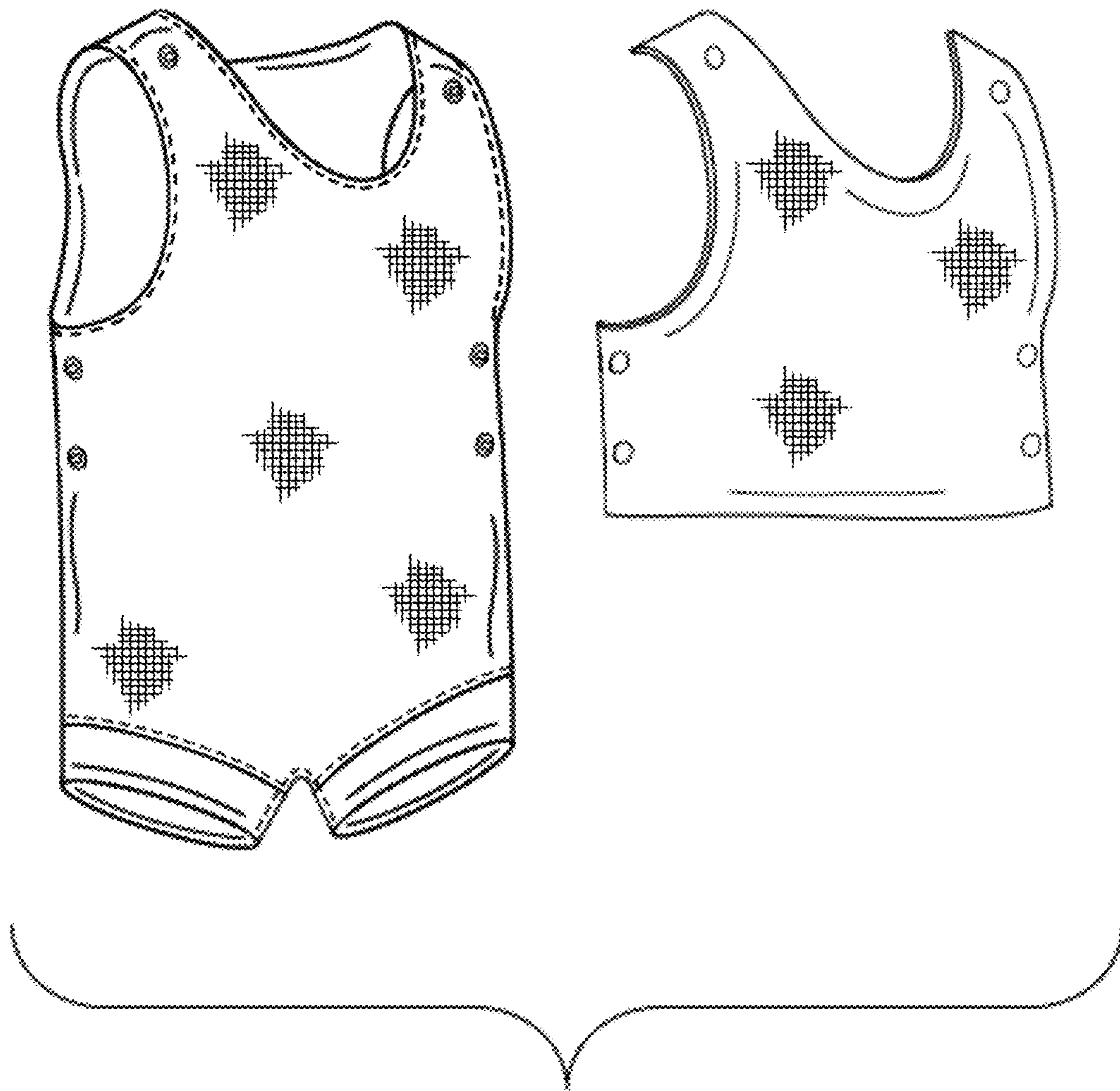


FIG. 1

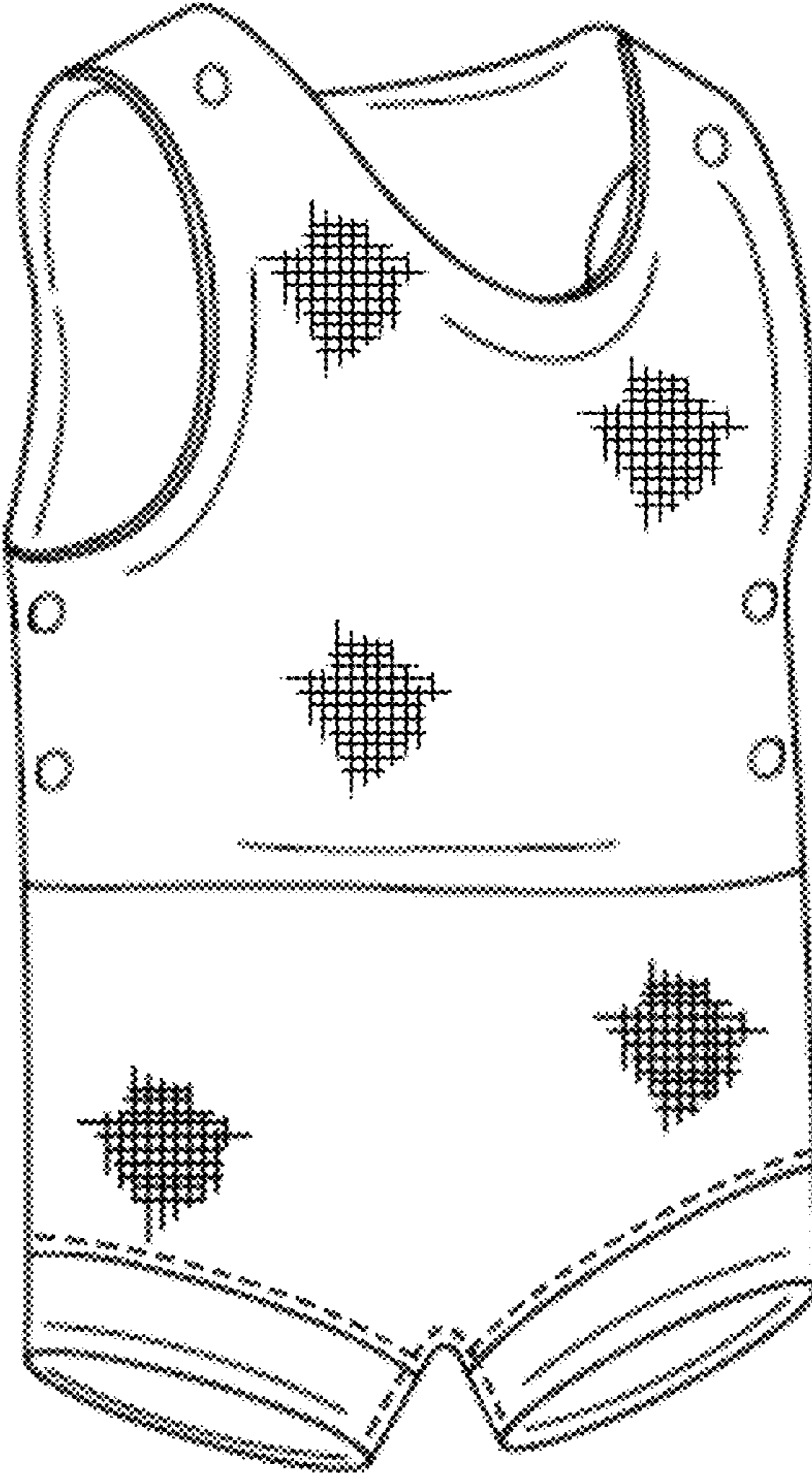


FIG. 2

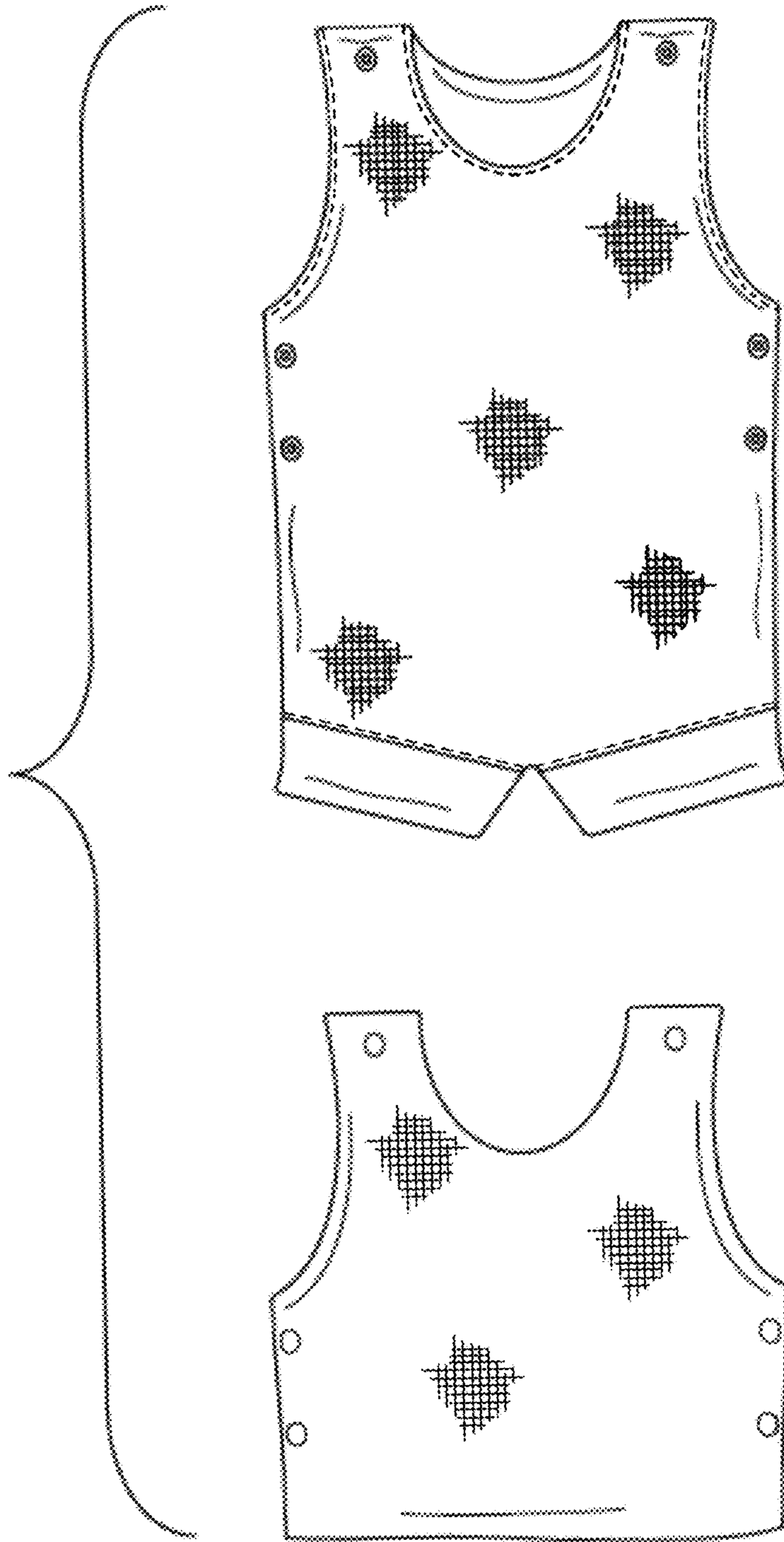


FIG. 3

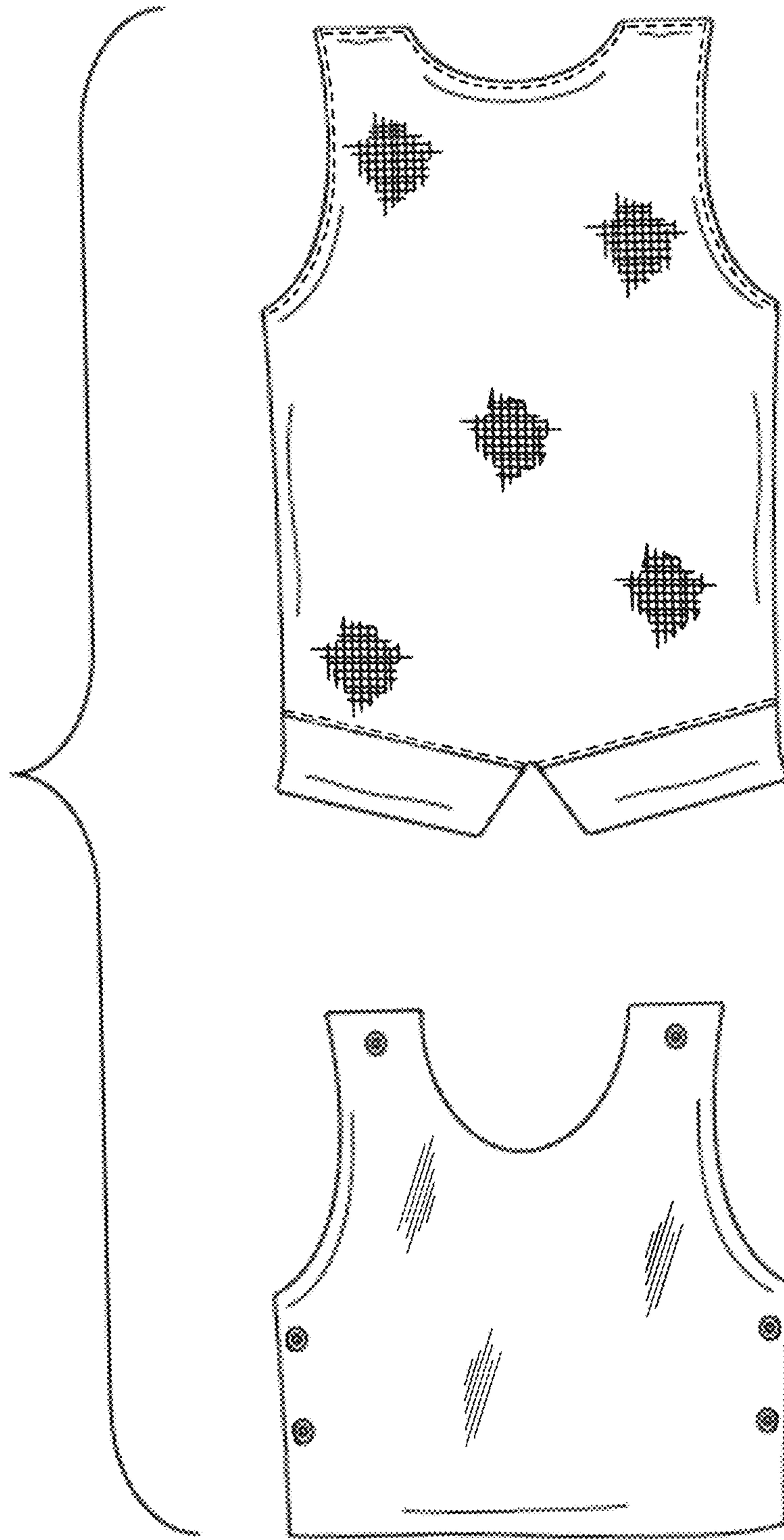


FIG. 4

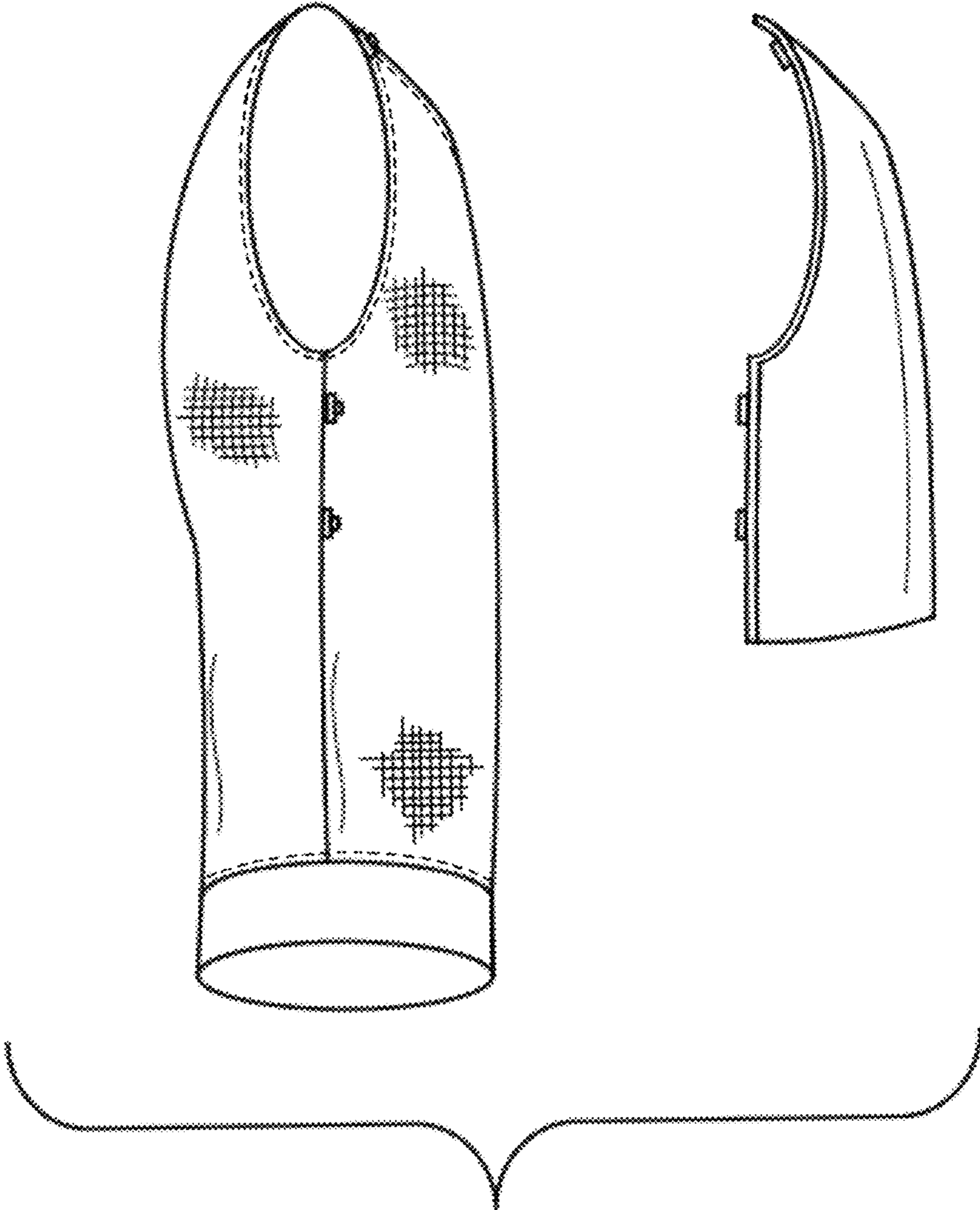


FIG. 5

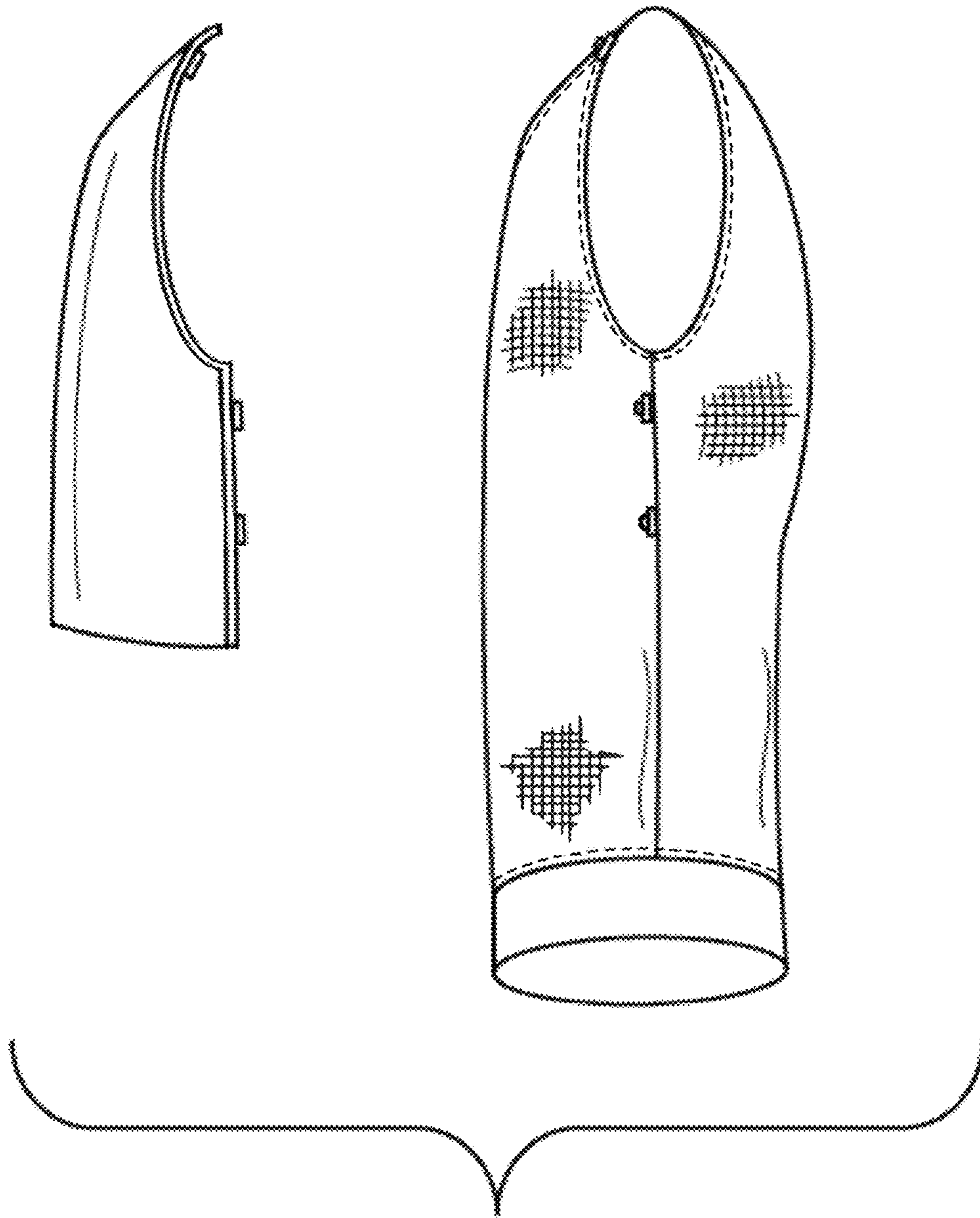


FIG. 6



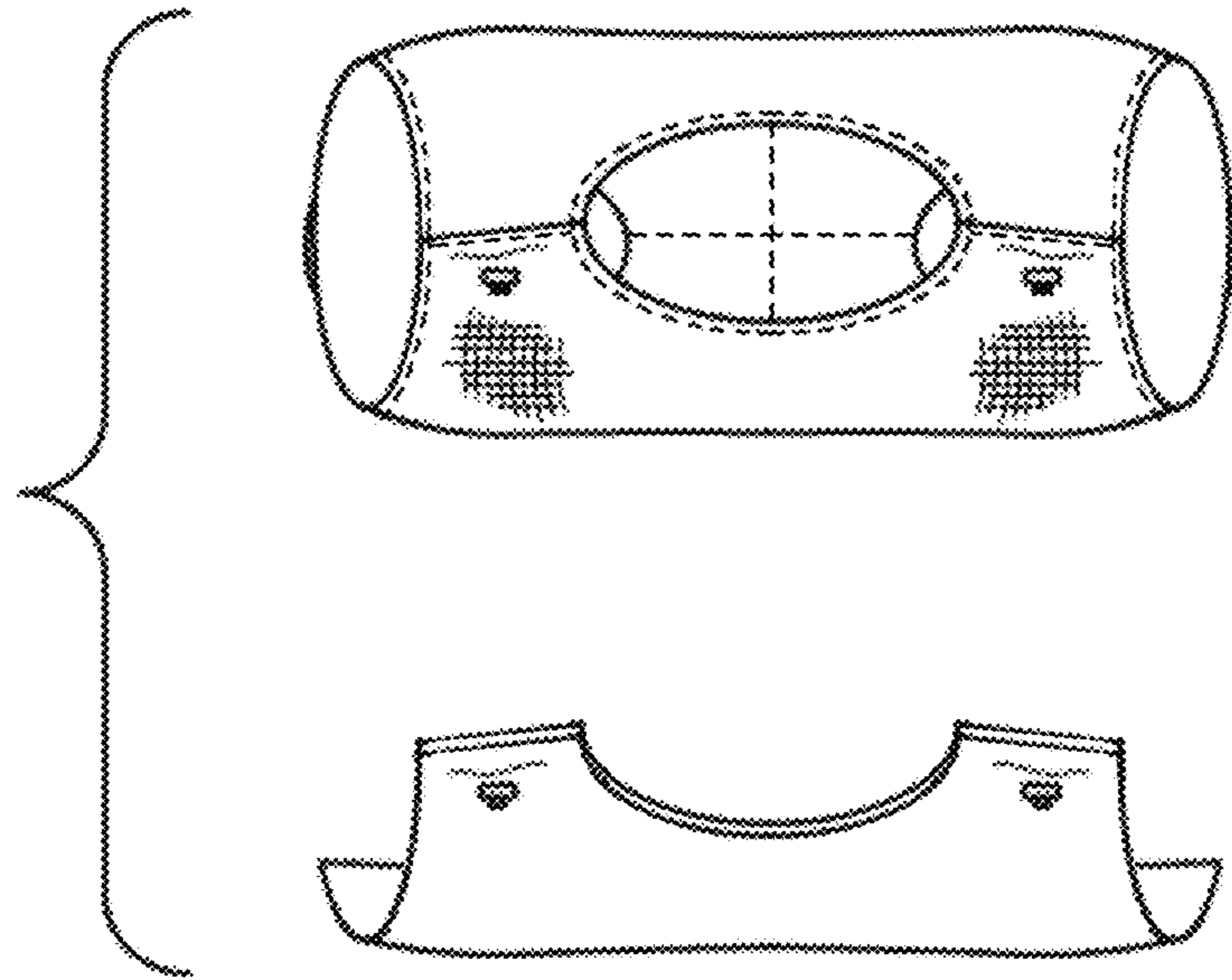


FIG. 7

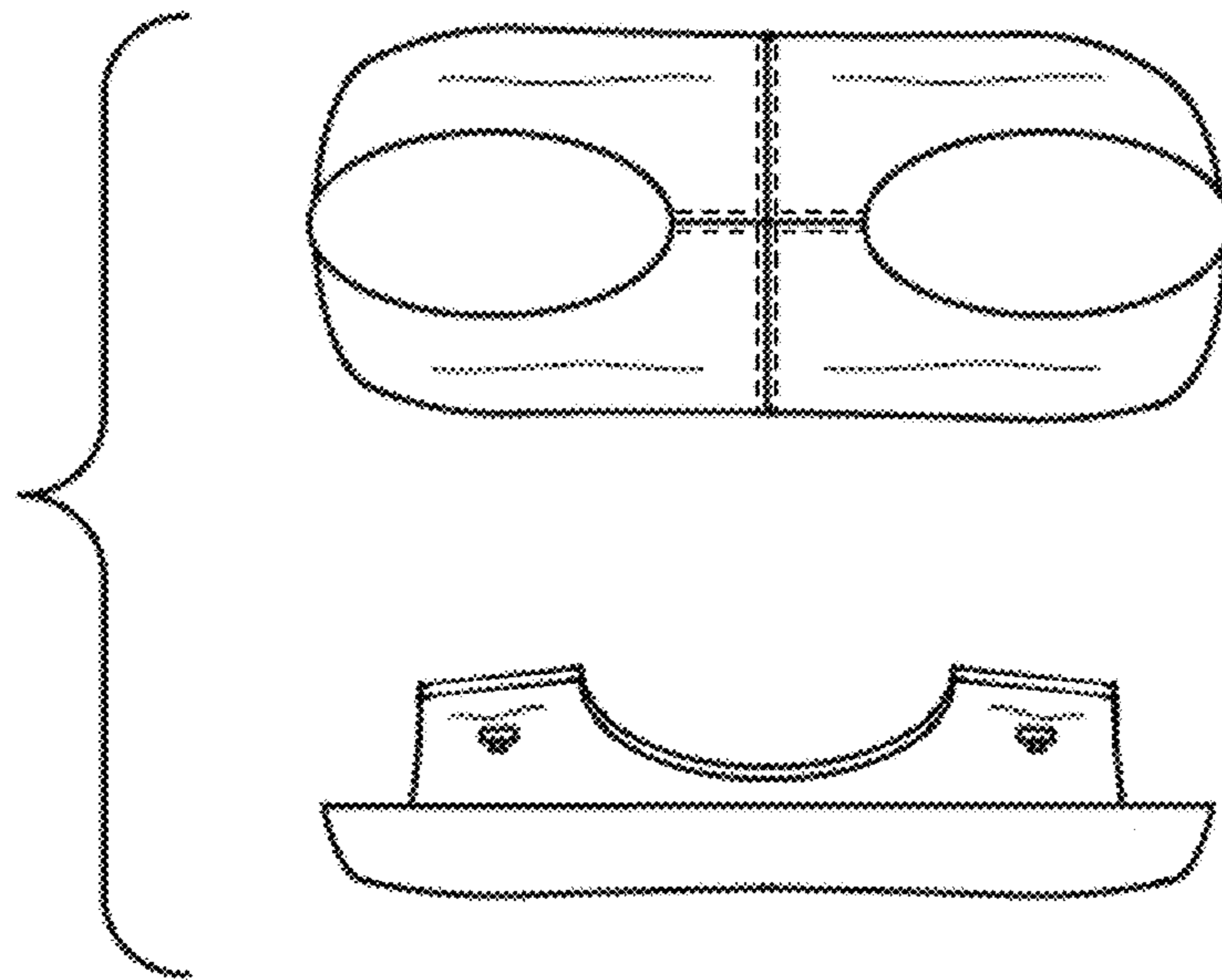


FIG. 8