



US00D816293S

(12) **United States Design Patent** (10) **Patent No.:** **US D816,293 S**
Miller et al. (45) **Date of Patent:** **** *May 1, 2018**

- (54) **GARMENT BOTTOM**
- (71) Applicant: **Under Armour, Inc.**, Baltimore, MD (US)
- (72) Inventors: **Merida Miller**, Baltimore, MD (US);
Nicole Parisi, New York, NY (US);
Elyse Alligood, New York, NY (US);
Jeanne Foley, New York, NY (US)
- (73) Assignee: **UNDER ARMOUR, INC.**, Baltimore, MD (US)

2,930,046 A 3/1960 Sagner
 3,137,862 A 6/1964 Mizerak
 D235,937 S 7/1975 Froidh
 D275,619 S 9/1984 Birring
 (Continued)

FOREIGN PATENT DOCUMENTS

DE 19850874 A1 2/2000
 JP 2012101902 A 5/2012
 (Continued)

OTHER PUBLICATIONS

Athleta Catalog, Runabout Pant, Item J, p. 37, Fall 2011, Petaluma, California.

(Continued)

Primary Examiner — Eric L Goodman
Assistant Examiner — Amy C Wierenga
 (74) *Attorney, Agent, or Firm* — Edell, Shapiro & Finnan, LLC

- (*) Notice: This patent is subject to a terminal disclaimer.
- (**) Term: **15 Years**

- (21) Appl. No.: **29/565,726**
- (22) Filed: **May 24, 2016**
- (51) **LOC (11) Cl.** **02-02**
- (52) **U.S. Cl.**
USPC **D2/731**
- (58) **Field of Classification Search**
USPC D2/711–712, 716–717, 728, 731, 738,
D2/742, 748, 791, 851, 857; 2/228, 237,
2/238, 275, 244, 400, 404, 242, 407
CPC A41D 1/08; A41D 1/20; A41D 13/0506;
A41D 13/0015; A41D 23/00; A41D
23/30; A41D 23/322; A41B 9/02; A41B
11/00; A63B 71/12; A63B 71/1216; A44B
19/00; A44B 19/02; A44B 19/18; A44D
22/00

See application file for complete search history.

(56) **References Cited**

U.S. PATENT DOCUMENTS

- 1,737,882 A * 12/1929 Hatch A41D 1/08
2/227
- 1,920,061 A 7/1933 Carr
- 2,216,897 A * 10/1940 Zoob A41B 9/02
2/401
- 2,492,862 A 12/1949 Harvey

(57) **CLAIM**

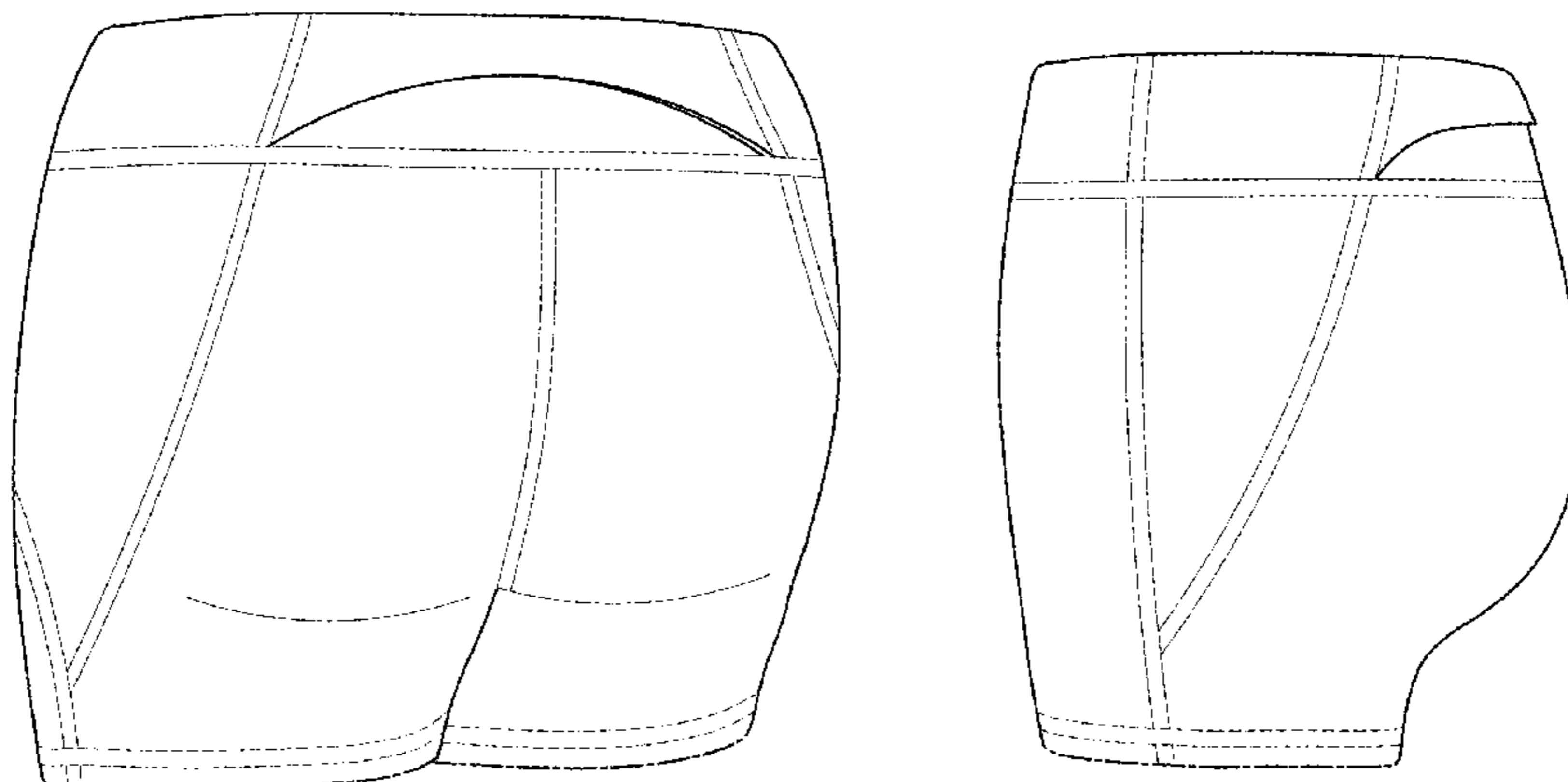
The ornamental design for a garment bottom, as shown and described.

DESCRIPTION

FIG. 1 is a rear perspective view of a garment bottom showing our new design;
 FIG. 2 is front view thereof;
 FIG. 3 is a rear view thereof;
 FIG. 4 is a left side view thereof;
 FIG. 5 is a right side view thereof;
 FIG. 6 is a top view thereof; and,
 FIG. 7 is a bottom view thereof.

The evenly dashed broken lines in the drawings depict stitching that form no part of the claim. The broken dot-dashed lines define the bounds of the claim and form no part thereof.

1 Claim, 4 Drawing Sheets



(56)

References Cited

U.S. PATENT DOCUMENTS

D281,540 S 12/1985 Ternstrom
 D284,036 S 6/1986 Birring
 D315,630 S 3/1991 Larsen
 5,161,257 A 11/1992 Arensdorf et al.
 D339,902 S 10/1993 Doherty
 5,544,366 A 8/1996 Kato
 D378,947 S 4/1997 Desmond
 D382,386 S 8/1997 Malone
 5,671,481 A 9/1997 Giard
 5,954,564 A 9/1999 Ganz
 6,006,363 A 12/1999 Karlin
 D514,280 S * 2/2006 Ota D2/731
 D514,774 S 2/2006 Africa et al.
 D515,282 S 2/2006 Africa et al.
 D525,765 S * 8/2006 Arensdorf D2/712
 D532,958 S 12/2006 Kent
 D572,430 S 7/2008 Wong
 D613,037 S 4/2010 Iamartino et al.
 D613,928 S 4/2010 Iamartino et al.
 D615,279 S 5/2010 Savage
 D618,434 S 6/2010 Iamartino et al.
 D618,435 S 6/2010 Iamartino et al.
 D619,784 S 7/2010 Kanada et al.
 D638,608 S * 5/2011 Gregory D2/738
 D641,134 S 7/2011 Zarabi
 D641,539 S 7/2011 Zarabi
 D645,644 S 9/2011 Iamartino
 D646,047 S 10/2011 Arensdorf
 D650,589 S 12/2011 Overton
 8,104,654 B2 1/2012 Overton
 D654,661 S 2/2012 Savage
 D659,290 S 5/2012 Overton
 D660,553 S 5/2012 Farina et al.
 D661,872 S 6/2012 Iamartino
 D662,281 S 6/2012 Iamartino
 D663,075 S 7/2012 Overton
 8,214,922 B2 7/2012 Moore et al.
 D668,434 S 10/2012 Iamartino
 8,321,964 B2 12/2012 Gernes
 D673,756 S 1/2013 Agnew et al.
 D686,801 S 7/2013 Farina
 D687,214 S 8/2013 Farina et al.
 8,555,419 B2 10/2013 Demarest et al.
 D702,018 S 4/2014 Ferraro
 D702,918 S 4/2014 Radford et al.
 D722,742 S 2/2015 Abrams
 9,021,615 B2 5/2015 Cockram
 D740,549 S 10/2015 Nejjar
 D741,045 S 10/2015 Scherr et al.
 D743,144 S 11/2015 Swan

D746,022 S 12/2015 Maier
 D747,844 S 1/2016 Dawson
 D747,845 S 1/2016 Pasloski
 D753,896 S 4/2016 Yoo
 D756,069 S 5/2016 Astin
 D759,345 S 6/2016 Astin
 D764,143 S * 8/2016 Gallo D2/731
 D768,357 S 10/2016 White et al.
 D775,784 S * 1/2017 Puni D2/731
 D778,535 S * 2/2017 Lomax D2/731
 D778,539 S * 2/2017 Kandarian D2/742
 D783,933 S 4/2017 Darmour
 D783,937 S * 4/2017 Miller D2/731
 D786,534 S * 5/2017 Alligood D2/731
 D786,535 S * 5/2017 Grosse D2/738
 D790,159 S 6/2017 Moore
 D790,160 S 6/2017 Lomax
 D794,903 S 8/2017 Johnston
 D794,904 S 8/2017 Johnston
 D796,152 S * 9/2017 Miller D2/731
 2004/0031830 A1 2/2004 Davis
 2008/0083055 A1 4/2008 Onda
 2008/0189832 A1 8/2008 Oscher
 2011/0009793 A1 1/2011 Lucero et al.
 2011/0131705 A1 6/2011 Waldman et al.
 2012/0036615 A1 2/2012 Bradstreet et al.
 2012/0311758 A1 12/2012 Nicholson et al.
 2013/0026203 A1 1/2013 Overton
 2013/0048687 A1 2/2013 Do
 2013/0305433 A1 11/2013 Hedrick
 2014/0182044 A1 7/2014 Cole
 2014/0276325 A1 9/2014 Turkbaz
 2015/0216245 A1 8/2015 Kinsley
 2016/0213071 A1 7/2016 Vornle von Haagenfels
 2016/0302494 A1 10/2016 Smart
 2016/0338435 A1 11/2016 Aihara
 2017/0238634 A1 * 8/2017 Berns A41D 27/205

FOREIGN PATENT DOCUMENTS

JP 2012171673 A 9/2012
 WO 9222463 A1 12/1992
 WO 2013020083 A1 2/2013

OTHER PUBLICATIONS

Athleta Catalog, Organic Cotton Salamba Pant, p. 64, Fall 2011, Petaluma, California.
 Athleta Catalog, Kickbooty Pant, p. 65, Fall 2011, Petaluma, California.

* cited by examiner

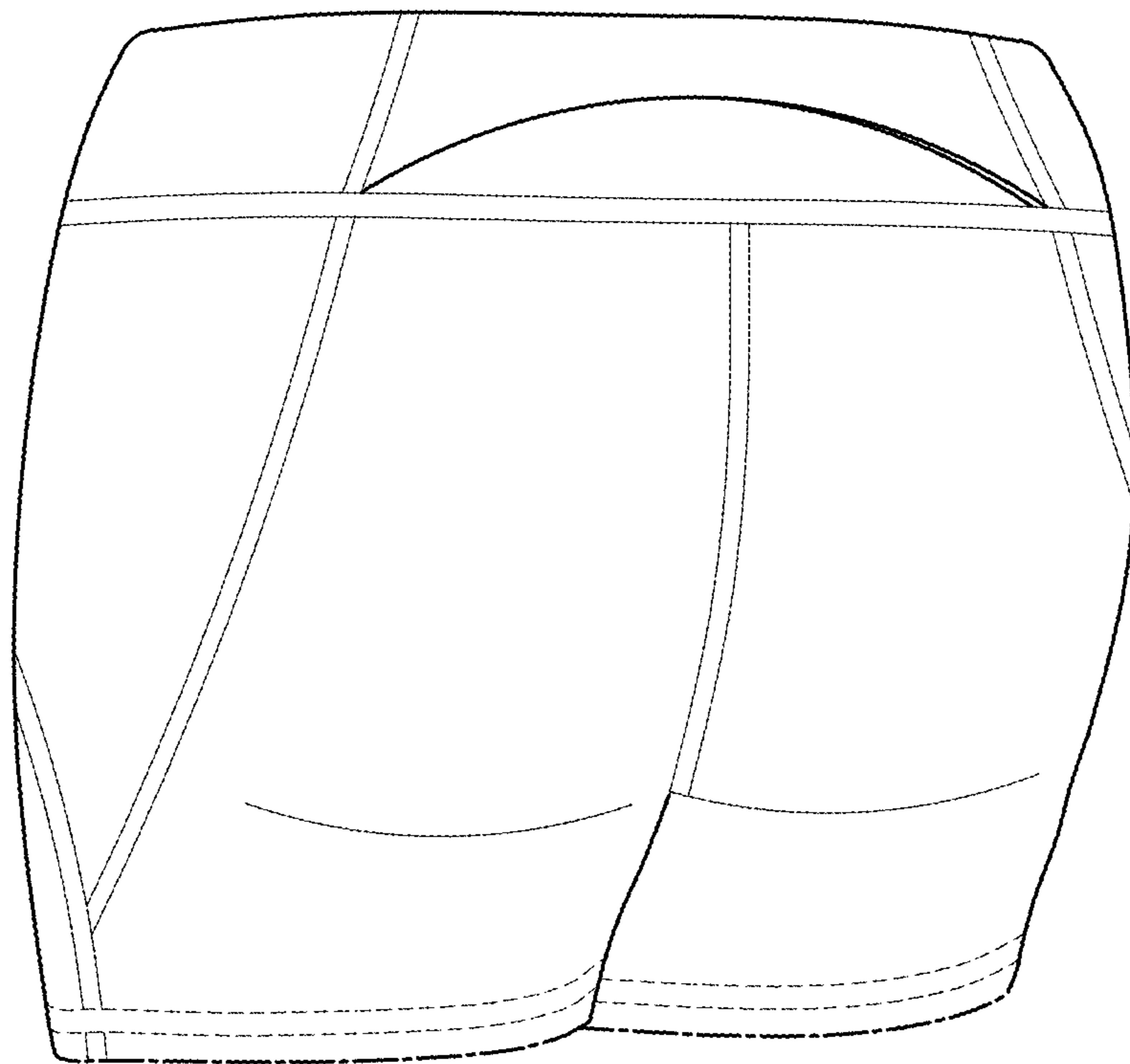


FIG.1

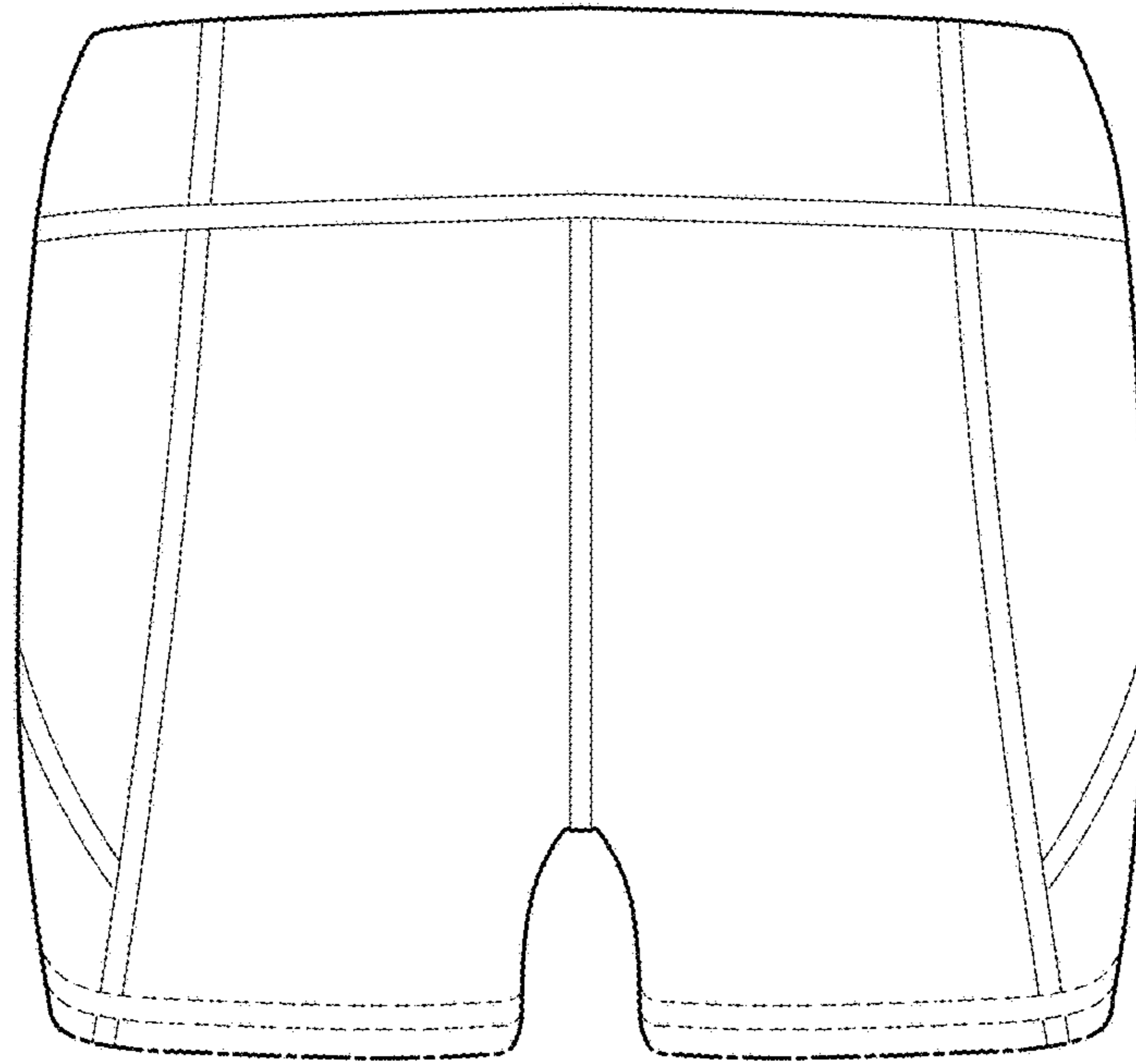


FIG.2

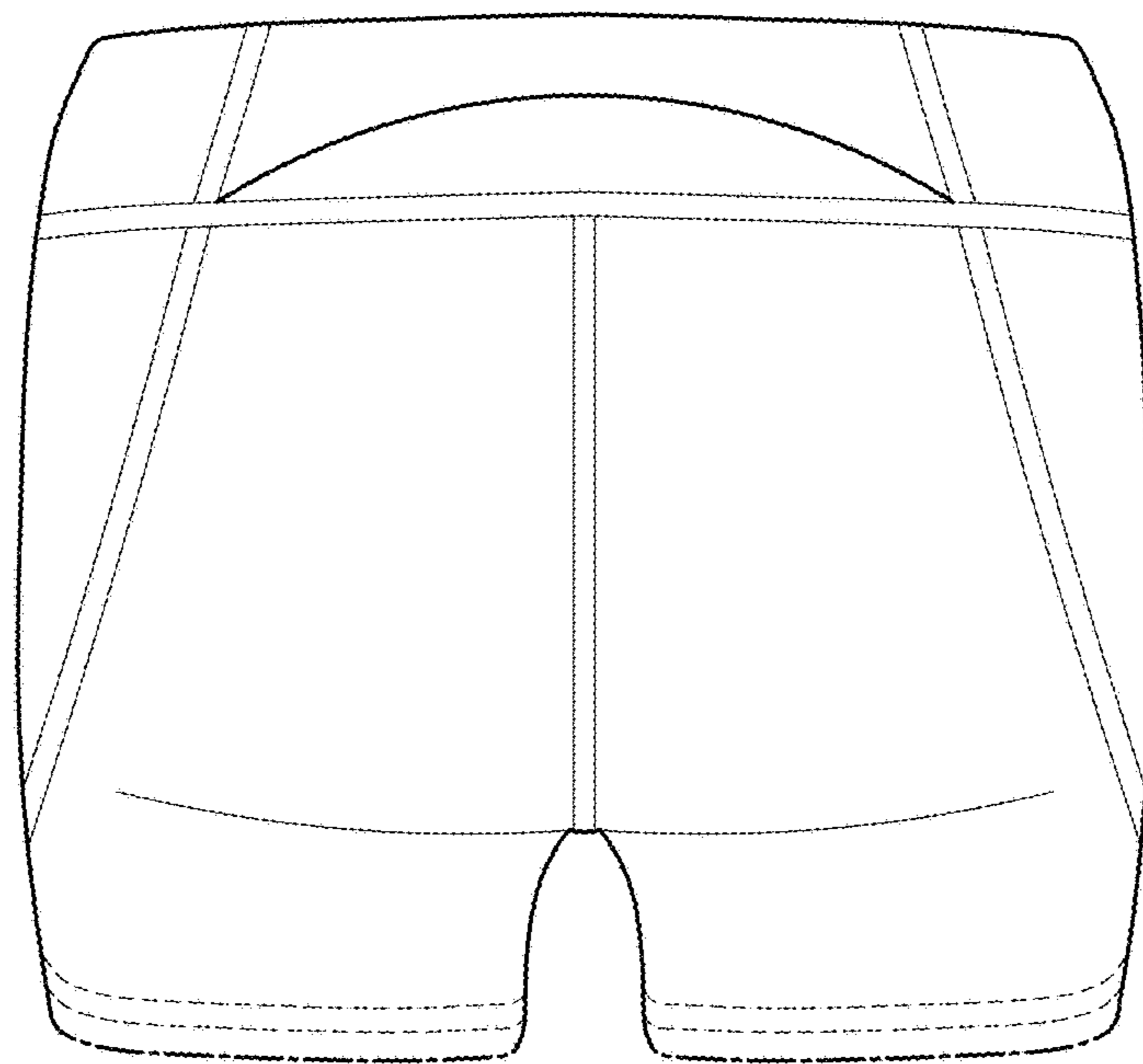


FIG.3

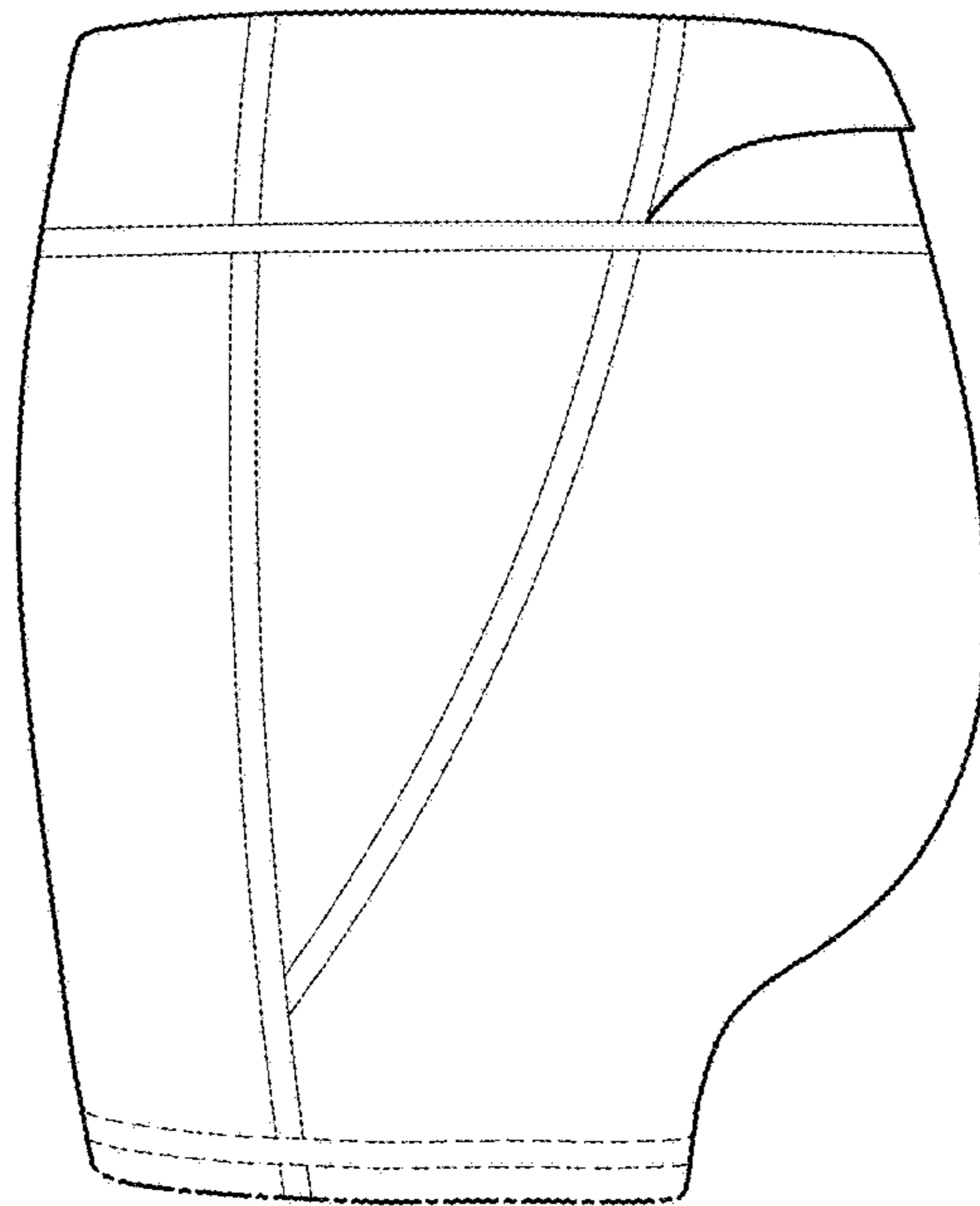


FIG.4

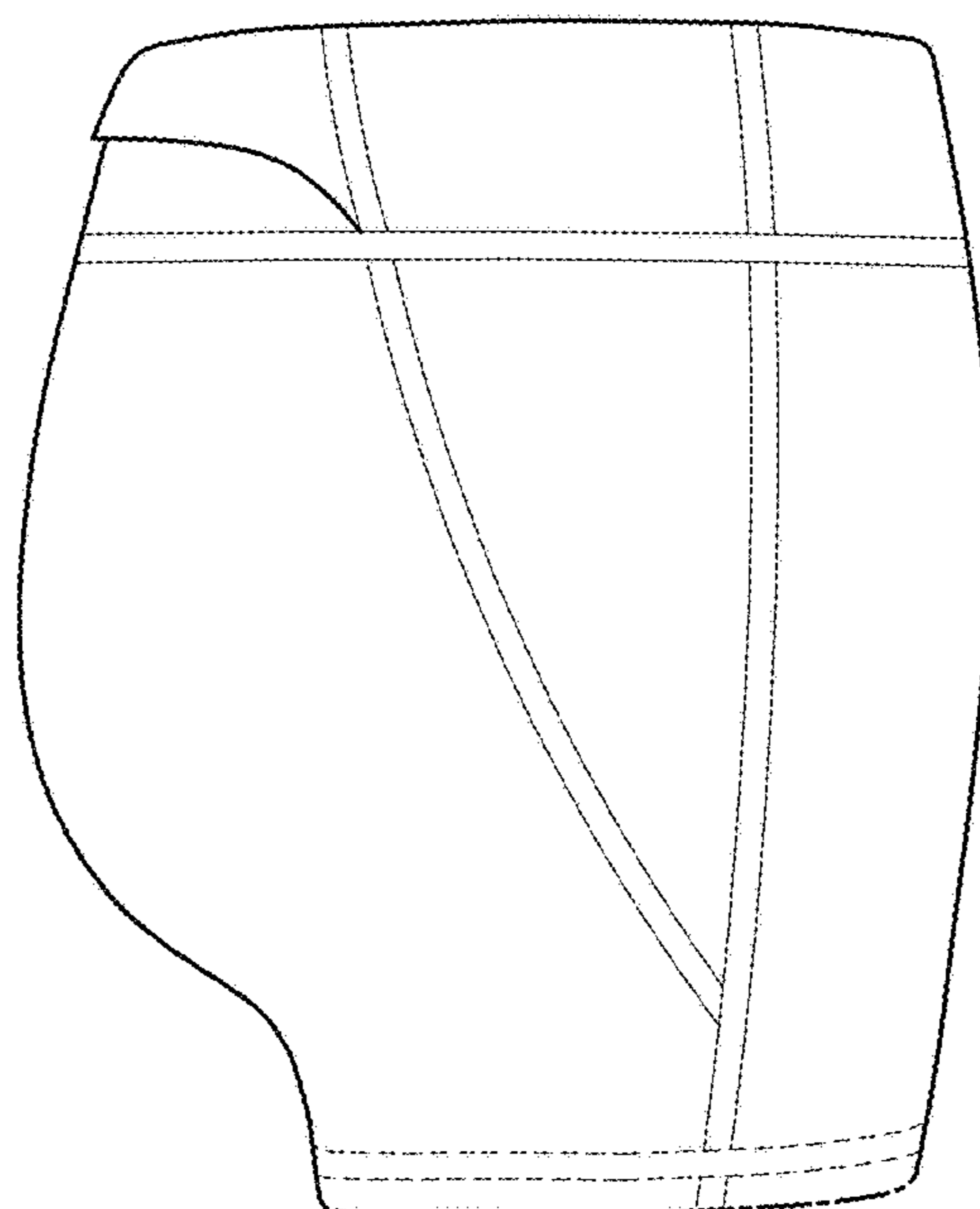


FIG.5

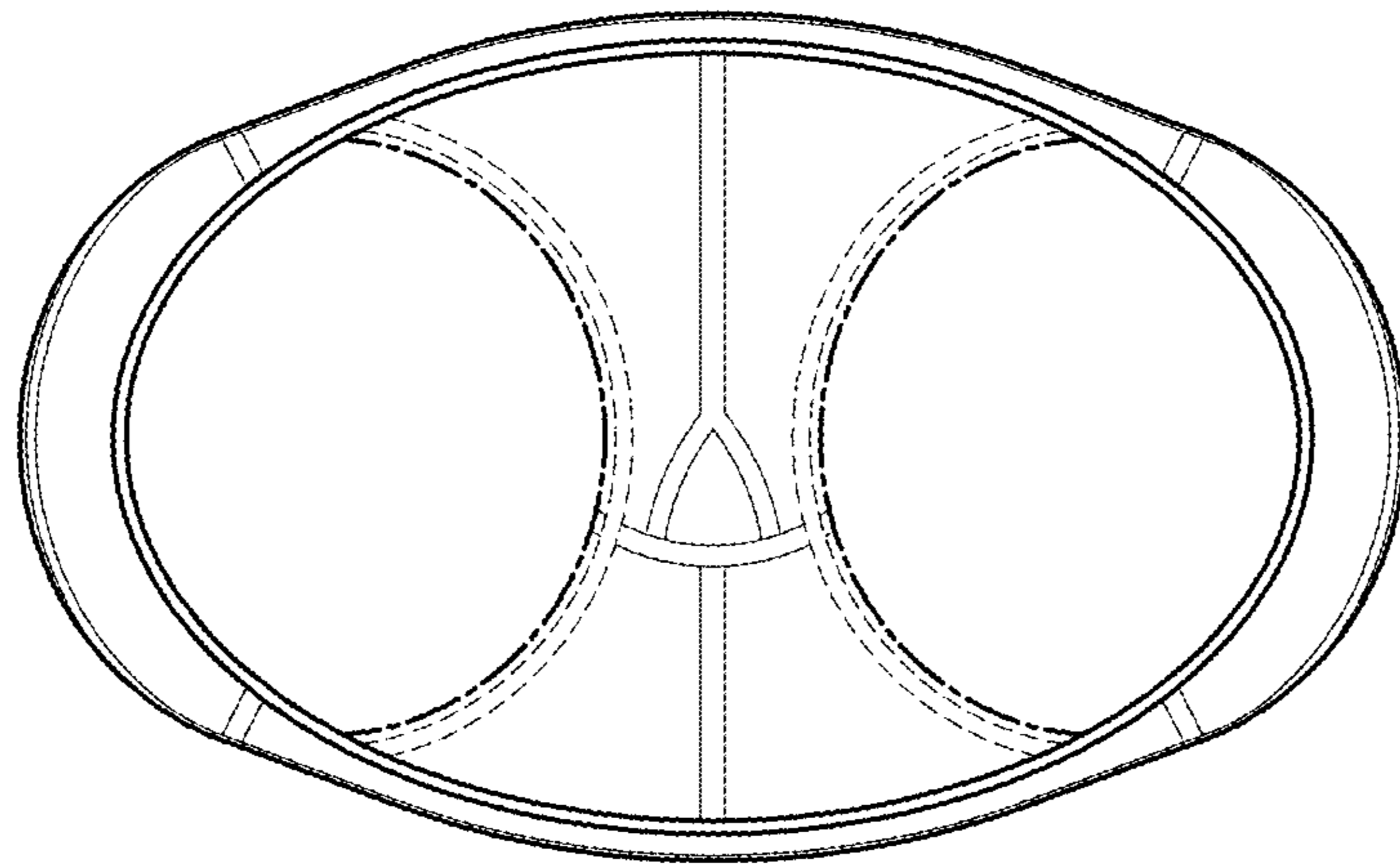


FIG. 6

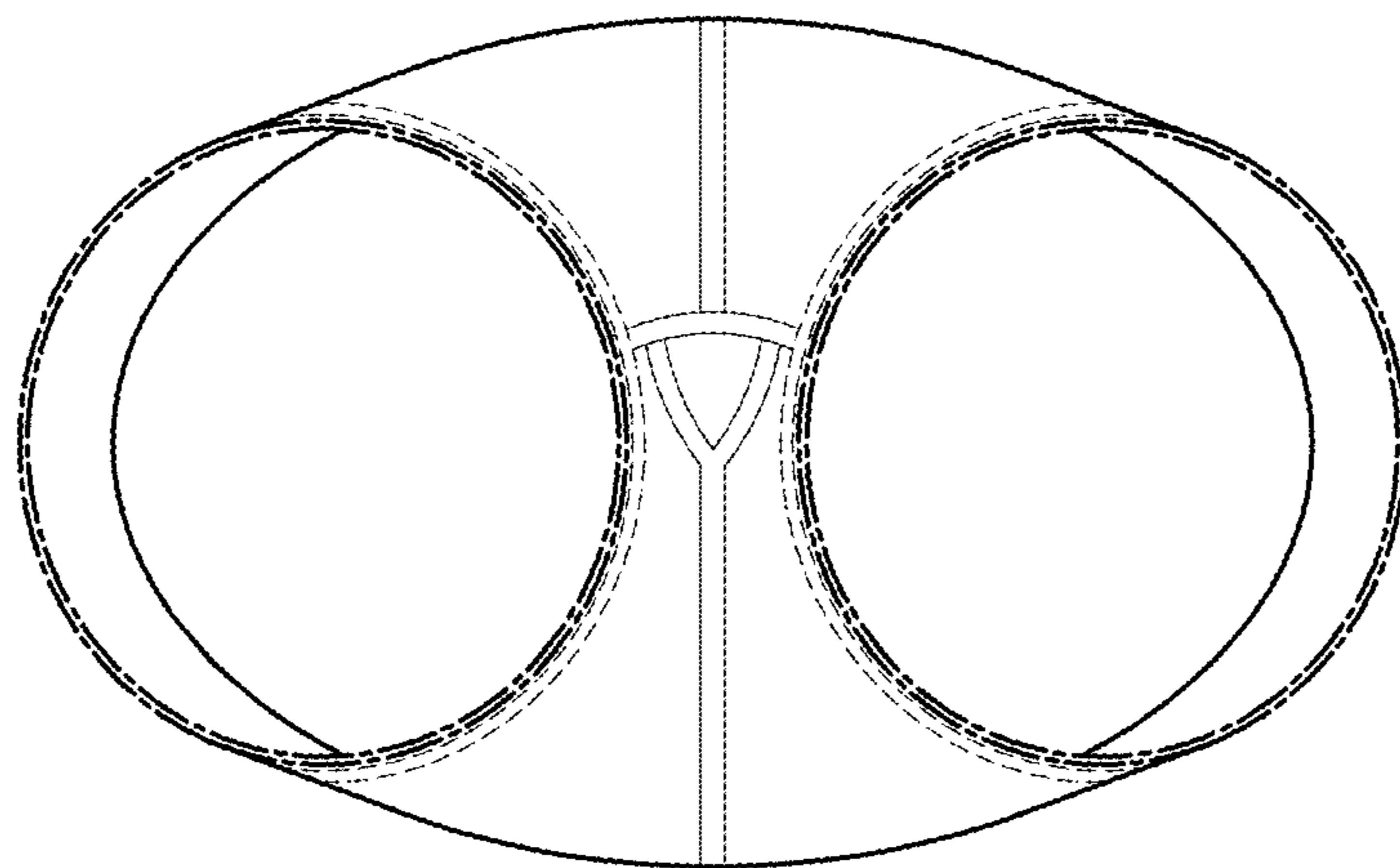


FIG. 7