



US00D816284S

(12) **United States Design Patent**
Lee et al.

(10) **Patent No.:** **US D816,284 S**
(45) **Date of Patent:** **** Apr. 24, 2018**

(54) **ROBOTIC VACUUM**

(71) Applicant: **Samsung Electronics Co., Ltd.**,
Suwon-si (KR)

(72) Inventors: **Yangjic Lee**, Gwacheon-si (KR);
Jongchan Kwon, Yongin-si (KR);
Sangsung Woo, Seoul (KR); **Seo Lee**,
Yongin-si (KR); **Sangmin Hyun**, Seoul
(KR)

(73) Assignee: **SAMSUNG ELECTRONICS CO.,
LTD.**, Gyeonggi-Do (KR)

(**) Term: **15 Years**

(21) Appl. No.: **29/567,455**

(22) Filed: **Jun. 9, 2016**

(30) **Foreign Application Priority Data**

Dec. 10, 2015 (KR) 30-2015-0062941
Dec. 10, 2015 (KR) 30-2015-0062942

(51) **LOC (11) Cl.** **15-05**

(52) **U.S. Cl.**
USPC **D32/31**

(58) **Field of Classification Search**
USPC D32/17, 21-24, 31
CPC A04H 4/1636; A04H 4/1654; A04H 4/169;
A47L 9/2842
See application file for complete search history.

(56) **References Cited**

U.S. PATENT DOCUMENTS

D625,059 S * 10/2010 Morenstein D32/21
D625,477 S * 10/2010 Morenstein D32/21
D630,808 S * 1/2011 Dye D32/21
D630,809 S * 1/2011 Dye D32/21
D669,235 S * 10/2012 Bassett D32/21

D684,738 S * 6/2013 Richiuso D32/21
D690,478 S * 9/2013 Li D32/21
D690,887 S * 10/2013 Lee D32/21
D691,337 S * 10/2013 Kim D32/21
D709,255 S * 7/2014 Wang D32/21
D714,002 S * 9/2014 Casini D32/21
D715,504 S * 10/2014 Deoksang D32/21
D718,911 S * 12/2014 Vanderstegen-Drake D32/21
D720,103 S * 12/2014 Haug D32/21
D721,460 S * 1/2015 Hanan D32/21
D728,873 S * 5/2015 Renaud D32/21
D745,757 S * 12/2015 Choi D32/21
D746,005 S * 12/2015 Cheon D32/21
D747,573 S * 1/2016 Richiuso D32/21
D751,777 S * 3/2016 Cheon D32/21
D771,884 S * 11/2016 Ninomiya D32/21
D778,514 S * 2/2017 Park D32/21
D778,515 S * 2/2017 Choi D32/21

* cited by examiner

Primary Examiner — Ruth McInroy

(74) *Attorney, Agent, or Firm* — Cantor Colburn LLP

(57) **CLAIM**

The ornamental design for a robotic vacuum, as shown and described.

DESCRIPTION

FIG. 1 is a front perspective view of a robotic vacuum showing our new design;
FIG. 2 is a front view thereof;
FIG. 3 is a rear view thereof;
FIG. 4 is a left-side view thereof;
FIG. 5 is a right-side view thereof;
FIG. 6 is a top view thereof; and,
FIG. 7 is a bottom view thereof.

The broken lines shown in drawings illustrate portions of the robotic vacuum that form no part of the claimed design. The dot-dashed broken lines define boundaries of the claimed design and form no part the claimed design.

1 Claim, 5 Drawing Sheets

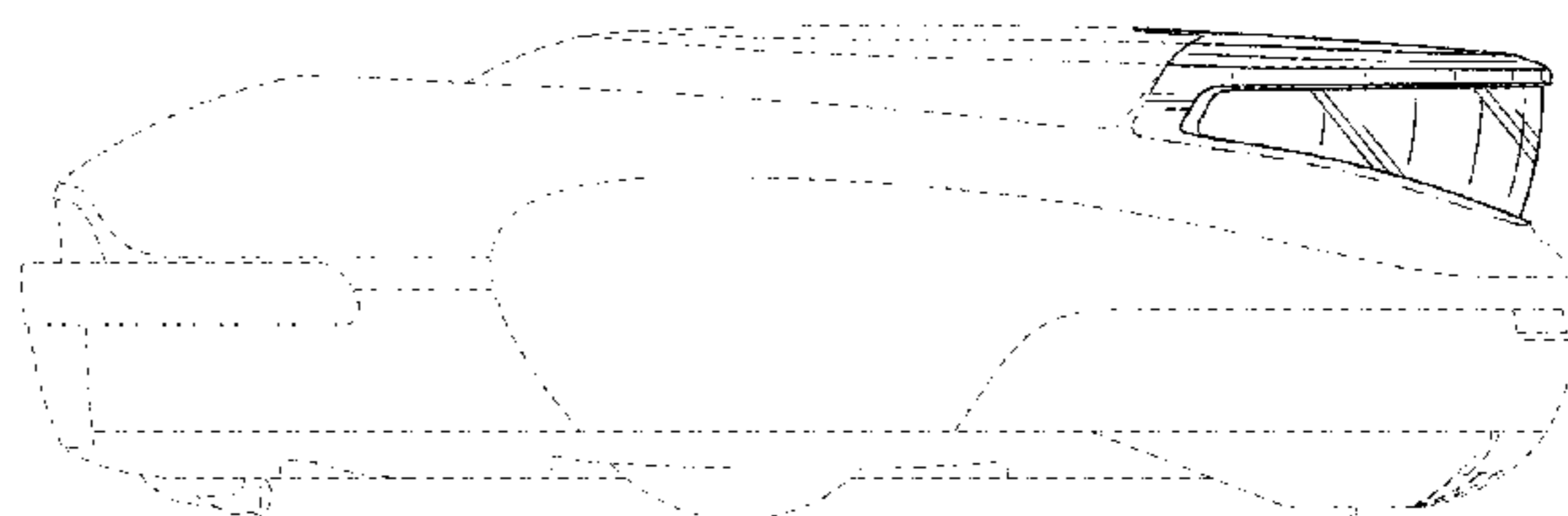
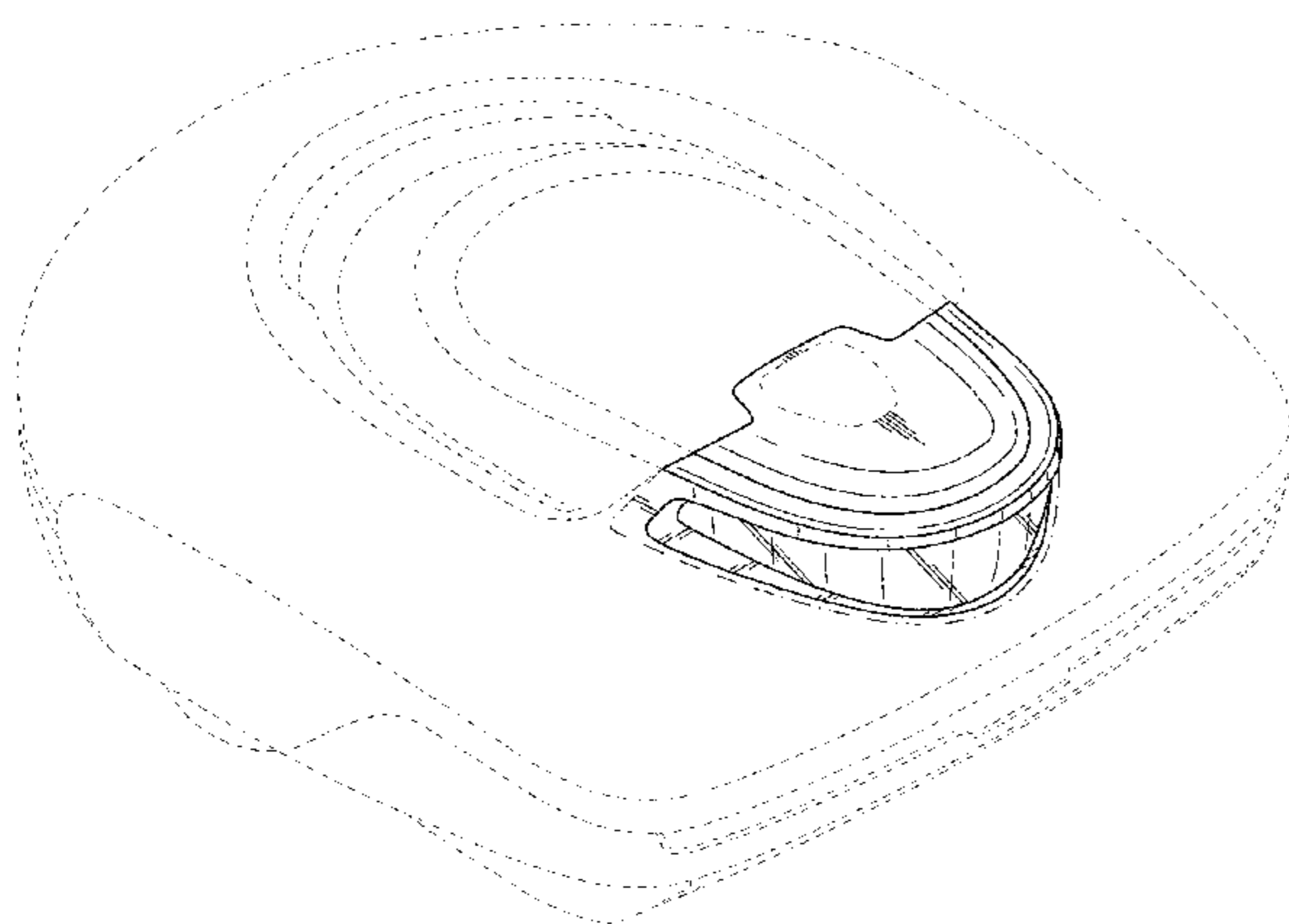


FIG.1

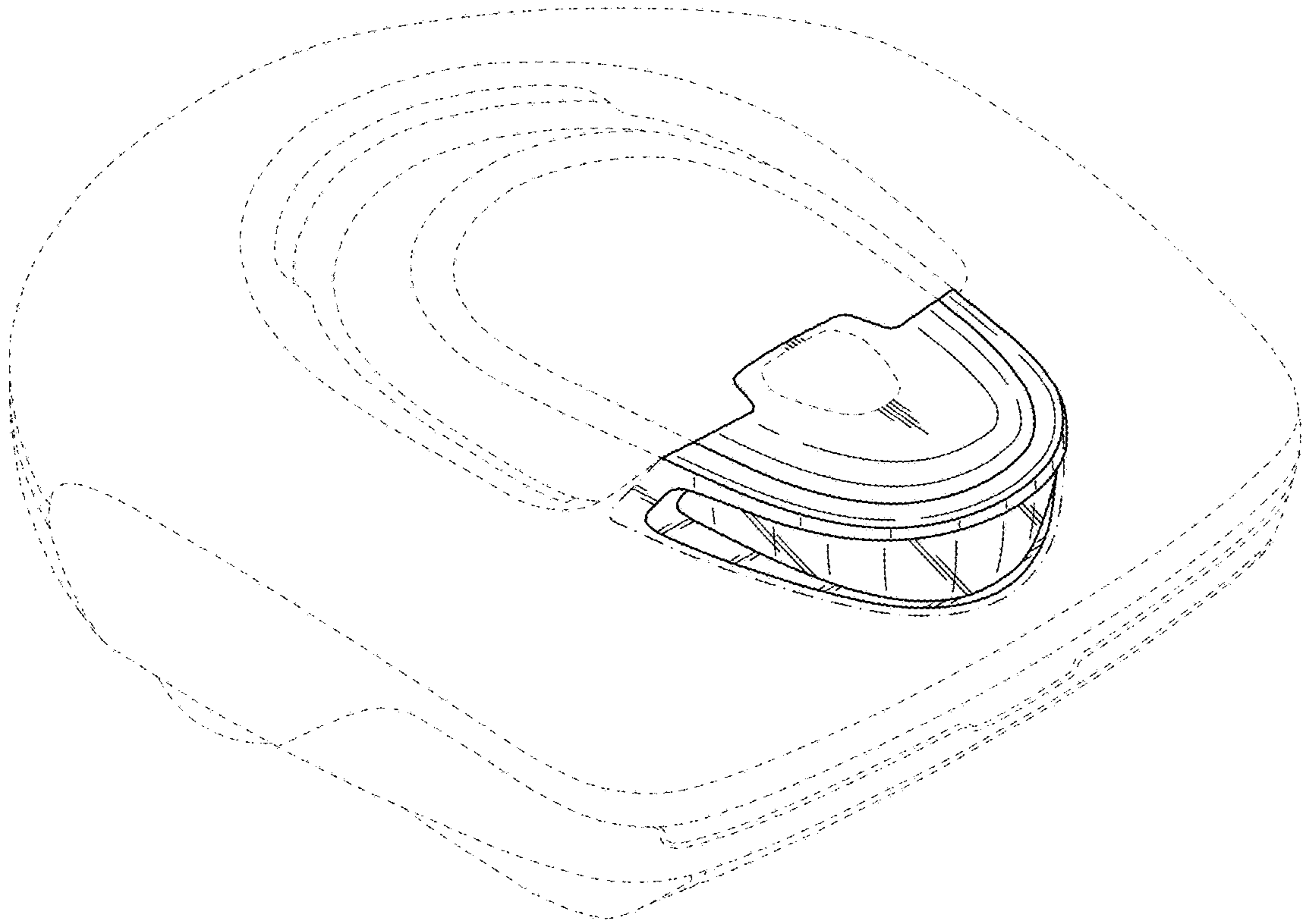


FIG.2

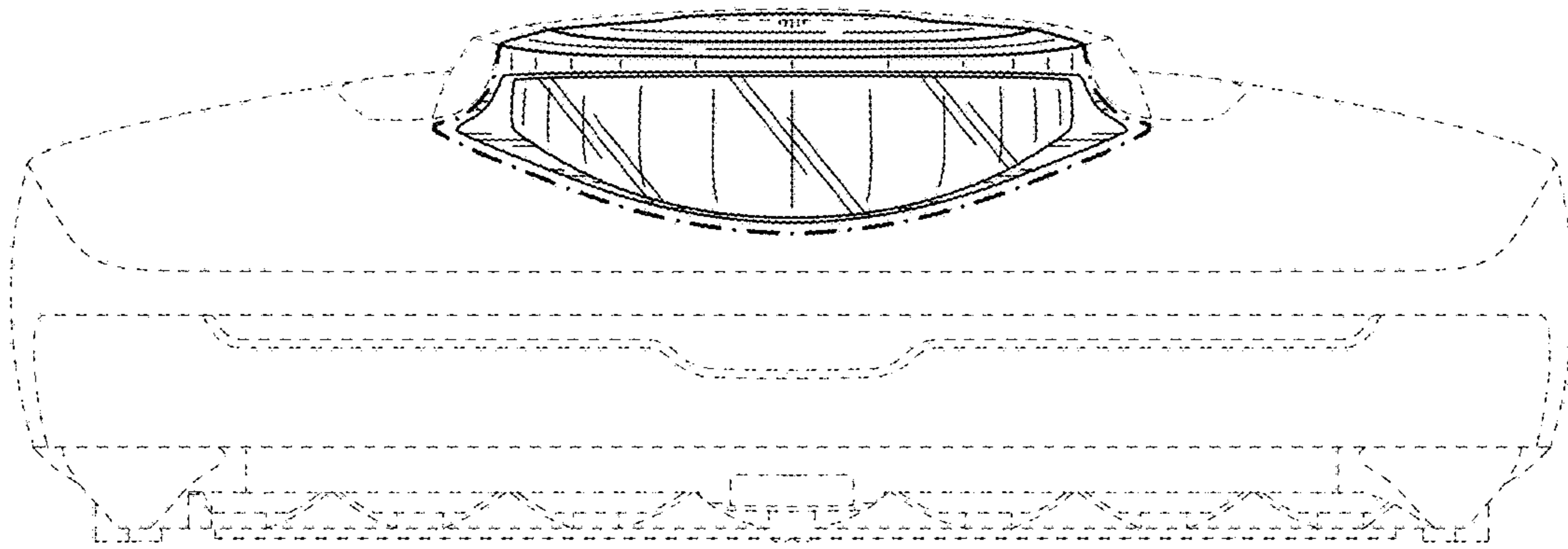


FIG.3

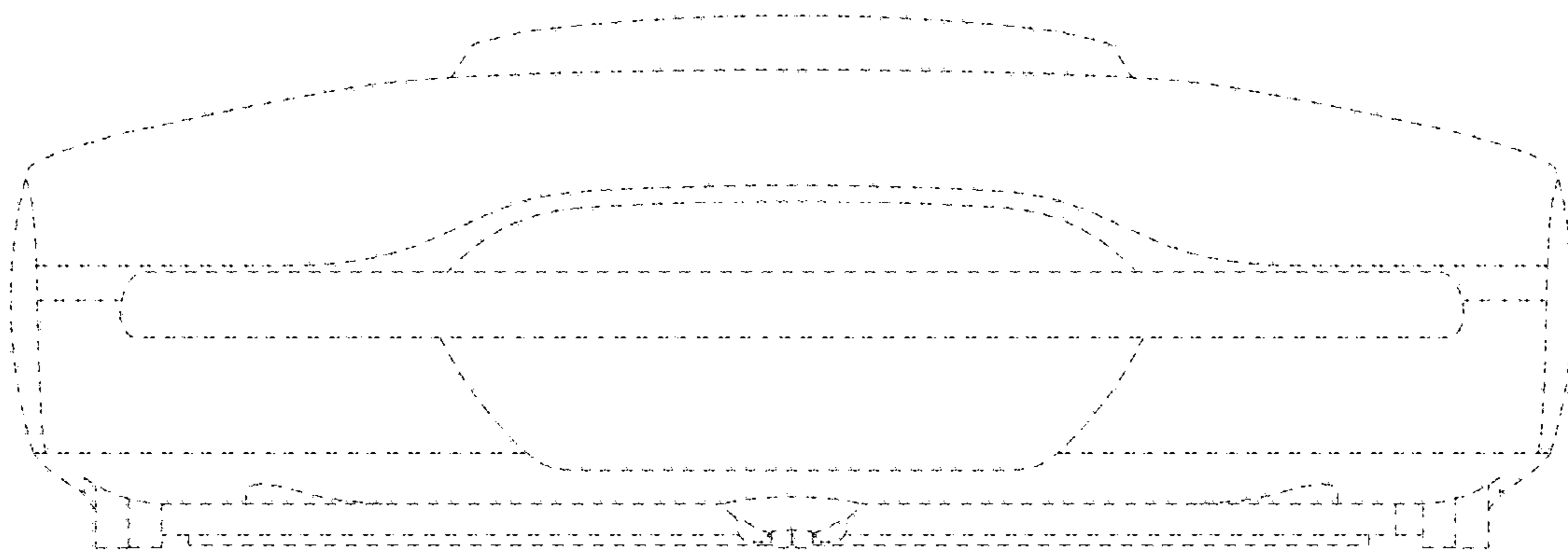


FIG.4

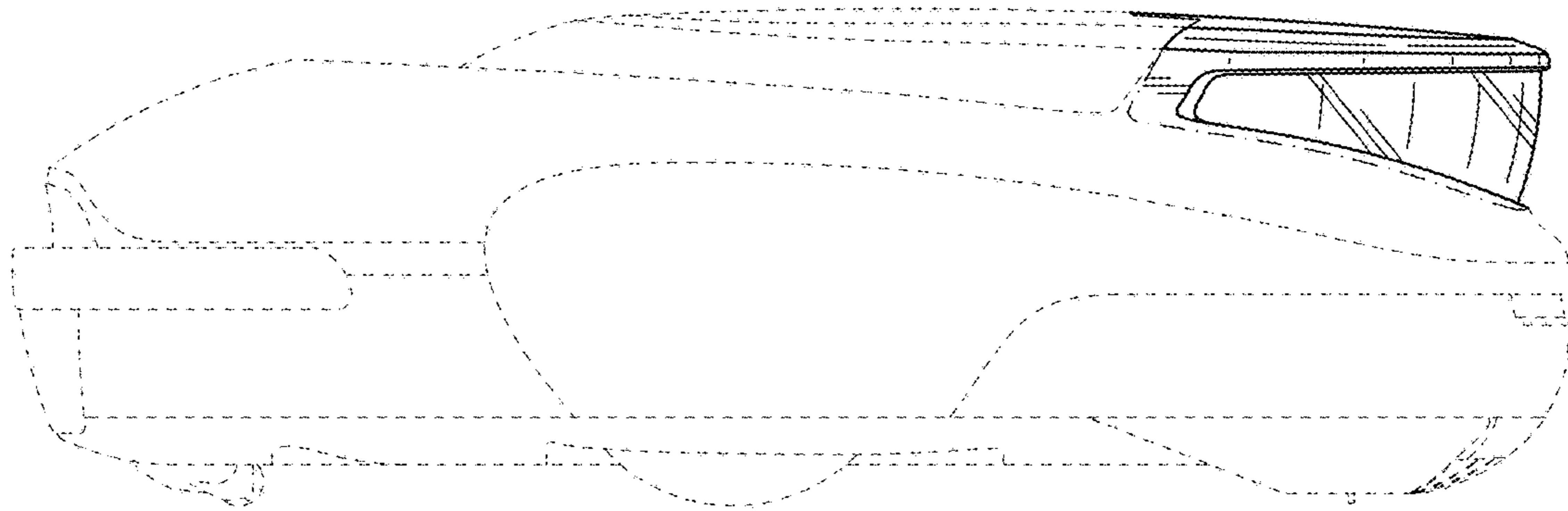


FIG.5

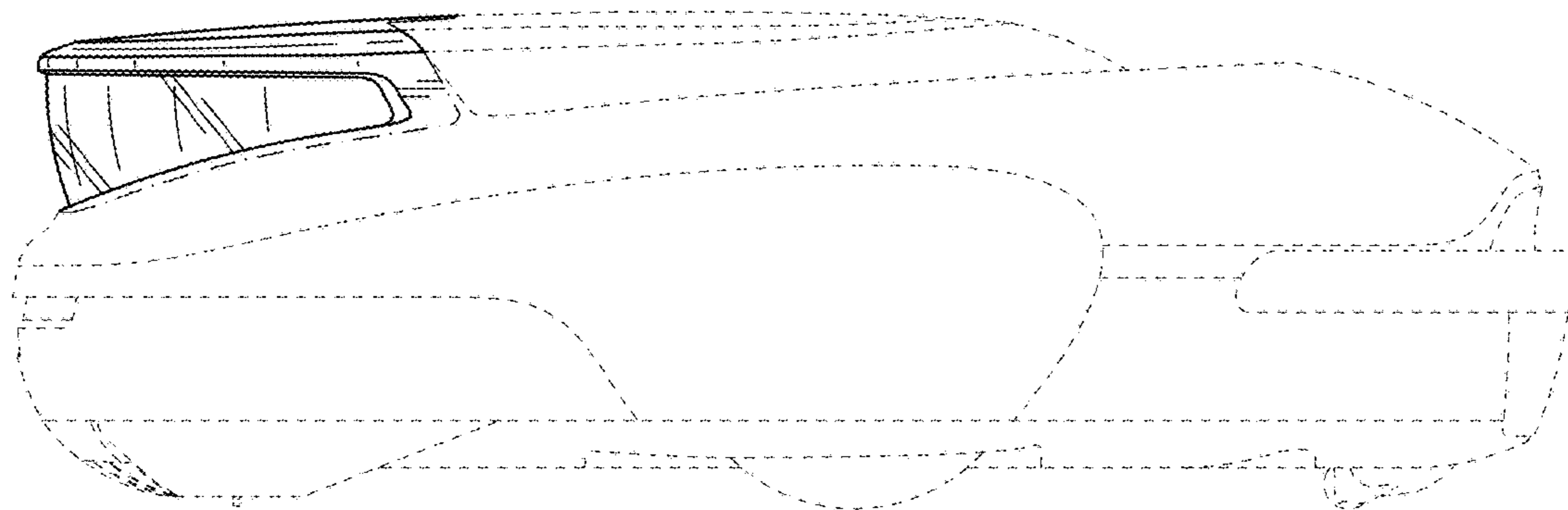


FIG.6

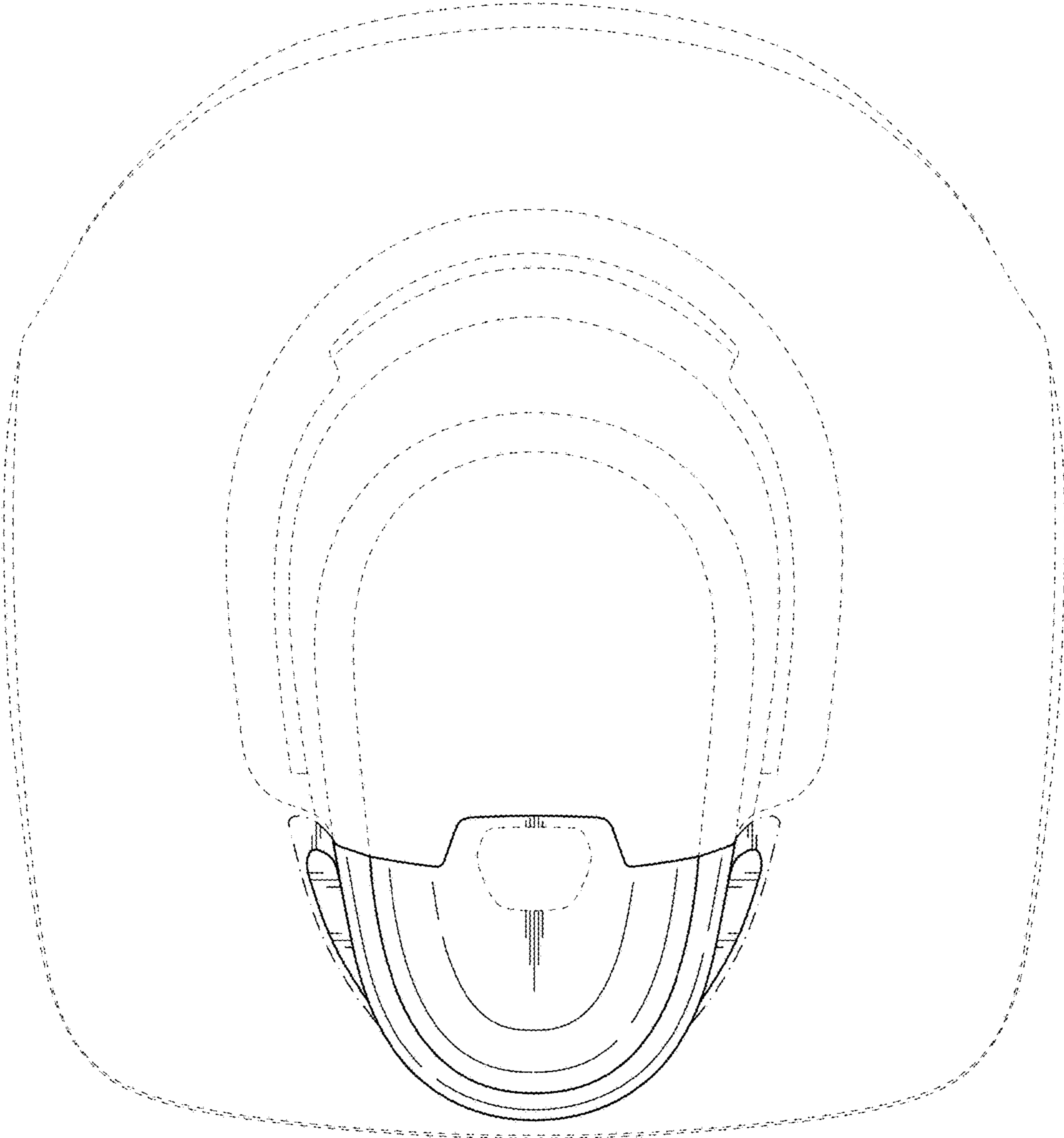


FIG.7

