



US00D816283S

(12) **United States Design Patent** (10) **Patent No.:** **US D816,283 S**
Lee et al. (45) **Date of Patent:** **** Apr. 24, 2018**

(54) **PEDESTAL WASHING MACHINE**
(71) Applicant: **LG ELECTRONICS INC.**, Seoul (KR)

Primary Examiner — Darlington Ly
(74) *Attorney, Agent, or Firm* — Birch, Stewart, Kolasch & Birch, LLP

(72) Inventors: **Junghwan Lee**, Seoul (KR); **Kyungah Lee**, Seoul (KR); **Yeji Um**, Seoul (KR); **Hyewon Kim**, Seoul (KR); **Jeaseok Seong**, Seoul (KR)

(57) **CLAIM**

The ornamental design for a pedestal washing machine, as shown and described.

(73) Assignee: **LG Electronics Inc.**, Seoul (KR)

DESCRIPTION

(**) Term: **15 Years**

(21) Appl. No.: **35/501,427**

(22) Filed: **Feb. 23, 2016**

(80) **Hague Agreement Data**

Int. Filing Date: **Feb. 23, 2016**
Int. Reg. No.: **DM/089839**
Int. Reg. Date: **Feb. 23, 2016**
Int. Reg. Pub. Date: **Aug. 26, 2016**

(30) **Foreign Application Priority Data**

Sep. 3, 2015 (KR) 30-2015-0044477

(51) **LOC (11) Cl.** **15-05**

(52) **U.S. Cl.**
USPC **D32/25**

(58) **Field of Classification Search**
USPC D32/1, 5, 6, 8, 10, 11, 25, 29
CPC . B08B 3/12; D06F 17/04; D06F 31/00; D06F 37/02; D06F 37/0812; D06F 37/145; D06F 39/125

See application file for complete search history.

(56) **References Cited**

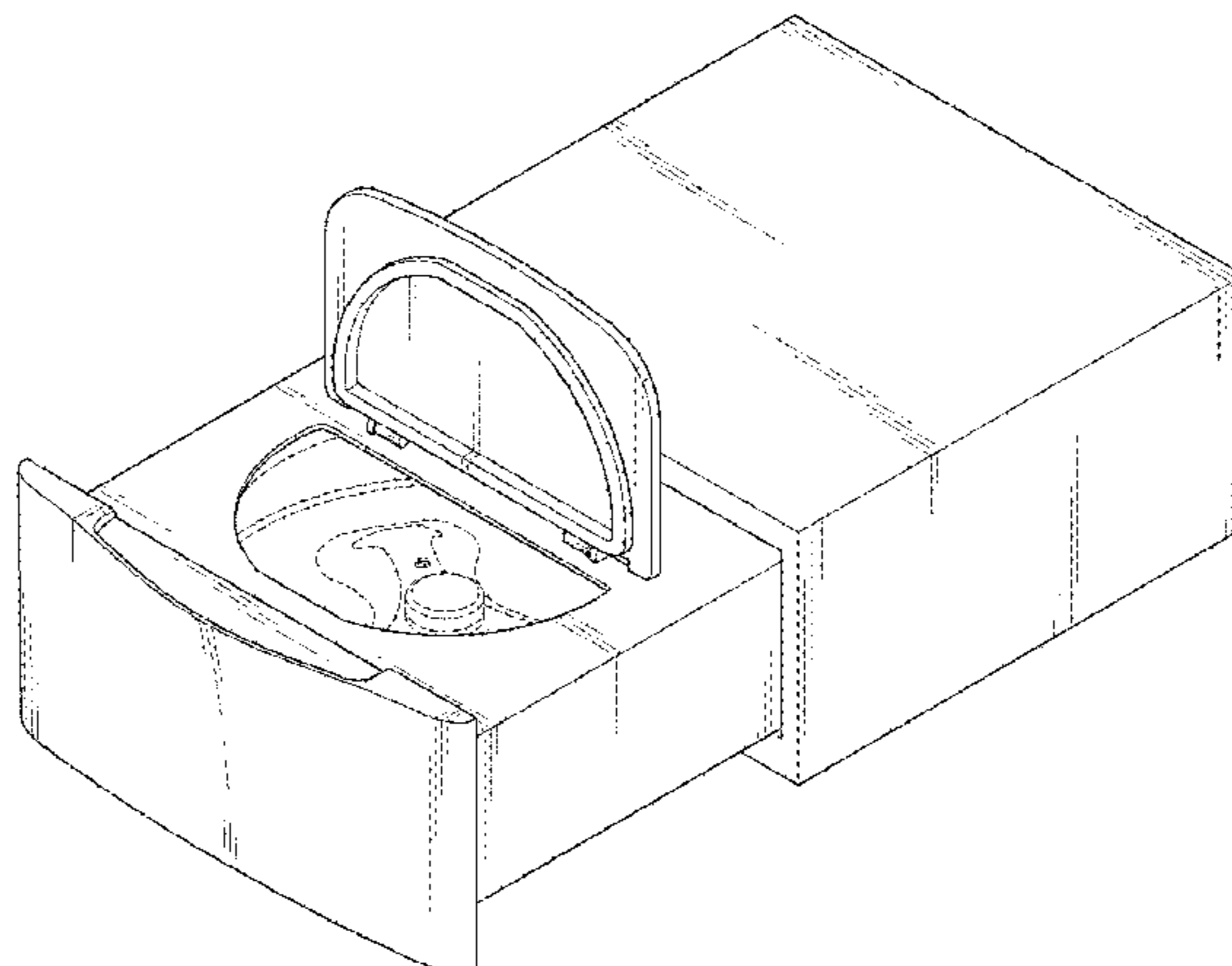
U.S. PATENT DOCUMENTS

D474,566 S * 5/2003 Baldwin D32/25
D483,206 S * 12/2003 Schweikarth D6/705.5
D504,259 S * 4/2005 Arceta D6/705.5

(Continued)

1. Pedestal washing machine
1.1 is a top, front, and right-side perspective view of a pedestal washing machine showing our new design;
1.2 is a front elevation view thereof;
1.3 is a rear elevation view thereof;
1.4 is a left-side elevation view thereof;
1.5 is a right-side elevation view thereof;
1.6 is a top plan view thereof;
1.7 is a bottom plan view thereof;
1.8 is a top, front, and right-side perspective view thereof, wherein the lid is in an opened position;
1.9 is a front elevation view thereof, wherein the lid is in an opened position;
1.10 is a right-side elevation view thereof, wherein the lid is in an opened position;
1.11 is a top plan view thereof, wherein the lid is in an opened position; and
1.12 is a top, front, and right-side perspective view thereof, wherein a separate washing machine appliance is shown sitting atop the pedestal washing machine.
The broken lines shown in **1.8** and **1.11** are included for the purpose of illustrating unclaimed portions of the pedestal washing machine and form no part of the claimed design. The broken lines showing a second washing machine appliance in **1.12** are provided for the purpose of illustrating environmental structure and form no part of the claimed design.
The broken lines shown in **1.8** and **1.11** illustrate portions of the pedestal washing machine that form no part of the claimed design.

1 Claim, 12 Drawing Sheets



(56)

References Cited

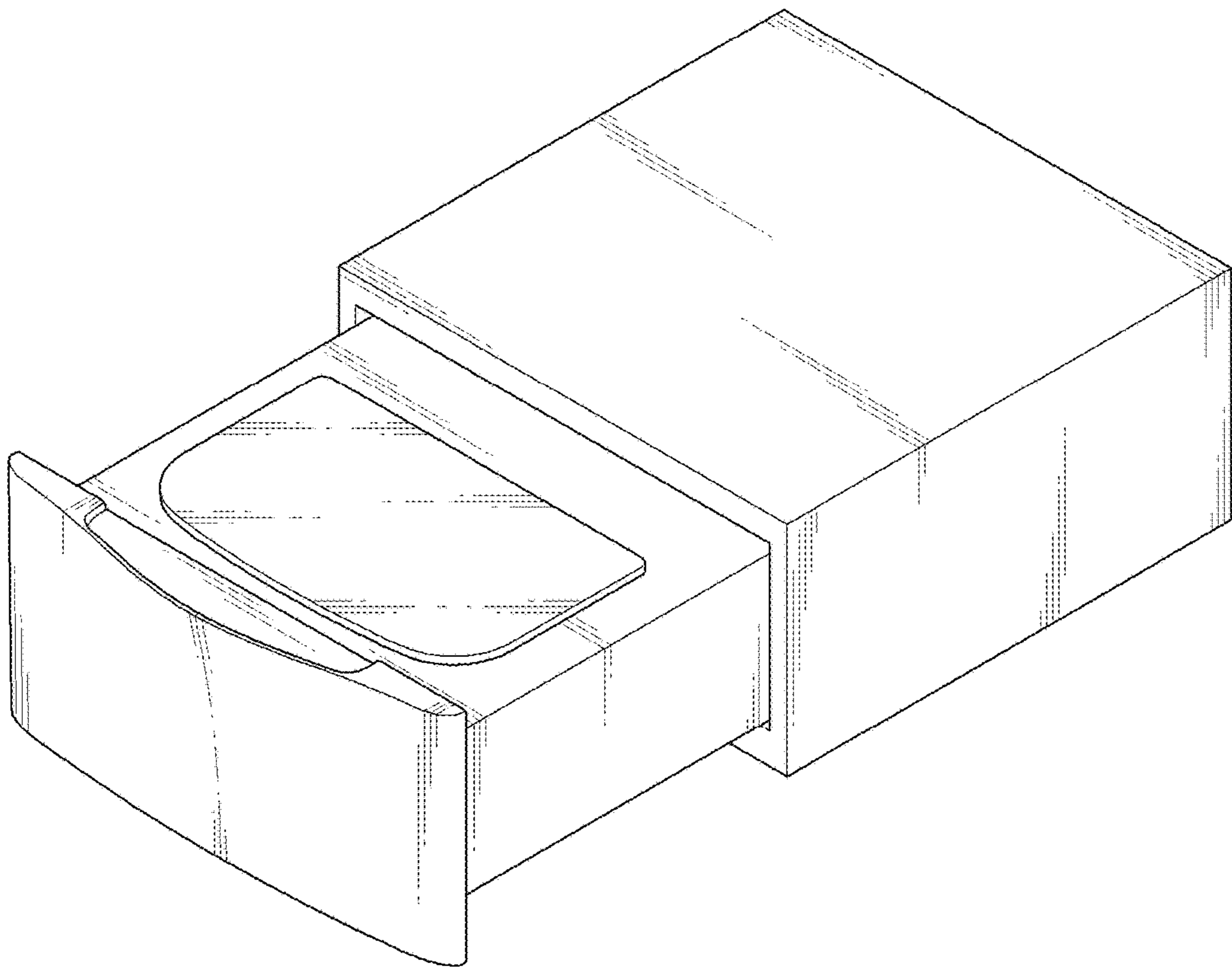
U.S. PATENT DOCUMENTS

D521,702 S * 5/2006 No D32/25
 D549,408 S * 8/2007 Lee D32/25
 D587,048 S * 2/2009 Hand D6/705.5
 D589,718 S * 4/2009 Hand D3/297
 D606,267 S * 12/2009 Shor D32/6
 D613,972 S * 4/2010 Hand D3/297
 D617,965 S * 6/2010 Grutzke D32/25
 D620,211 S * 7/2010 Shail D32/25
 D629,168 S * 12/2010 Park D32/25
 D633,670 S * 3/2011 Grutzke D32/25
 7,921,679 B2 * 4/2011 Jo D06F 39/125
 248/346.01
 D645,623 S * 9/2011 Helot D32/25
 8,215,136 B2 * 7/2012 Kim D06F 17/04
 68/11
 D665,544 S * 8/2012 Jeon D32/6
 D667,179 S * 9/2012 Jeon D32/6
 8,341,981 B2 * 1/2013 Kim D06F 39/125
 312/228

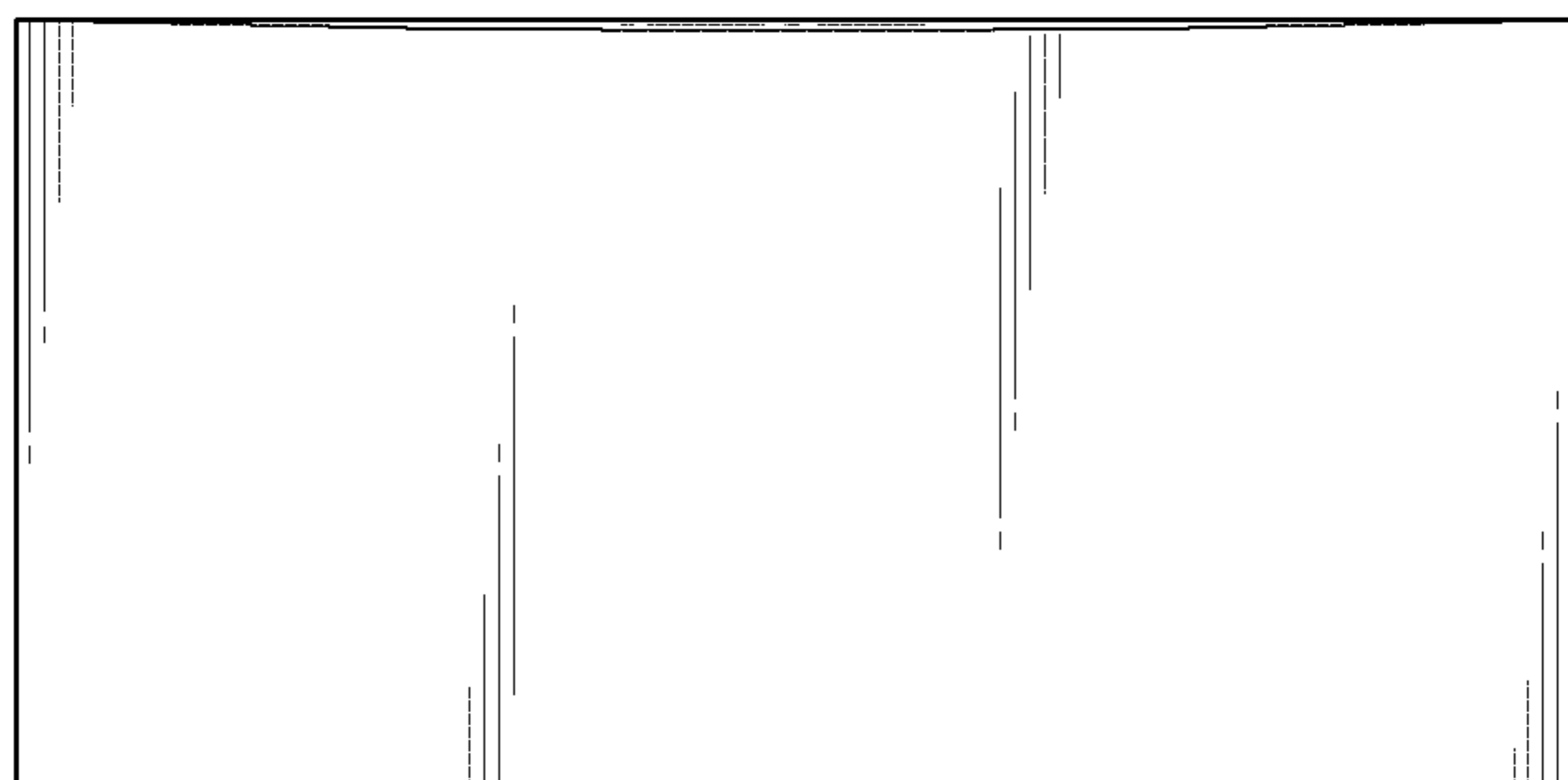
8,561,438 B2 * 10/2013 Jeong D06F 31/00
 68/13 R
 D701,657 S * 3/2014 Chung D32/6
 D701,658 S * 3/2014 Chung D32/6
 D704,909 S * 5/2014 Jeon D32/25
 D728,870 S * 5/2015 Borjesson D32/3
 D732,777 S * 6/2015 Ha D32/28
 D759,911 S * 6/2016 Chung D32/6
 D767,837 S * 9/2016 Chee D32/25
 9,447,841 B2 * 9/2016 Kim F16F 15/08
 D784,637 S * 4/2017 Kim D32/25
 D792,035 S * 7/2017 Chung D32/6
 D794,265 S * 8/2017 Chung D32/6
 2007/0151120 A1 * 7/2007 Tomasi D06F 29/00
 34/601
 2009/0145174 A1 * 6/2009 Kim D06F 23/02
 68/27
 2009/0145175 A1 * 6/2009 Kim D06F 29/005
 68/27
 2009/0145177 A1 * 6/2009 Kim D06F 39/125
 68/13 R

* cited by examiner

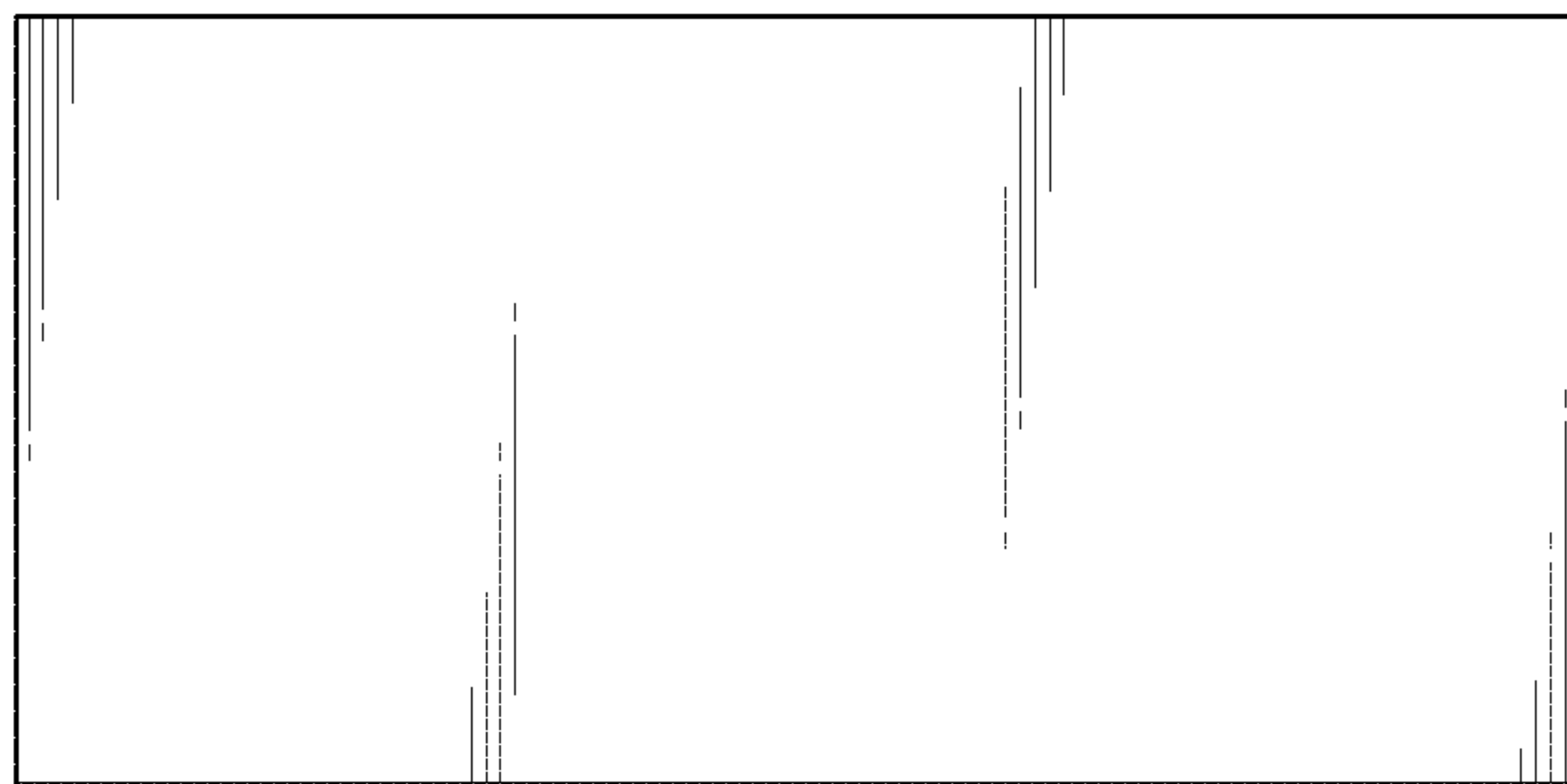
1. 1



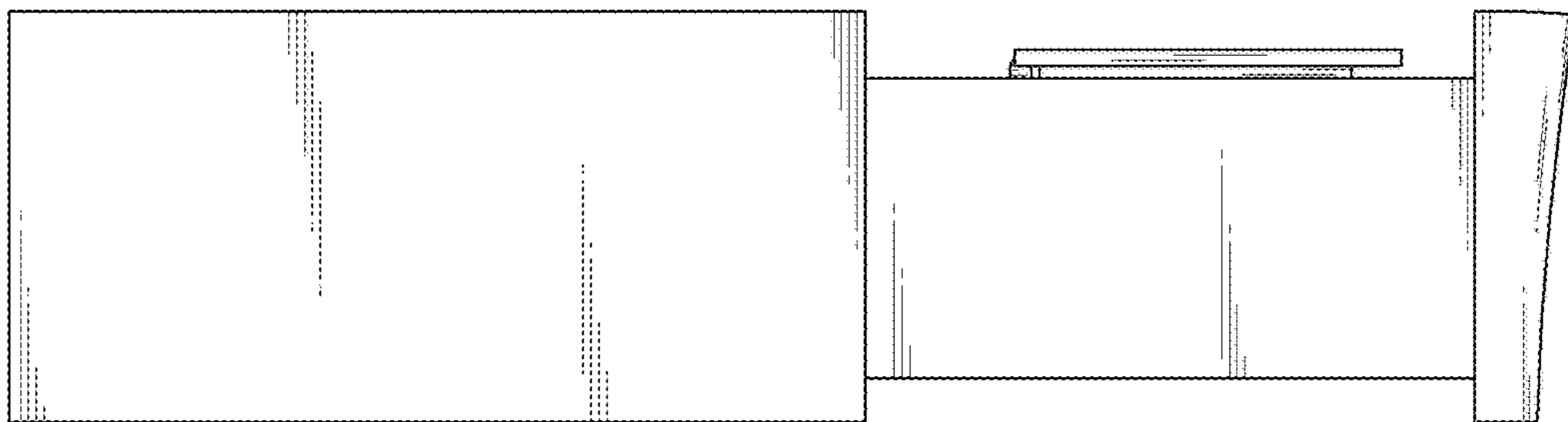
1. 2



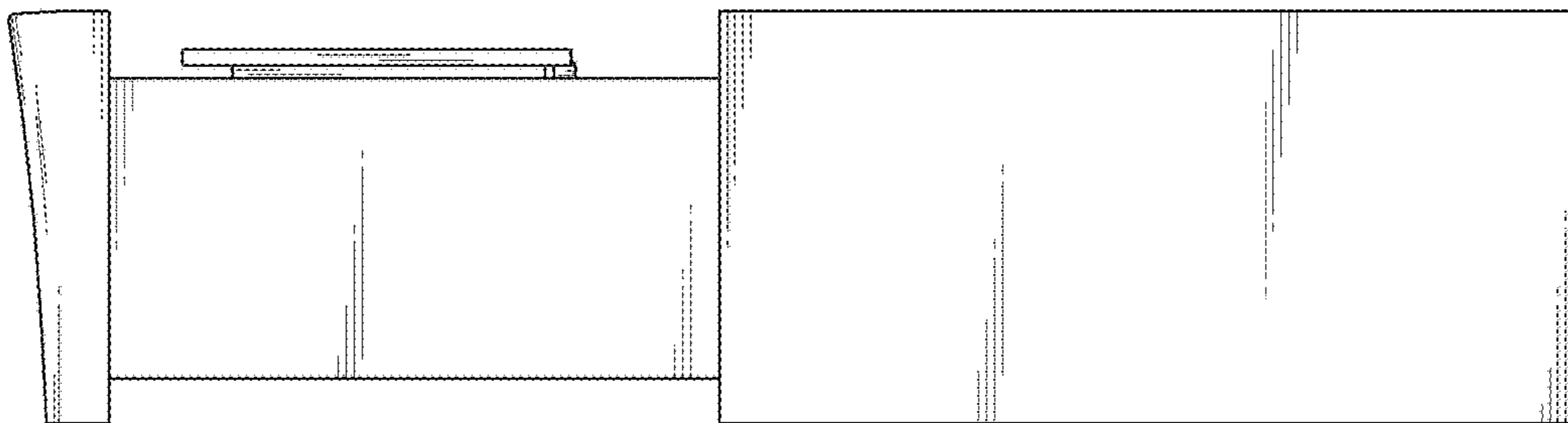
1. 3



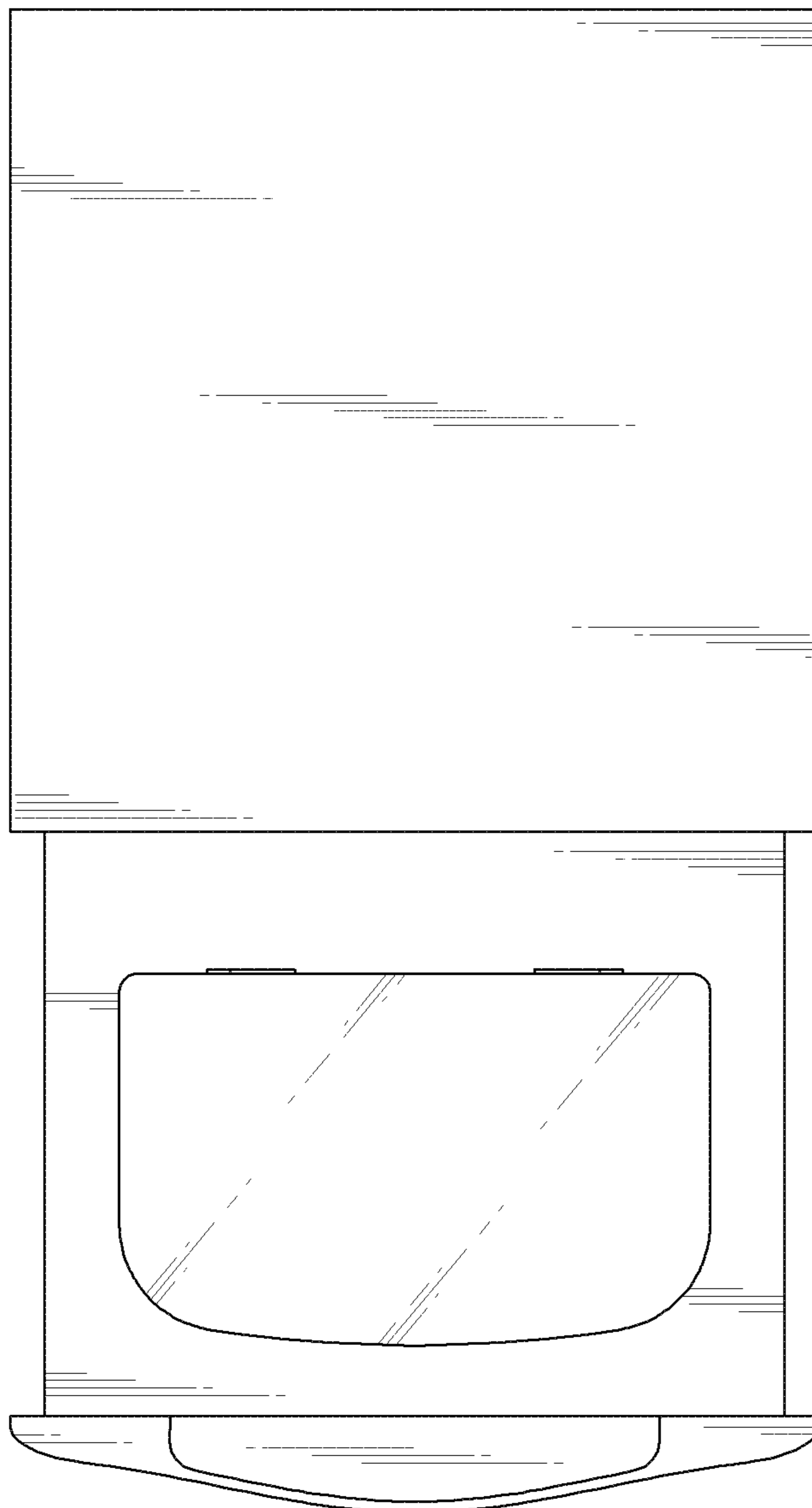
1.4



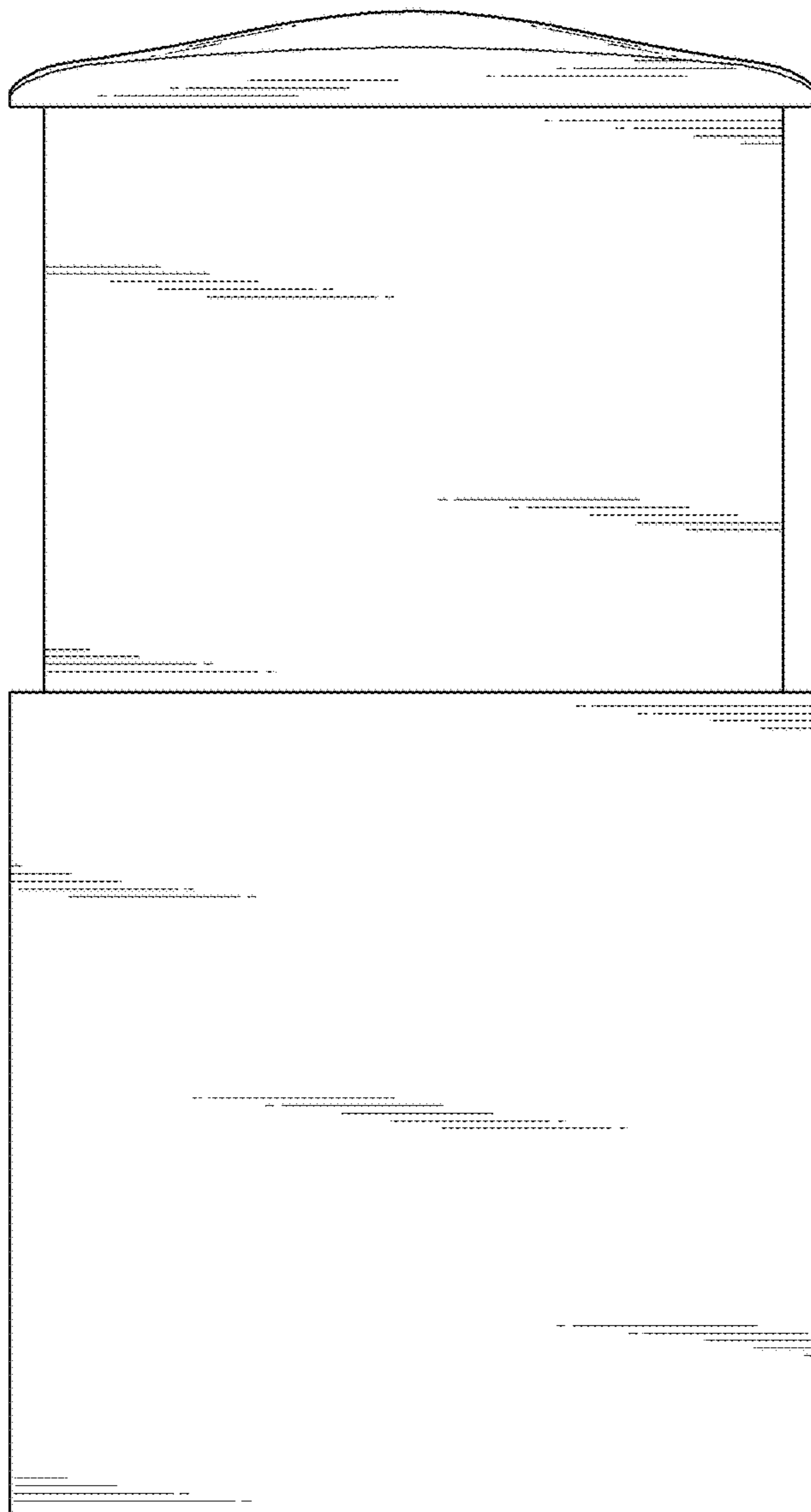
1.5



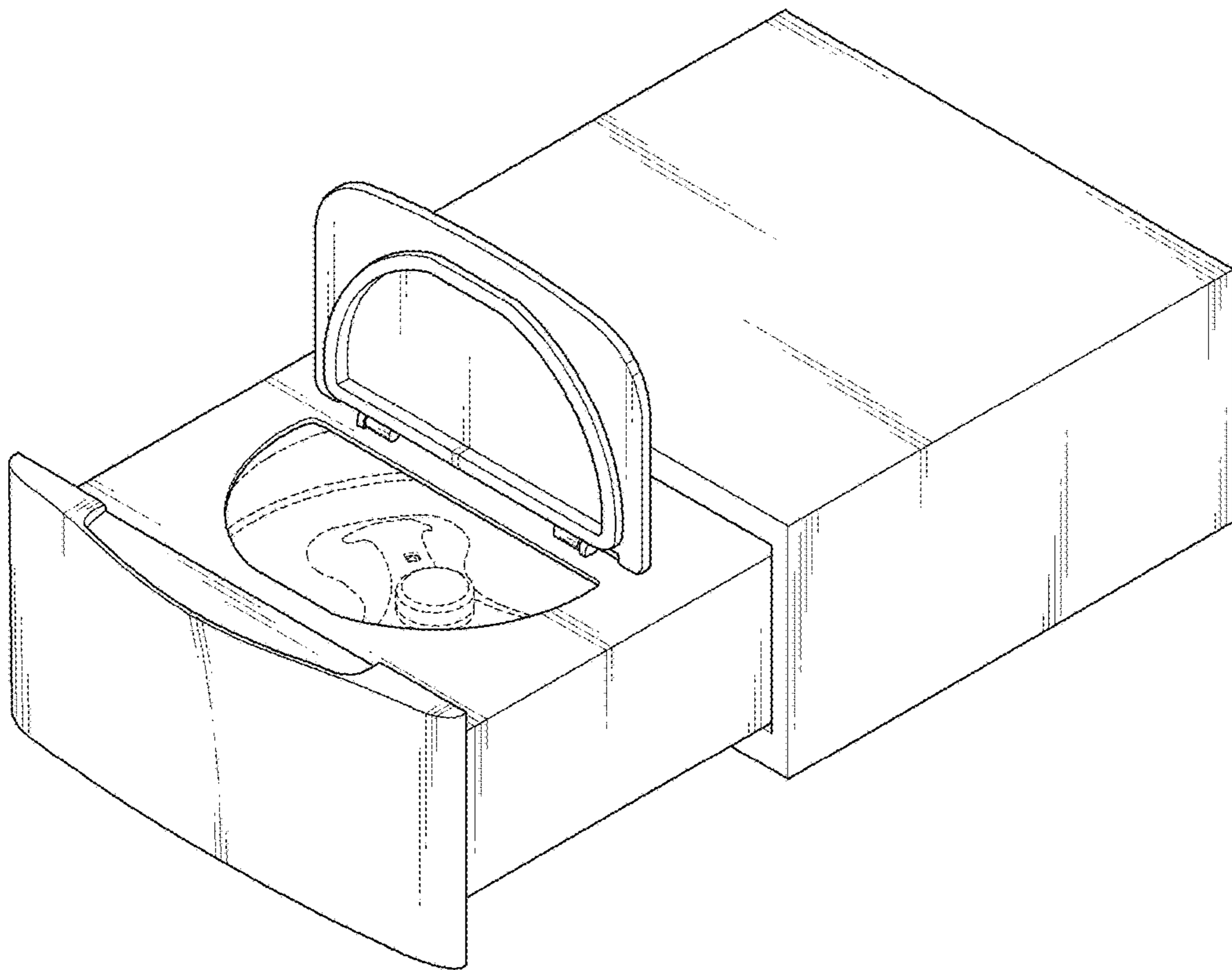
1. 6



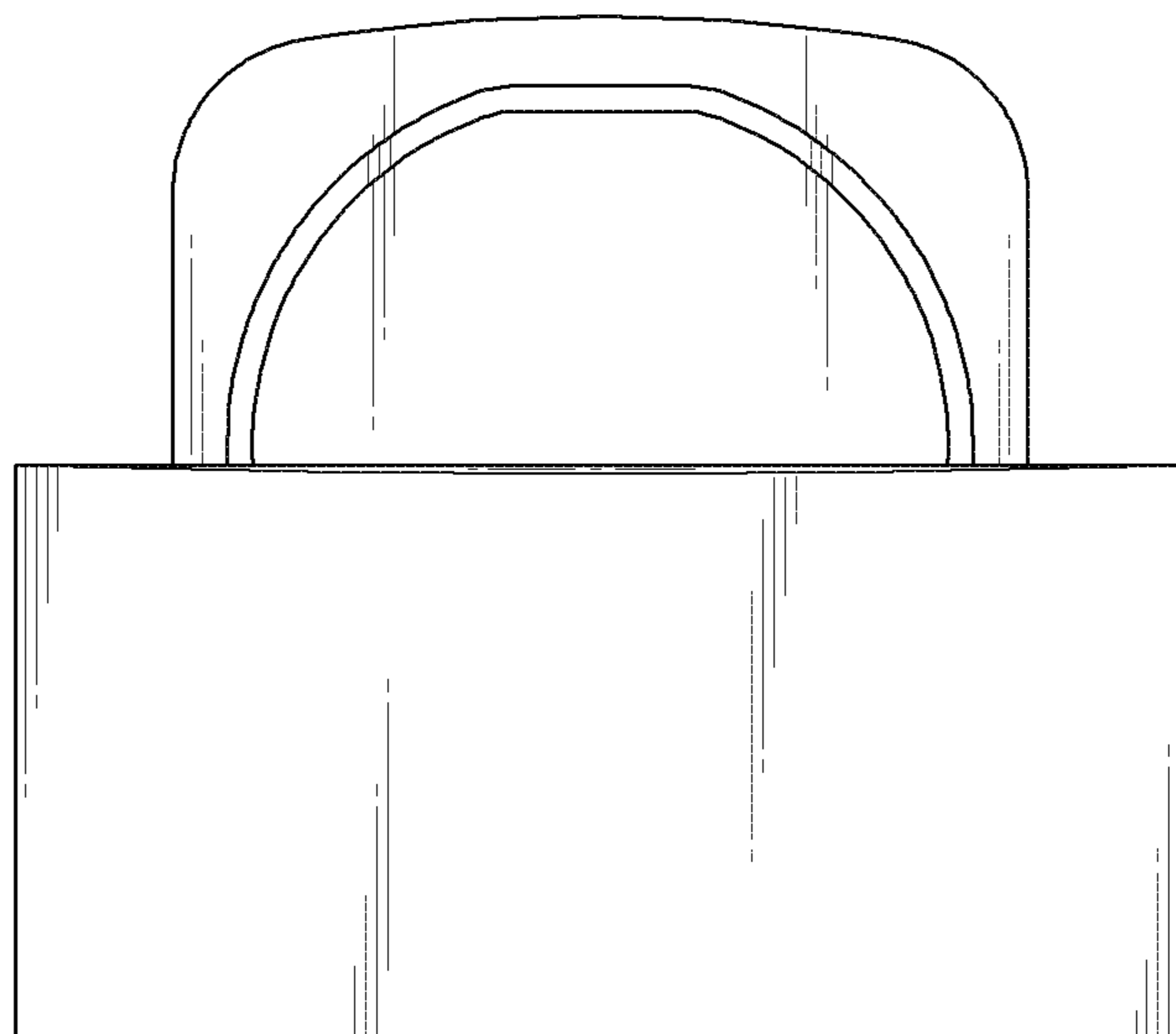
1.7



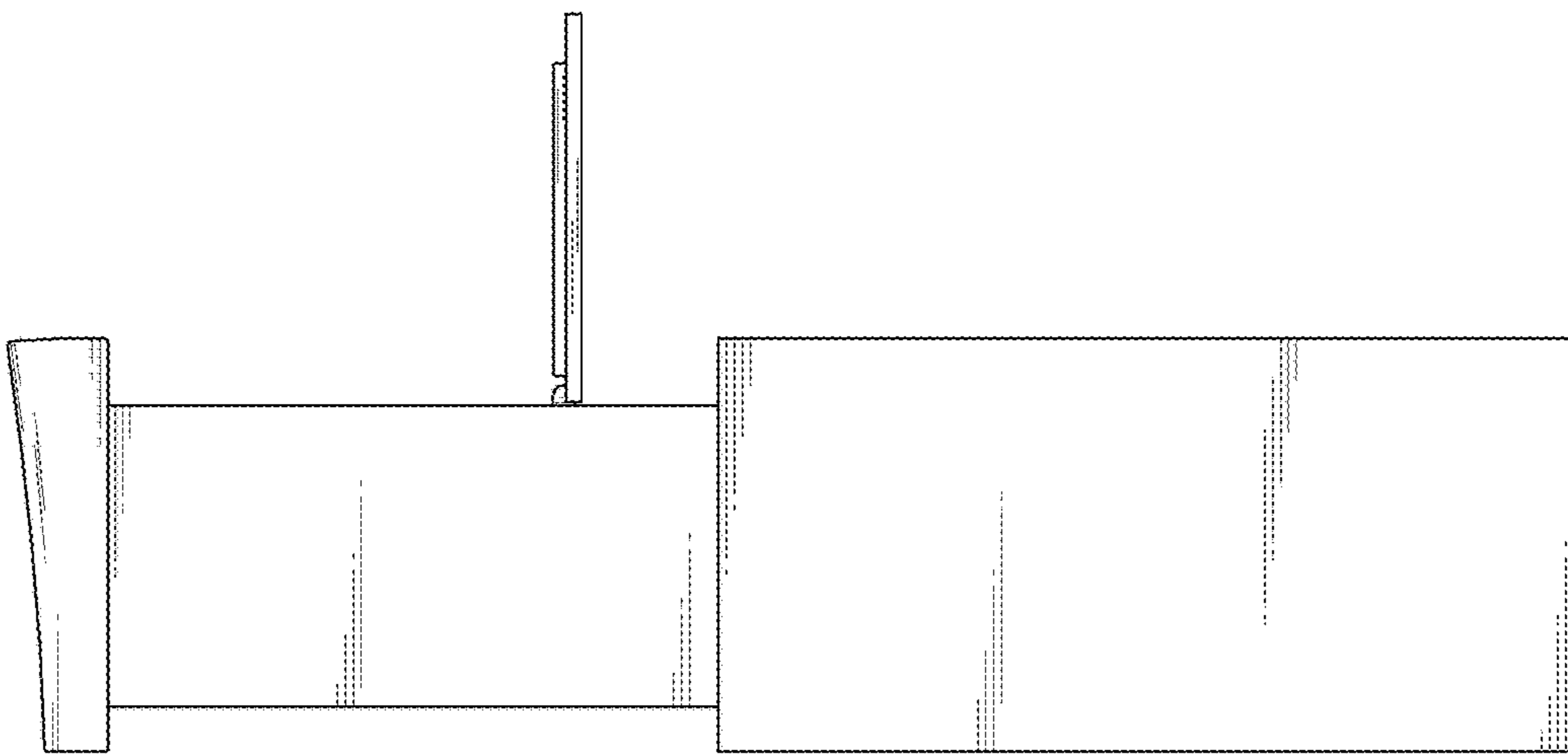
1. 8



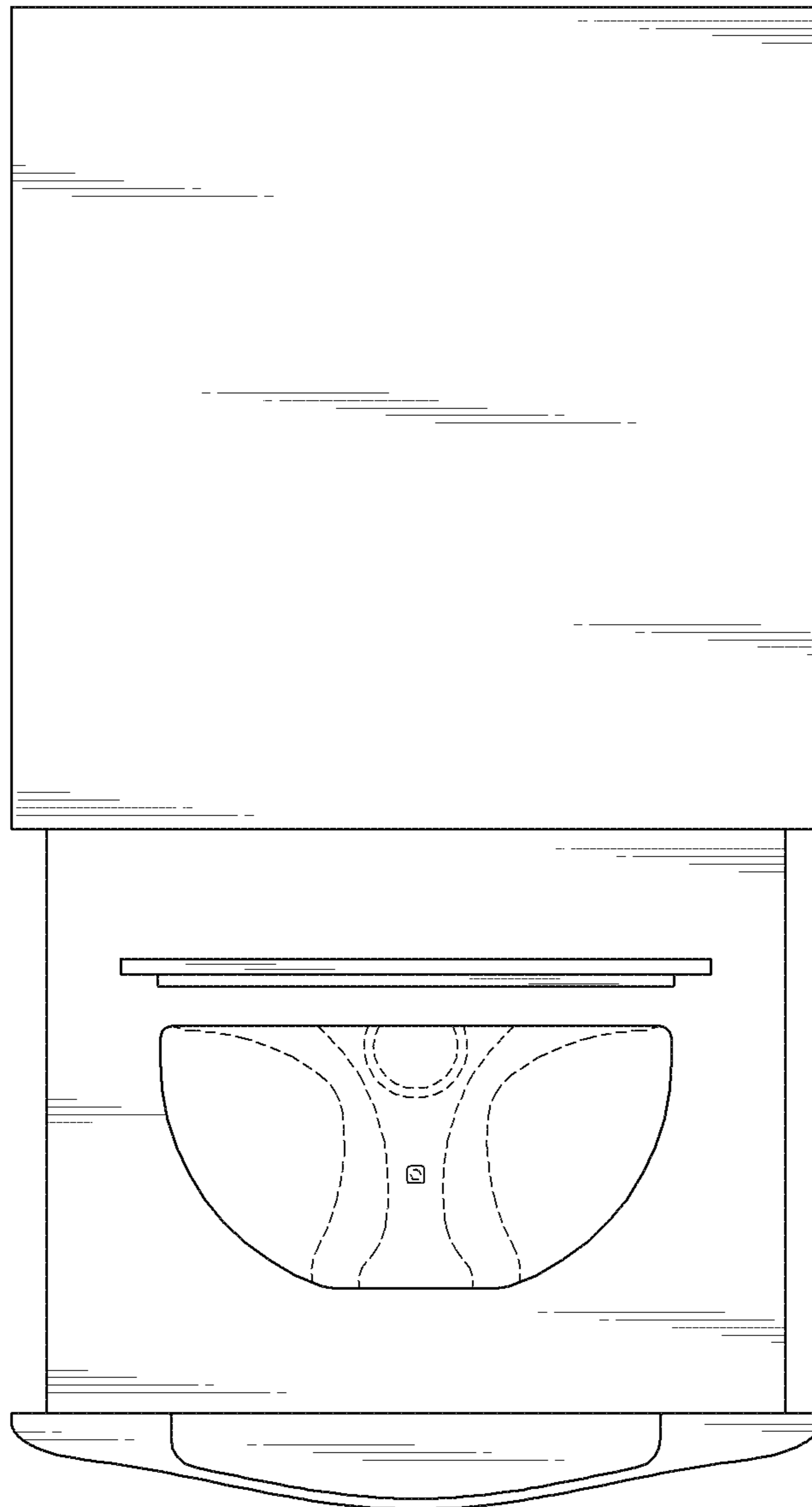
1.9



1. 10



1. 11



1. 12

