

US00D816282S

(12) **United States Design Patent** (10) **Patent No.:** **US D816,282 S**
Kendall et al. (45) **Date of Patent:** **** Apr. 24, 2018**

(54) **LAUNDRY WASHING MODULE**

(56) **References Cited**

(71) Applicant: **WHIRLPOOL CORPORATION**,
Benton Harbor, MI (US)
(72) Inventors: **James Kendall**, Mt. Prospect, IL (US);
Ameresh Viswanathan, Saint Joseph,
MI (US)
(73) Assignee: **Whirlpool Corporation**, Benton
Harbor, MI (US)
(**) Term: **15 Years**
(21) Appl. No.: **29/582,129**
(22) Filed: **Oct. 25, 2016**

U.S. PATENT DOCUMENTS

2,060,065 A 11/1936 Gill et al.
2,786,730 A 3/1957 Thurston
3,402,477 A 9/1968 Hubbard
3,555,701 A 1/1971 Hubbard
3,606,506 A 9/1971 Ungaro
5,466,058 A 11/1995 Chan
5,951,127 A 9/1999 Smith
6,189,551 B1 2/2001 Sargeant et al.
D457,694 S 5/2002 Richardson
D460,224 S 7/2002 Richardson
D465,072 S 10/2002 Richardson
D467,691 S 12/2002 Richardson
D474,566 S * 5/2003 Baldwin D32/25
6,585,225 B1 7/2003 Lake
6,618,887 B2 9/2003 Kim et al.
6,732,552 B2 5/2004 Kim et al.
D506,090 S 6/2005 Ben-Or
D521,702 S 5/2006 No et al.

(Continued)

Related U.S. Application Data

(63) Continuation of application No. 12/489,710, filed on Jun. 23, 2009, now abandoned, which is a continuation of application No. 11/322,740, filed on Dec. 30, 2005, now abandoned, and a continuation of application No. 11/323,125, filed on Dec. 30, 2005, now Pat. No. 7,628,043, said application No. 12/489,710 is a continuation of application No. 11/323,221, filed on Dec. 30, 2005, now Pat. No. 7,624,600, which is a continuation-in-part of application No. 10/971,671, filed on Oct. 22, 2004, now Pat. No. 7,513,132.

(51) **LOC (11) Cl.** **15-05**
(52) **U.S. Cl.**
USPC **D32/6**
(58) **Field of Classification Search**
USPC D32/1, 5-6, 8, 25, 28, 29
CPC D06F 33/02; D06F 39/02; D06F 2204/065;
D06F 25/00; D06F 35/006
See application file for complete search history.

FOREIGN PATENT DOCUMENTS

DE 2402065 7/1975
DE 3213420 10/1983

(Continued)

Primary Examiner — Michelle E Wilson

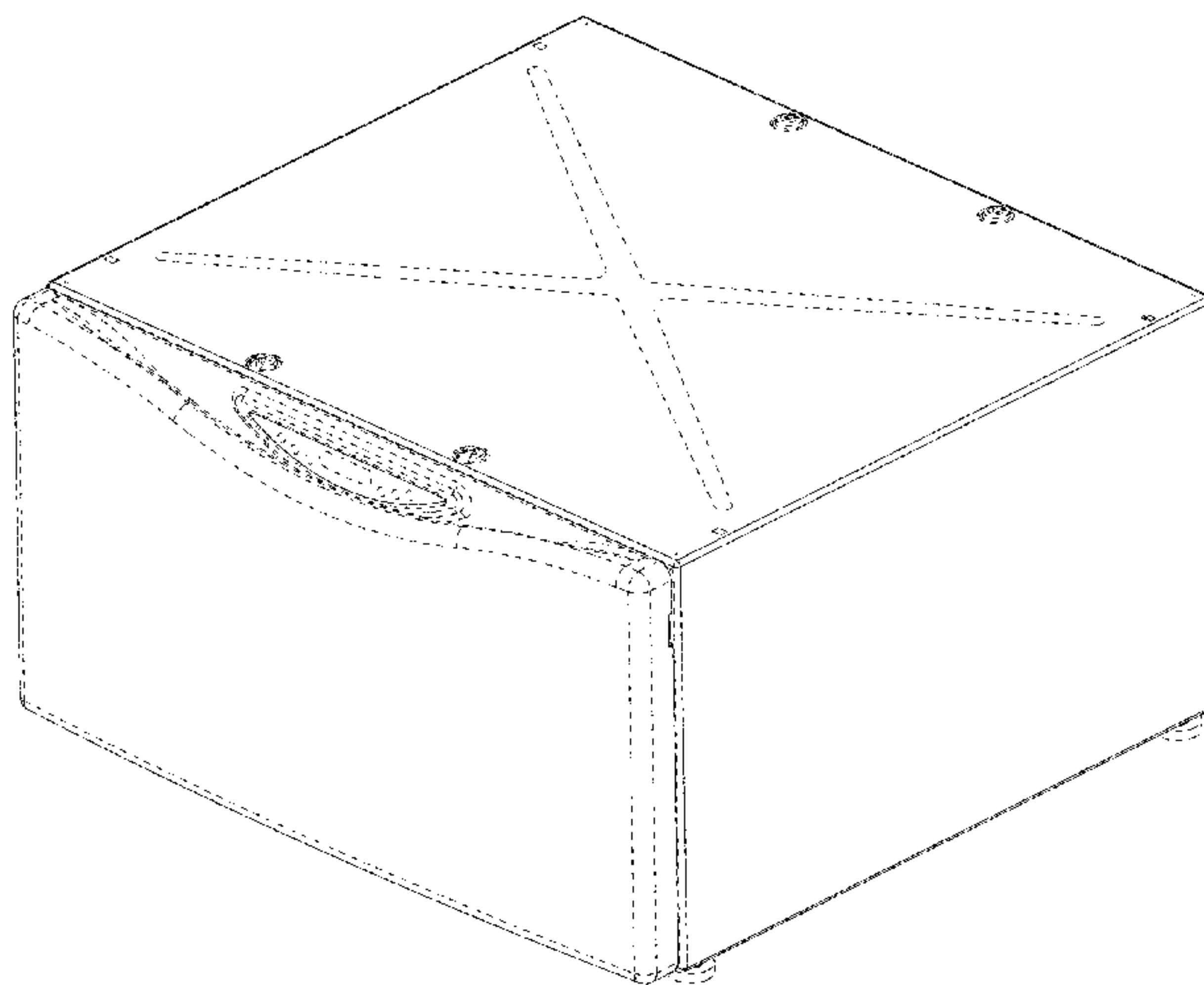
(57) **CLAIM**

The ornamental design for a laundry washing module, as shown and described.

DESCRIPTION

FIG. 1 is a front perspective view of a laundry washing module showing our new design; and, FIG. 2 is a front perspective view of the laundry washing module of FIG. 1, with a wash drawer of the washing module in an opened position. The broken lines are showing portions of a laundry washing module that form no part of the claimed design.

1 Claim, 2 Drawing Sheets



(56)

References Cited

U.S. PATENT DOCUMENTS

D549,408 S * 8/2007 Lee D32/25
 7,513,132 B2 4/2009 Wright et al.
 D620,211 S * 7/2010 Shail D32/25
 D633,670 S * 3/2011 Grutzke D32/25
 7,913,419 B2 * 3/2011 Tomasi D06F 29/00
 211/85.3
 D759,910 S * 6/2016 Chung D32/6
 D759,911 S * 6/2016 Chung D32/6
 D767,837 S * 9/2016 Chee D32/25
 D773,132 S * 11/2016 Ha D32/25
 D773,133 S * 11/2016 Ha D32/25
 D784,637 S * 4/2017 Kim D32/25
 D792,035 S * 7/2017 Chung D32/6
 2002/0017117 A1 2/2002 Sunshine et al.
 2004/0134087 A1 7/2004 Meyer
 2004/0134237 A1 7/2004 Sunshine et al.
 2004/0221624 A1 11/2004 Fumagalli
 2004/0226320 A1 11/2004 Bongini
 2004/0245899 A1 12/2004 Cho

2004/0263032 A1 12/2004 Cho
 2005/0155393 A1 7/2005 Wright et al.
 2005/0172678 A1 8/2005 Kim et al.
 2005/0275325 A1 12/2005 Yang
 2007/0151120 A1 7/2007 Tomasi et al.
 2010/0018259 A1 1/2010 Jeong et al.
 2010/0101282 A1 4/2010 Jeong et al.

FOREIGN PATENT DOCUMENTS

DE 4228469 5/1993
 DE 9419048 3/1995
 DE 19838630 3/2000
 DE 20101254 4/2001
 DE 10055918 5/2002
 DE 20302572 4/2003
 EP 1205129 5/2002
 EP 1467015 10/2004
 KR 2005115968 A 12/2005
 WO 9829595 7/1998

* cited by examiner

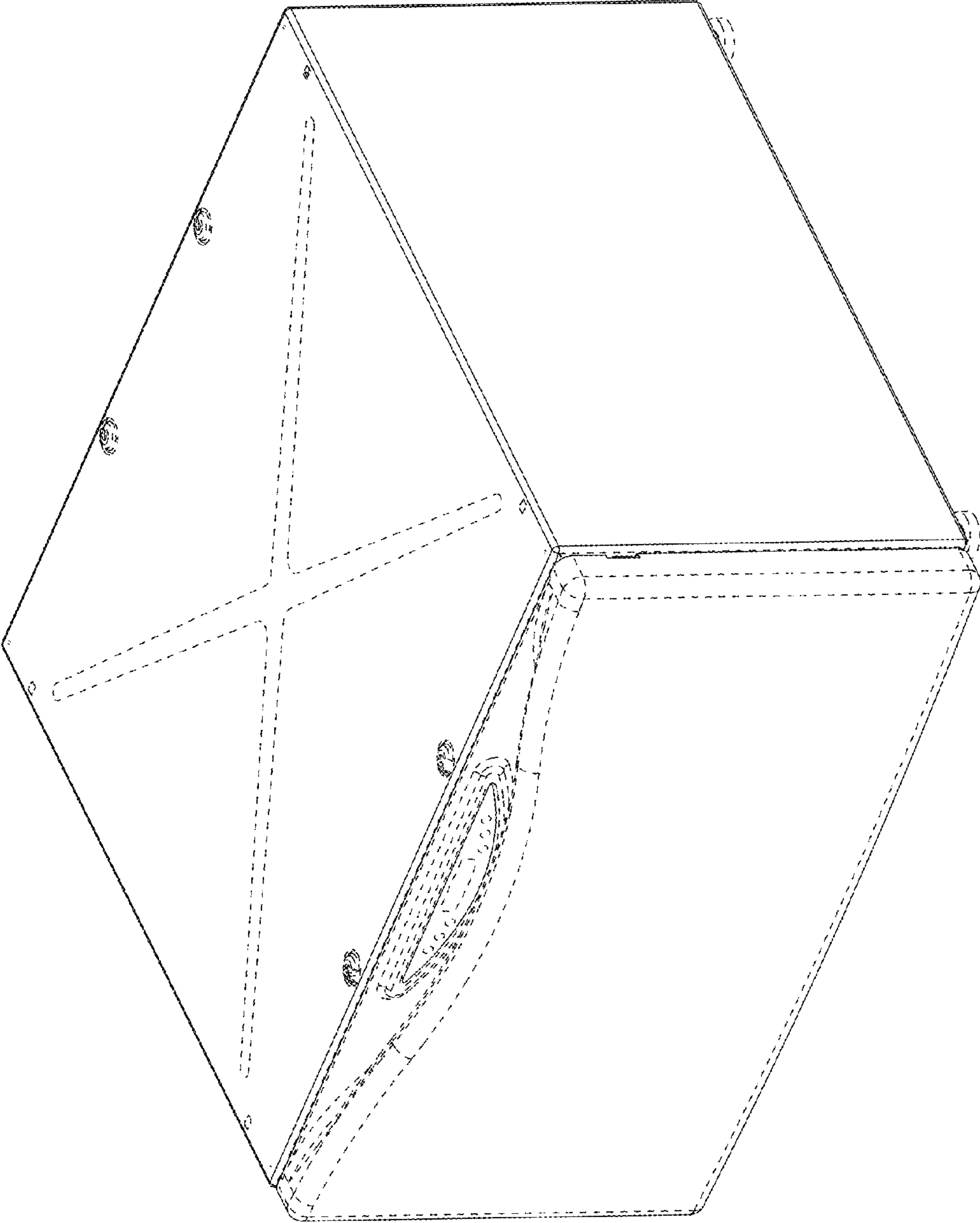


FIG. 1

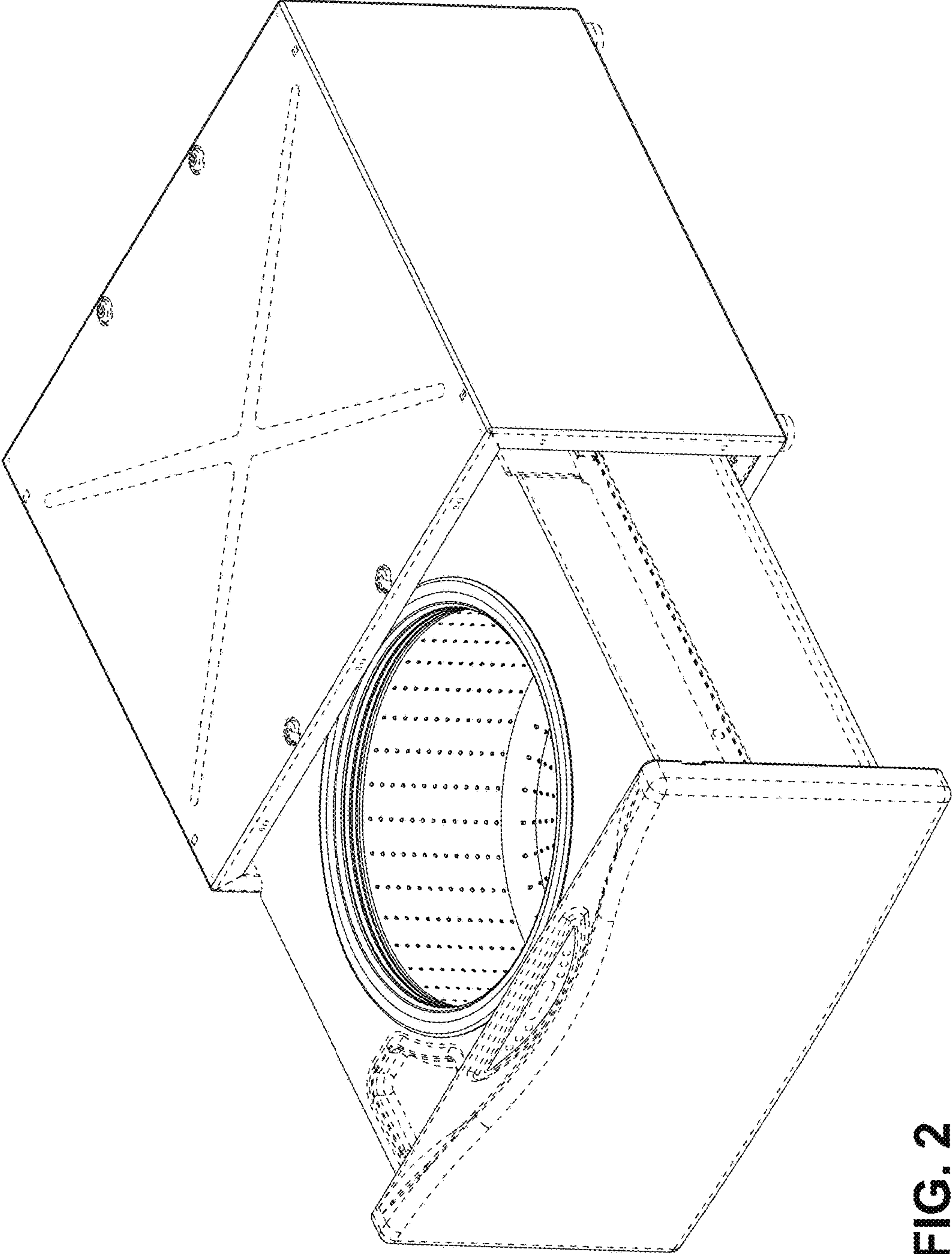


FIG. 2