



US00D816281S

(12) **United States Design Patent**  
**Stravitz et al.**

(10) **Patent No.:** **US D816,281 S**  
(45) **Date of Patent:** **\*\* Apr. 24, 2018**

(54) **LITTER BOX**

(71) Applicants: **David M Stravitz**, New York, NY  
(US); **Alison L Diamond**, New York,  
NY (US)

(72) Inventors: **David M Stravitz**, New York, NY  
(US); **Alison L Diamond**, New York,  
NY (US)

(\*\*) Term: **15 Years**

(21) Appl. No.: **29/594,806**

(22) Filed: **Feb. 22, 2017**

(51) **LOC (11) Cl.** ..... **30-99**

(52) **U.S. Cl.**  
USPC ..... **D30/161; D30/118**

(58) **Field of Classification Search**  
USPC ..... D30/161, 118; D6/349  
CPC ..... A01K 1/0107  
See application file for complete search history.

(56) **References Cited**

**U.S. PATENT DOCUMENTS**

D224,792 S	9/1972	Knox, Jr.	
D245,348 S *	8/1977	Haviland	D30/114
D248,333 S	6/1978	Haugen	
4,327,667 A *	5/1982	Bilak	A01K 1/0114 119/166
D319,114 S *	8/1991	Kiga	D30/108
D350,422 S *	9/1994	Foster, Sr.	D30/109
D496,501 S	9/2004	Walter et al.	
D530,458 S	10/2006	Arnim	
D605,367 S	12/2009	Northrop	
D632,026 S *	2/2011	Higashi	D30/118
D676,613 S *	2/2013	Chiu	D30/117
D677,012 S	2/2013	Duvigneau	
D691,335 S	10/2013	Zettlemoyer	
D716,002 S	10/2014	Greenan	
D726,971 S *	4/2015	Itzhak-Sigron	D30/118
D728,172 S	4/2015	Matsuo et al.	

D749,277 S *	2/2016	Avalos Sartorio	D30/161
D753,886 S	4/2016	Veness	
D754,406 S	4/2016	Karsted	
D769,544 S *	10/2016	Niedwick	D30/112
D769,545 S *	10/2016	Niedwick	D30/112
D773,749 S	12/2016	Itzhak-Sigron et al.	
9,750,225 B1 *	9/2017	Makins	A01K 1/0114
2005/0115509 A1 *	6/2005	Rudolph	A01K 1/0107 119/165

(Continued)

*Primary Examiner* — Cathy A MacCormac

(74) *Attorney, Agent, or Firm* — Brian Roffe

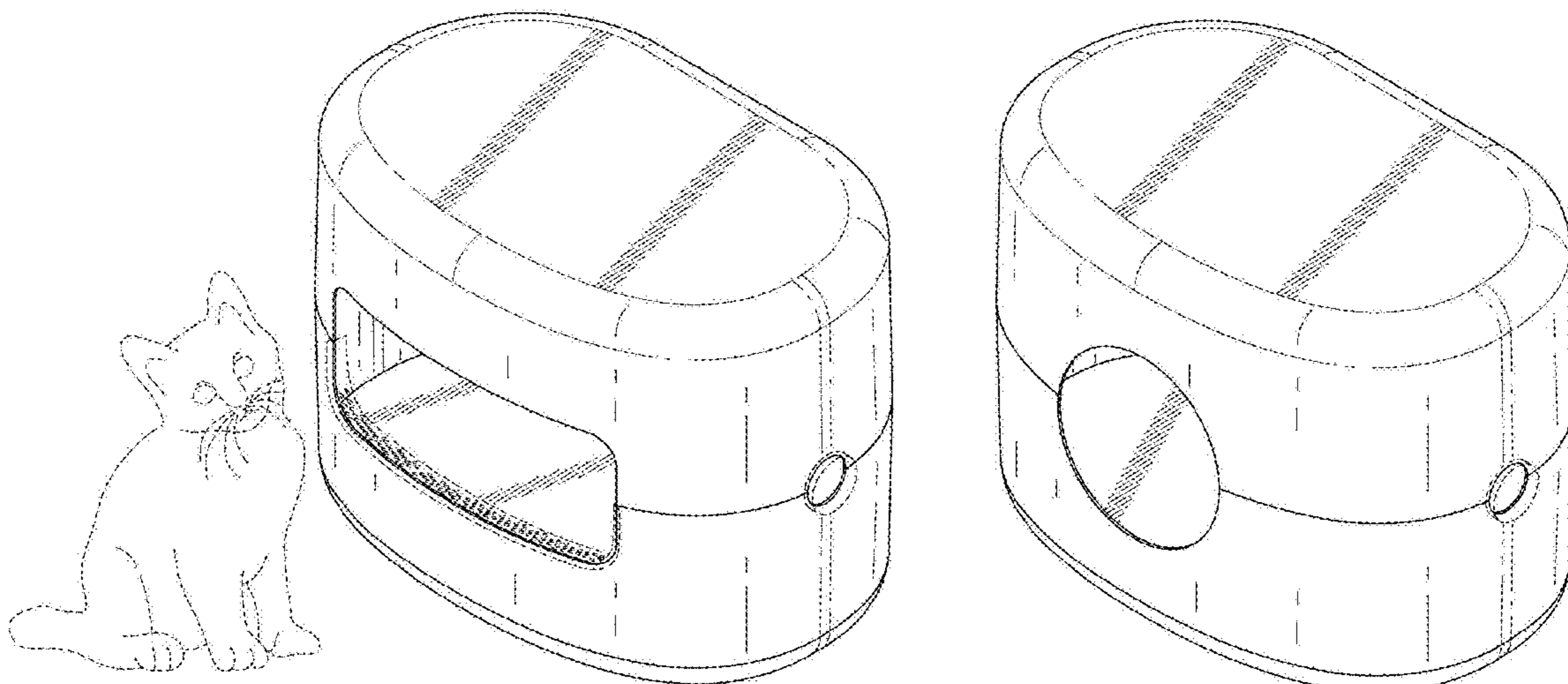
(57) **CLAIM**

The ornamental design for a litter box, as shown and described.

**DESCRIPTION**

FIG. 1 is a front perspective view of a first embodiment of a litter box showing my new design;  
 FIG. 2 is another front perspective view thereof;  
 FIG. 3 is a front elevational view thereof;  
 FIG. 4 is a rear elevational view thereof;  
 FIG. 5 is a top plan view thereof;  
 FIG. 6 is a bottom plan view thereof;  
 FIG. 7 is a left elevational view thereof;  
 FIG. 8 is a right elevational view thereof;  
 FIG. 9 is a front perspective view of a second embodiment of FIG. 1;  
 FIG. 10 is another front perspective view of FIG. 9;  
 FIG. 11 is a front elevational view of FIG. 9;  
 FIG. 12 is a rear elevational view of FIG. 9;  
 FIG. 13 is a top plan view of FIG. 9;  
 FIG. 14 is a bottom plan view of FIG. 9;  
 FIG. 15 is a left elevational view of FIG. 9; and,  
 FIG. 16 is a right elevational view of FIG. 9.  
 The broken lines in the Figures depict environmental subject matter and form no part of the claimed design.

**1 Claim, 10 Drawing Sheets**



(56)

**References Cited**

U.S. PATENT DOCUMENTS

2012/0234252 A1\* 9/2012 Donta ..... A01K 1/0125  
119/168

\* cited by examiner

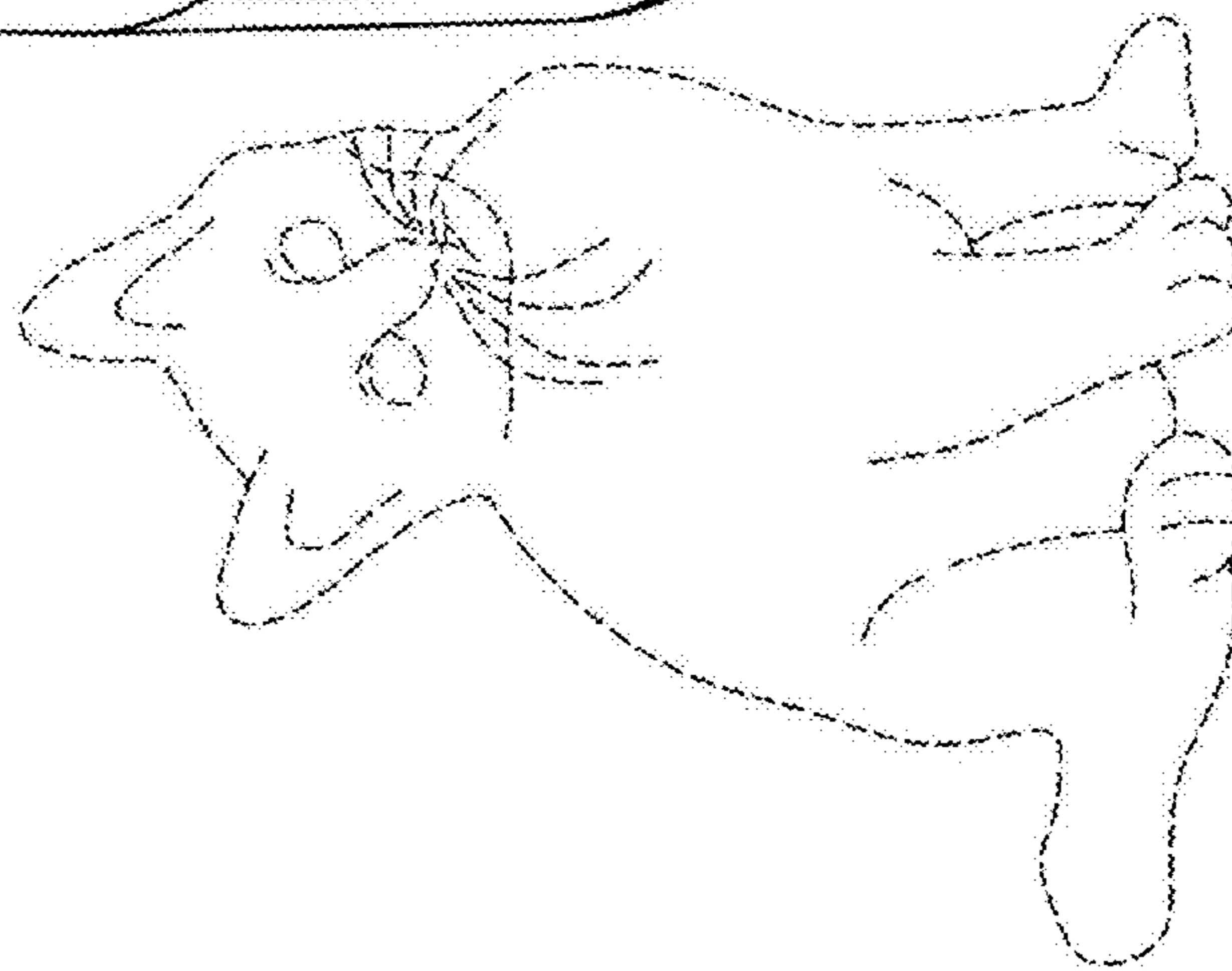
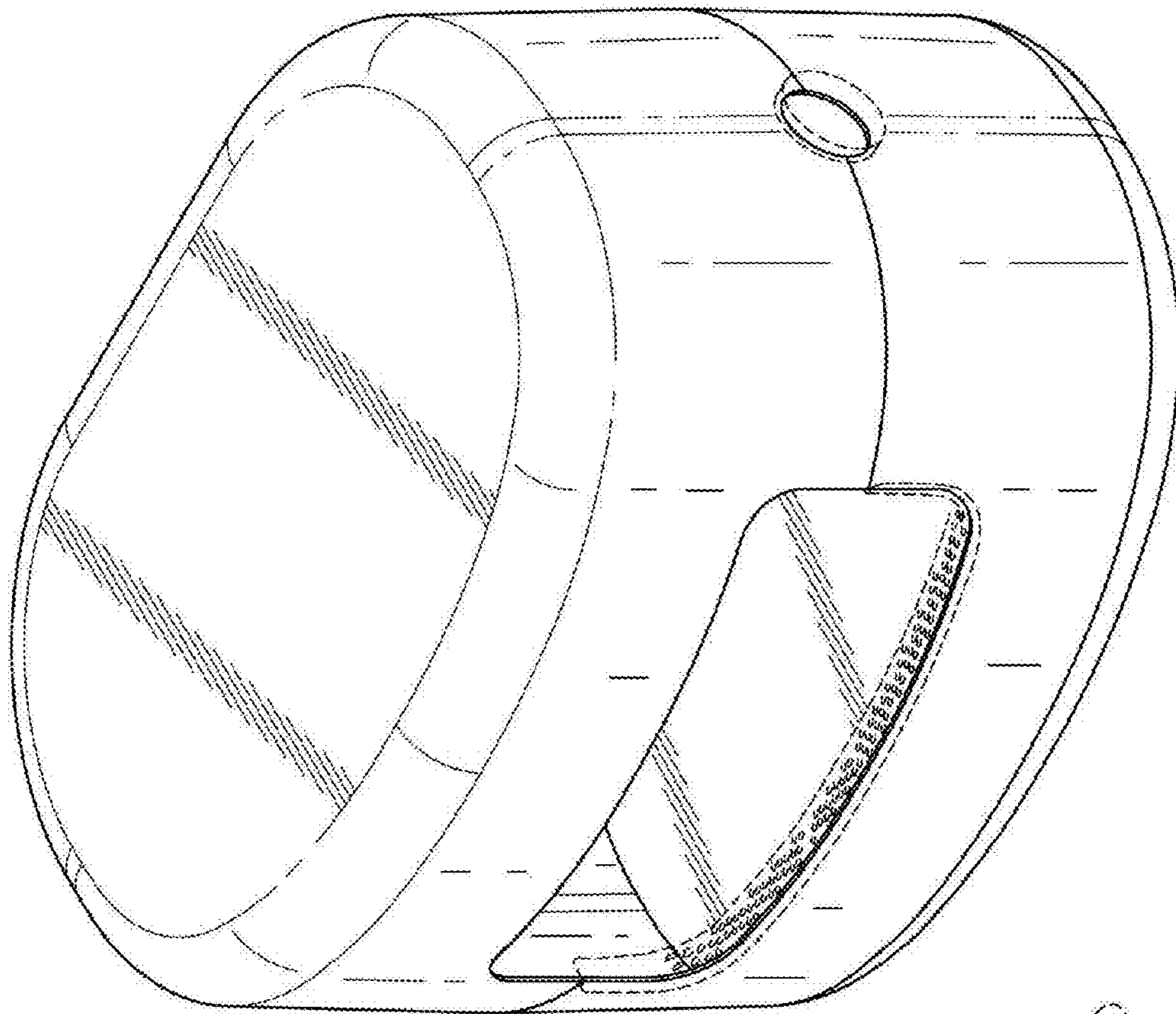


FIG. 1

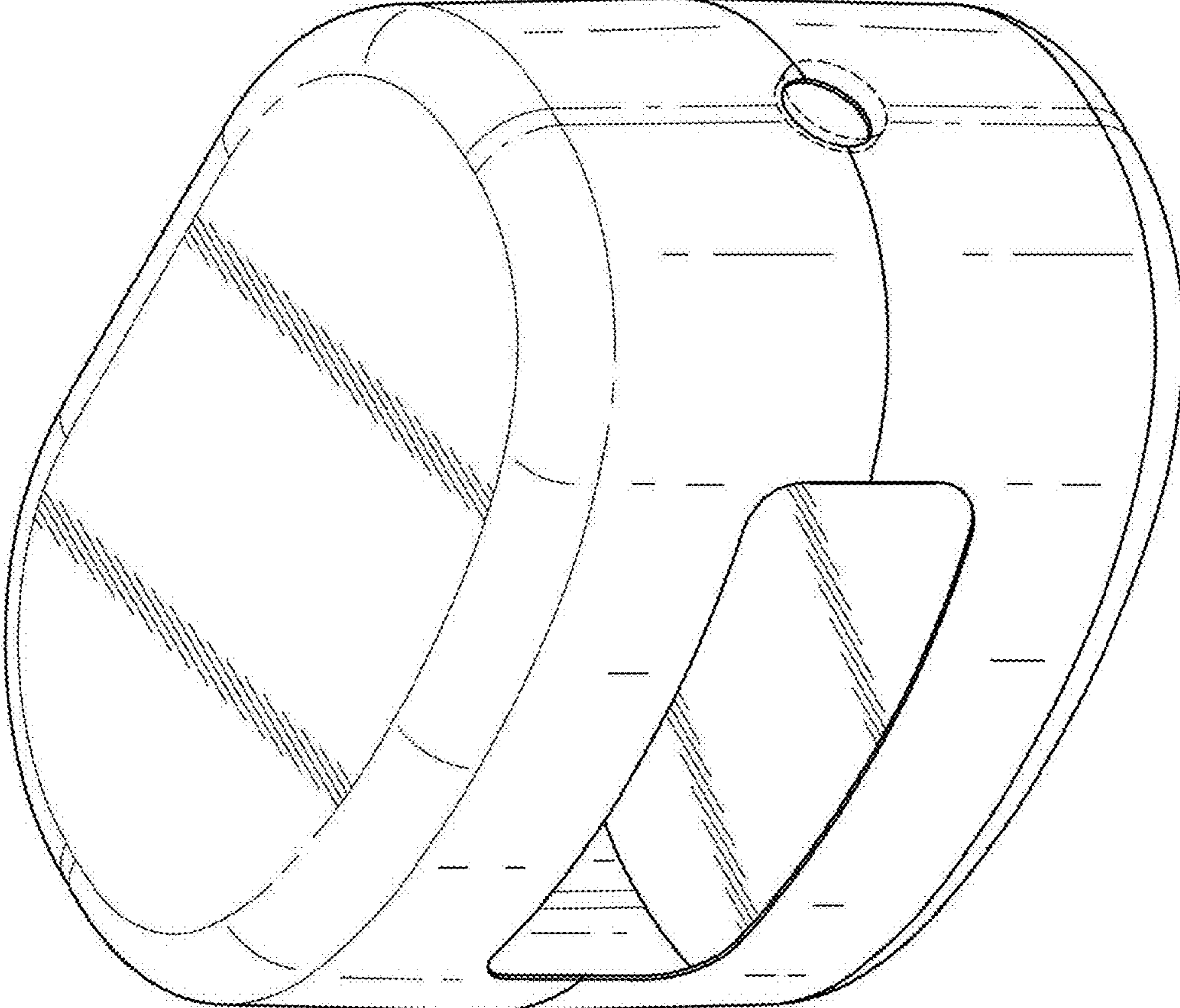


FIG. 2

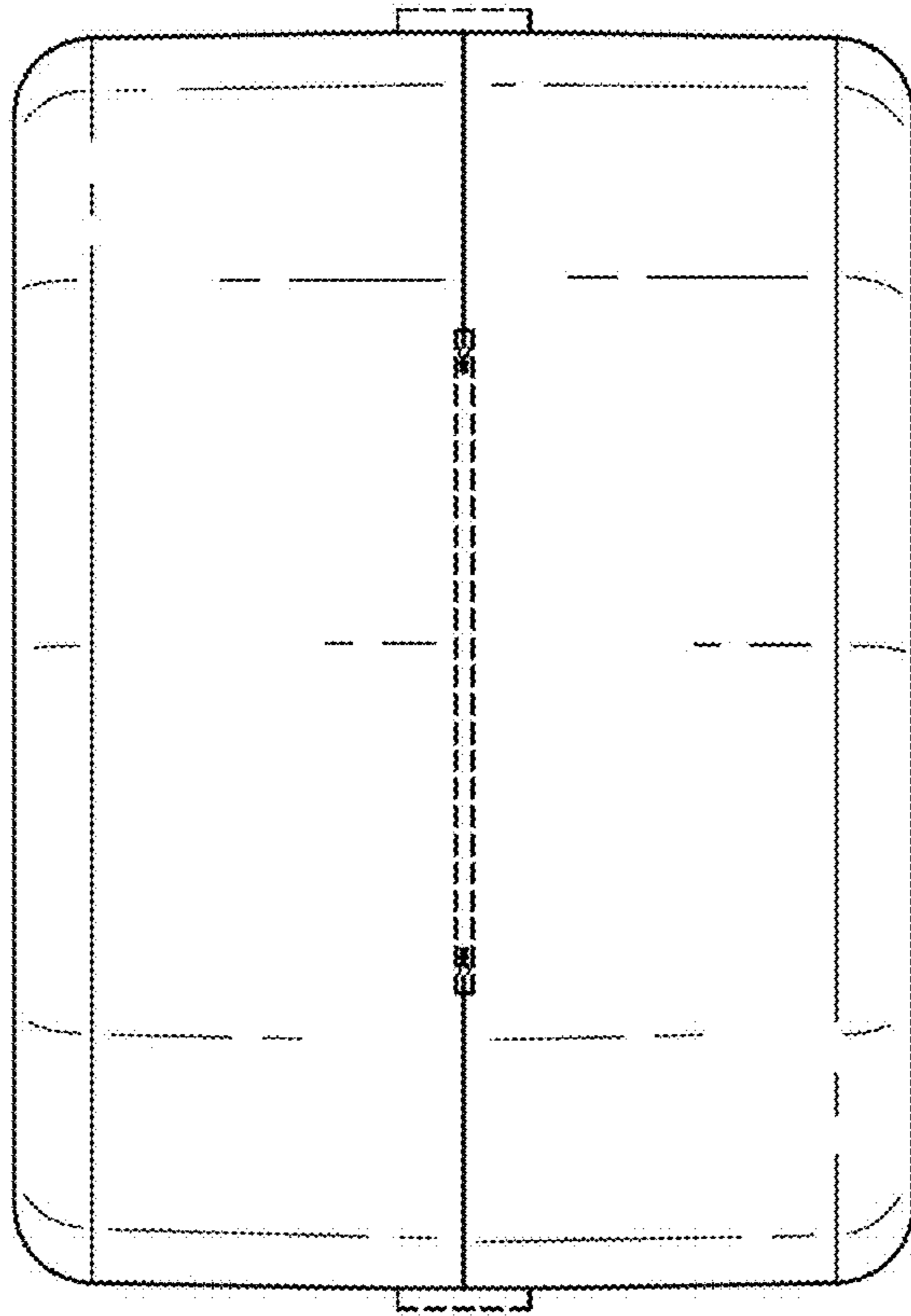


FIG. 3

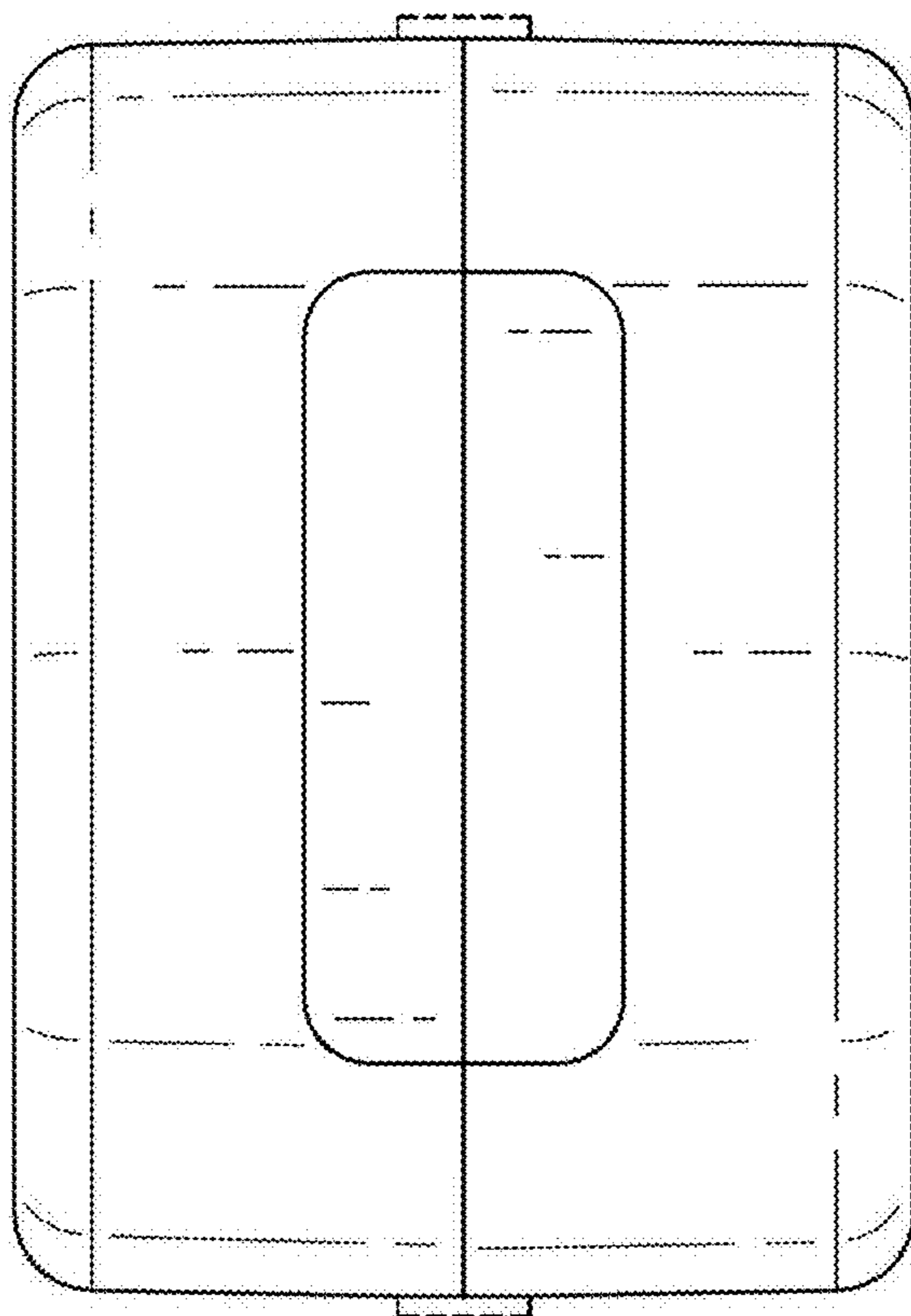


FIG. 4

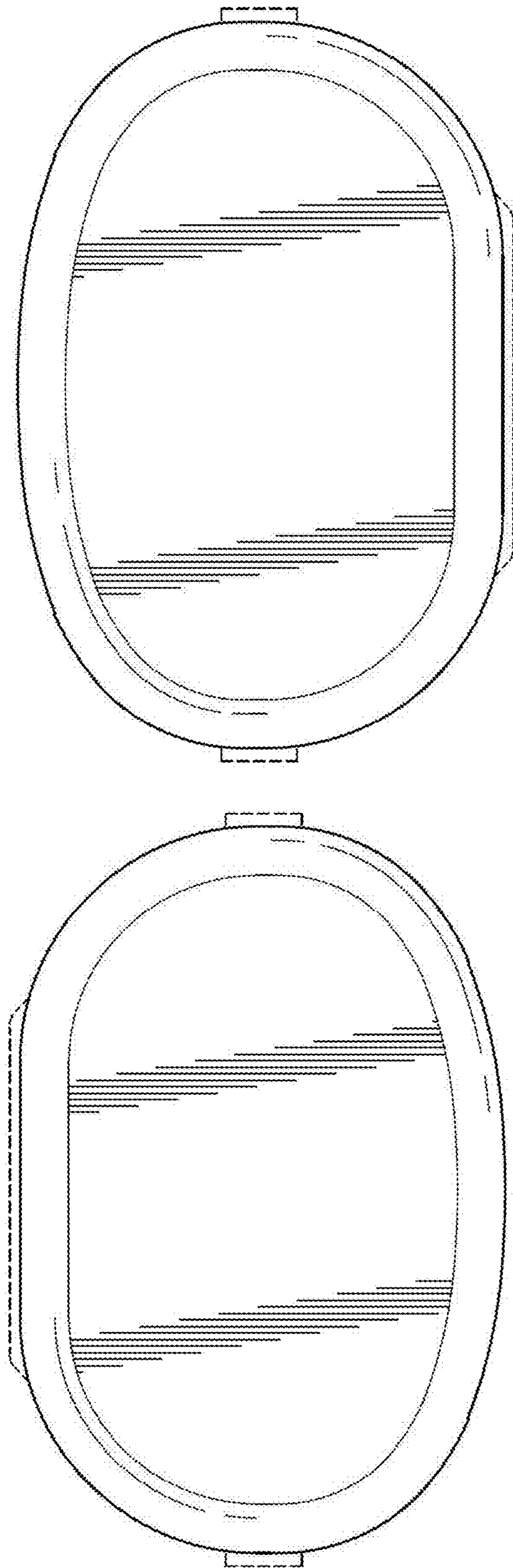


FIG. 6

FIG. 5

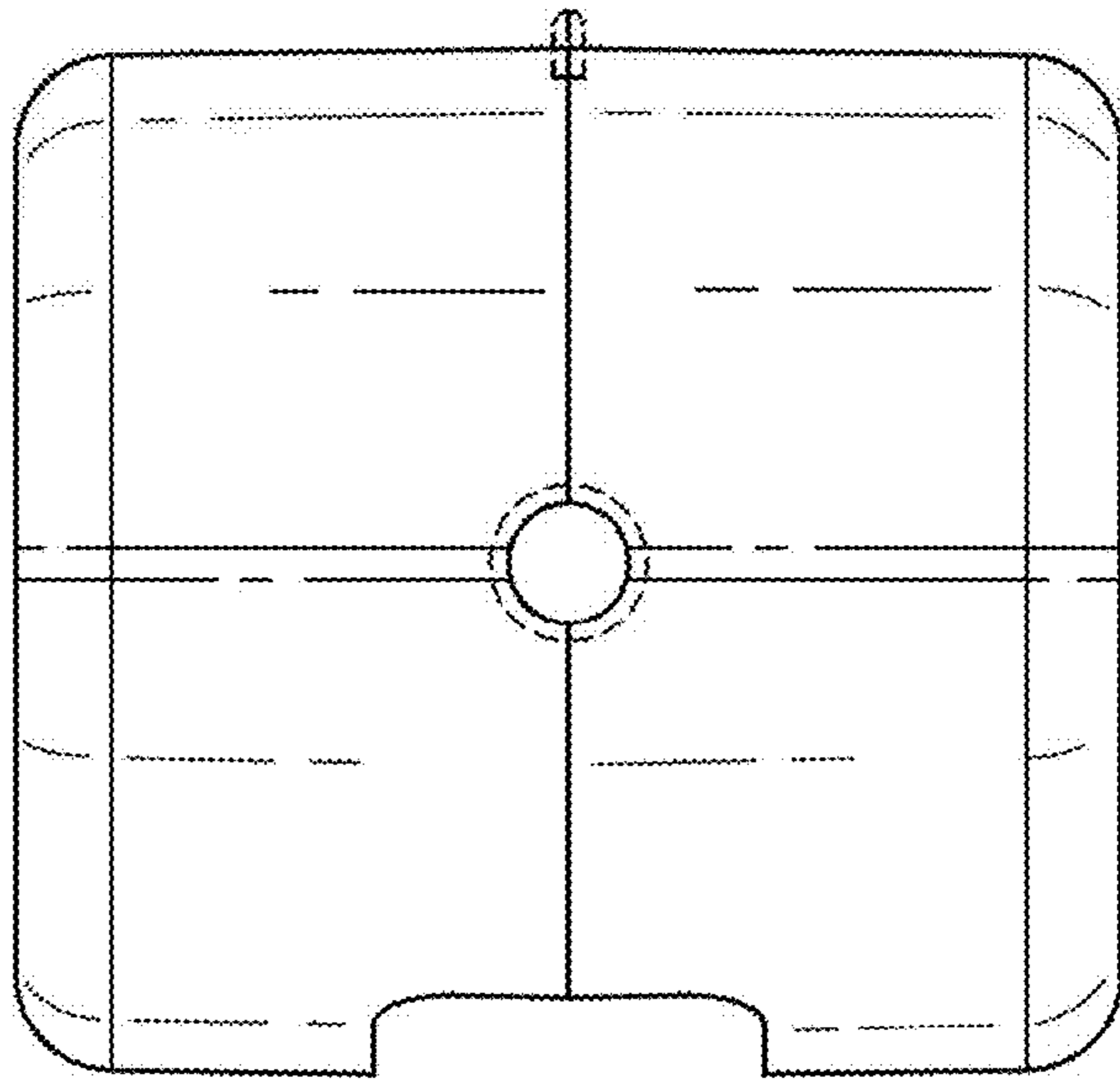


FIG. 8

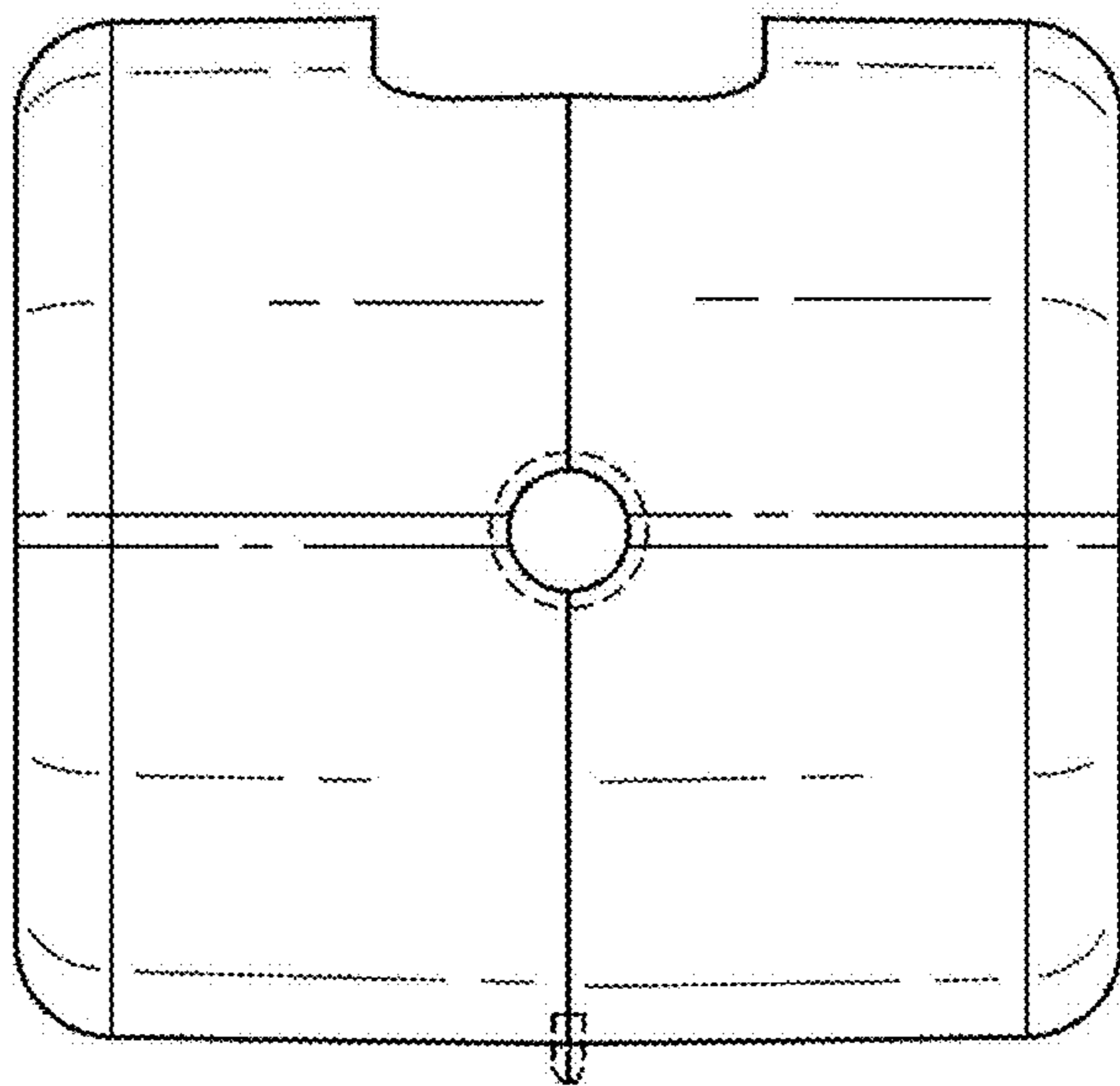


FIG. 7

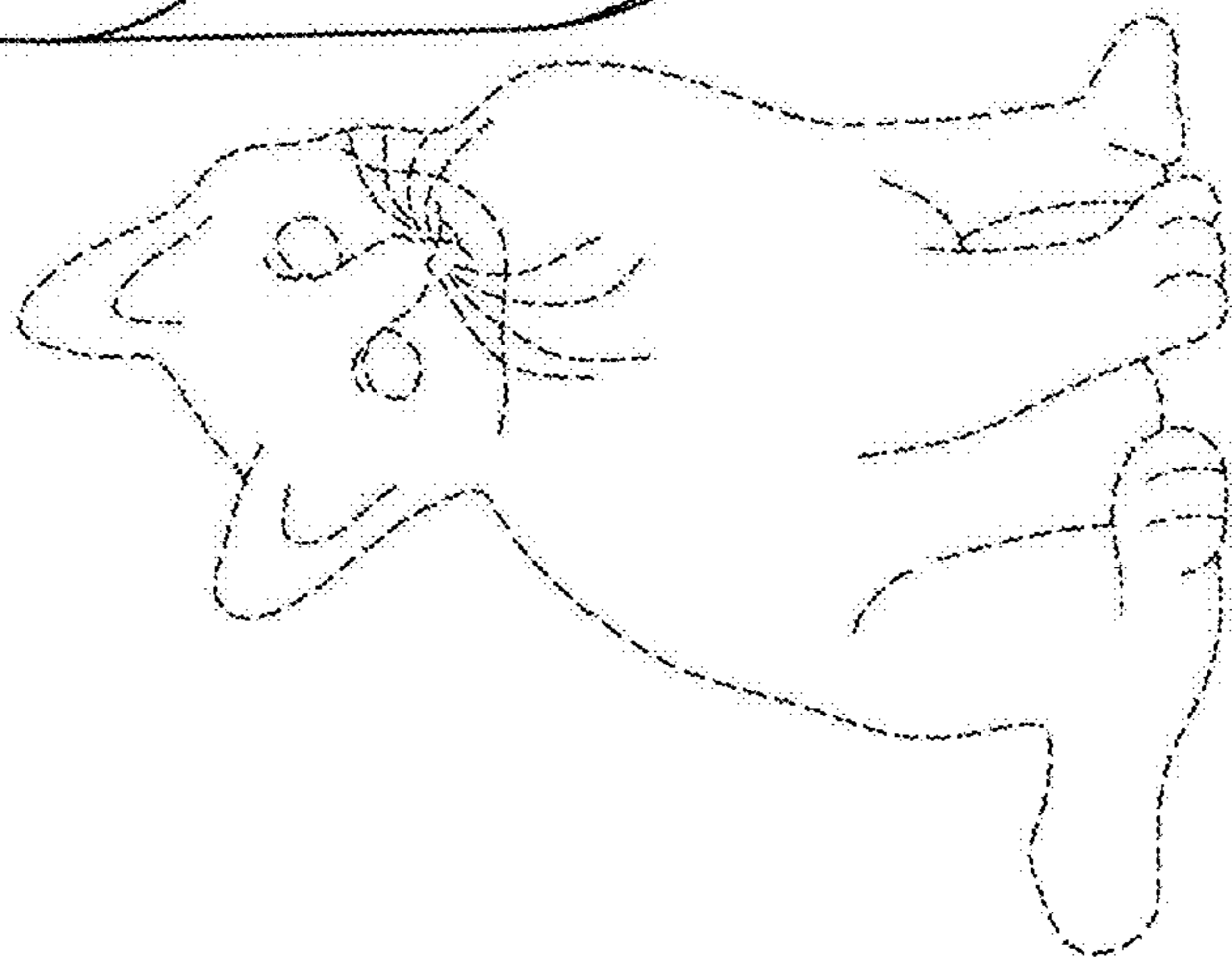
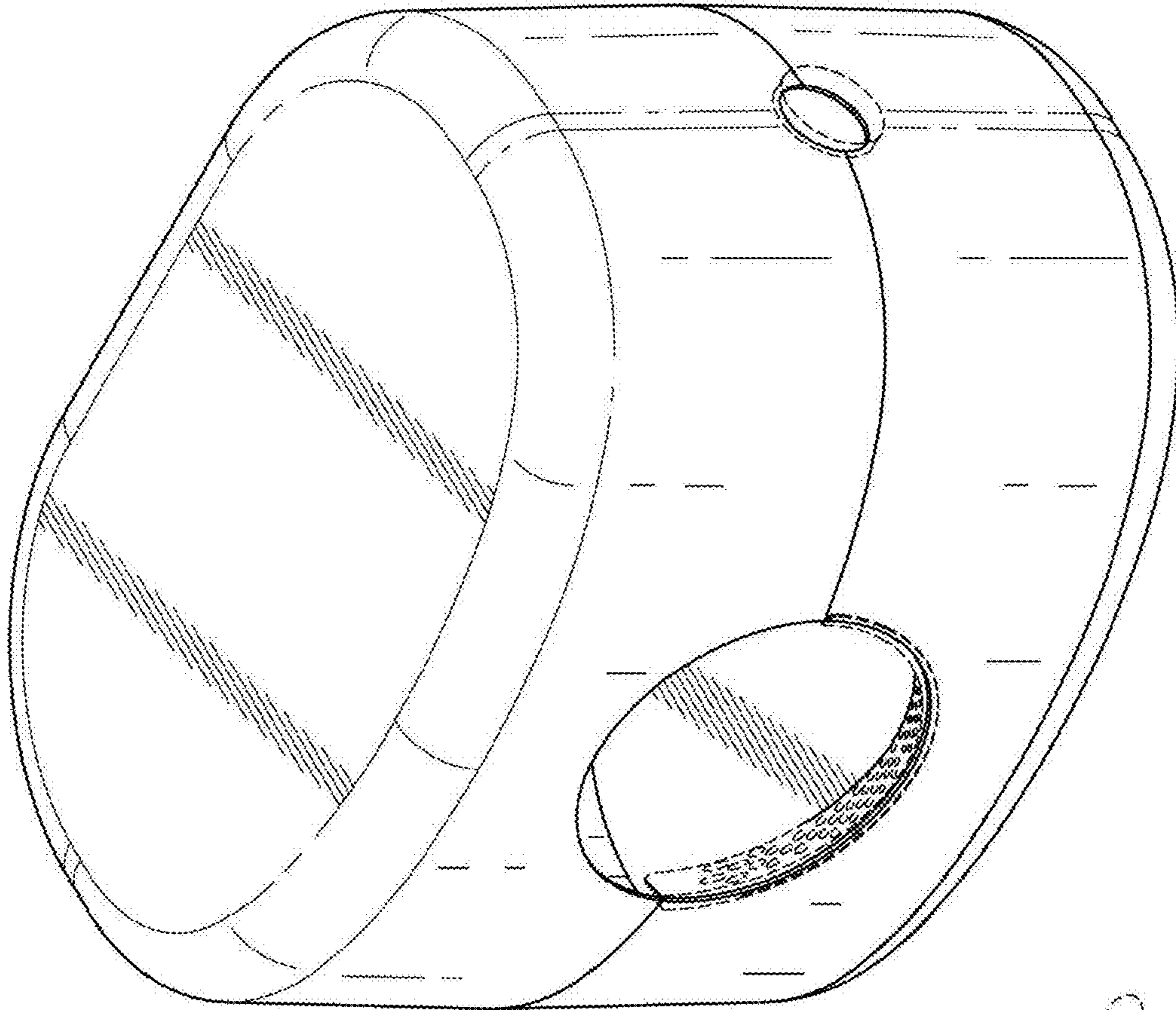


FIG. 9



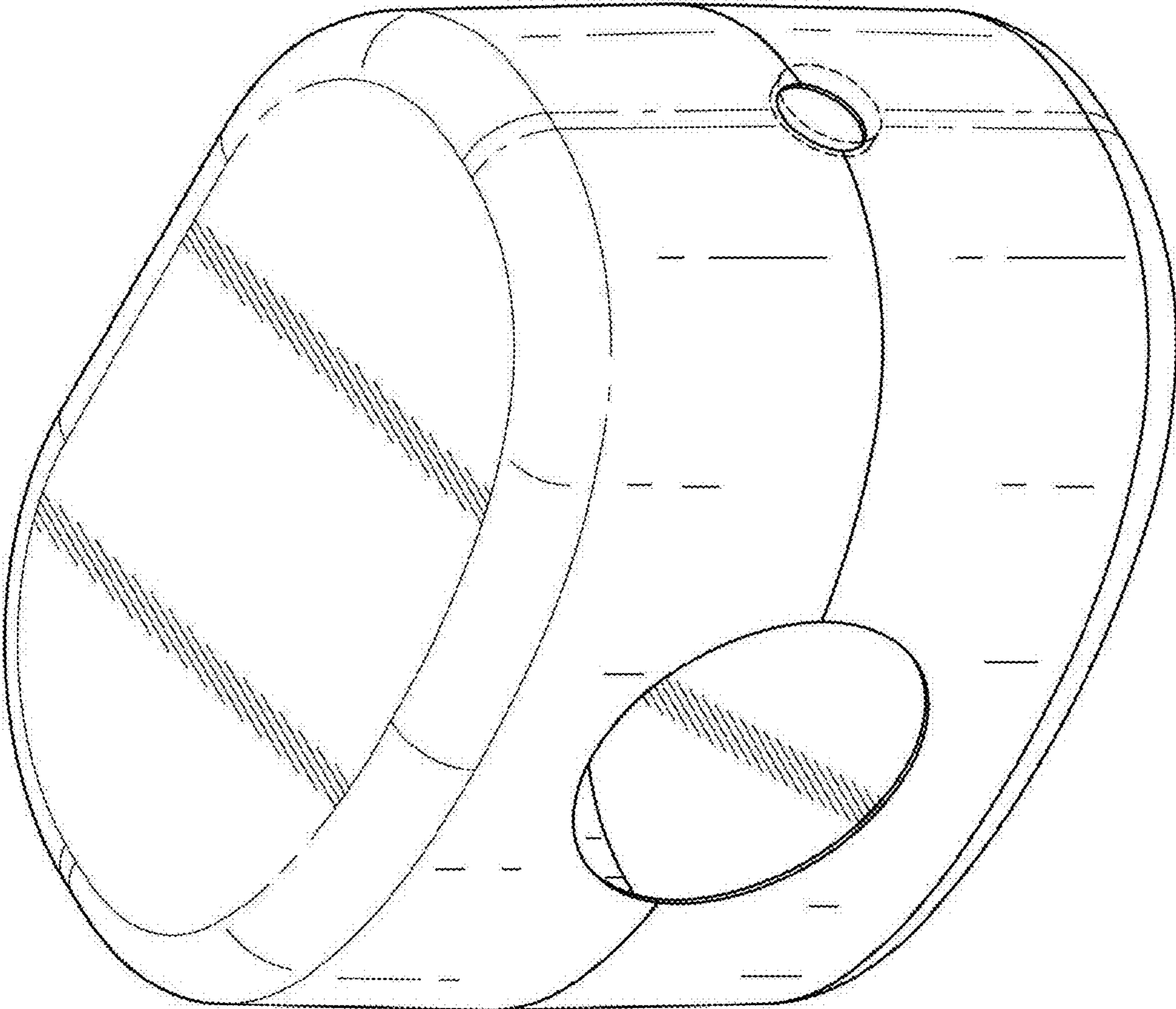


FIG. 10

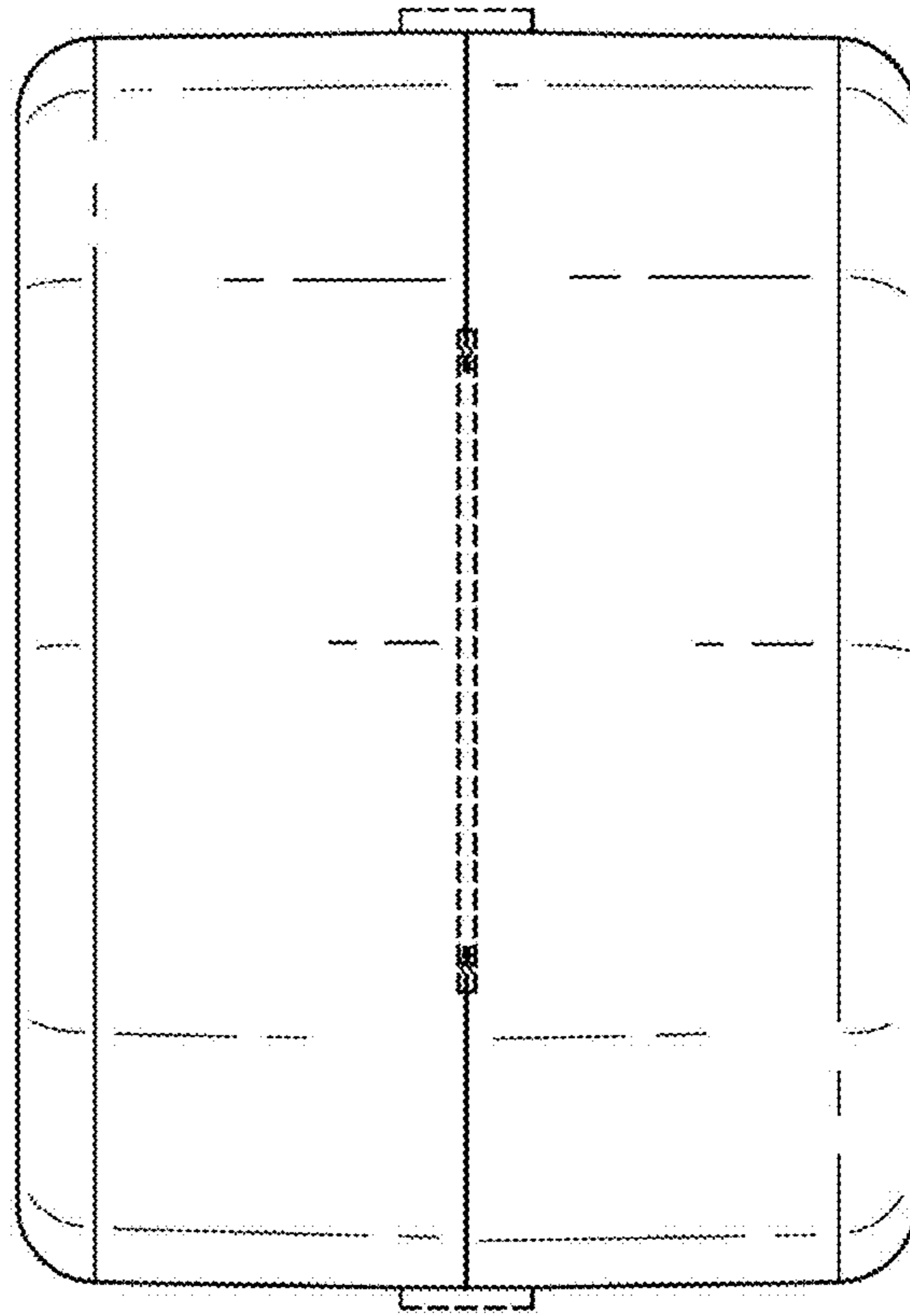


FIG. 11

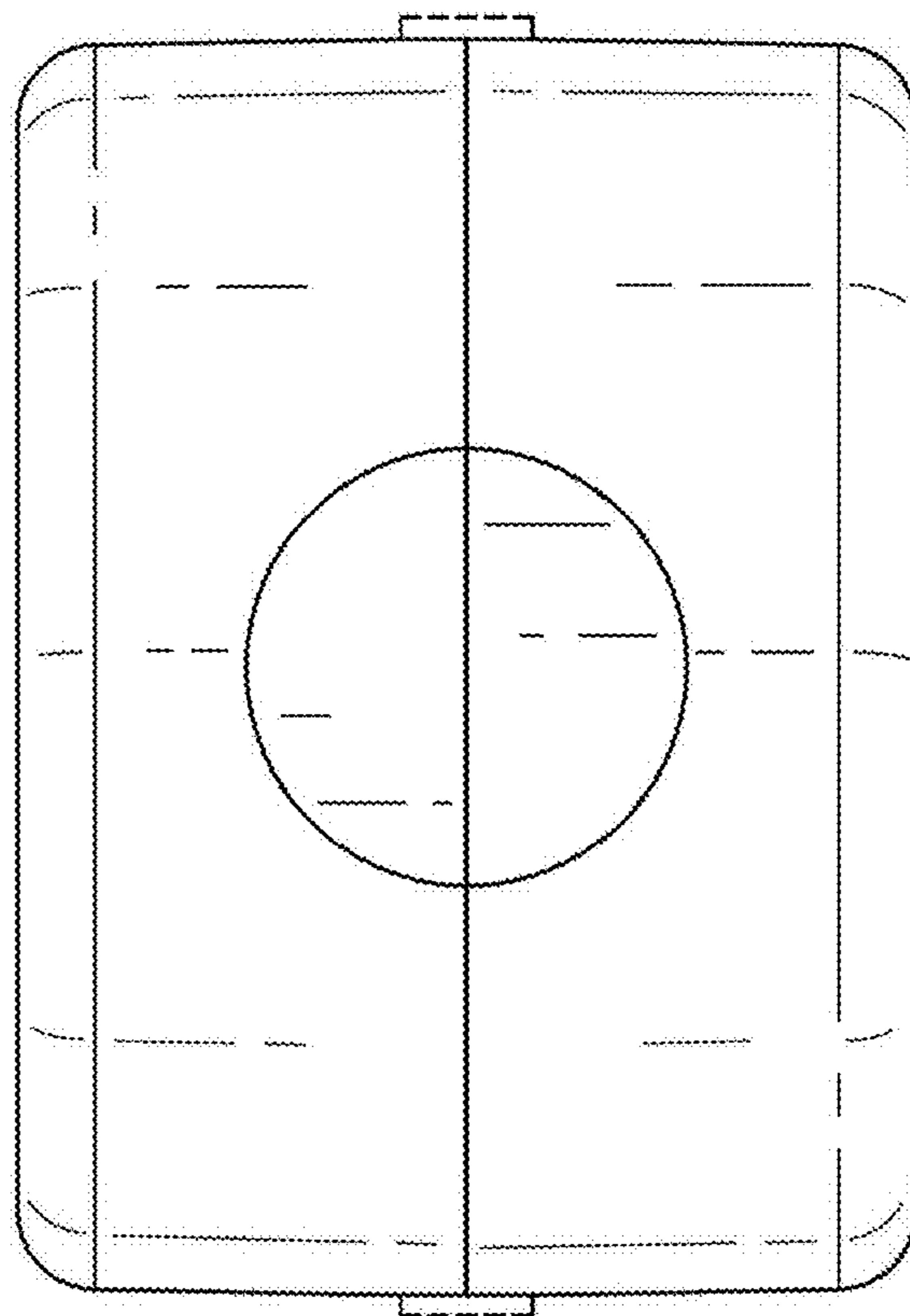


FIG. 12

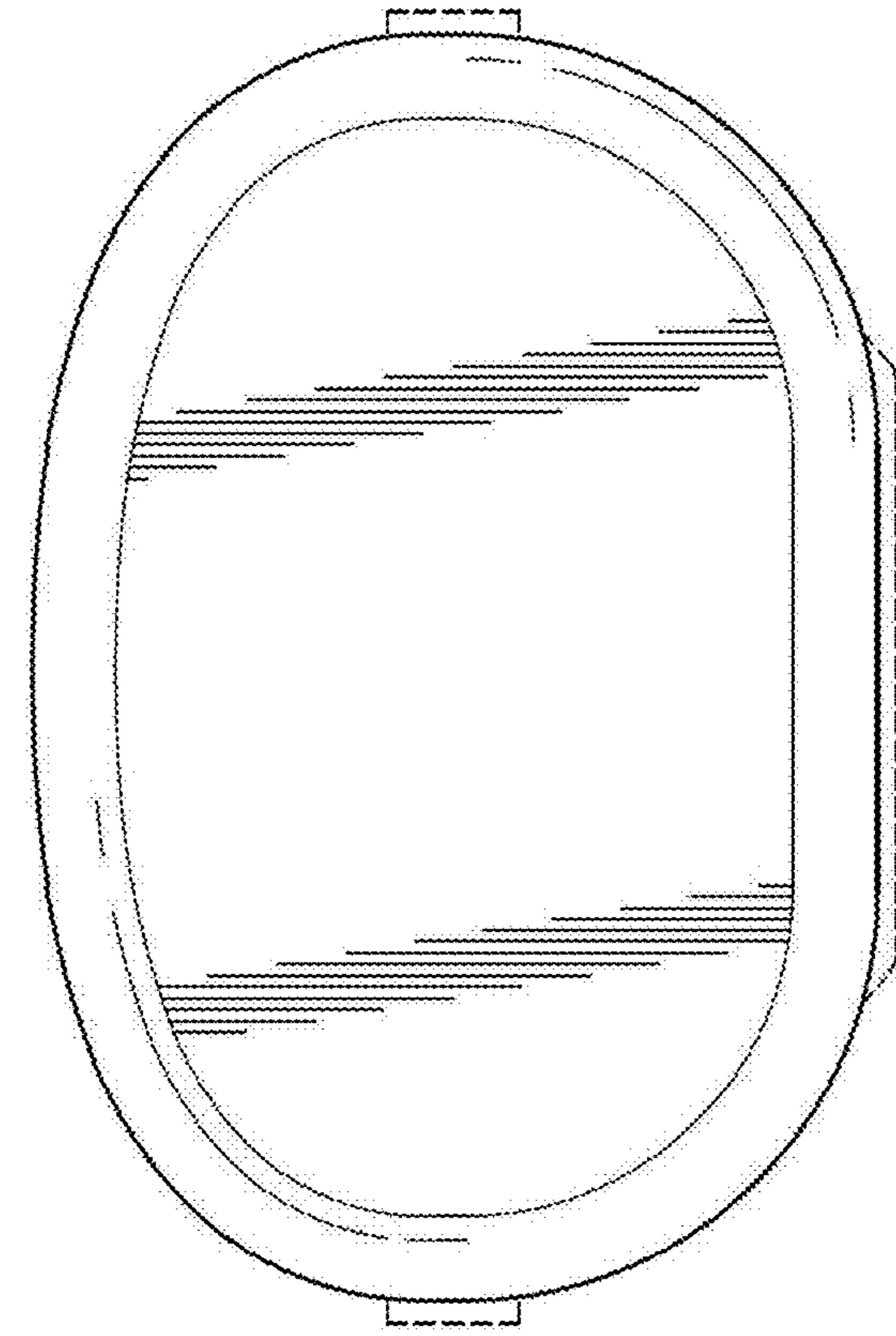


FIG. 14

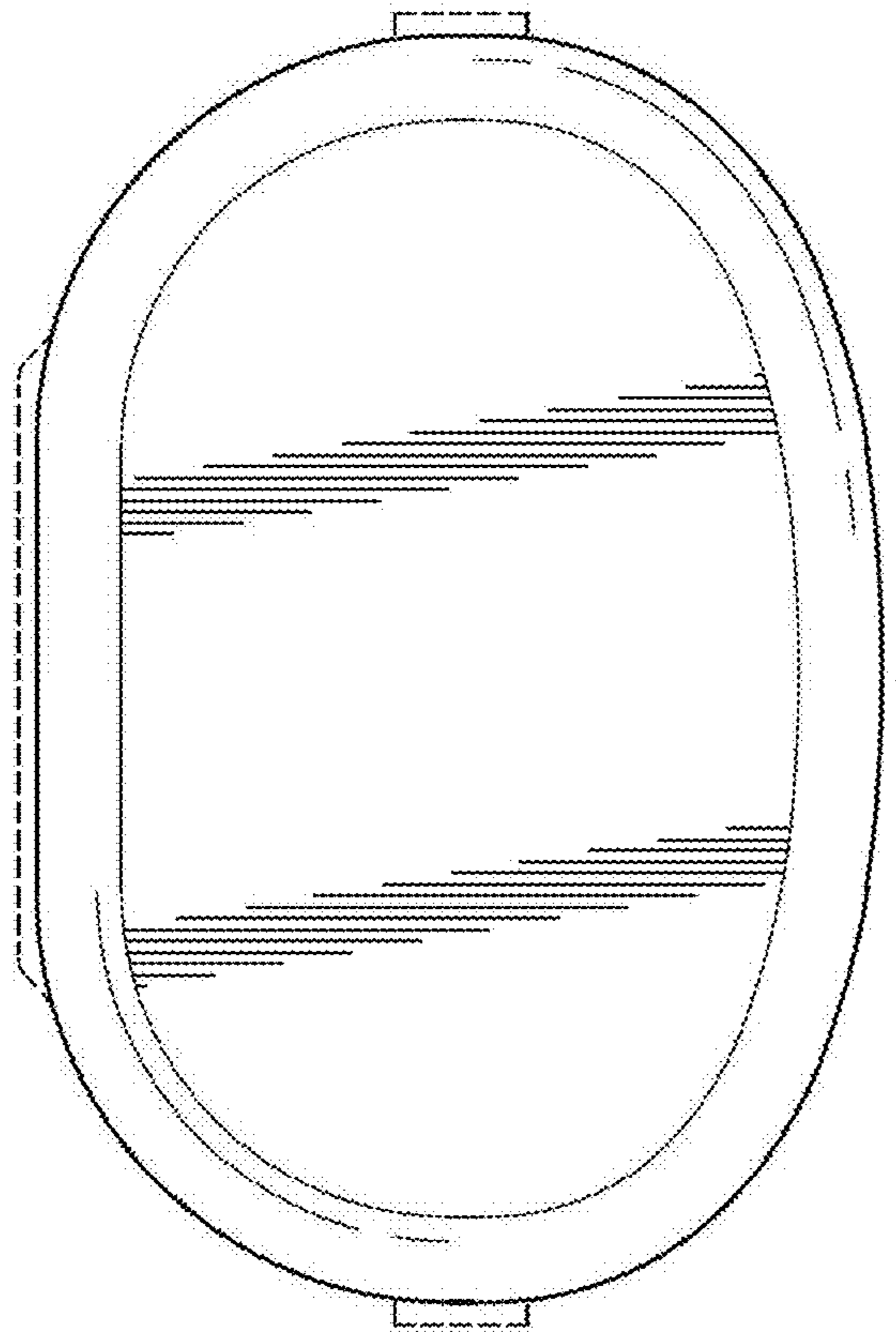


FIG. 13

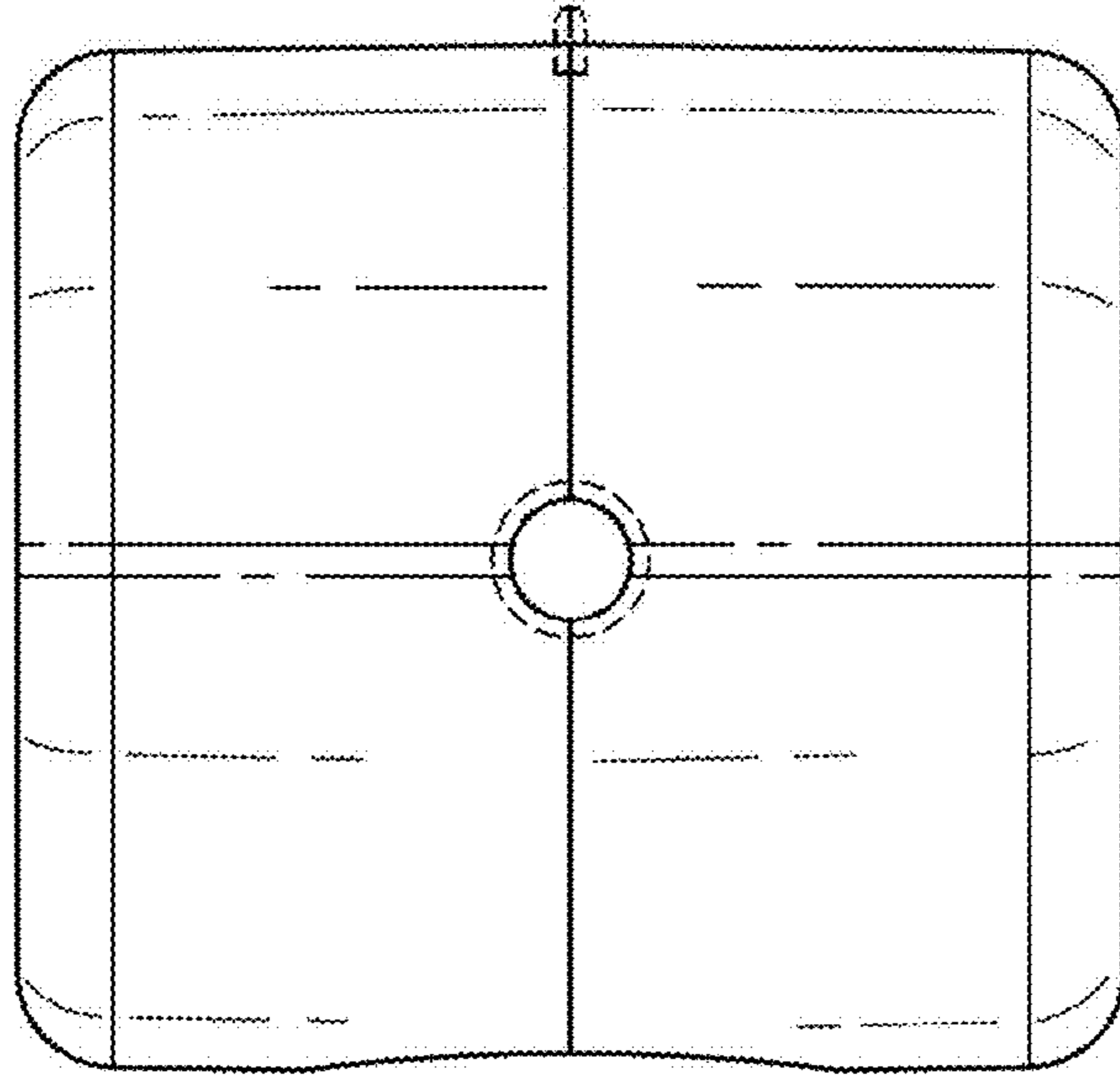


FIG. 15

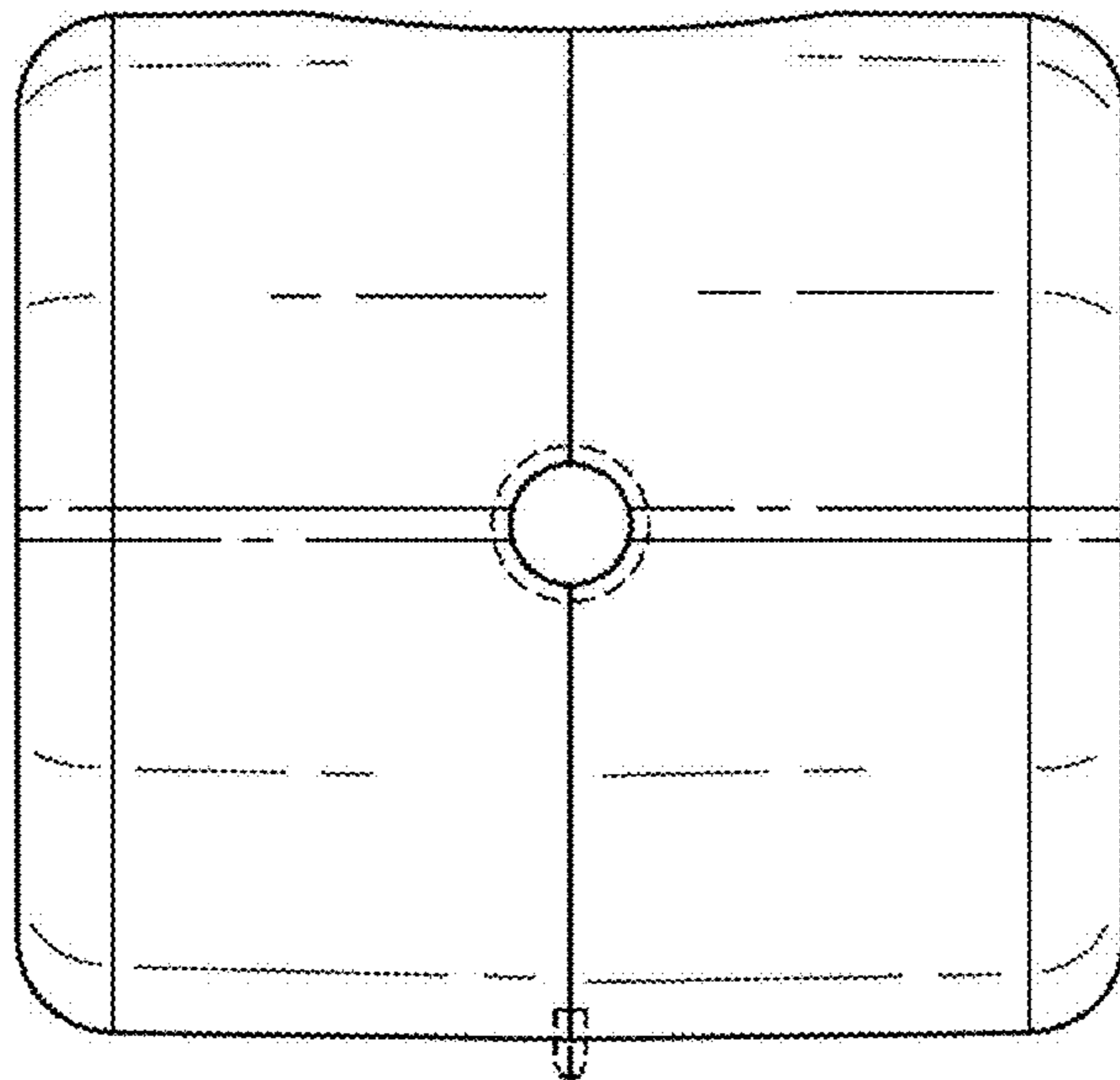


FIG. 16