



US00D816278S

(12) **United States Design Patent**
Keil et al.

(10) **Patent No.:** **US D816,278 S**
(45) **Date of Patent:** **** Apr. 24, 2018**

(54) **COLLAPSIBLE DOG BOWL**

- (71) Applicant: **Truck Shields, LLC**, Salt Lake City, UT (US)
- (72) Inventors: **Ryan Jarred Keil**, Layton, UT (US); **Adam Van Wagenen**, West Jordan, UT (US)
- (73) Assignee: **Truck Shields, LLC**, Salt Lake City, UT (US)
- (**) Term: **15 Years**
- (21) Appl. No.: **29/544,084**
- (22) Filed: **Oct. 30, 2015**
- (51) **LOC (11) Cl.** **30-03**
- (52) **U.S. Cl.**
USPC **D30/129**
- (58) **Field of Classification Search**
USPC D30/121, 122, 129-133; 119/61.5, 51.01, 119/61.56, 51.03, 59, 62, 63, 51.5, 57.8, 119/74, 61.54, 61.55; 312/204; 248/151, 248/188, 99; 108/156, 153.1-157; 220/23.87, 630, 737, 743, 9.4, 495.01, 220/574, 212, 255, 23.83, 9.2, 666, 654,
(Continued)

(56) **References Cited**

U.S. PATENT DOCUMENTS

- 131,303 A * 9/1872 Sabin B65D 29/00
220/904
- 216,227 A 6/1879 Sedgwick
(Continued)

Primary Examiner — Susan Moon Lee

(74) *Attorney, Agent, or Firm* — Austin Rapp

(57) **CLAIM**

The ornamental design for a collapsible dog bowl, as shown and described.

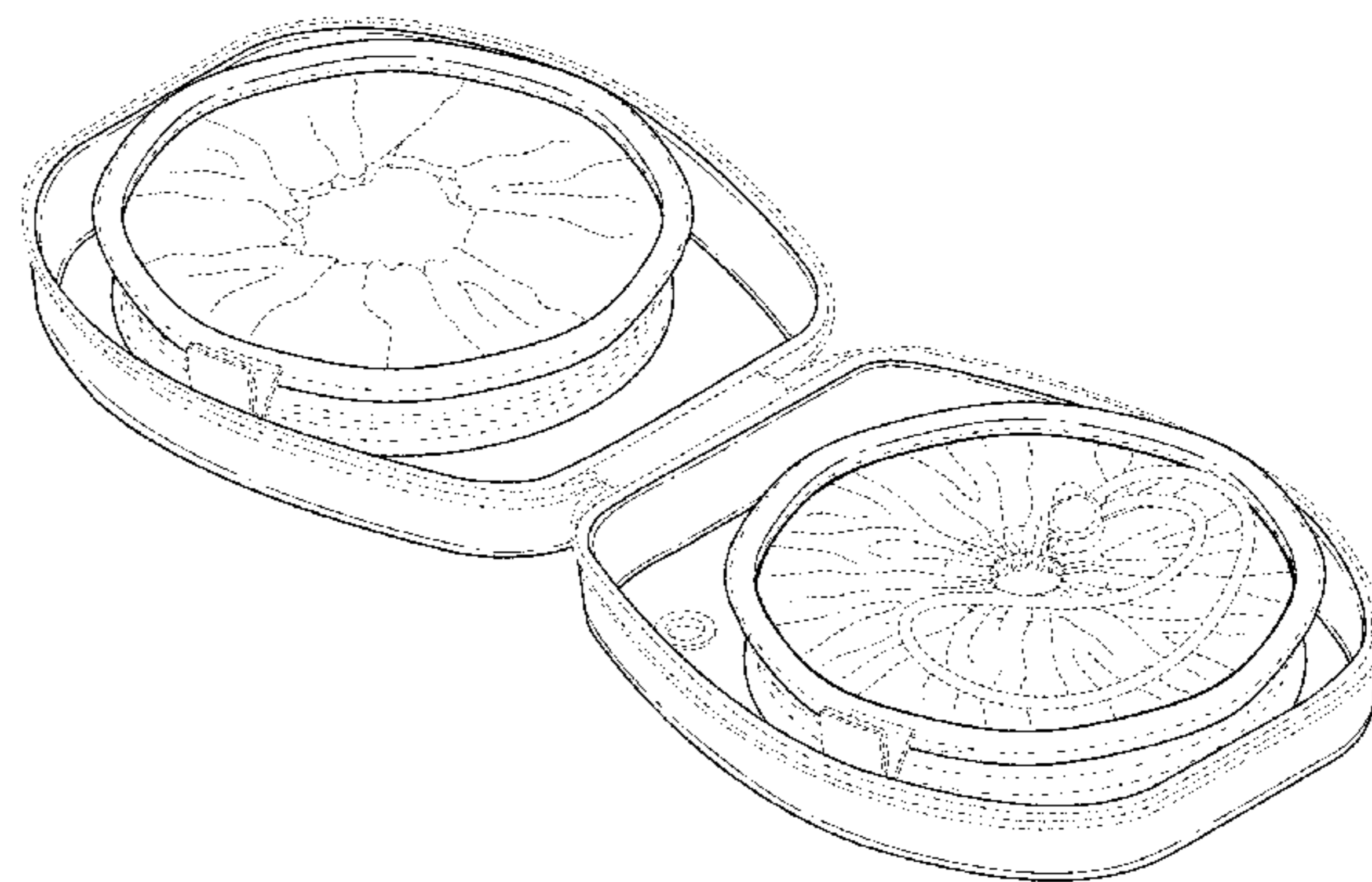
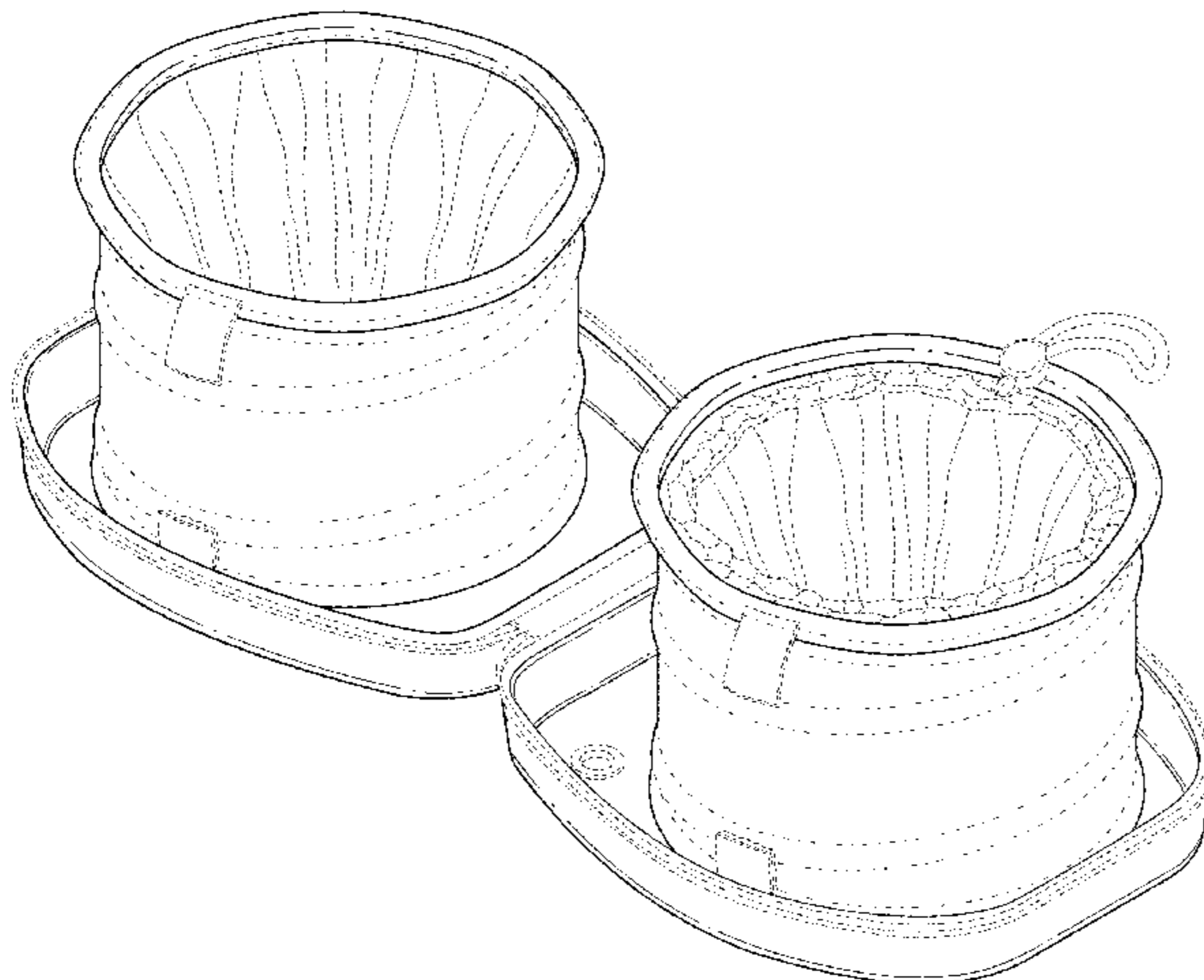
DESCRIPTION

FIG. 1 is an elevated perspective view of a collapsible dog bowl, according to our new design;
 FIG. 2 is a top view of the collapsible dog bowl shown in FIG. 1;
 FIG. 3 is a bottom view of the collapsible dog bowl shown in FIG. 1;
 FIG. 4 is a first side view of the collapsible dog bowl shown in FIG. 1;
 FIG. 5 is a second side view of the collapsible dog bowl shown in FIG. 1;
 FIG. 6 is a third side view of the collapsible dog bowl shown in FIG. 1;
 FIG. 7 is a fourth side view of the collapsible dog bowl shown in FIG. 1;
 FIG. 8 is an elevated perspective view of the collapsible dog bowl shown in FIG. 1 with the collapsible dog bowl in a first alternative position;
 FIG. 9 is an elevated perspective view of the collapsible dog bowl shown in FIG. 1 with the collapsible dog bowl in a second alternative position;
 FIG. 10 is an elevated perspective view of the collapsible dog bowl shown in FIG. 1 with the collapsible dog bowl in a third alternative position;
 FIG. 11 is an elevated perspective view of the collapsible dog bowl shown in FIG. 1 with the collapsible dog bowl in an optional fourth alternative position; and,
 FIG. 12 is a lower perspective view of the collapsible dog bowl shown in FIG. 1 with the collapsible dog bowl in an optional fifth alternative position.

The dot-dash broken lines represent unclaimed stitching, while the dash-dash broken lines represent other unclaimed features or portions of the design.

For simplicity and clarity, all parts of the zipper, including the teeth, slider, pull tab, and tape (the fabric portion of the zipper), are identified as unclaimed by dot-dot-dash broken lines.

1 Claim, 12 Drawing Sheets



(56)

References Cited

U.S. PATENT DOCUMENTS

6,851,136	B2 *	2/2005	Brereton	A47D 9/005	9,616,465	B1 *	4/2017	Strawn	B07B 1/02
					135/126	D790,851	S *	7/2017	Domingo	D3/232
6,990,765	B1 *	1/2006	Beech	A01K 97/05	D798,590	S *	10/2017	Heyman	D3/244
					43/55	2001/0007934	A1 *	7/2001	Smith	A47K 11/045
7,032,258	B2 *	4/2006	O'Hanlon	E04H 4/0012						604/346
					4/487	2002/0030052	A1 *	3/2002	Joo-Tai	A45C 7/0077
7,080,750	B2	7/2006	Wein et al.								220/9.2
7,082,883	B1 *	8/2006	Arias	A47C 7/66	2003/0015527	A1 *	1/2003	Schneider	A45C 7/0077
					108/90						220/9.2
D527,525	S *	9/2006	Izumoto	D3/303	2003/0015528	A1 *	1/2003	Schneider	A45C 7/0077
D555,854	S *	11/2007	Kamiya	D32/37						220/9.2
7,308,989	B2 *	12/2007	Zheng	E04H 4/0025	2003/0022761	A1 *	1/2003	Brereton	A63B 9/00
					220/565						482/35
7,314,553	B1 *	1/2008	Barbe	B01D 29/27	2003/0106895	A1 *	6/2003	Kalal	B65D 21/086
					134/110						220/9.2
D571,057	S *	6/2008	LeCoq	D30/129	2003/0183629	A1 *	10/2003	Wang	A42B 1/006
D571,102	S *	6/2008	Gostt	D3/244						220/9.2
D577,851	S *	9/2008	Yurich	D26/119	2004/0112908	A1 *	6/2004	Tillmann	A47D 13/02
D589,141	S *	3/2009	McClellan	D24/121						220/666
D604,501	S *	11/2009	Lee	D3/201	2004/0155038	A1 *	8/2004	Smith	B65D 33/02
D605,817	S *	12/2009	LeCoq	D30/129						220/9.2
7,699,186	B2 *	4/2010	Zheng	E04H 15/405	2005/0103951	A1 *	5/2005	Metcalf	B65B 67/1238
					135/126						248/99
7,815,069	B1 *	10/2010	Bellofatto	B65D 81/3886	2005/0249439	A1 *	11/2005	Penson	D06F 95/004
					190/903						383/38
D627,161	S *	11/2010	Tilby	D3/262	2005/0284866	A1 *	12/2005	Oakner	B65F 1/02
7,854,688	B2 *	12/2010	Zheng	A63B 9/00						220/9.2
					190/107	2006/0090811	A1 *	5/2006	Folk	B65D 1/0292
7,988,681	B2 *	8/2011	McGarity	A61J 19/00						141/86
					220/9.1	2007/0236922	A1 *	10/2007	Sheehan	A63H 37/005
D650,635	S *	12/2011	Luo	D7/587						362/162
8,109,234	B1	2/2012	LeCoq			2007/0253648	A1 *	11/2007	Austin	B65F 1/004
D670,079	S *	11/2012	Menon	D3/290						383/104
D679,956	S *	4/2013	Zemel	D7/601	2007/0257034	A1 *	11/2007	Sabounjian	B65D 21/086
8,511,895	B2 *	8/2013	Burchfield	B65F 1/0006						220/9.2
					248/99	2008/0056625	A1 *	3/2008	Stanton	B65F 1/0006
8,641,004	B2 *	2/2014	Miklas	B60N 3/102						383/104
					224/250	2008/0101731	A1 *	5/2008	Carlson	E01H 1/1206
D702,041	S *	4/2014	Wu	D3/216						383/41
8,739,740	B2 *	6/2014	Goldy	A01K 27/004	2008/0310767	A1 *	12/2008	Engel	A61J 19/00
					119/796						383/33
D709,285	S *	7/2014	Meillan	D3/233	2010/0183773	A1 *	7/2010	Malone	B65D 21/086
D715,549	S *	10/2014	Moreau	D3/303						426/107
8,960,125	B1 *	2/2015	Brown	A01K 7/00	2010/0320203	A1 *	12/2010	Moodie	B65D 88/18
					119/72						220/9.3
D730,505	S *	5/2015	Cao	D23/355	2012/0168436	A1 *	7/2012	Wang	B65D 21/086
9,380,762	B1 *	7/2016	Galea	A01K 5/0114						220/9.2
D767,986	S *	10/2016	Epstein	D3/289	2013/0075393	A1 *	3/2013	Haynie	B65D 37/00
D773,126	S *	11/2016	Scaba	D30/129						220/6
9,512,558	B1 *	12/2016	Eckerman	D06F 95/002	2015/0053687	A1 *	2/2015	Greenspon	B65D 21/086
D780,136	S *	2/2017	Chudoba	D13/184						220/490
9,565,839	B2 *	2/2017	Lipscomb	A01K 63/003	2016/0249584	A1 *	9/2016	Yibao	A01K 5/00
											119/61.5

* cited by examiner

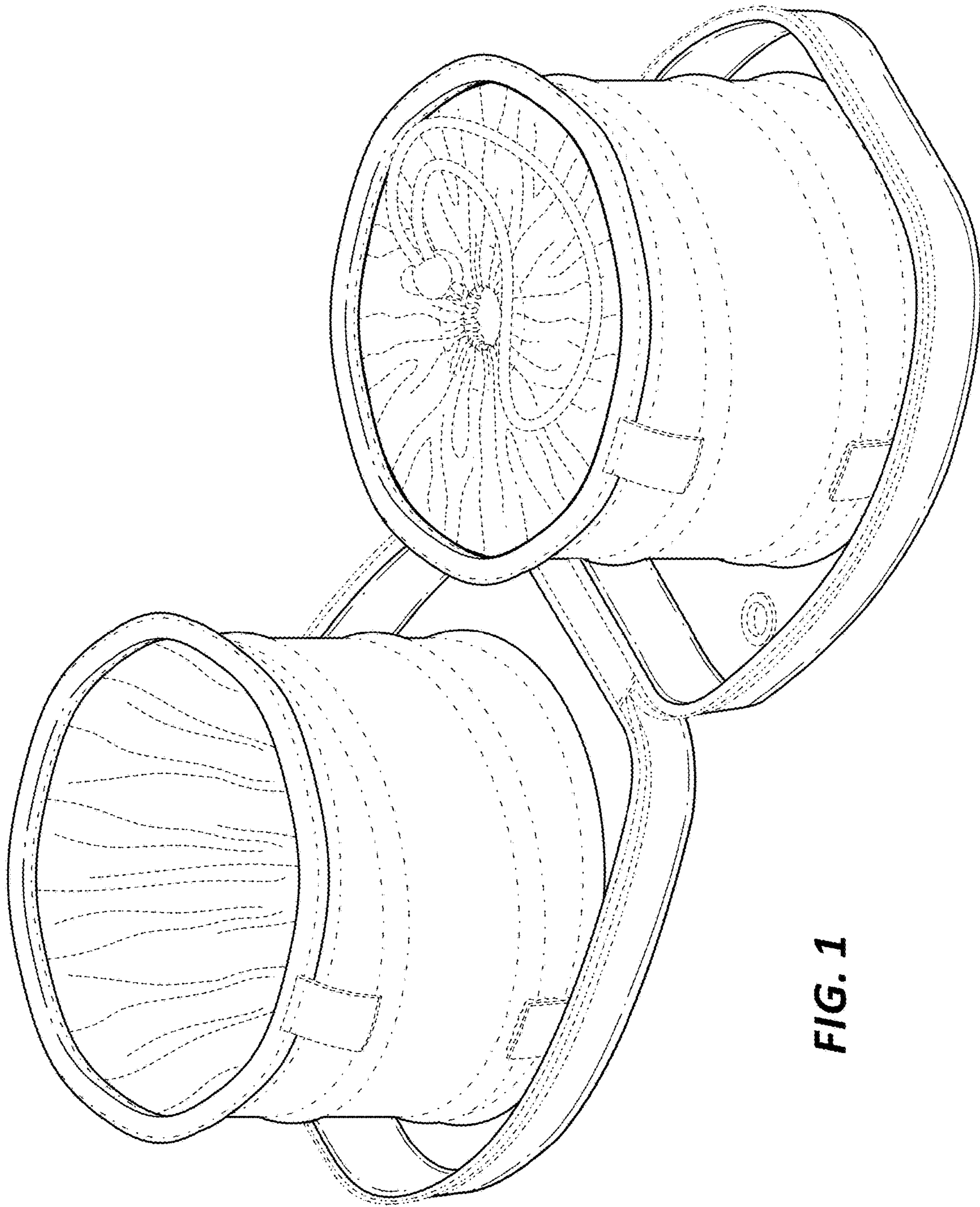


FIG. 1

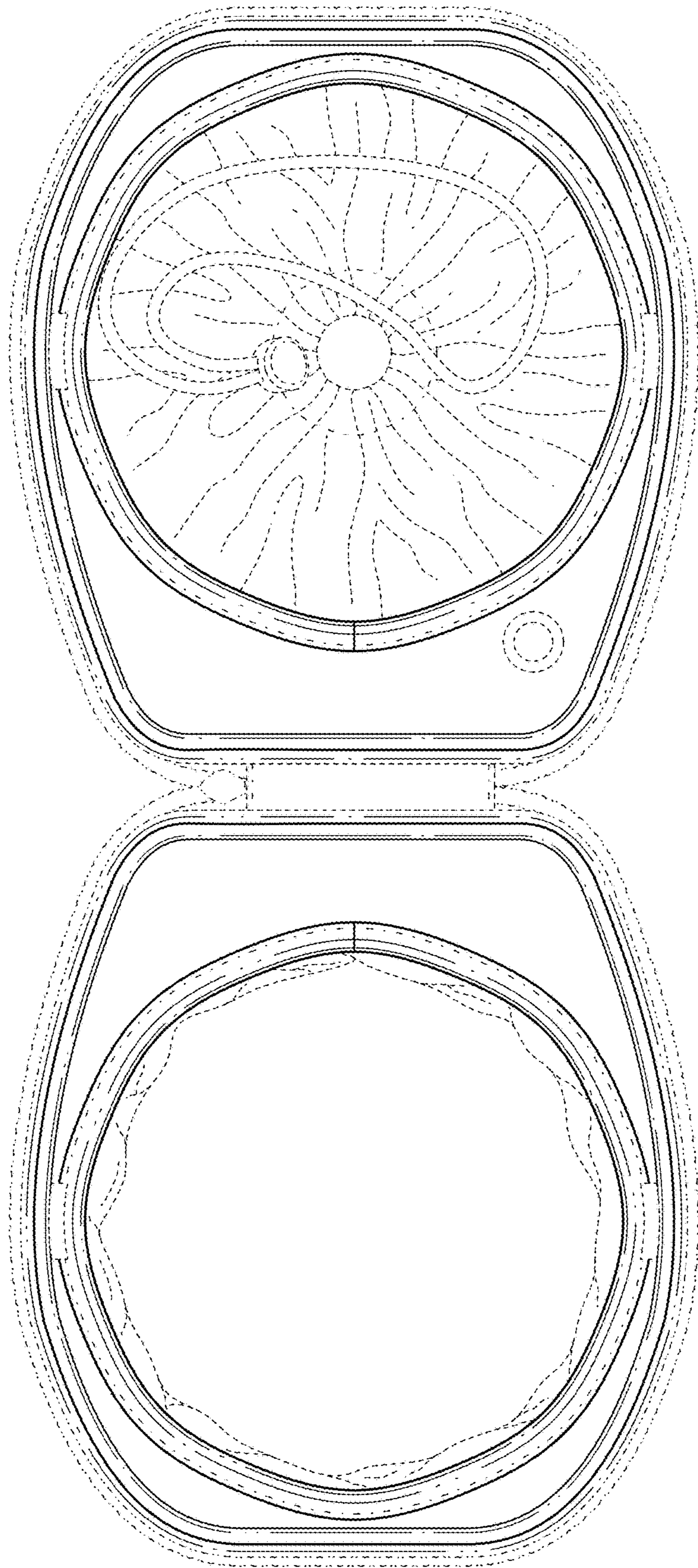


FIG. 2

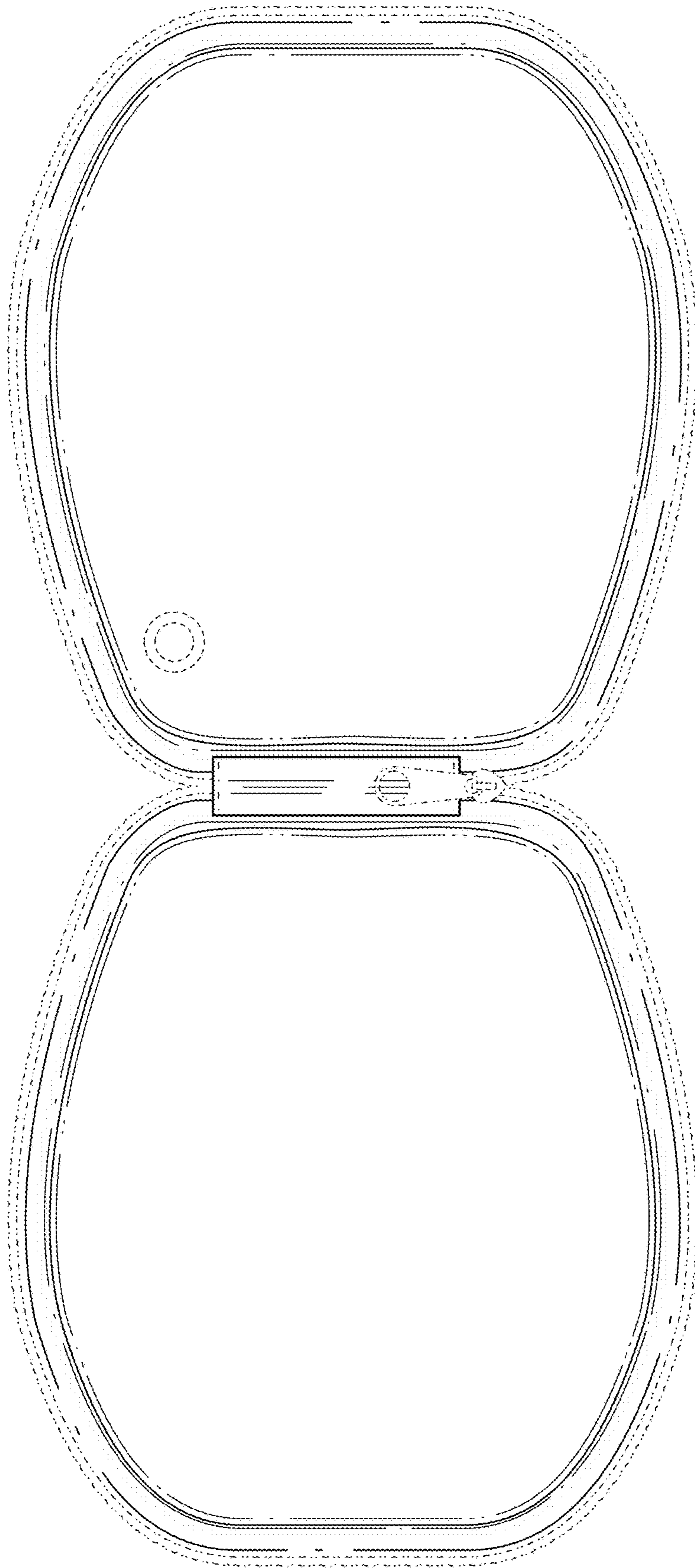


FIG. 3

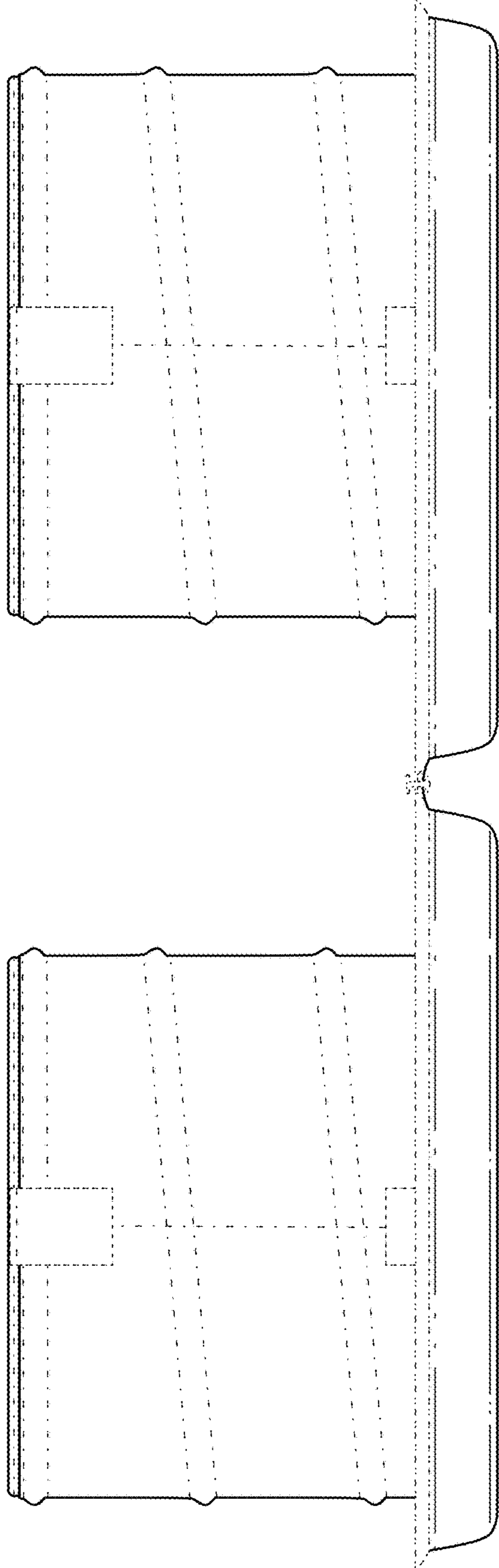


FIG. 4

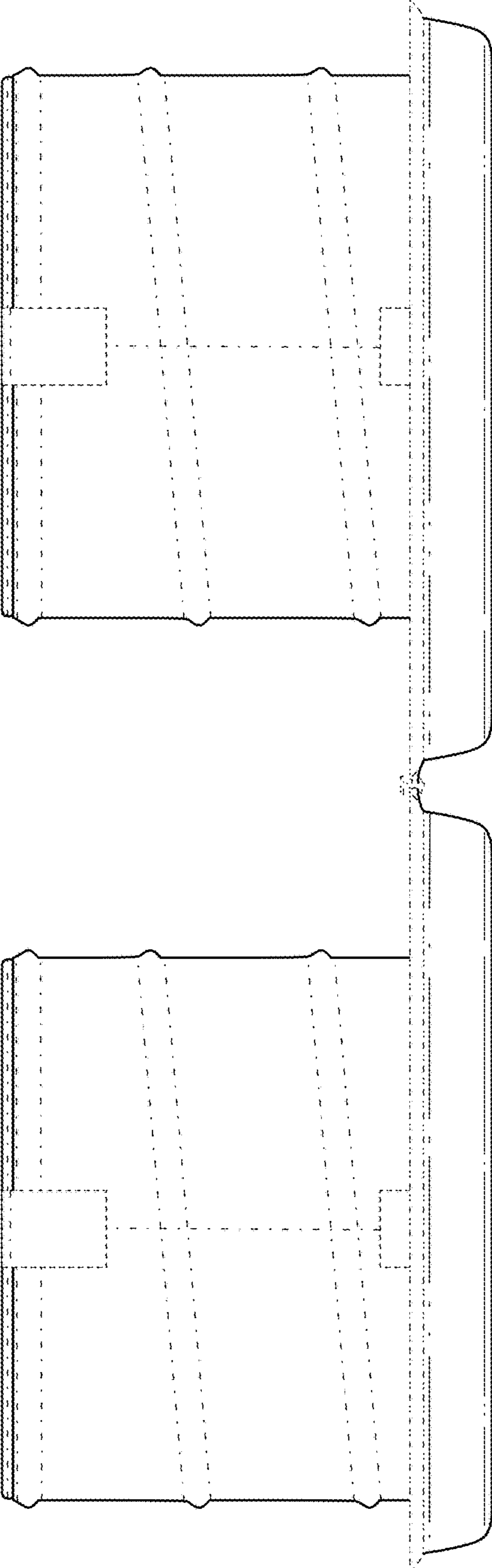


FIG. 5

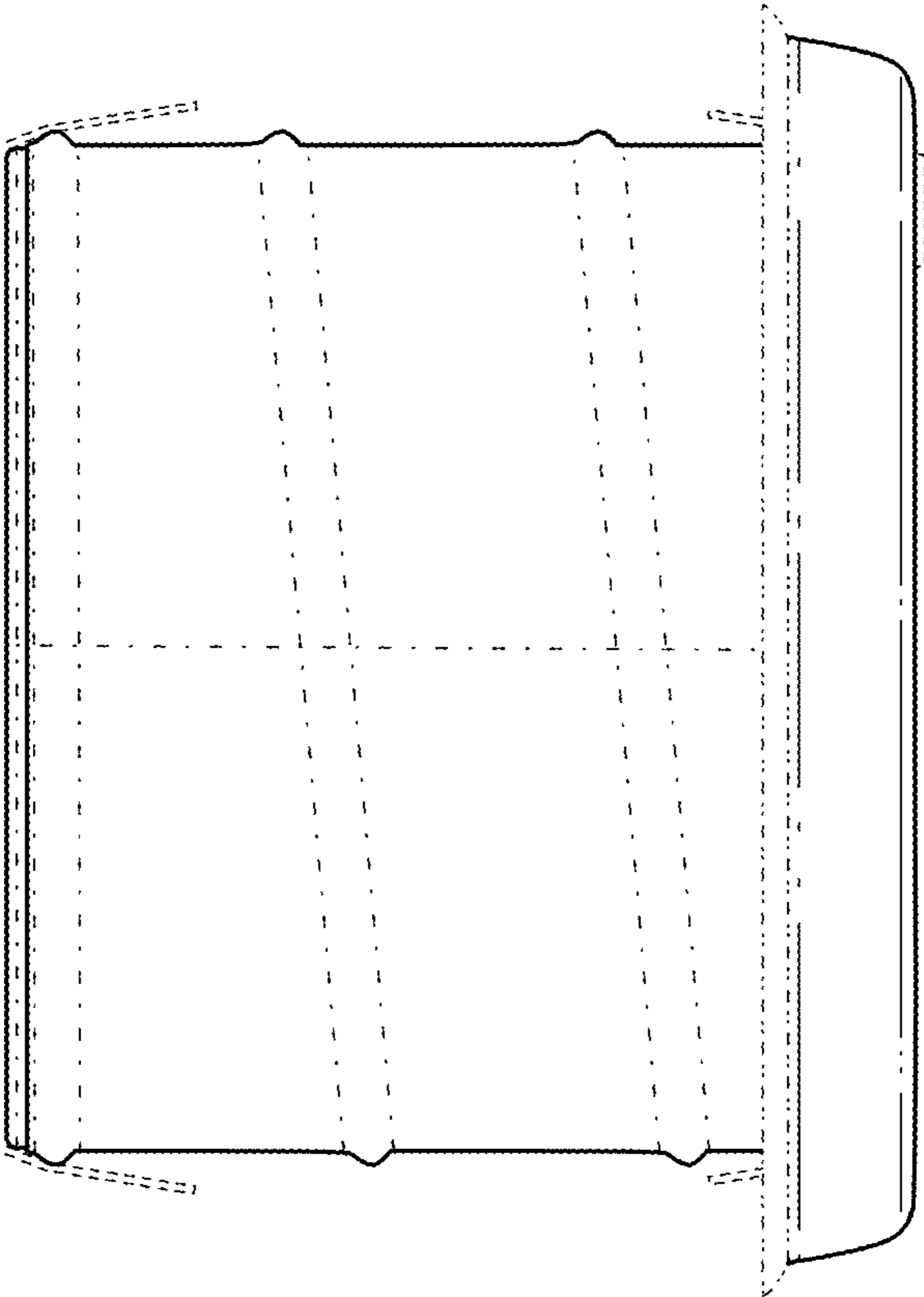


FIG. 6

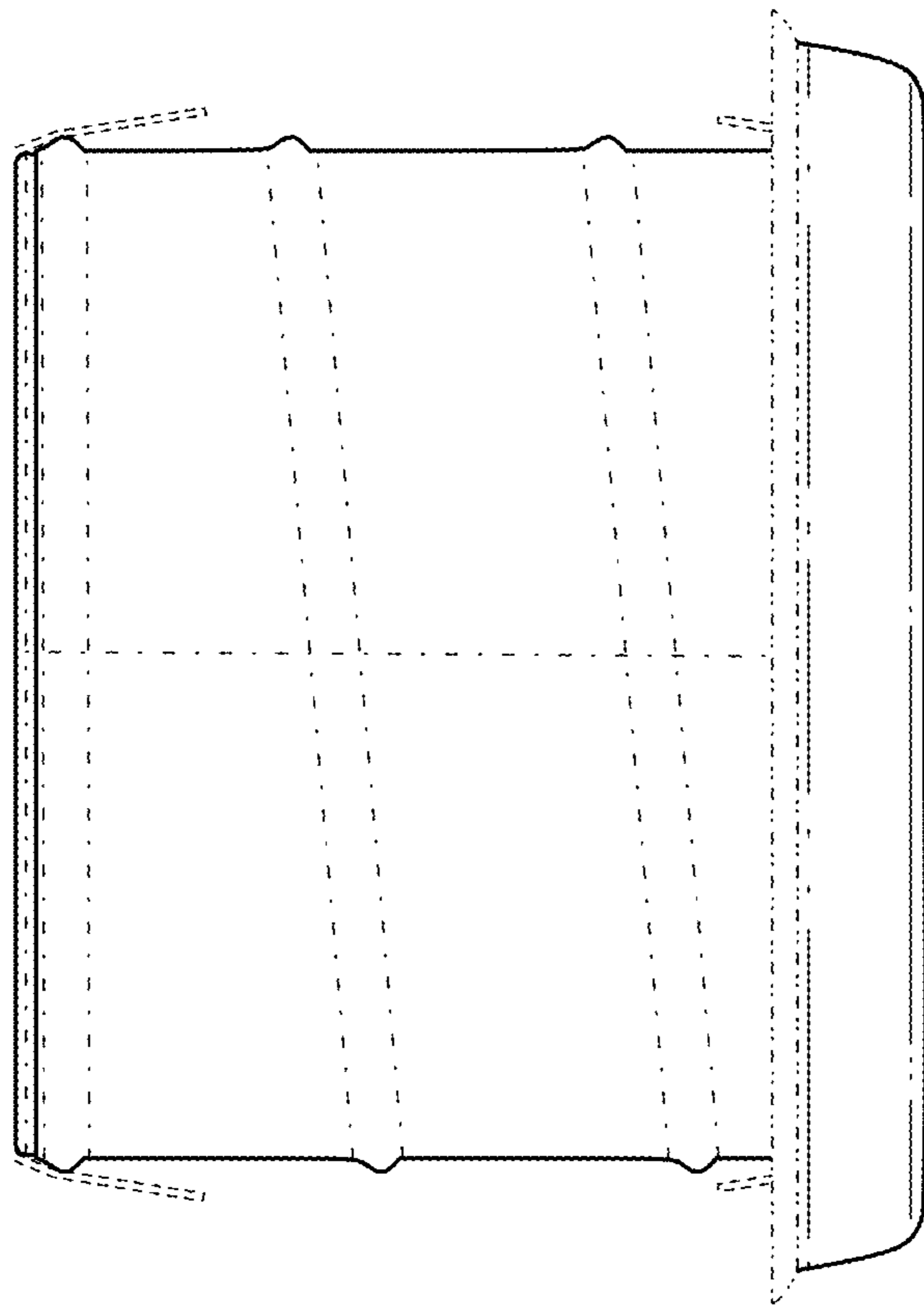


FIG. 7

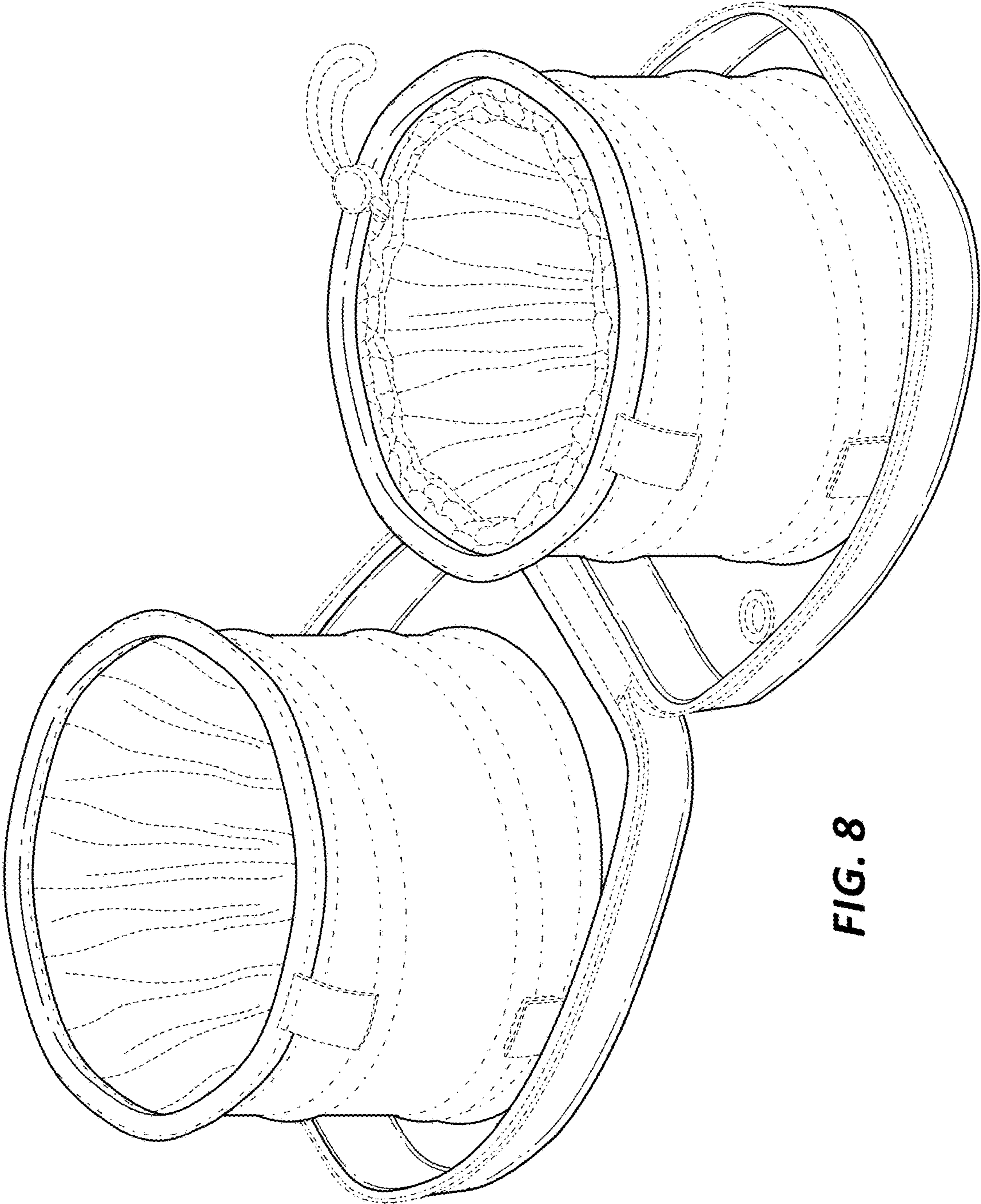


FIG. 8

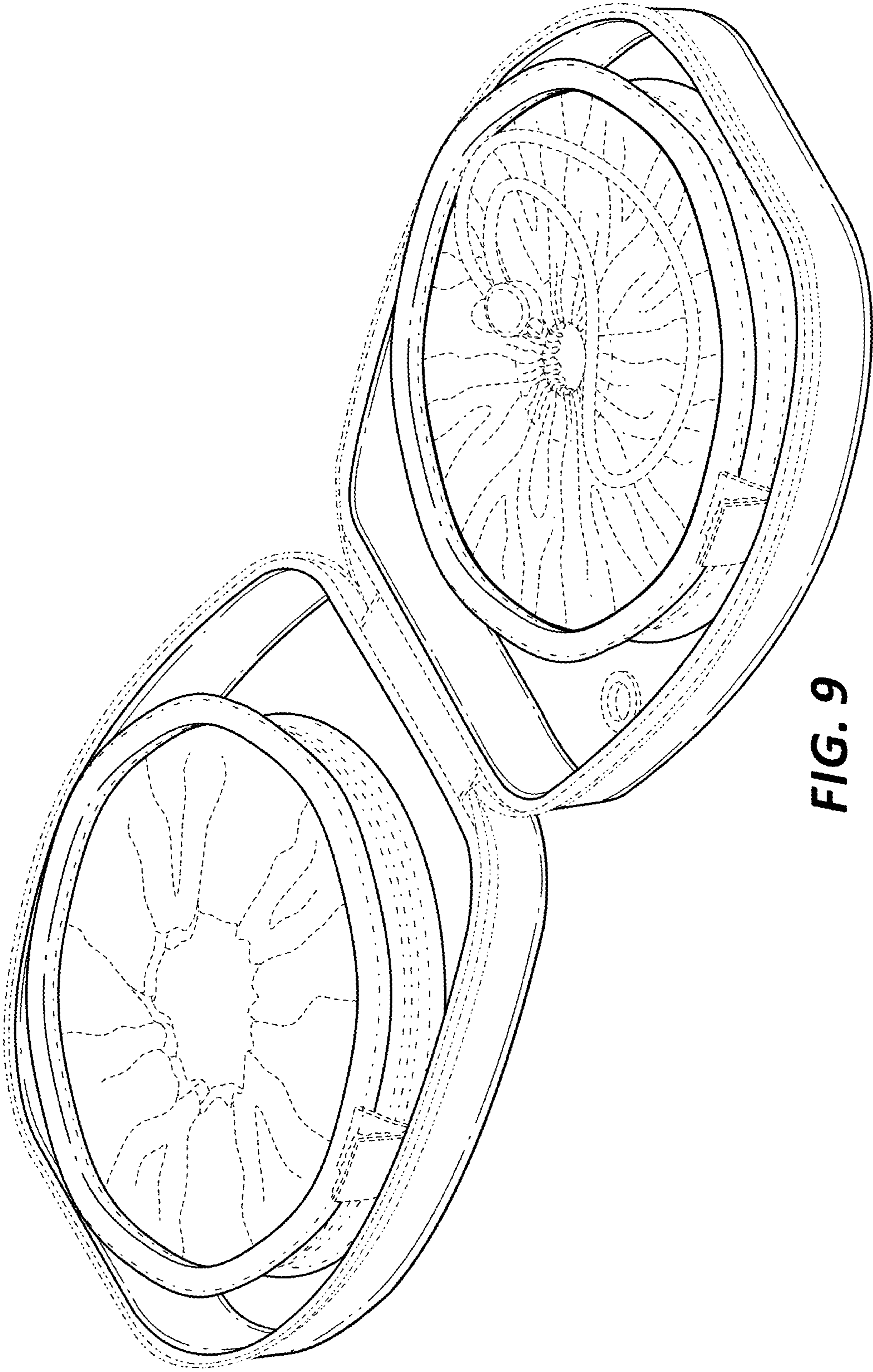


FIG. 9

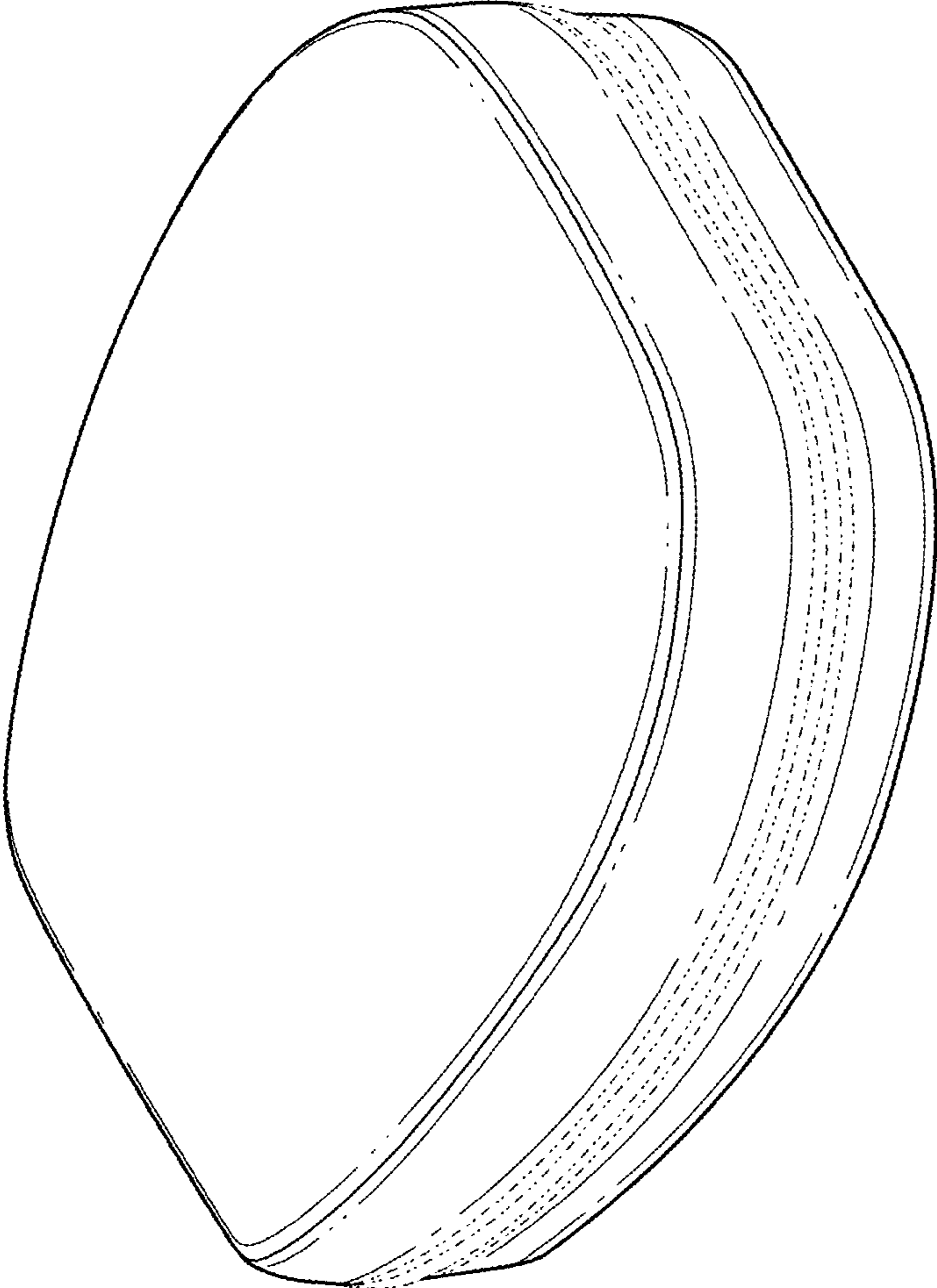


FIG. 10

FIG. 11

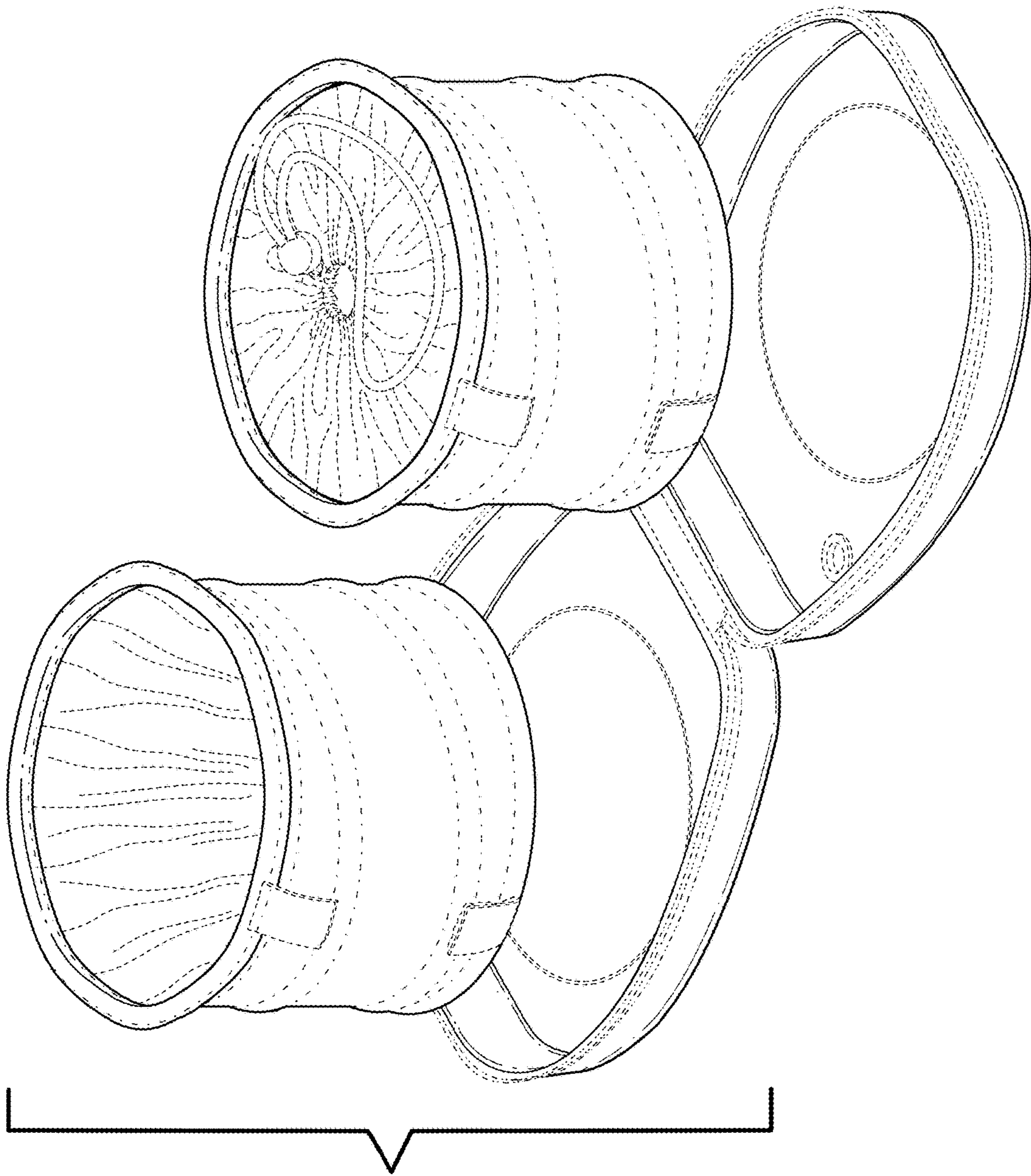


FIG. 12

