



US00D816276S

(12) **United States Design Patent** (10) **Patent No.:** **US D816,276 S**
Bryson (45) **Date of Patent:** **** Apr. 24, 2018**

(54) **STRAPLESS ROPING SHIN GUARD**

5,896,590 A * 4/1999 Fleisch A42B 3/322
2/410
6,507,955 B1 * 1/2003 Fee A41D 13/0568
2/24
8,961,733 B2 * 2/2015 Dodd A41D 13/0153
156/290
D782,119 S * 3/2017 Dupree D29/120.1

(71) Applicant: **GLOBAL RESOURCES INTERNATIONAL, INC.**, Flowery Branch, GA (US)

(72) Inventor: **Tanner Eldon Bryson**, Camp Verde, AZ (US)

(73) Assignee: **GLOBAL RESOURCES INTERNATIONAL, INC.**, Flowery Branch, GA (US)

(**) Term: **15 Years**

(21) Appl. No.: **29/596,714**

(22) Filed: **Mar. 10, 2017**

(51) **LOC (11) Cl.** **29-02**

(52) **U.S. Cl.**
USPC **D29/120.1**

(58) **Field of Classification Search**
USPC D29/101.1, 101.3, 101.4, 101.5, 100,
D29/120.1, 121.1; 428/51, 131, 196;
D5/47, 54, 55, 56, 57; D6/582; D32/40;
442/327, 394; 451/523, 533, 537, 539;
D8/90
CPC A41D 13/015; A41D 13/0543; A63B
71/1225

See application file for complete search history.

(56) **References Cited**

U.S. PATENT DOCUMENTS

5,784,715 A * 7/1998 Buchanan A63B 71/1225
2/22
5,794,261 A * 8/1998 Hefling A41D 13/065
2/16

* cited by examiner

Primary Examiner — Randall H Gholson
(74) *Attorney, Agent, or Firm* — Withers & Keys, LLC

(57) **CLAIM**

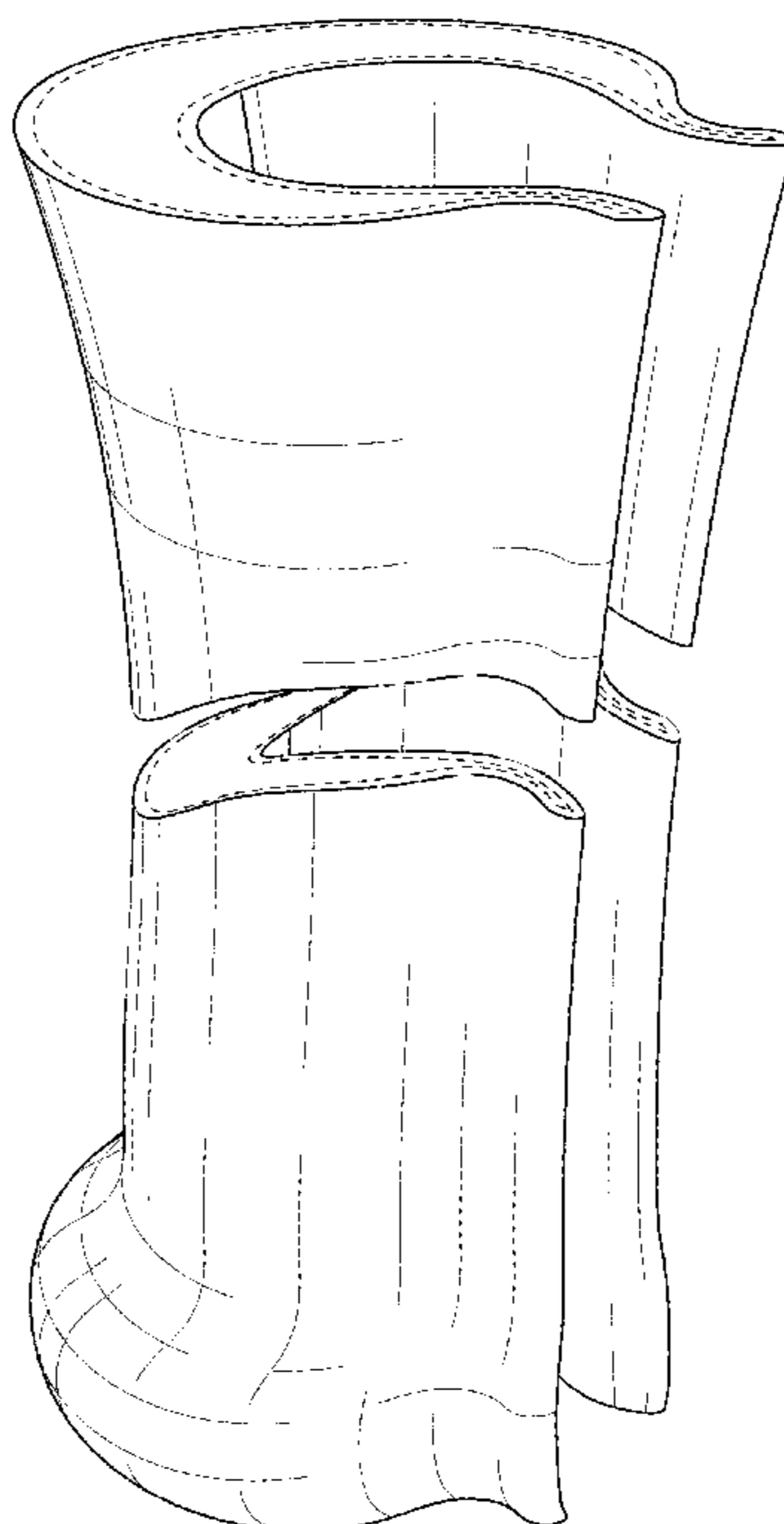
The ornamental design for a strapless roping shin guard, as shown and described.

DESCRIPTION

FIG. 1 is a perspective view of a strapless roping shin guard showing my new design;
FIG. 2 is a right-side view of the strapless roping shin guard shown in FIG. 1;
FIG. 3 is a left-side view of the strapless roping shin guard shown in FIG. 1;
FIG. 4 is a frontal view of the strapless roping shin guard shown in FIG. 1;
FIG. 5 is a rear view of the strapless roping shin guard shown in FIG. 1;
FIG. 6 is a top view of the strapless roping shin guard shown in FIG. 1; and,
FIG. 7 is a bottom view of the strapless roping shin guard shown in FIG. 1.

The dashed broken lines shown in the drawings illustrate portions of the strapless roping shin guard that forms no part of the claimed design.

1 Claim, 7 Drawing Sheets



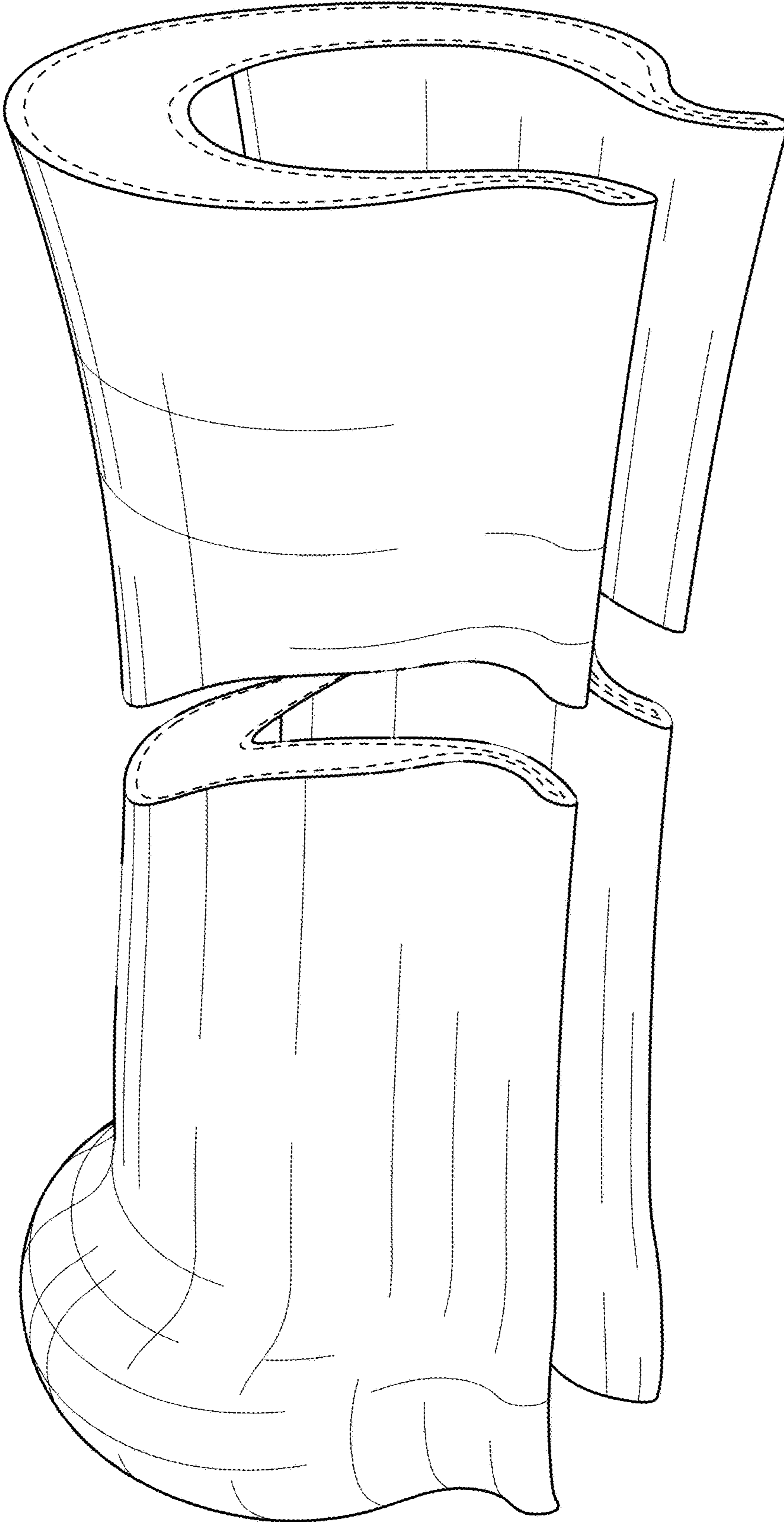


FIG. 1

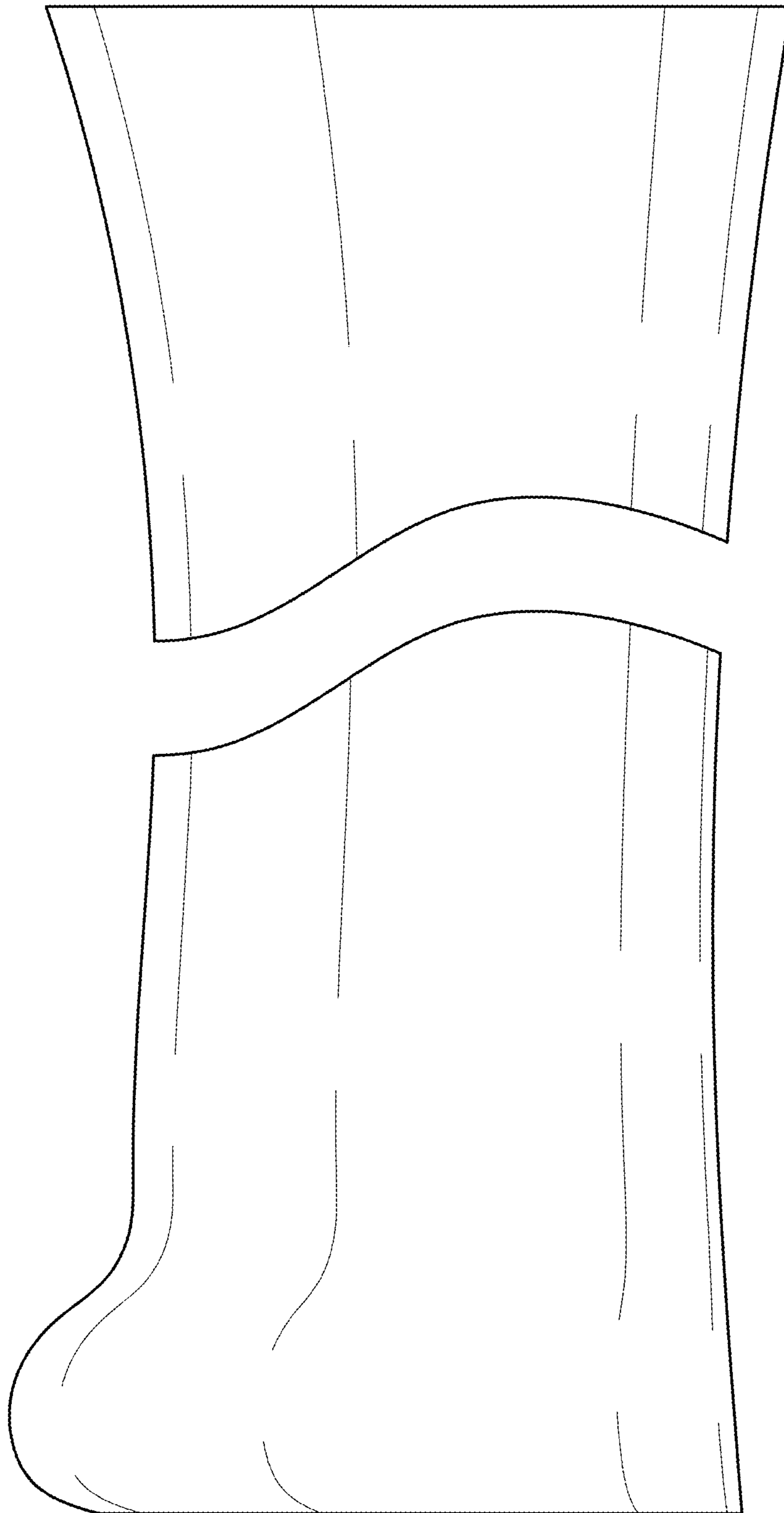


FIG. 2

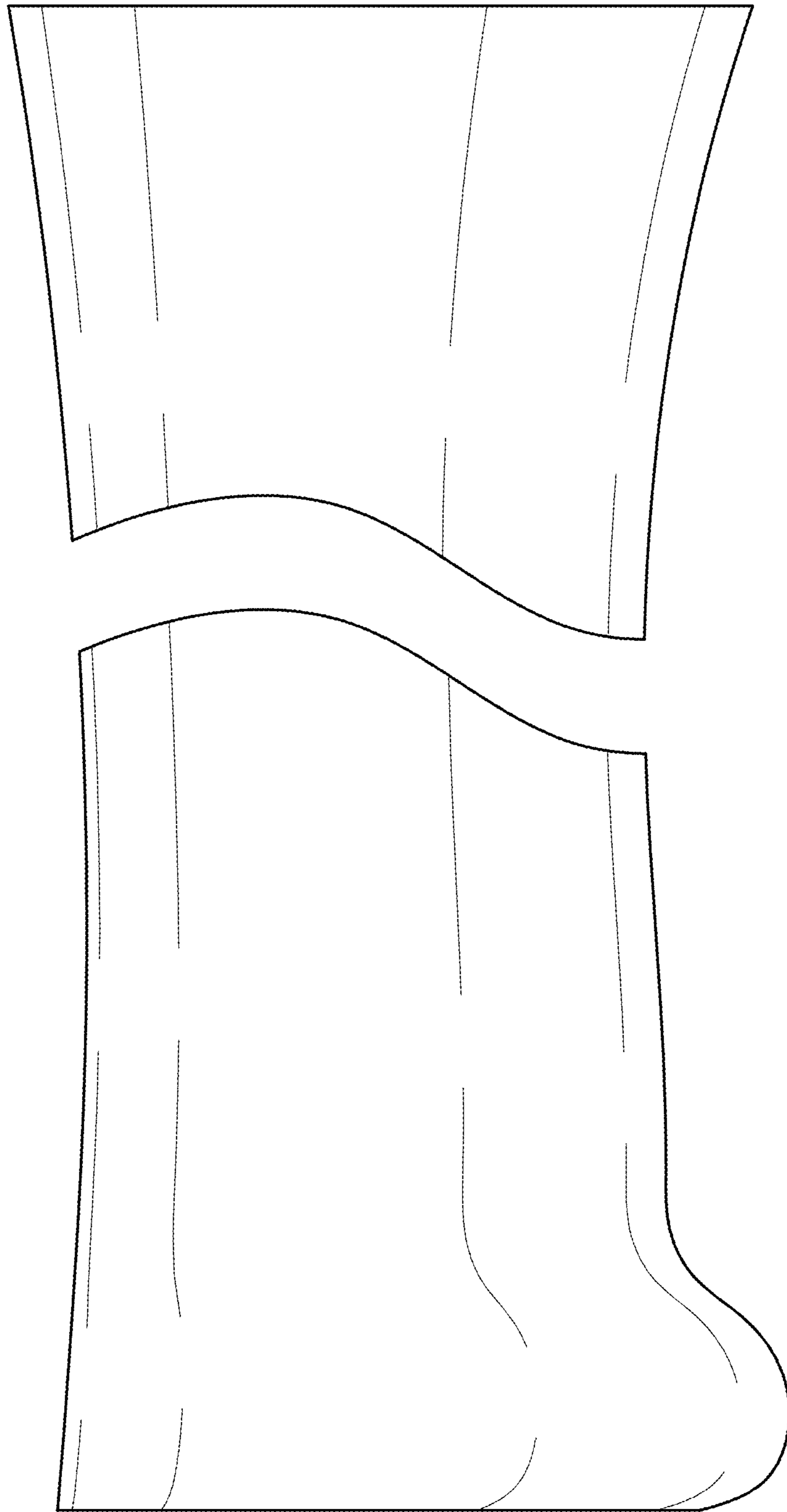


FIG. 3

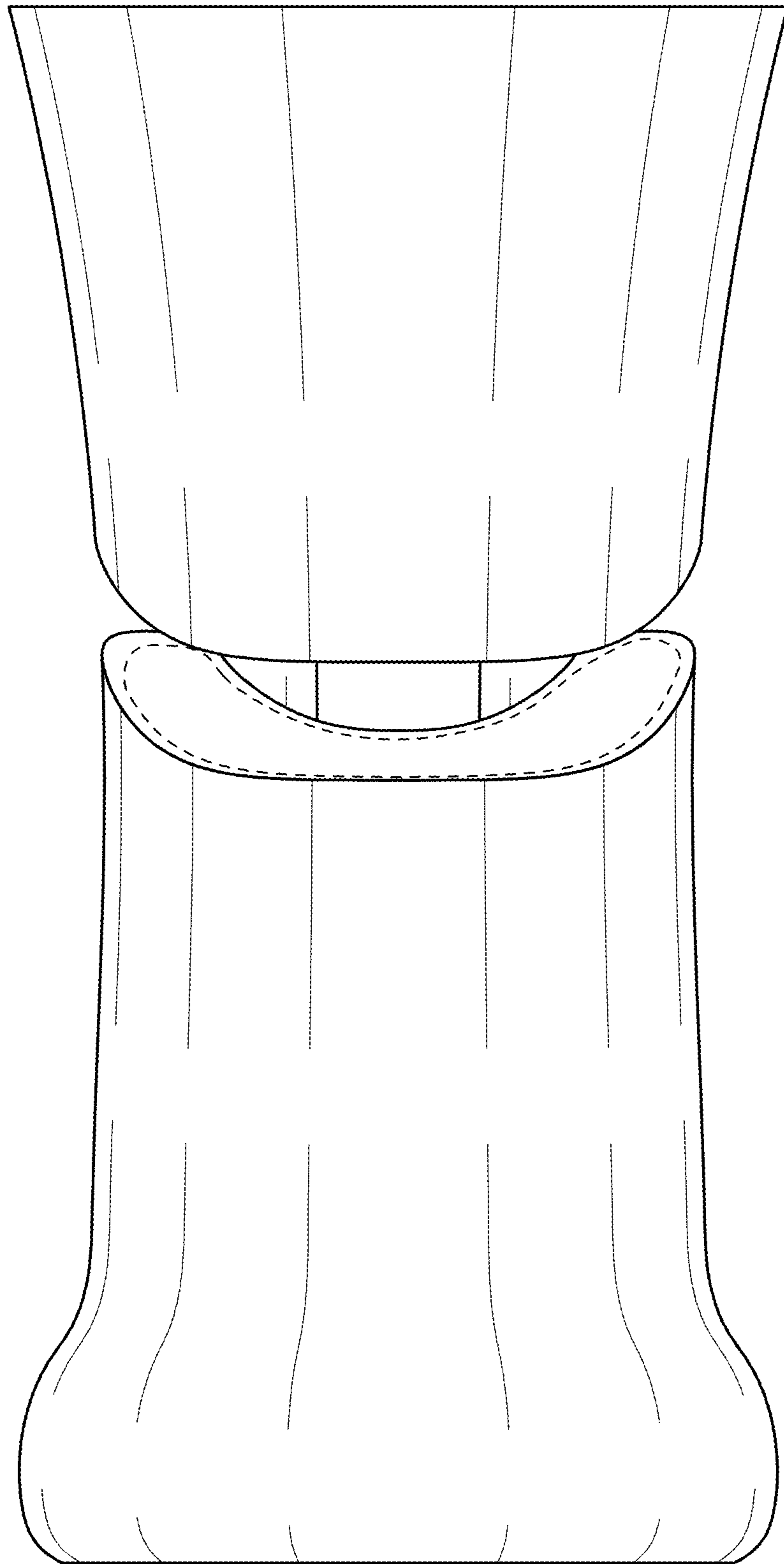


FIG. 4

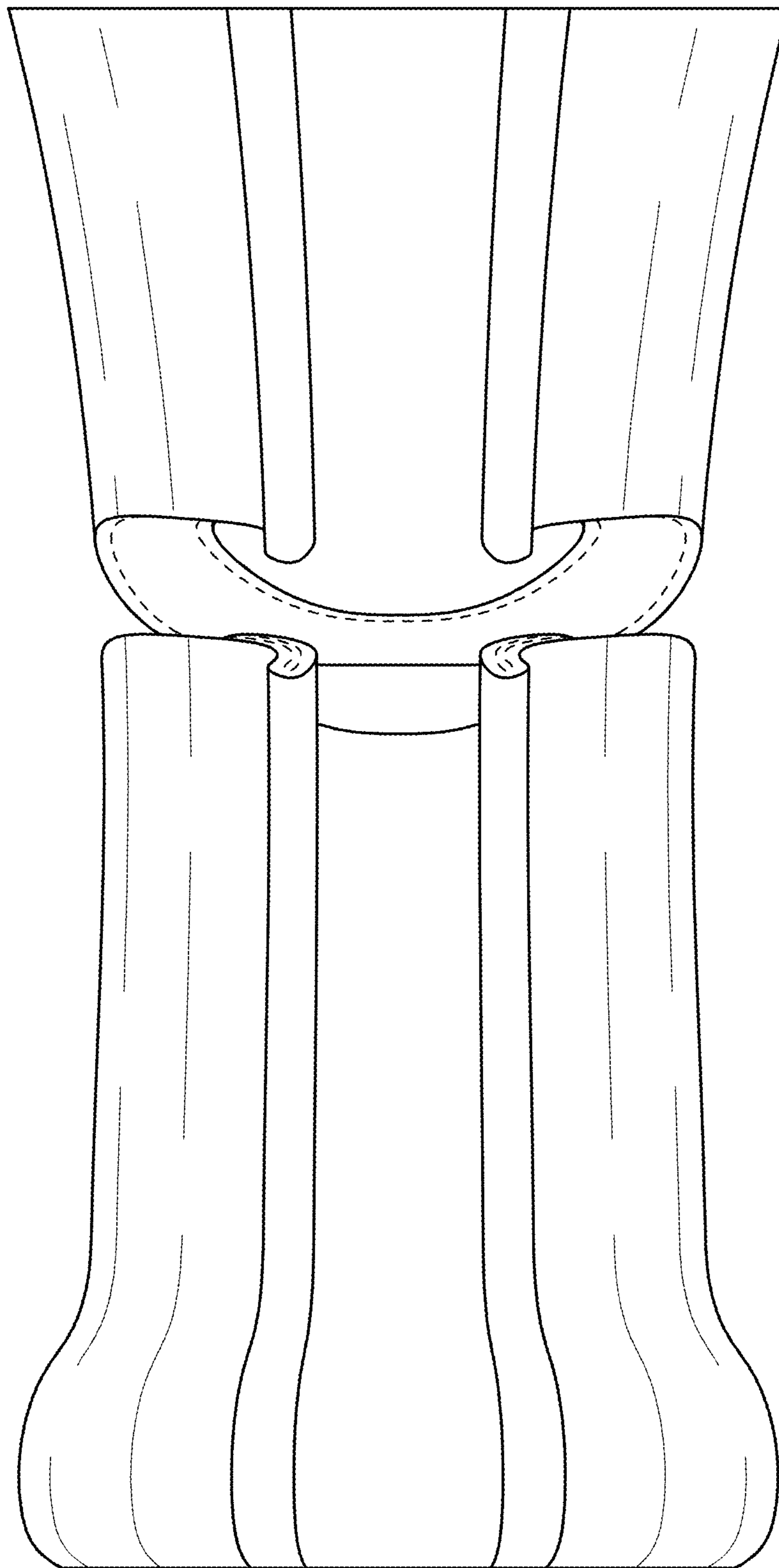


FIG. 5

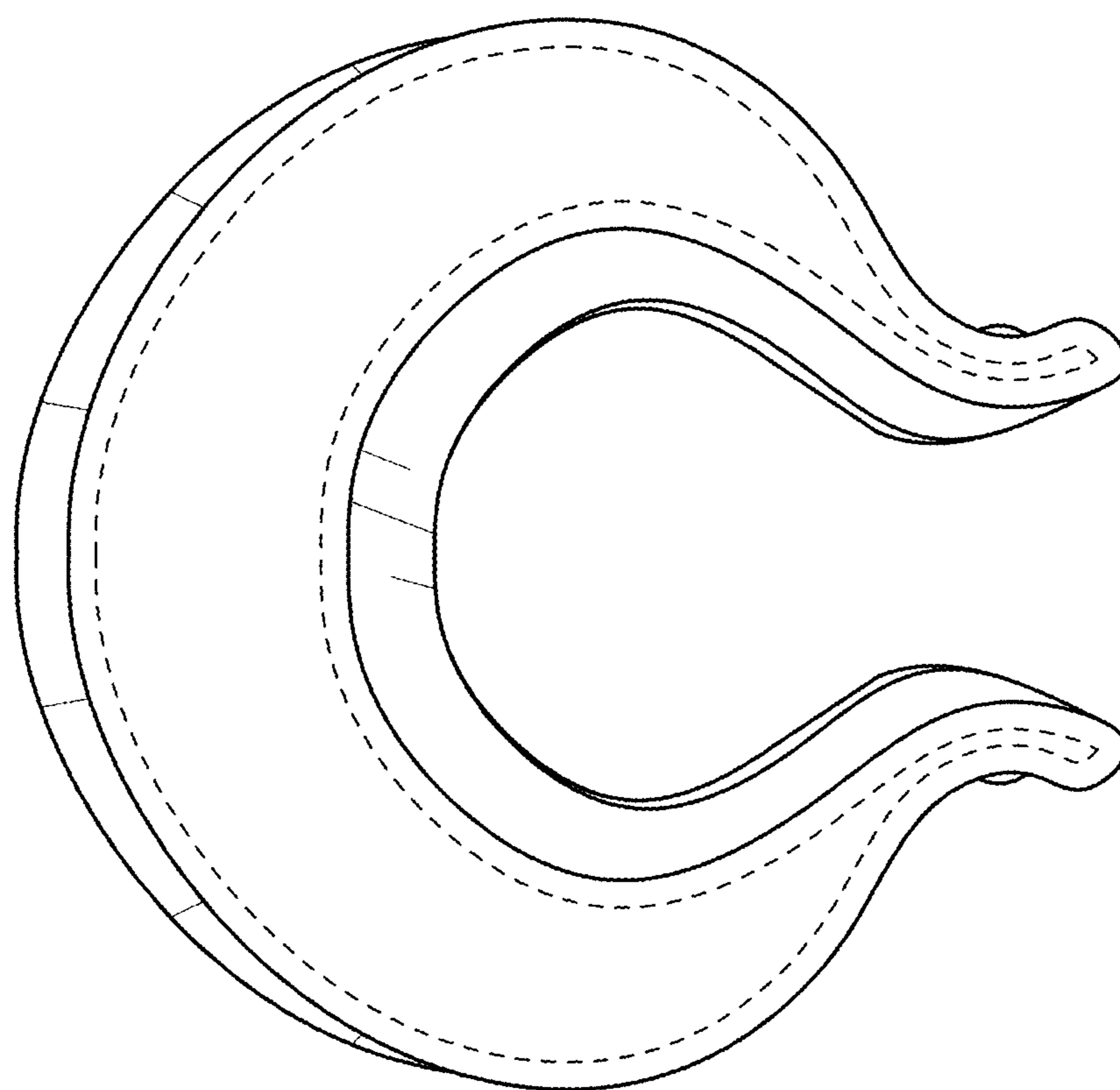


FIG. 6

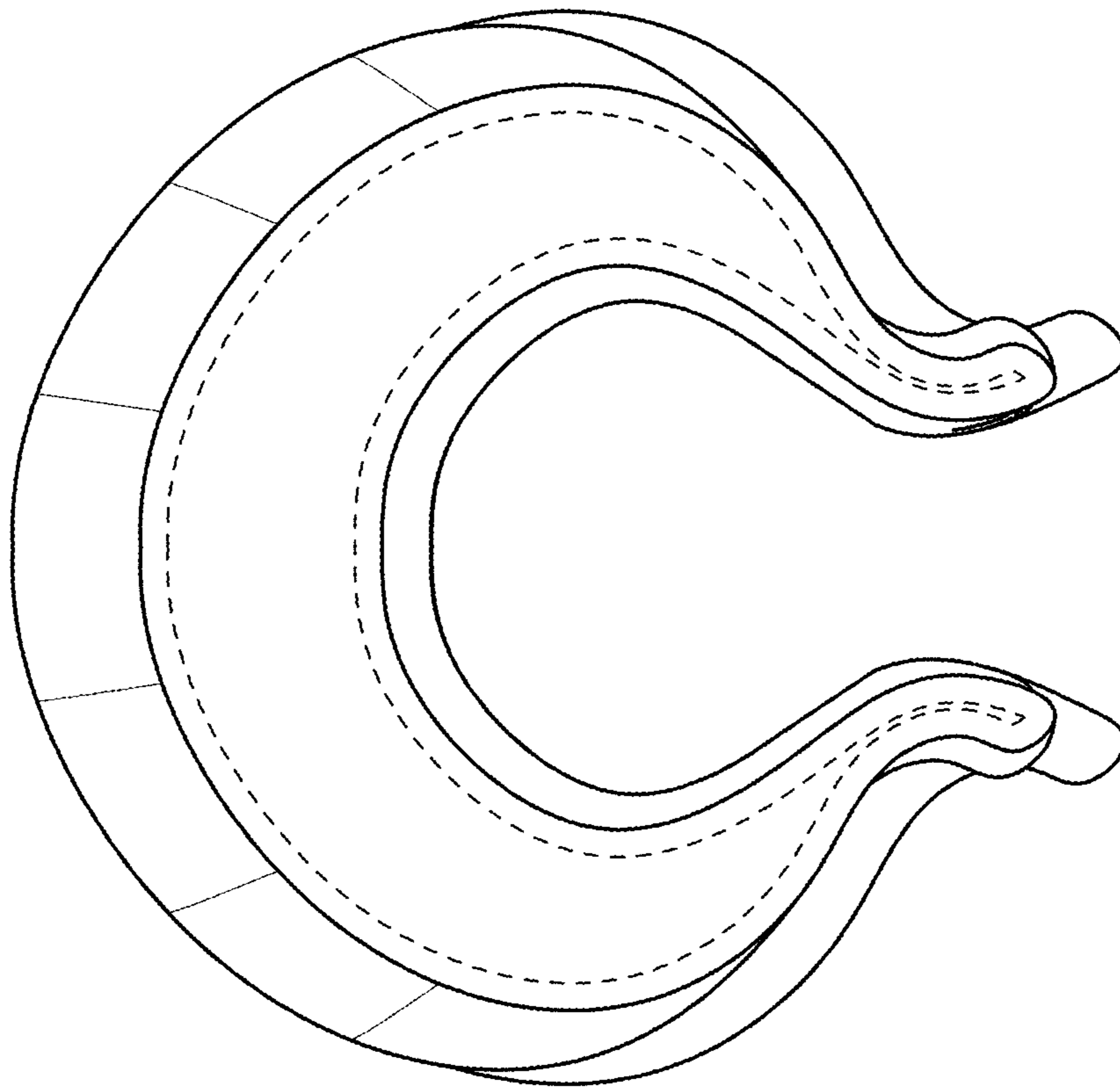


FIG. 7