



US00D816271S

(12) **United States Design Patent**  
**Huang**

(10) **Patent No.:** **US D816,271 S**

(45) **Date of Patent:** **\*\* Apr. 24, 2018**

(54) **SHAVE RAZOR**

(71) Applicant: **Guangzhou Weidi Commodity Co., Ltd.**, Guangzhou (CN)

(72) Inventor: **Zhijian Huang**, Guangzhou (CN)

(73) Assignee: **GUANGZHOU WEIDI COMMODITY CO., LTD.**, Guangzhou (CN)

(\*\*) Term: **15 Years**

(21) Appl. No.: **29/581,772**

(22) Filed: **Oct. 21, 2016**

(30) **Foreign Application Priority Data**

May 25, 2016 (CN) ..... 2016 3 0201583

(51) **LOC (11) Cl.** ..... **28-03**

(52) **U.S. Cl.**  
USPC ..... **D28/46**

(58) **Field of Classification Search**  
USPC ..... D28/46-48  
CPC ..... B26B 21/52-21/528; B26B 21/14-21/38

See application file for complete search history.

(56) **References Cited**

**U.S. PATENT DOCUMENTS**

D230,219 S *	1/1974	Glaberson	.....	D28/48
D370,305 S *	5/1996	Wonderley	.....	D28/48
D563,045 S *	2/2008	Provost	.....	D28/48
D563,046 S *	2/2008	Provost	.....	D28/48
D700,995 S *	3/2014	Lee	.....	D28/48
D724,270 S *	3/2015	Sims	.....	D28/48

D725,824 S *	3/2015	Sims	.....	D28/48
D764,102 S *	8/2016	Christie	.....	D28/48
D773,734 S *	12/2016	Li	.....	D28/48
D788,367 S *	5/2017	Nordstrom	.....	D28/47
D802,842 S *	11/2017	Ngo	.....	D28/48

**OTHER PUBLICATIONS**

Vikings Blade—The Godfather Safety Razor, reviewed Aug. 17, 2016, <https://www.amazon.com/VIKINGS-Godfather-Safety-Swedish-Platinum/dp/B019QLSRT4/>

ref=cm\_cr\_arp\_d\_product\_top?ie=UTF8, 9 pages, downloaded Sep. 28, 2017.\*

Gentleman's Journal, Top 5 classic safety razors for the modern gentleman Sep. 17, 2014, <https://www.thegentlemansjournal.com/article/filson-introduction-brand-need-piece/>, 6 pages.\*

\* cited by examiner

*Primary Examiner* — Jennifer Rivard

(74) *Attorney, Agent, or Firm* — Thompson Hine LLP

(57) **CLAIM**

The ornamental design for a shave razor, as shown.

**DESCRIPTION**

FIG. 1 is an upper perspective view of a shave razor showing my new design;

FIG. 2 is a lower perspective view thereof;

FIG. 3 is a front view thereof;

FIG. 4 is a rear view thereof;

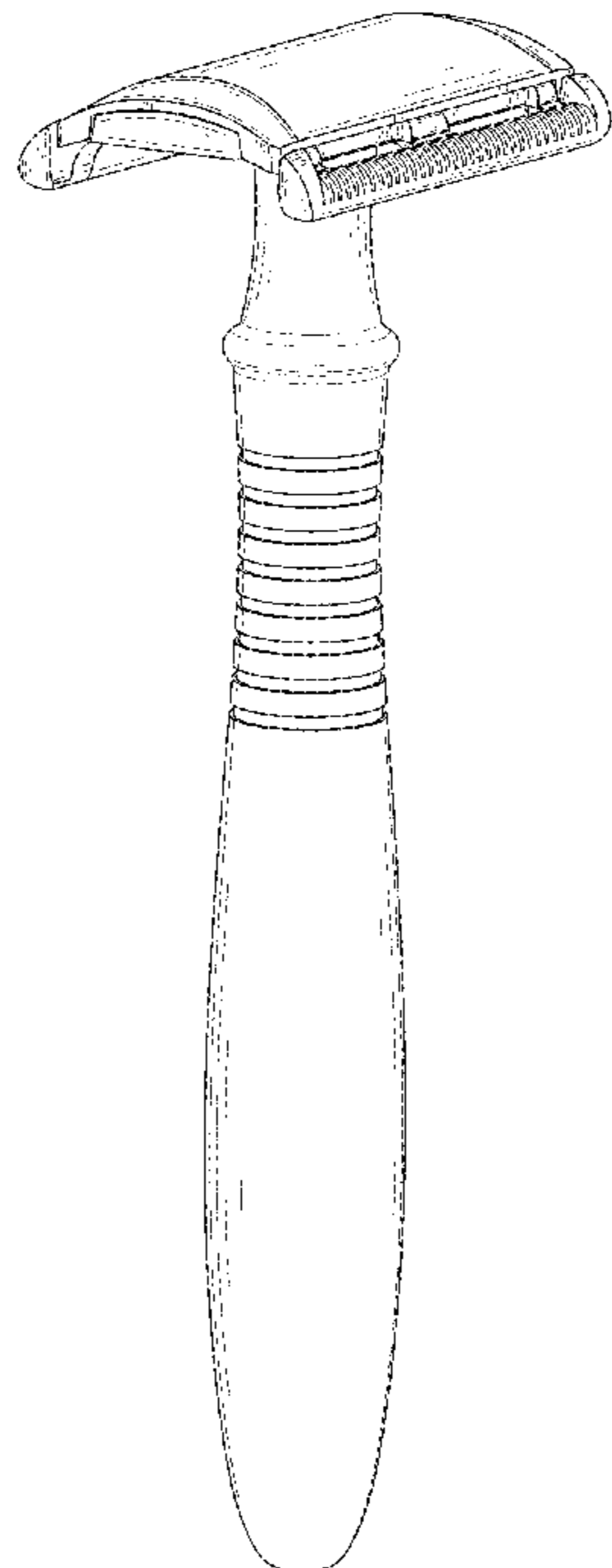
FIG. 5 is a left side view thereof;

FIG. 6 is a right side view thereof;

FIG. 7 is a top view thereof; and,

FIG. 8 is a bottom view thereof.

**1 Claim, 8 Drawing Sheets**



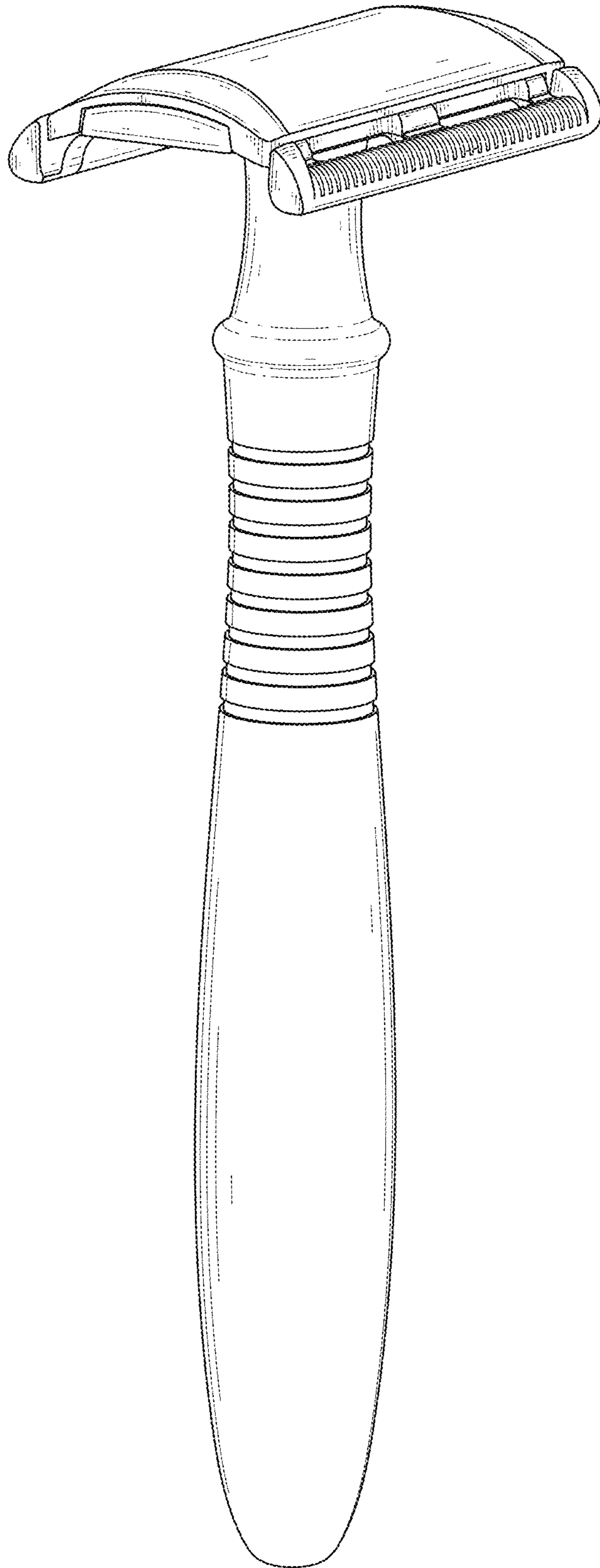


FIG. 1

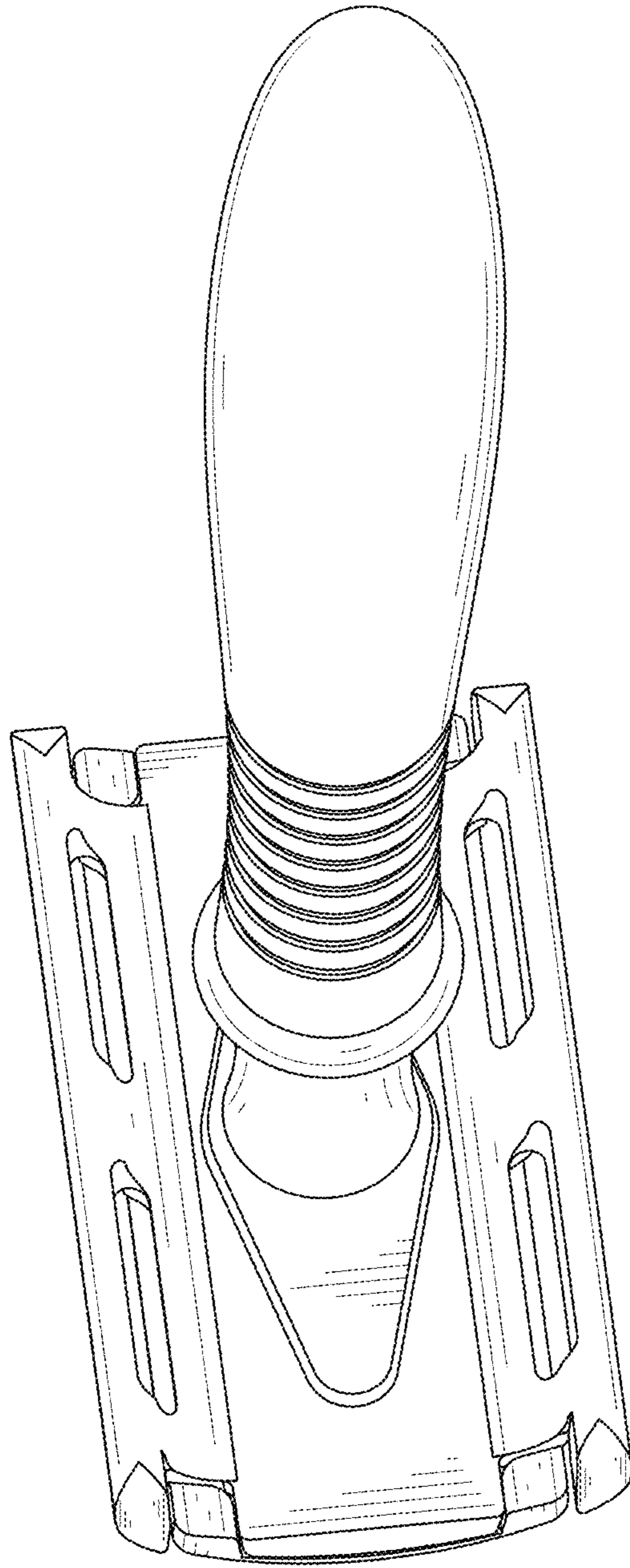


FIG. 2

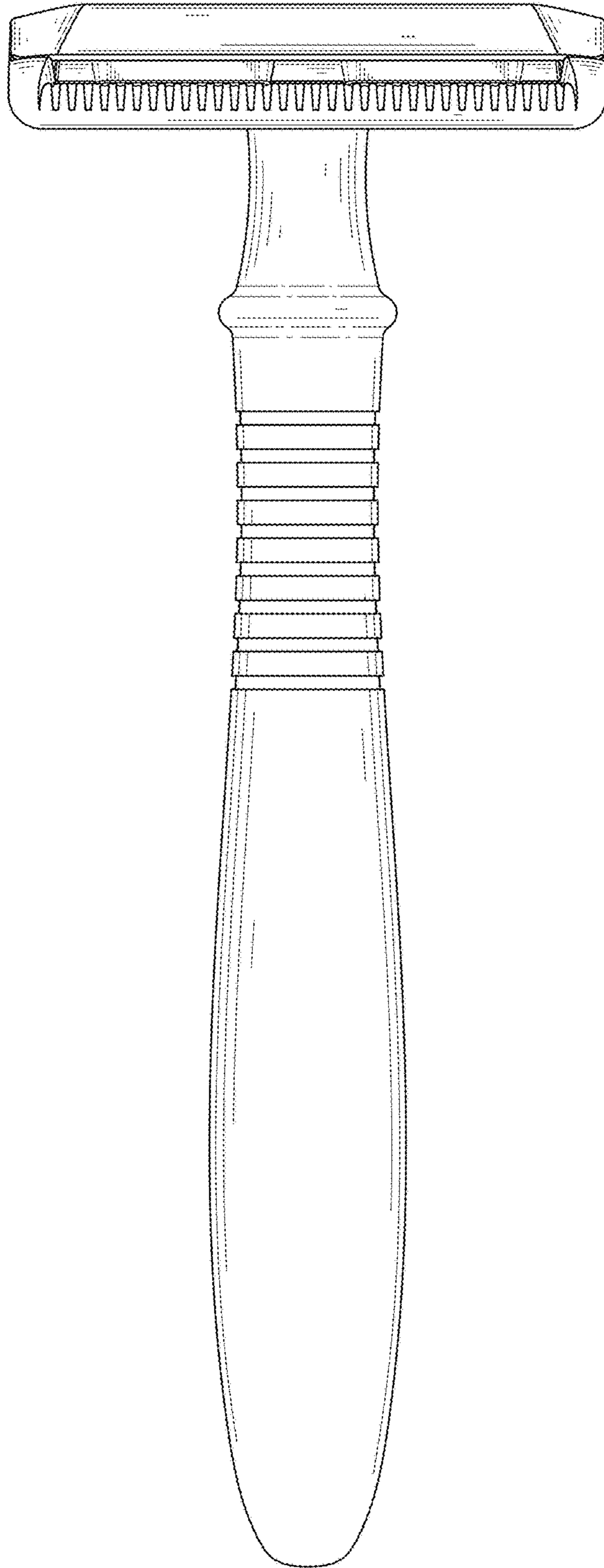


FIG. 3

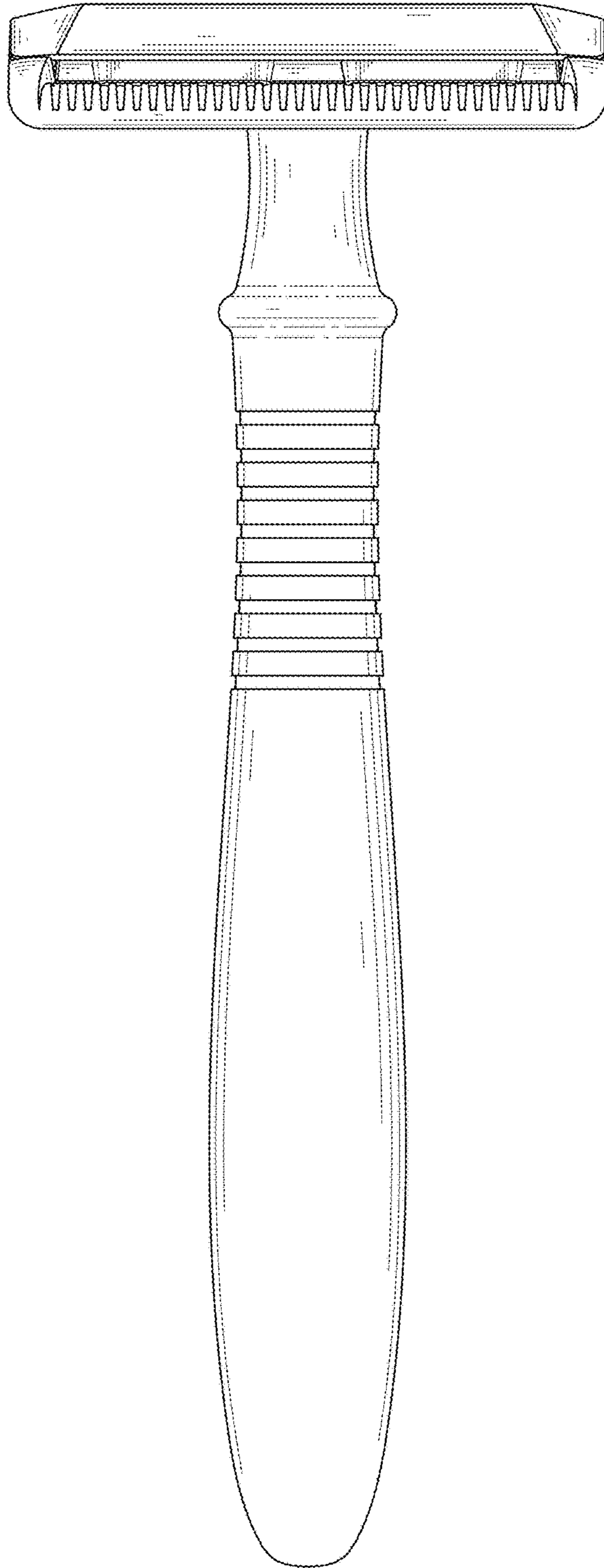


FIG. 4

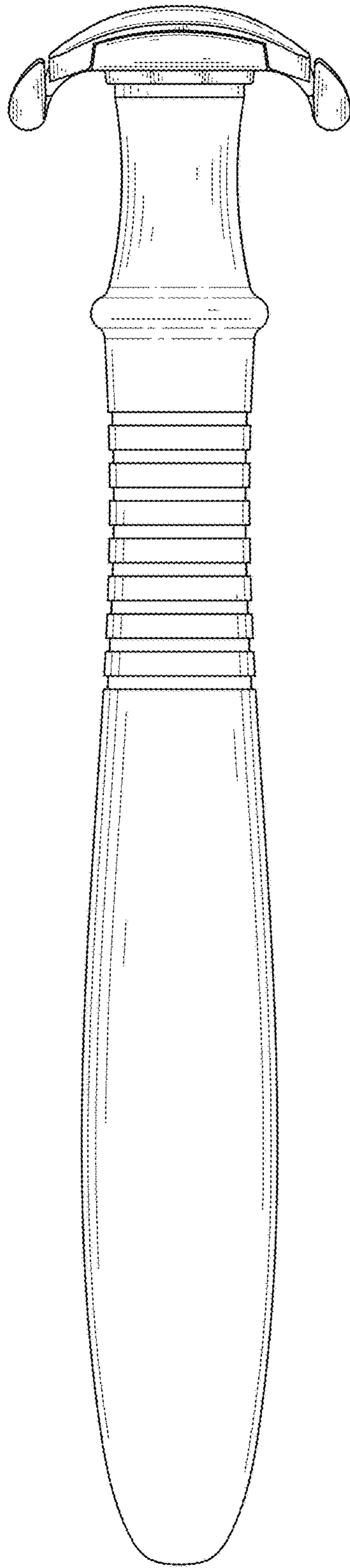


FIG. 5

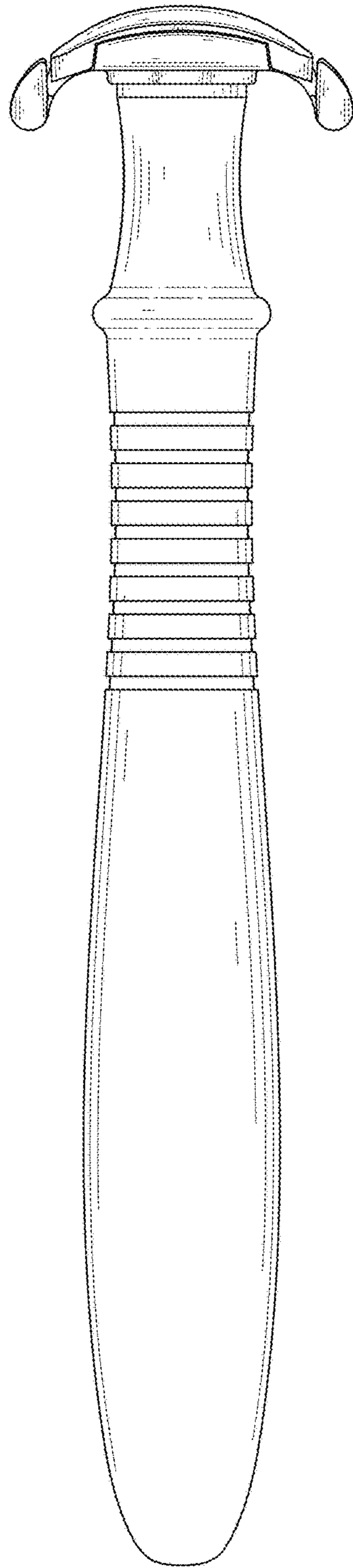


FIG. 6

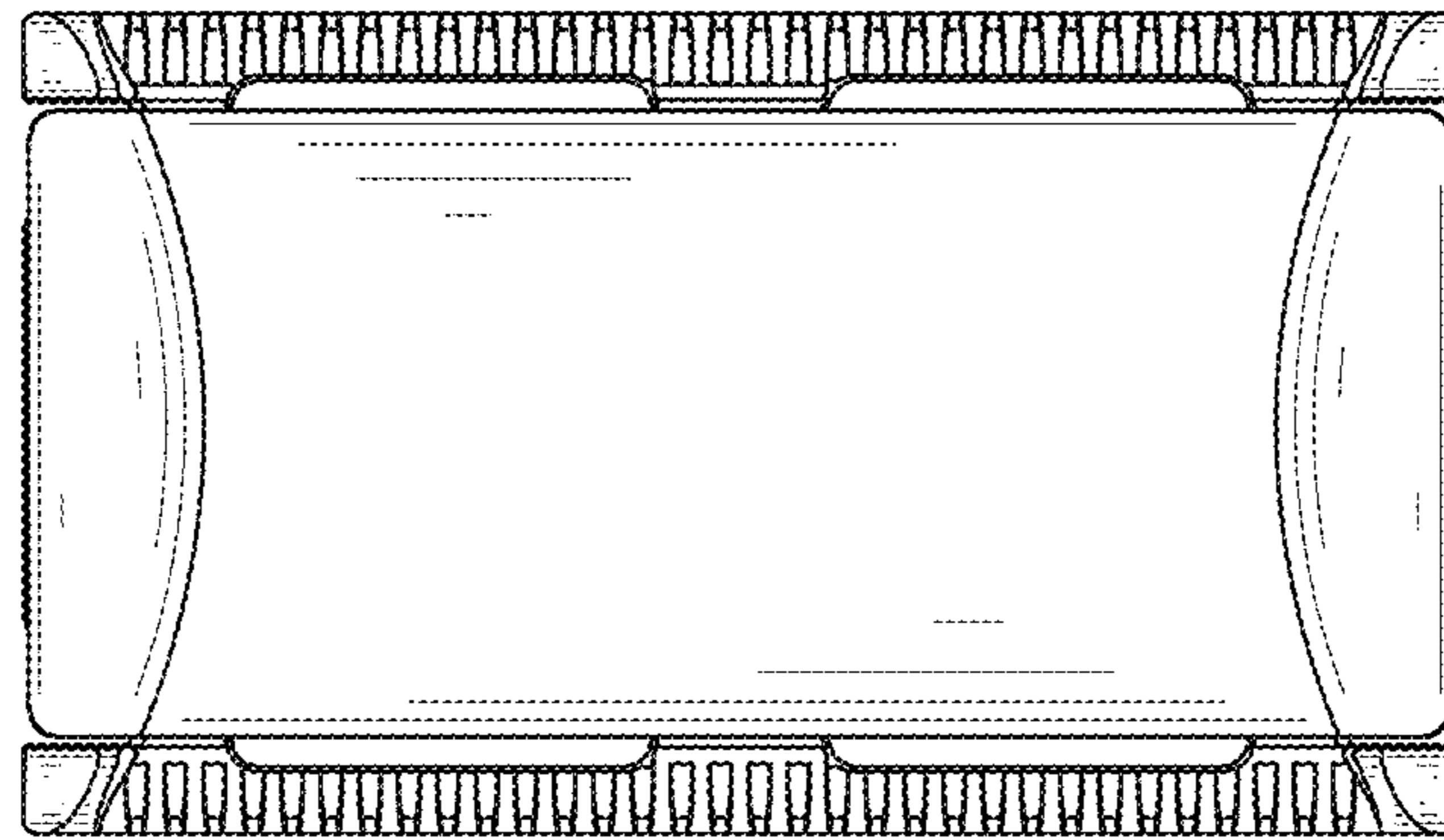


FIG. 7



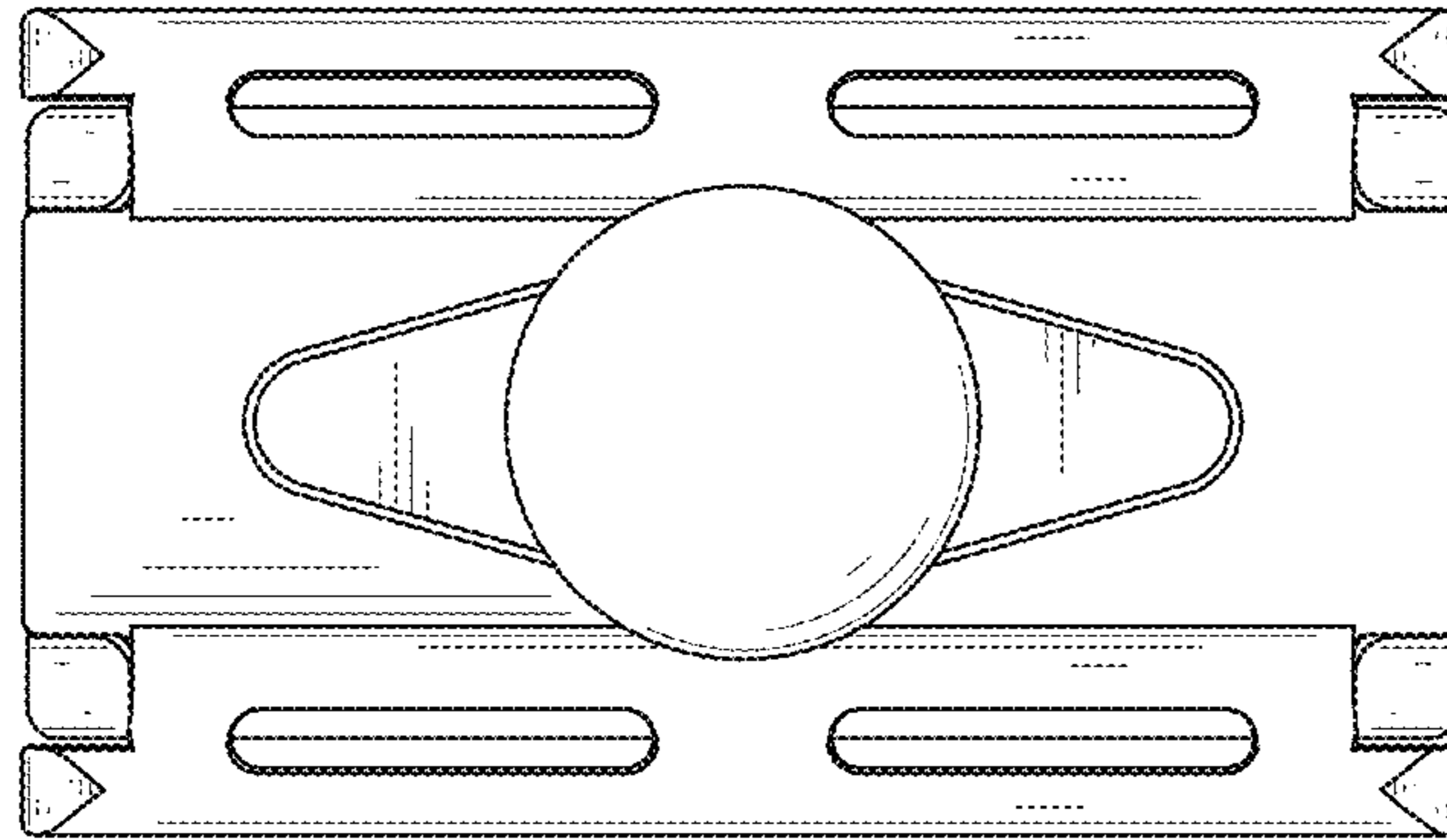


FIG. 8