



US00D816269S

(12) **United States Design Patent** (10) **Patent No.:** **US D816,269 S**
Janardhana et al. (45) **Date of Patent:** **** Apr. 24, 2018**

(54) **SOAP BAR** D245,879 S * 9/1977 Morrison D25/161
 D451,243 S 11/2001 Katz et al.
 (71) Applicant: **Conopco, Inc.**, Englewood Cliffs, NJ D608,944 S 1/2010 Gutfleisch et al.
 (US) D610,753 S * 2/2010 Moskowitz D30/158
 D665,945 S * 8/2012 Macias D28/8.1
 (72) Inventors: **Sridhar Janardhana**, Mumbai (IN); D668,385 S * 10/2012 Huljak D24/211
Ajay Rohilla, Mumbai (IN) D773,117 S * 11/2016 Crawford D28/8.1
 D787,744 S * 5/2017 Crawford D28/8.1

(**) Term: **15 Years**

FOREIGN PATENT DOCUMENTS

(21) Appl. No.: **35/501,053**

PH 32001000046 2/2001

(22) Filed: **Feb. 23, 2016**

OTHER PUBLICATIONS

(80) **Hague Agreement Data**

Bar of Soap, DM2679US, Apr. 2, 2015, In re of U.S. Appl. No. 35/500,529.

Int. Filing Date: **Feb. 23, 2016**

Int. Reg. No.: **DM/090829**

Int. Reg. Date: **Feb. 23, 2016**

Int. Reg. Pub. Date: **Jun. 10, 2016**

* cited by examiner

Primary Examiner — Zenia Bennett

(30) **Foreign Application Priority Data**

Sep. 18, 2015 (EM) 002775080-0001

(51) **LOC (11) Cl.** **28-02**

(52) **U.S. Cl.**
USPC **D28/8.1**

(58) **Field of Classification Search**

USPC D28/8.1-8.2; 510/141, 147, 148
 CPC . C11D 17/00; C11D 17/0017; C11D 17/0026;
 C11D 17/0047-17/0095; C11D 13/16;
 C11D 13/18; C11D 13/20

See application file for complete search history.

(57) **CLAIM**

The ornamental design for a soap bar, as shown and described.

DESCRIPTION

1. Bar of soap

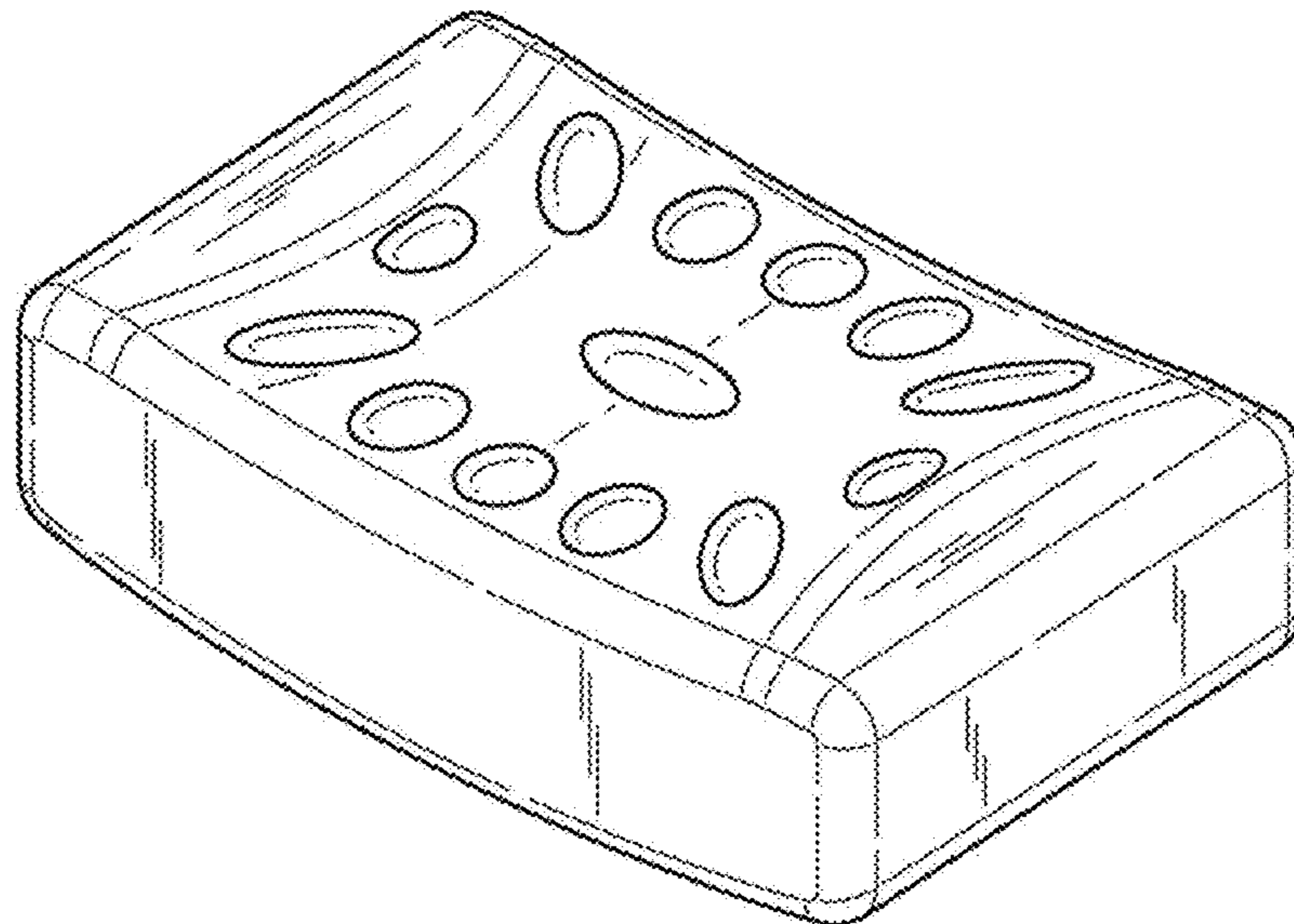
Figure 1.1 is a perspective view of our soap bar from the front, above and one side; Figure 1.2 is a front view of our soap bar; Figure 1.3 is a rear view of our soap bar; Figure 1.4 is a side elevational view of our soap bar; Figure 1.5 is a view of the other side elevation of our soap bar; Figure 1.6 is a plan view of our soap bar; and Figure 1.7 is an underneath plan view of our soap bar.

(56) **References Cited**

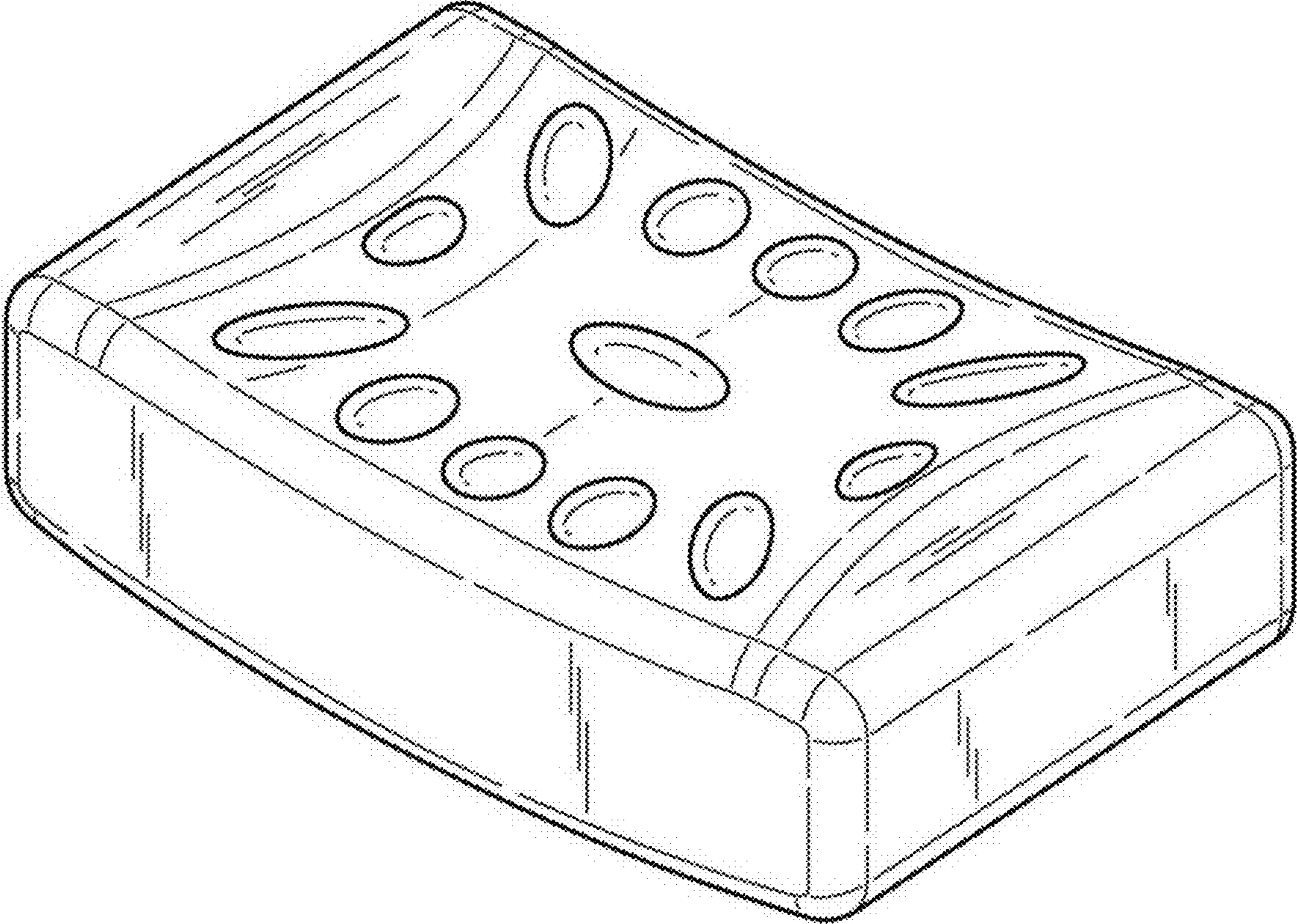
U.S. PATENT DOCUMENTS

D243,631 S * 3/1977 Morrison D25/160
 D245,039 S * 7/1977 Morrison D28/8.1

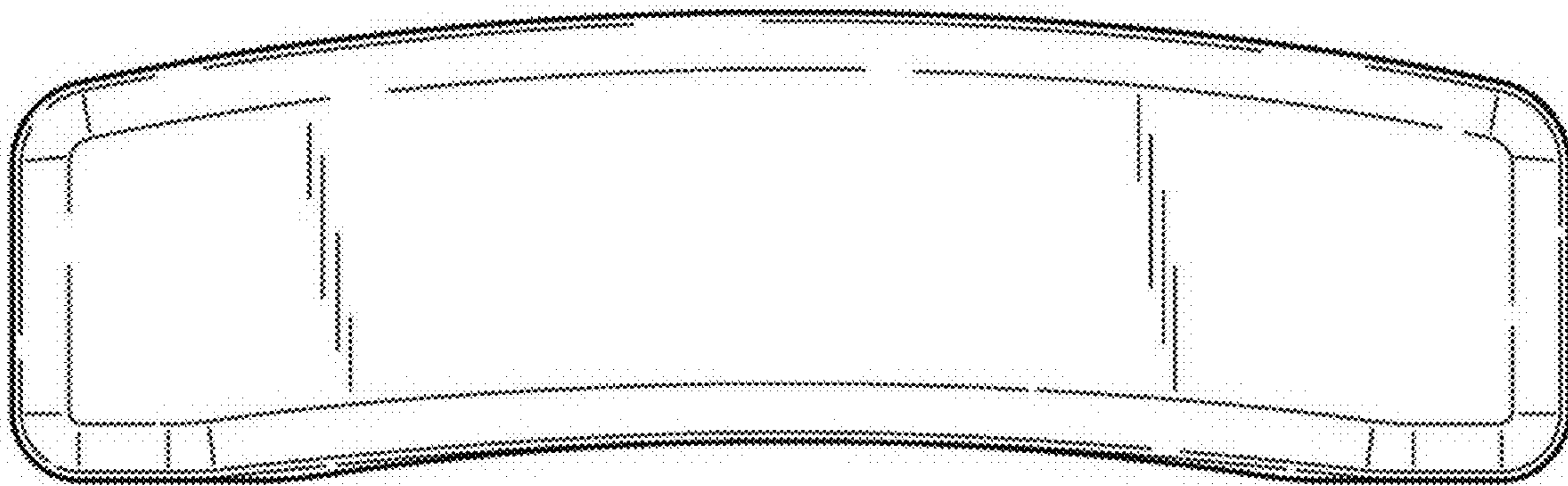
1 Claim, 7 Drawing Sheets



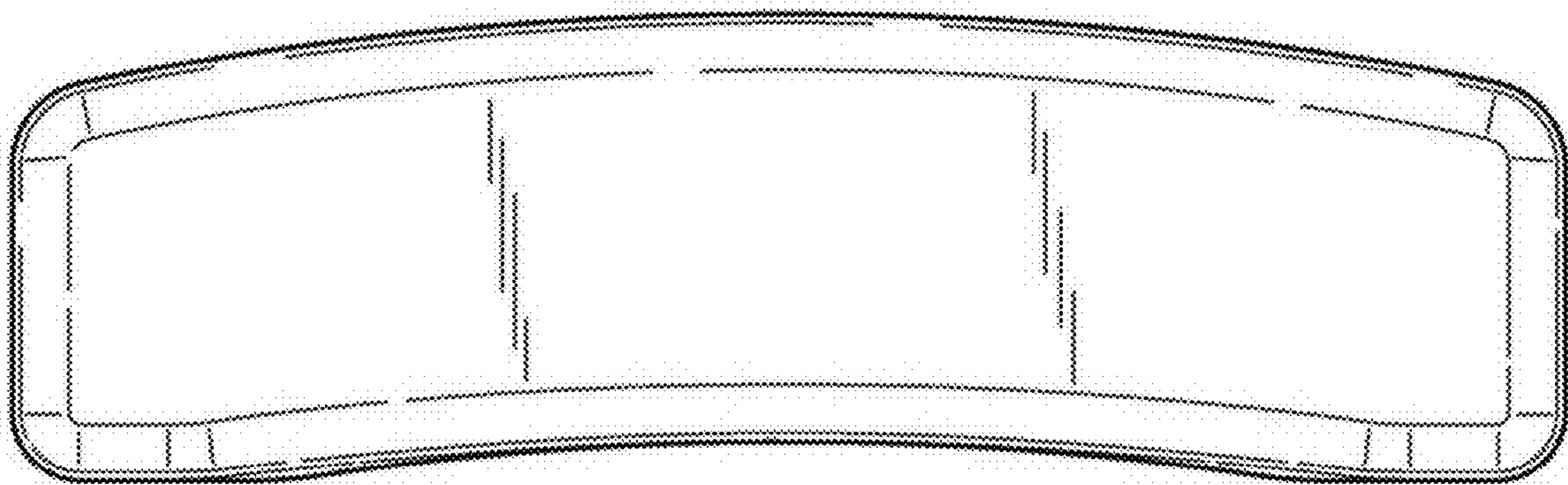
1.1



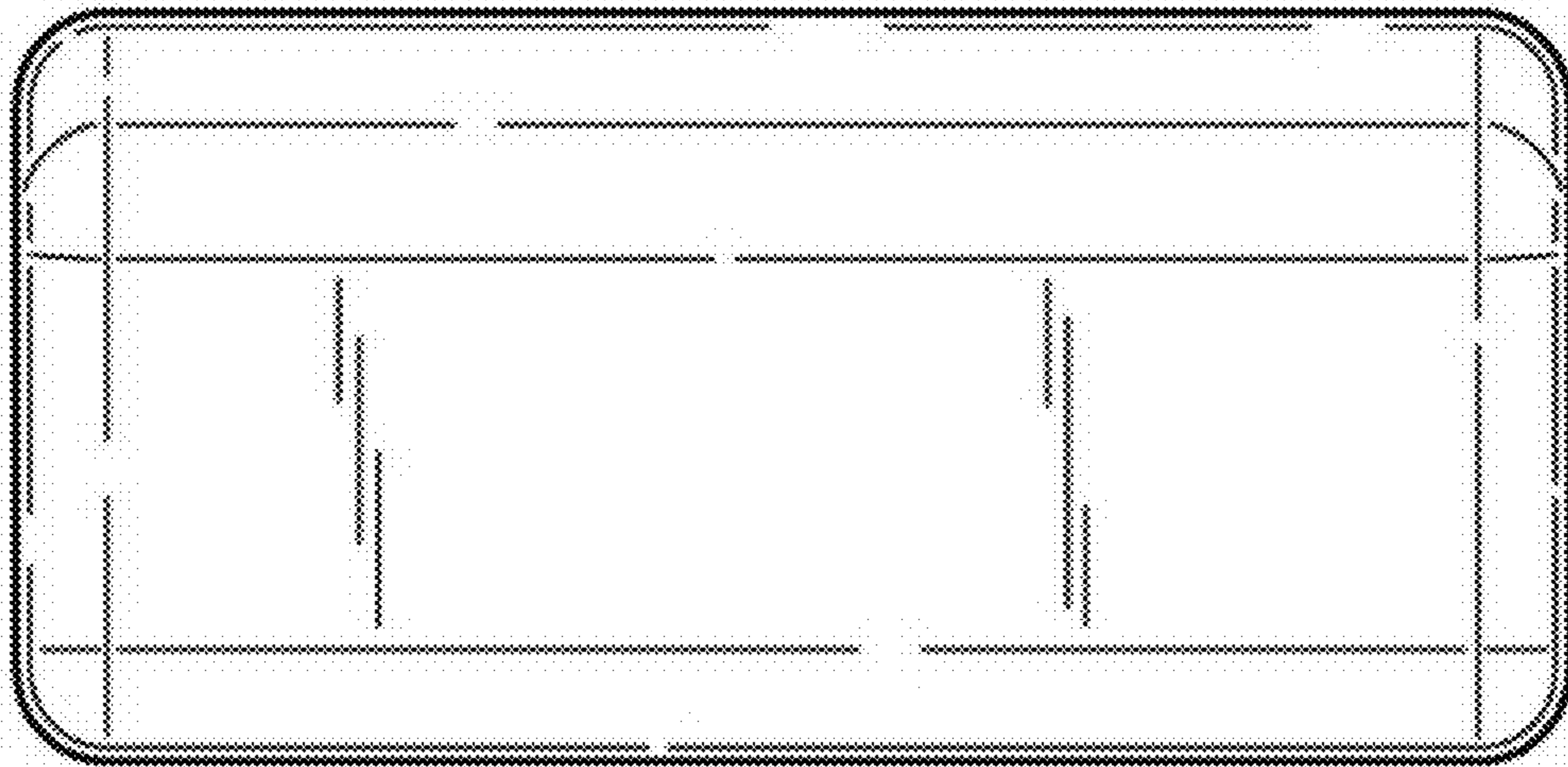
1.2



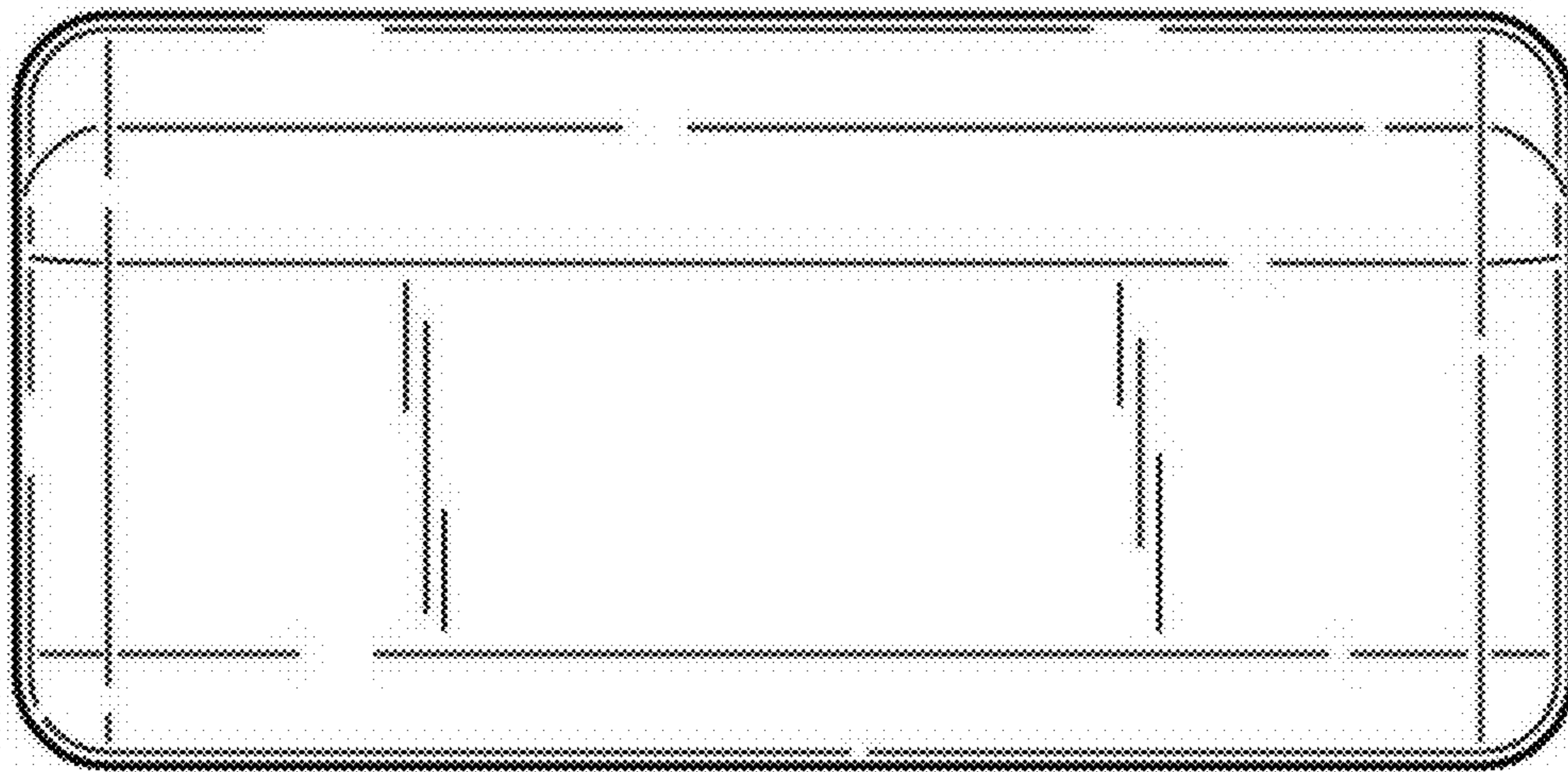
1.3



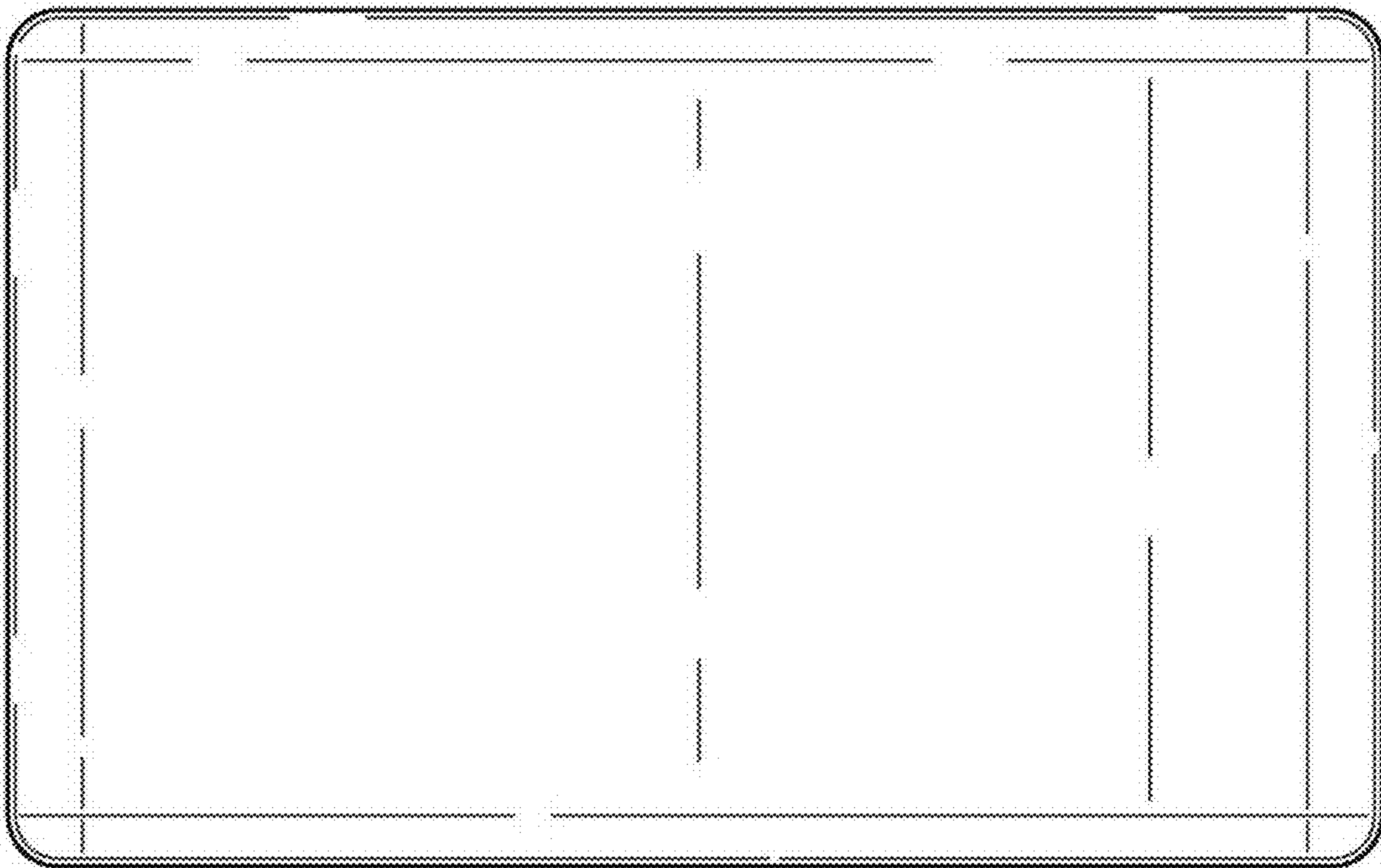
1.4



1.5



1.6



1.7

