



US00D816267S

(12) **United States Design Patent**
Fornarelli

(10) **Patent No.:** **US D816,267 S**
(45) **Date of Patent:** **** Apr. 24, 2018**

- (54) **VAPORIZATION DEVICE**
- (71) Applicant: **Thomas Fornarelli**, Chicago, IL (US)
- (72) Inventor: **Thomas Fornarelli**, Chicago, IL (US)
- (73) Assignee: **DB INNOVATION INC.**, Chicago, IL (US)
- (**) Term: **15 Years**
- (21) Appl. No.: **29/569,896**
- (22) Filed: **Jul. 1, 2016**
- (51) **LOC (11) Cl.** **27-01**
- (52) **U.S. Cl.**
USPC **D27/101**
- (58) **Field of Classification Search**
USPC D24/108, 110, 110.5; D27/154, 155,
D27/157, 139, 140, 141, 158, 159-161,
D27/100, 101, 162-171, 194; D23/367
CPC A24F 1/00; A24F 1/02; A24F 1/04; A24F
1/06; A24F 1/08; A24F 1/10; A24F 1/12;
A24F 1/14; A24F 1/26; A24F 1/28; A24F
7/00; A24F 7/02; A24F 7/04
See application file for complete search history.

D725,310 S 3/2015 Eksouzian
D737,508 S 8/2015 Liu
9,271,528 B2 3/2016 Liu
(Continued)

FOREIGN PATENT DOCUMENTS

EM 002679795-0001 S 4/2016
JP D1247460 S 8/2005
WO 2016005602 A1 1/2016

Primary Examiner — Sheryl Lane
Assistant Examiner — Jennifer M Campbell
(74) *Attorney, Agent, or Firm* — Zareefa B. Flener; Flener
IP & Business Law

(57) **CLAIM**

The ornamental design for a vaporization device, as shown and described.

DESCRIPTION

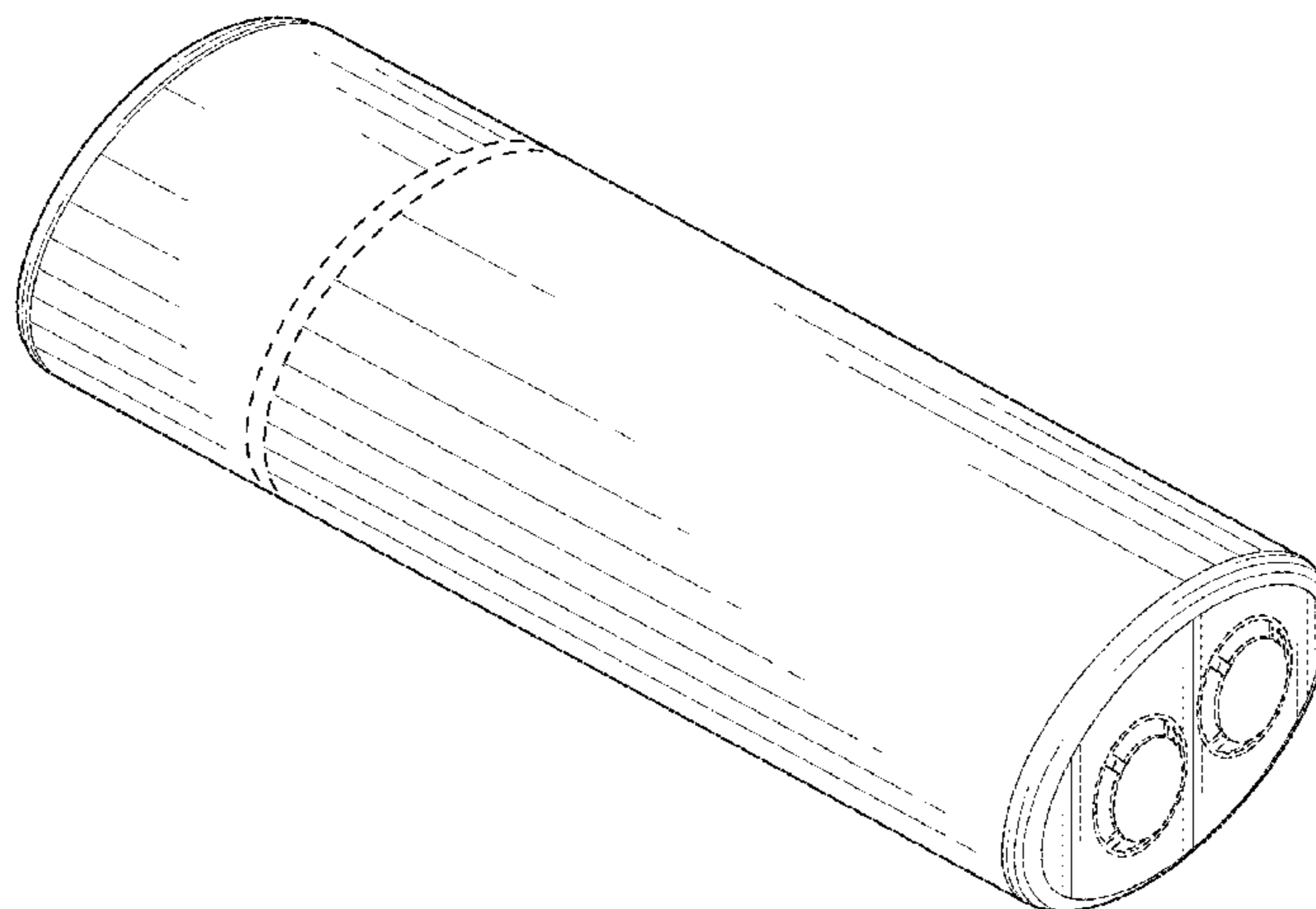
FIG. 1 is a perspective view showing the bottom end of a vaporization device showing of my new design;
FIG. 2 is a perspective view showing the top end of my new design;
FIG. 3 is a bottom elevational view of my new design;
FIG. 4 is a bottom elevational view of my new design;
FIG. 5 is a left side elevational view of my new design, the appearance of any portion of the article between the break lines forms no part of the claimed design;
FIG. 6 is a right side elevational view of my new design, the appearance of any portion of the article between the break lines forms no part of the claimed design;
FIG. 7 is a front plan view of my new design, the appearance of any portion of the article between the break lines forms no part of the claimed design; and,
FIG. 8 is a back plan view of my new design, the appearance of any portion of the article between the break lines forms no part of the claimed design.
A broken line showing is for illustrative purposes only and forms no part of the claimed design.
A break line indicates indeterminate length.

(56) **References Cited**

U.S. PATENT DOCUMENTS

D351,043 S *	9/1994	Parker	D27/154
D413,003 S *	8/1999	Mehdikhazaneh	D27/161
6,234,167 B1	5/2001	Cox et al.		
6,345,739 B1	2/2002	Mekata		
D472,341 S *	3/2003	Cohen Harel	D27/141
D527,140 S *	8/2006	Harel	D27/141
D535,436 S *	1/2007	Luo	D27/154
D557,788 S *	12/2007	Eloranta	24/110
D681,267 S *	4/2013	Touzjian	D27/162
D711,591 S *	8/2014	Wu	D27/157
D716,997 S *	11/2014	Frelander	D23/367
D723,738 S	3/2015	Liu		

1 Claim, 6 Drawing Sheets



(56)

References Cited

U.S. PATENT DOCUMENTS

9,301,547	B2	4/2016	Liu
2007/0068523	A1	3/2007	Fishman
2014/0190503	A1	7/2014	Li et al.
2014/0261488	A1	9/2014	Tucker
2015/0020826	A1	1/2015	Liu
2015/0164145	A1	6/2015	Zhou
2016/0106936	A1	4/2016	Kimmel

* cited by examiner

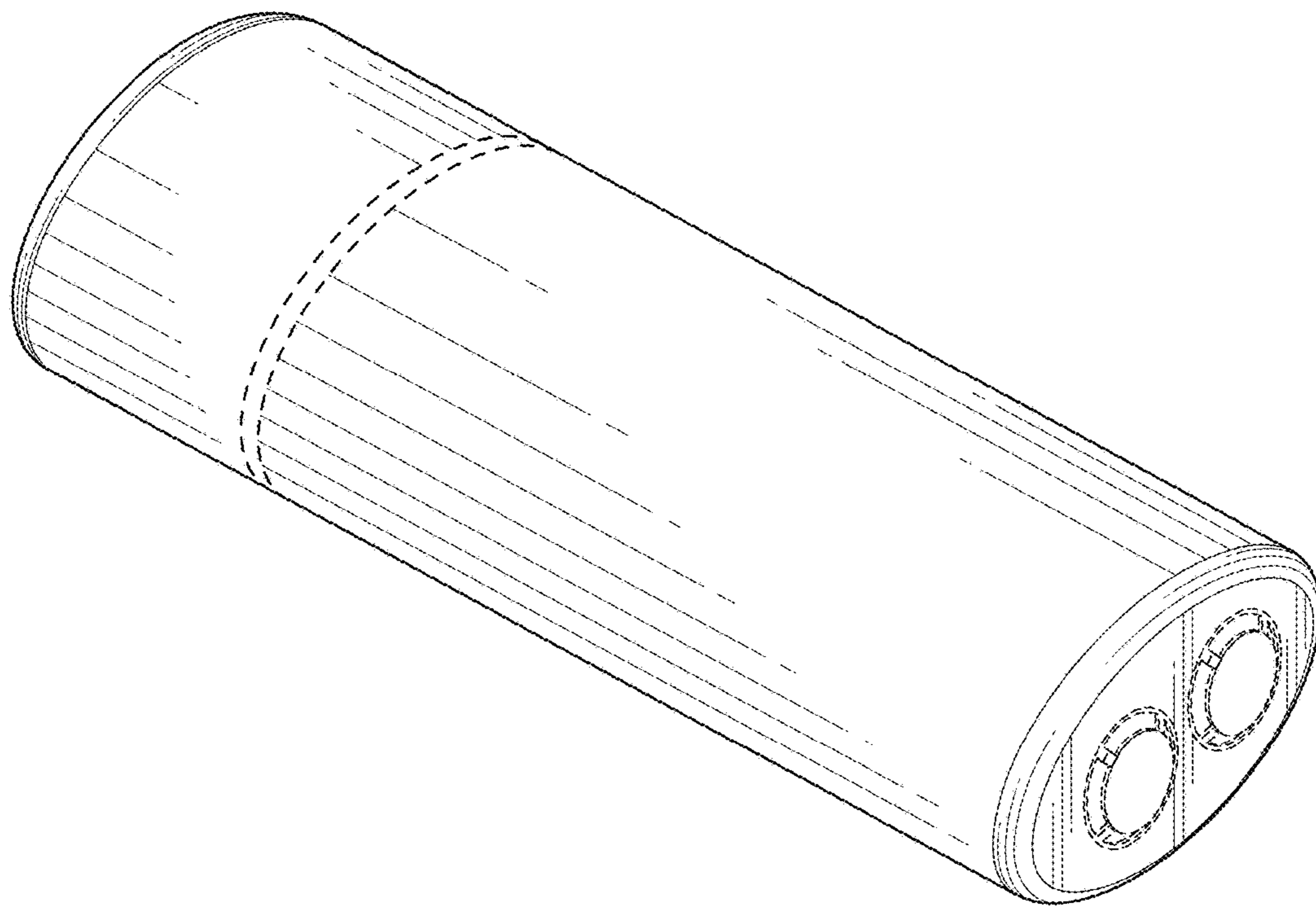


FIG. 1

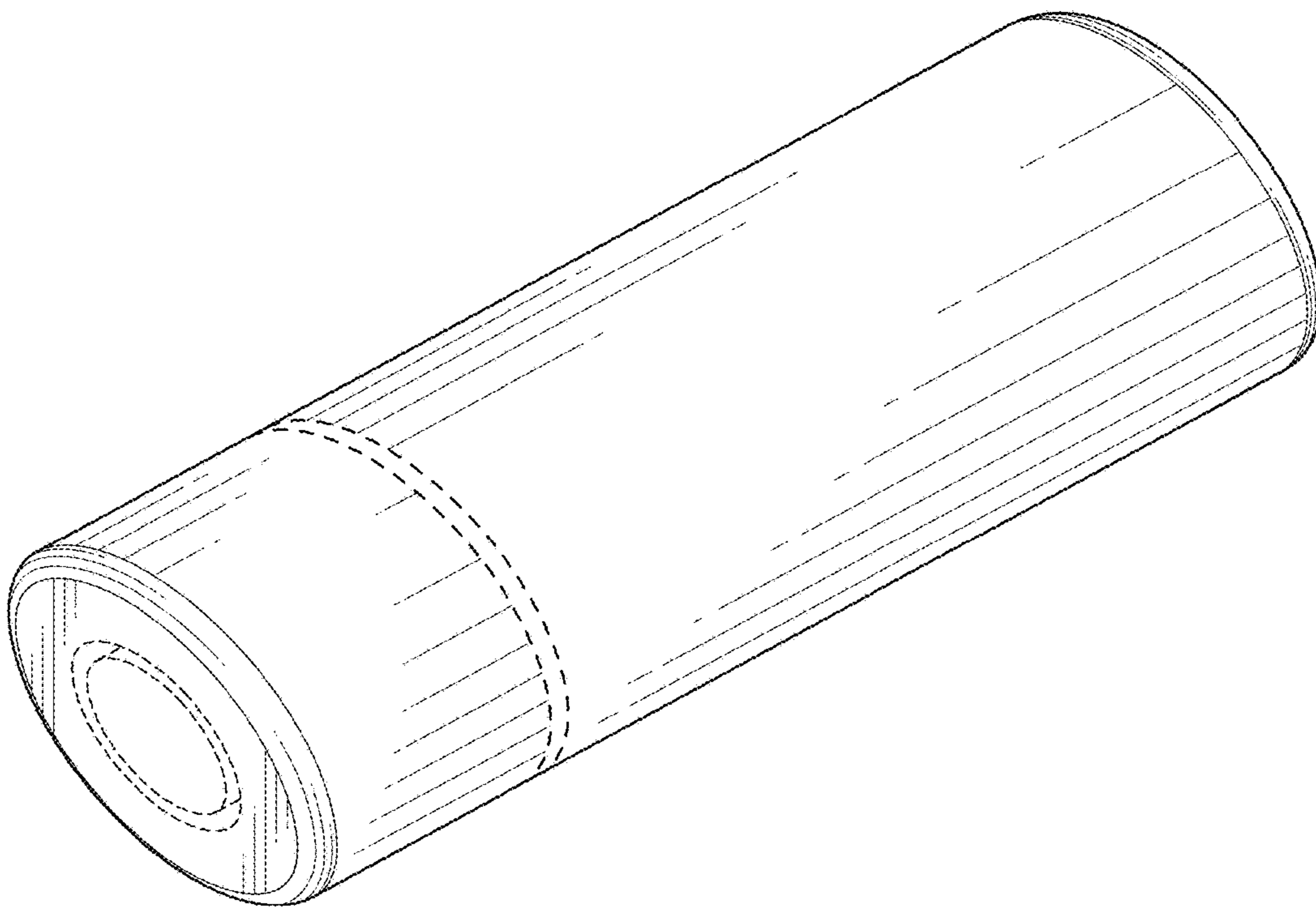


FIG. 2

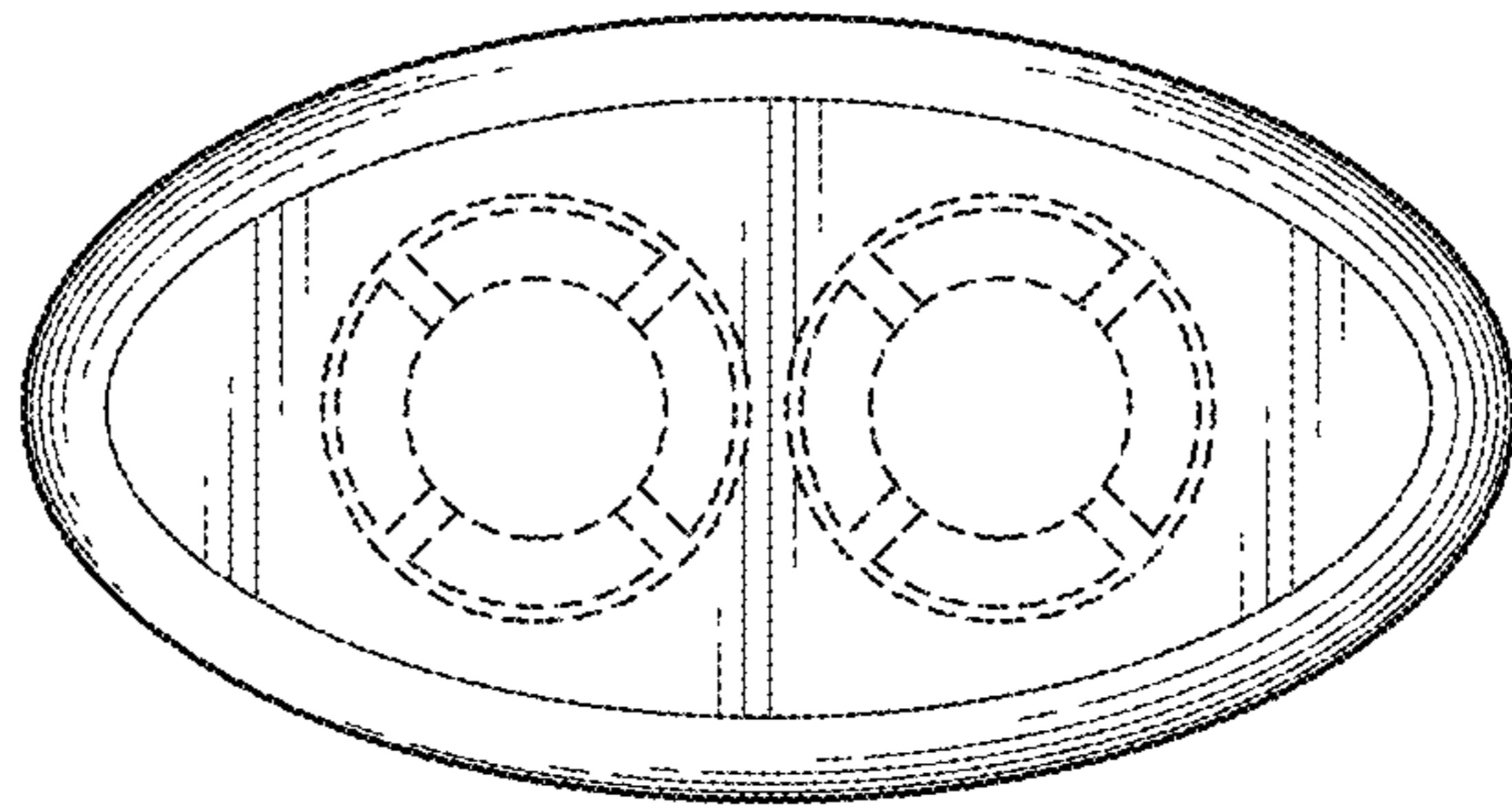


FIG. 3

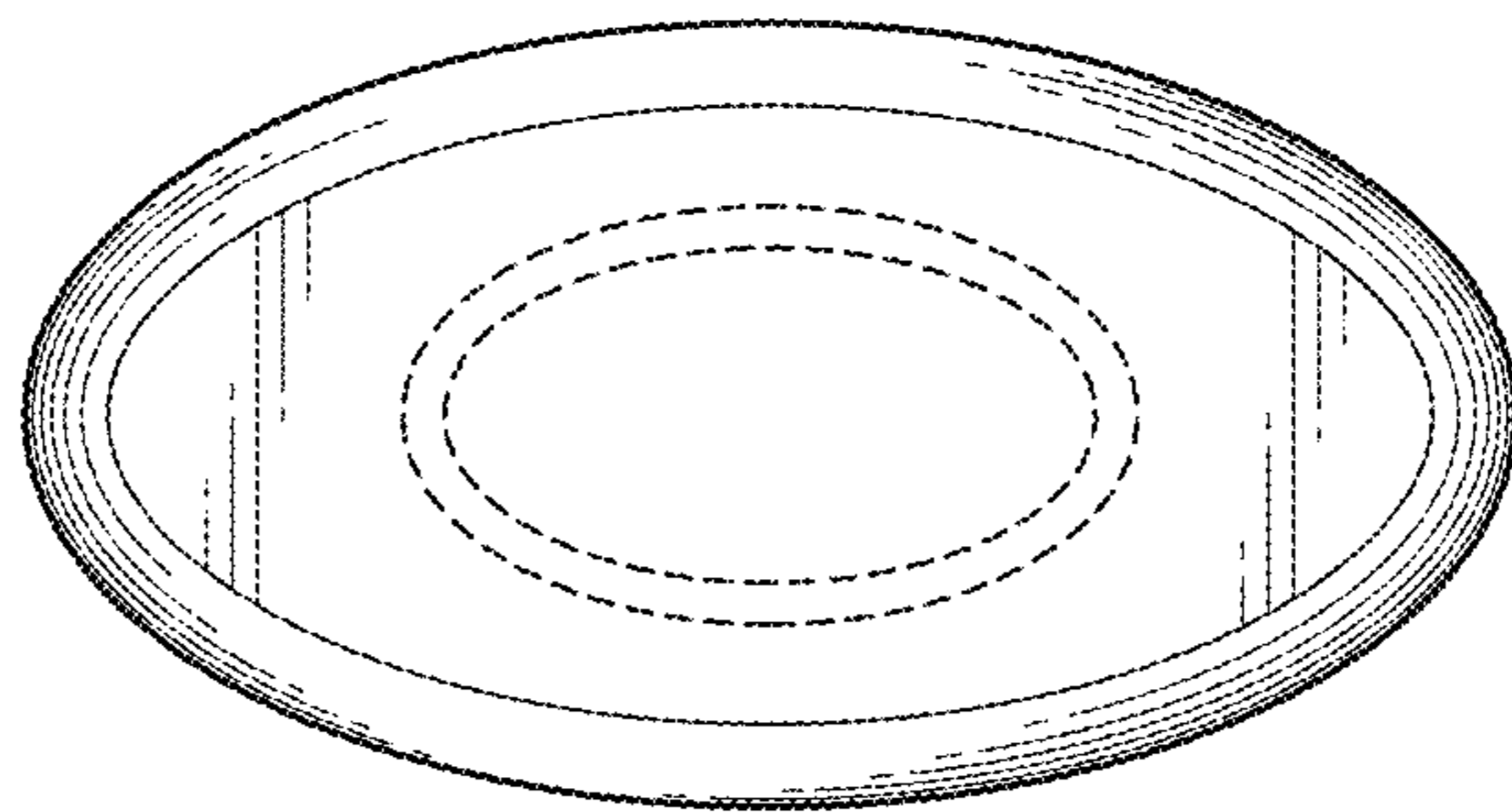


FIG. 4

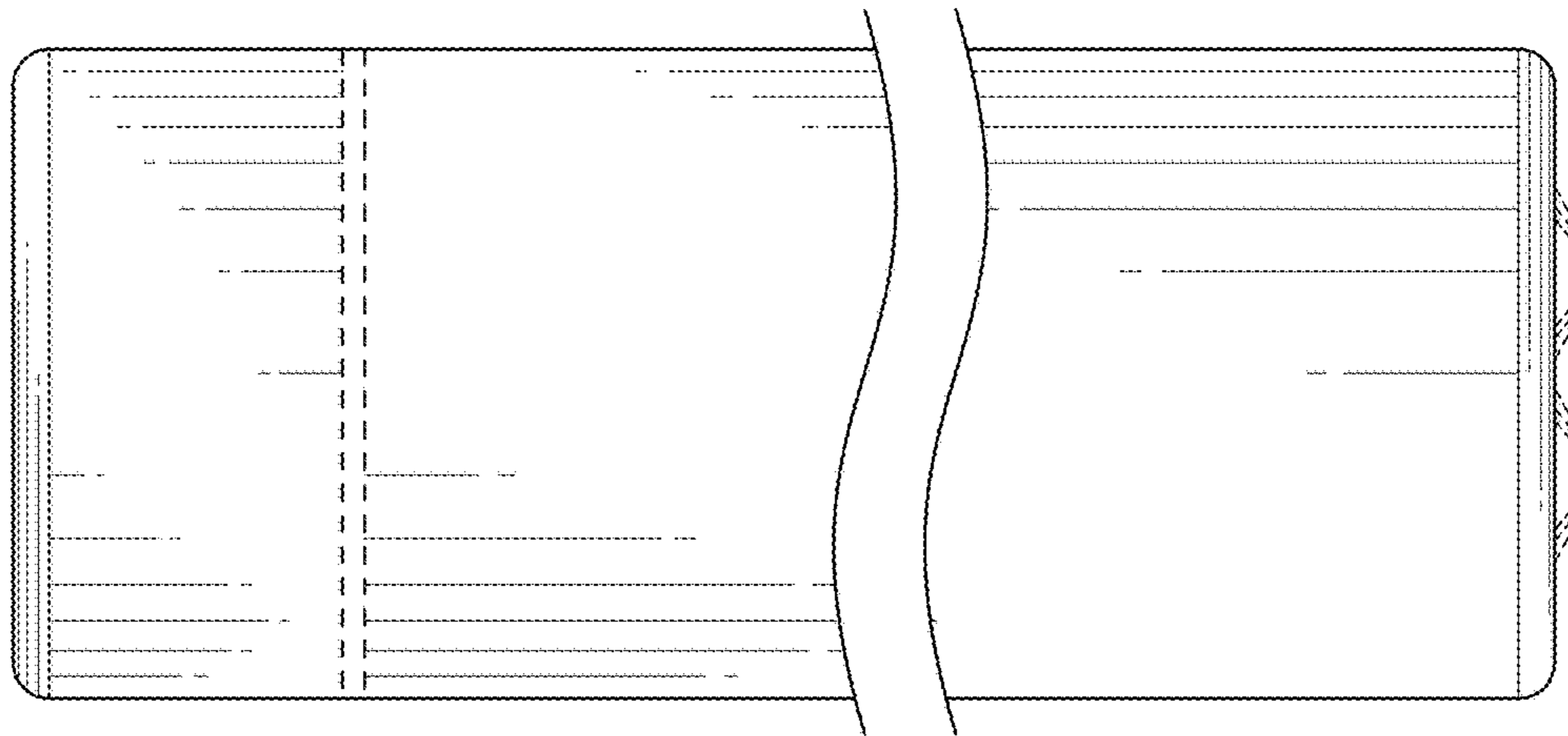


FIG. 5

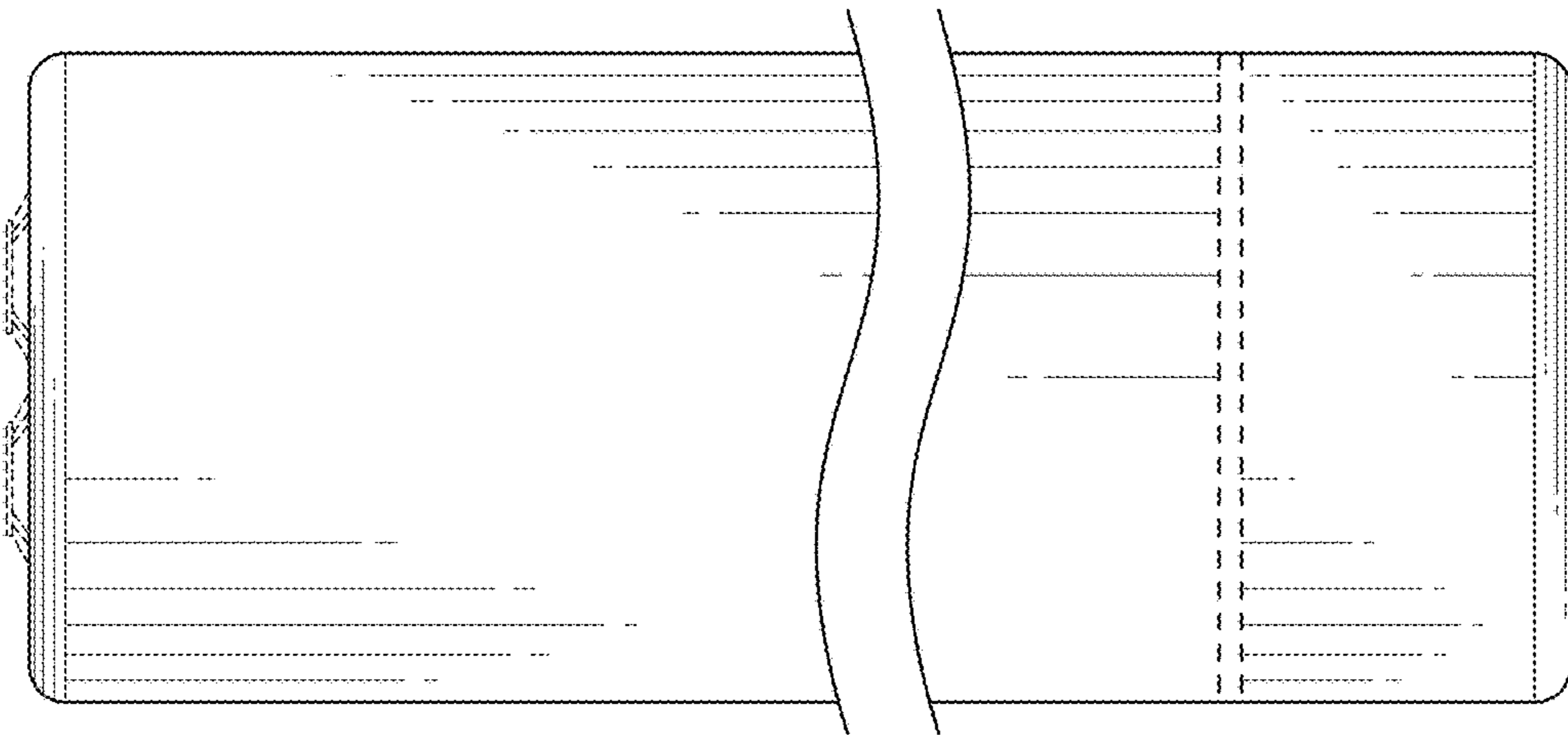


FIG. 6

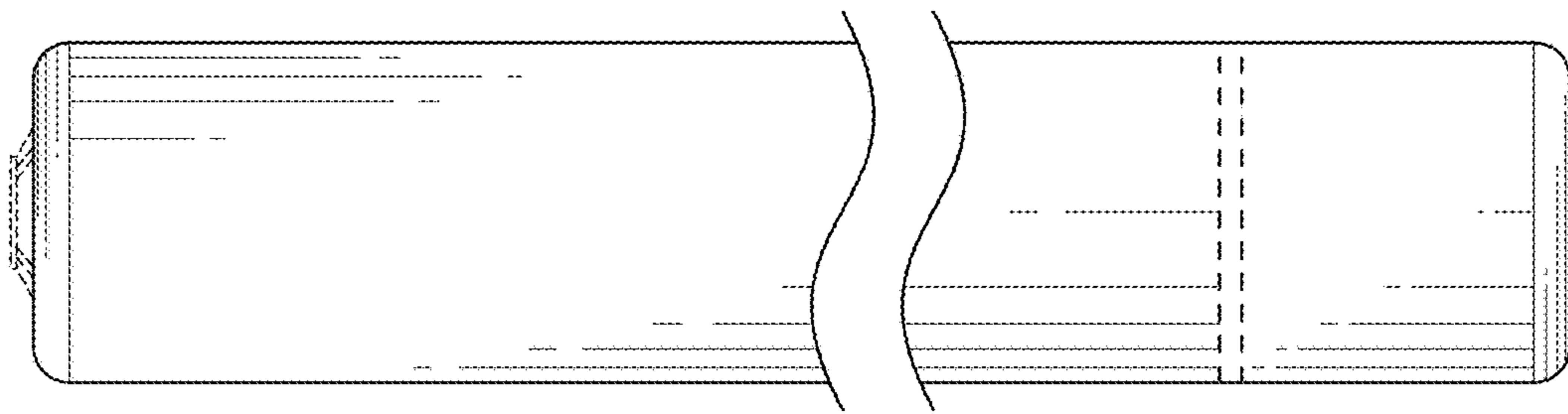


FIG. 7

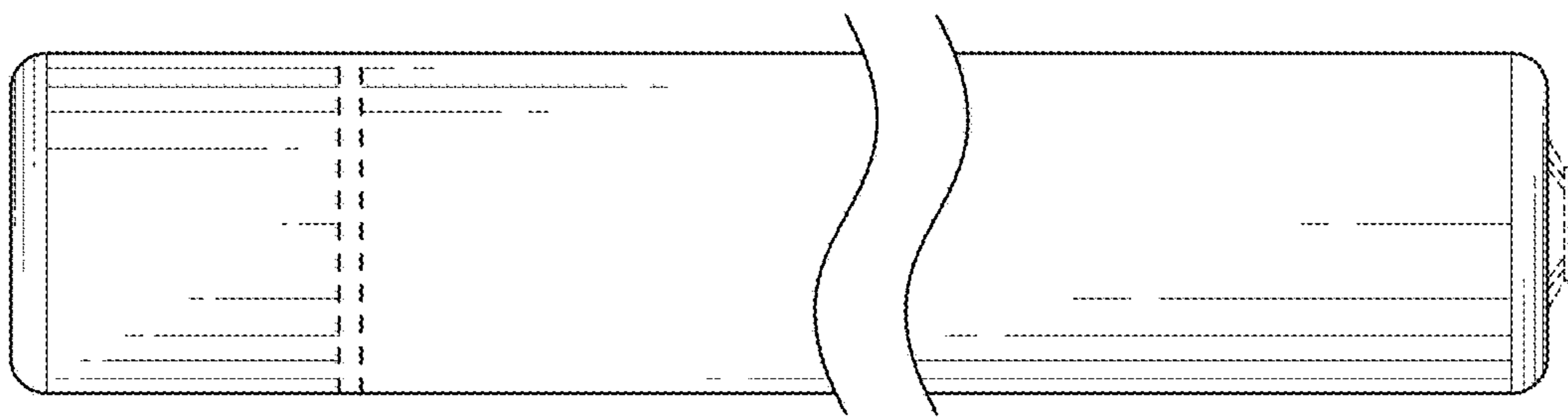


FIG. 8