



US00D816263S

(12) **United States Design Patent**  
**Chang et al.**

(10) **Patent No.:** **US D816,263 S**  
(45) **Date of Patent:** **\*\* Apr. 24, 2018**

(54) **DECORATIVE LIGHT BASE**

FOREIGN PATENT DOCUMENTS

(71) Applicant: **Gemmy Industries Corp.**, Coppell, TX (US)

CN 202675014 U 1/2013  
CN 203052473 U 7/2013

(Continued)

(72) Inventors: **Lio Yenwei Chang**, Lewisville, TX (US); **Chih-Hao Shen**, Yunlin County, TX (US)

OTHER PUBLICATIONS

Office Action dated Sep. 23, 2016 in U.S. Appl. No. 15/200,291.  
(Continued)

(73) Assignee: **Gemmy Industries Corp.**, Coppell, TX (US)

*Primary Examiner* — Brian N. Vinson

(\*\*) Term: **15 Years**

(74) *Attorney, Agent, or Firm* — Venable LLP; Steven J. Schwarz

(21) Appl. No.: **29/607,096**

(57) **CLAIM**

(22) Filed: **Jun. 9, 2017**

The ornamental design for a decorative light base, as shown and described.

**Related U.S. Application Data**

**DESCRIPTION**

(63) Continuation of application No. 29/554,097, filed on Feb. 8, 2016, now Pat. No. Des. 791,381.

(51) **LOC (11) Cl.** ..... **26-99**

(52) **U.S. Cl.**  
USPC ..... **D26/138**; D26/63

(58) **Field of Classification Search**  
USPC ..... D26/1, 24, 61, 63, 65, 85, 92, 138  
CPC ..... F21V 21/14; F21V 15/01; F21V 14/02;  
F21V 21/30; F21V 21/00; F21V 14/00;  
F21V 1/06; F21V 1/12; F21S 8/00; F21S 8/003; F21S 8/043; F21Y 2105/001  
See application file for complete search history.

FIG. 1 is a perspective view of a decorative light base according to an embodiment of the claimed design, shown in a collapsed position;  
FIG. 2 is a front elevational view of the decorative light base of FIG. 1;  
FIG. 3 is a rear elevational view of the decorative light base of FIG. 1;  
FIG. 4 is a left side elevational view of the decorative light base of FIG. 1;  
FIG. 5 is a right side elevational view of the decorative light base of FIG. 1;  
FIG. 6 is a top elevational view of the decorative light base of FIG. 1;  
FIG. 7 is a bottom elevational view of the decorative light base of FIG. 1; and,  
FIG. 8 is a perspective view of the decorative light base of FIG. 1, shown in an expanded position.  
The broken line disclosure represents portions of the light base which form no part of the claimed design.

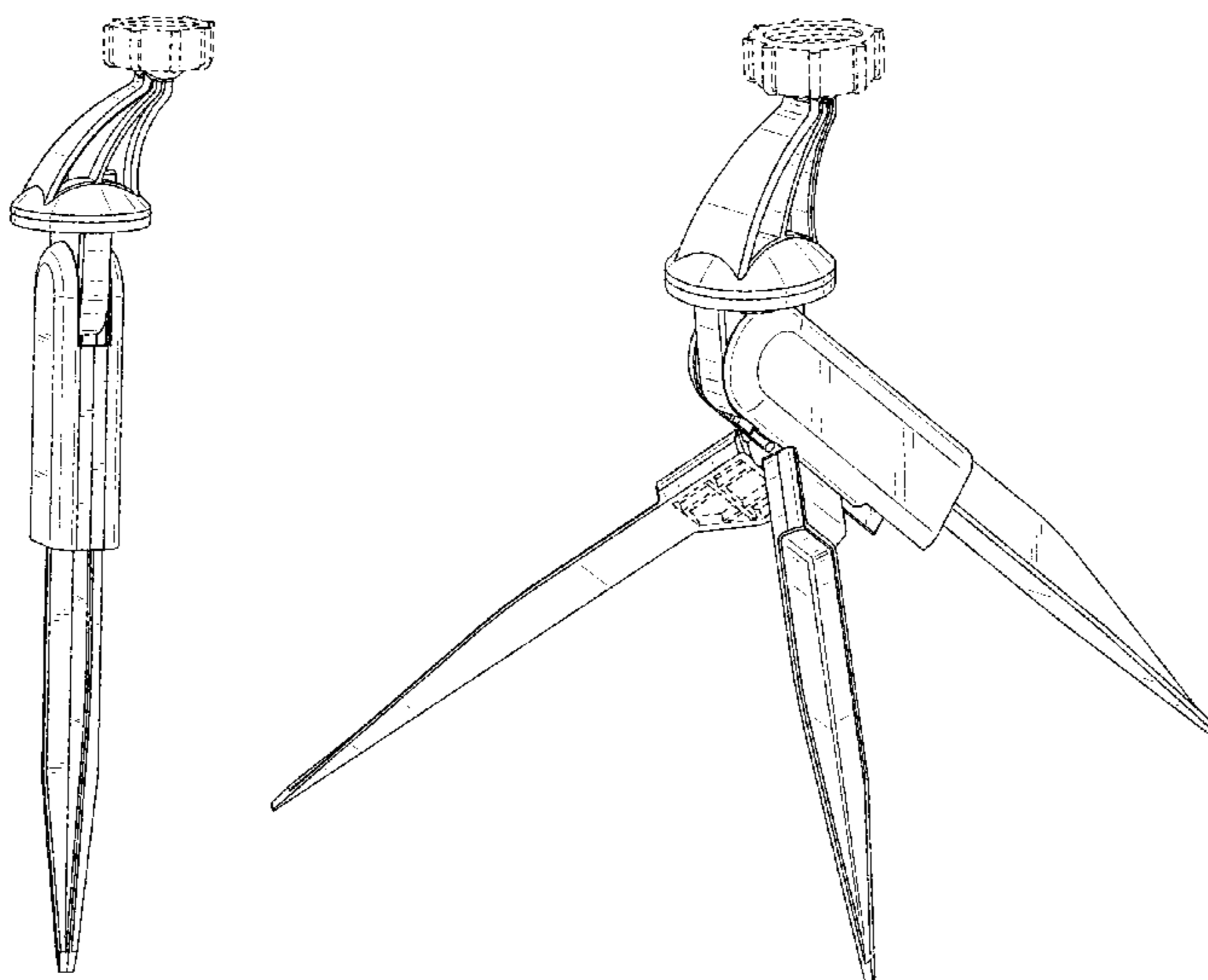
(56) **References Cited**

U.S. PATENT DOCUMENTS

2,726,571 A 12/1955 Chang  
2,959,094 A 11/1960 Kosma  
3,263,069 A 7/1966 Krucki et al.  
3,767,299 A 10/1973 Fisher  
3,949,350 A 4/1976 Smith  
4,249,331 A 2/1981 Vernon

(Continued)

**1 Claim, 8 Drawing Sheets**



(56)

References Cited

U.S. PATENT DOCUMENTS

4,307,528 A 12/1981 Dewees et al.  
 4,779,176 A 10/1988 Bomhorst  
 4,858,079 A 8/1989 Ohashi  
 4,870,548 A 9/1989 Beachy et al.  
 5,041,947 A 8/1991 Yuen et al.  
 5,178,454 A \* 1/1993 Lai ..... F21V 21/12  
 362/153  
 5,247,492 A 9/1993 Pan  
 D365,169 S \* 12/1995 Fillipp ..... D26/138  
 5,517,264 A 5/1996 Sutton  
 D377,844 S \* 2/1997 Gary ..... D26/138  
 5,688,042 A 11/1997 Madadi et al.  
 D414,579 S 9/1999 Denison et al.  
 6,011,650 A 1/2000 Parker et al.  
 6,050,697 A 4/2000 Bennington  
 D450,339 S \* 11/2001 Eason ..... D16/244  
 6,361,192 B1 3/2002 Fussell et al.  
 6,431,719 B1 8/2002 Lau et al.  
 6,474,837 B1 11/2002 Belliveau  
 6,478,453 B2 11/2002 Lammers et al.  
 6,558,022 B2 5/2003 Kawahara  
 6,584,713 B2 7/2003 Huang  
 D495,444 S \* 8/2004 Lam ..... D26/63  
 6,786,793 B1 9/2004 Wang  
 6,787,999 B2 9/2004 Stimac et al.  
 7,033,037 B2 4/2006 Chen  
 7,063,553 B1 6/2006 Mullen  
 7,182,472 B2 2/2007 Vitantonio et al.  
 D542,959 S 5/2007 Yao  
 D546,489 S \* 7/2007 Yuen ..... D26/42  
 7,296,909 B2 \* 11/2007 Van Deursen ..... F21V 21/06  
 248/177.1  
 D559,091 S 1/2008 Skorka  
 7,320,533 B1 1/2008 Beadle  
 7,329,035 B2 2/2008 Feliciano  
 D574,532 S 8/2008 Lee et al.  
 7,416,308 B2 8/2008 Hermanson et al.  
 7,458,698 B2 12/2008 Heathcock et al.  
 7,478,912 B2 1/2009 Black, Jr.  
 RE41,050 E 12/2009 Panasewicz et al.  
 7,717,570 B2 5/2010 Black, Jr.  
 7,780,317 B2 8/2010 Schroll et al.  
 D623,786 S \* 9/2010 Wessel ..... D26/49  
 D625,871 S 10/2010 Huang  
 7,887,194 B2 2/2011 Ohira  
 8,057,045 B2 11/2011 Johnson  
 8,128,274 B2 3/2012 Chien  
 D659,871 S 5/2012 Lee et al.  
 8,262,252 B2 9/2012 Bergman et al.  
 8,303,150 B2 11/2012 Chien  
 8,511,877 B2 8/2013 Chien  
 8,641,230 B1 2/2014 Jiang  
 8,721,160 B2 5/2014 Chien  
 8,884,501 B2 11/2014 Cho et al.  
 9,097,909 B2 8/2015 Halushka  
 9,157,589 B2 10/2015 Chien  
 D743,603 S \* 11/2015 Inskeep ..... D26/63  
 9,395,608 B2 7/2016 Zhang  
 D770,657 S \* 11/2016 Fang ..... D26/63  
 D773,707 S 12/2016 Lentine  
 9,719,654 B2 8/2017 Chien  
 D798,484 S \* 9/2017 Lentine ..... D26/63  
 2003/0231497 A1 12/2003 Sakata et al.  
 2004/0156117 A1 8/2004 Takaura et al.

2005/0195598 A1 9/2005 Dancs et al.  
 2005/0243560 A1 11/2005 Chen  
 2006/0044532 A1 3/2006 Black  
 2006/0176703 A1 8/2006 Cayton et al.  
 2007/0008730 A1 1/2007 Hsieh  
 2007/0097681 A1 5/2007 Chich et al.  
 2008/0165527 A1 7/2008 Vanderschuit  
 2008/0304289 A1 12/2008 Chien  
 2009/0027900 A1 1/2009 Janos et al.  
 2009/0122548 A1 5/2009 Dalsgaard  
 2009/0185377 A1 7/2009 Johnson  
 2009/0268466 A1 10/2009 Allegri  
 2010/0091491 A1 4/2010 Jiang et al.  
 2011/0051097 A1 3/2011 Lin  
 2011/0116051 A1 5/2011 Young et al.  
 2011/0194292 A1 8/2011 Tsai  
 2011/0280015 A1 11/2011 Li et al.  
 2011/0286200 A1 11/2011 Iimura et al.  
 2012/0147608 A1 6/2012 Kawagoe et al.  
 2012/0147609 A1 6/2012 Black et al.  
 2012/0182743 A1 7/2012 Chou  
 2012/0218464 A1 8/2012 Ben-Moshe et al.  
 2012/0257418 A1 10/2012 Fields et al.  
 2012/0300429 A1 11/2012 Jin  
 2013/0094193 A1 4/2013 Baxter et al.  
 2013/0135866 A1 5/2013 Souvay et al.  
 2014/0001507 A1 1/2014 Steppel et al.  
 2014/0056011 A1 2/2014 Clement et al.  
 2015/0036354 A1 2/2015 Adams et al.  
 2015/0070936 A1 3/2015 Chien  
 2015/0131288 A1 5/2015 Zhang  
 2016/0215961 A1 7/2016 Kjeldsen et al.

FOREIGN PATENT DOCUMENTS

CN 203070724 U 7/2013  
 CN 103292217 A 9/2013  
 DK 2013 00566 9/2014  
 DK 2013 70677 9/2014  
 DK 2013 70679 9/2014  
 EP 2146139 A1 1/2010  
 EP 1428415 B1 7/2012  
 WO 03/026358 A1 3/2003

OTHER PUBLICATIONS

Office Action dated Nov. 13, 2015 in U.S. Appl. No. 14/145,512.  
 Office Action dated Mar. 9, 2017 in U.S. Appl. No. 15/341,730.  
 Office Action dated Feb. 26, 2015 in U.S. Appl. No. 14/145,512.  
 Office Action dated Apr. 9, 2015 in U.S. Appl. No. 14/098,594.  
 Notice of Allowance dated Mar. 29, 2017 in Design U.S. Appl. No. 29/554,097.  
 Notice of Allowance dated Feb. 27, 2015 in U.S. Appl. No. 14/079,628.  
 Office Action issued in U.S. Appl. No. 15/341,730 dated Nov. 29, 2017.  
 "TSSS LED RGB Crystal Light Rotating Rainbow Color Effect Stage Disco DJ Wedding Family Birthday Children Celebration Event Home Party Lighting Effect," Amazon.com, Retrieved from the Internet on Dec. 19, 2017, 8 pages, URL: [https://www.amazon.com/gp/product/B00B1YOENI/ref=oh\\_aui\\_detailpage\\_o00\\_s00?te=UTF88.psc=1](https://www.amazon.com/gp/product/B00B1YOENI/ref=oh_aui_detailpage_o00_s00?te=UTF88.psc=1).  
 Notice of Allowance issued in U.S. Appl. No. 15/018,458, dated Oct. 18, 2017.

\* cited by examiner

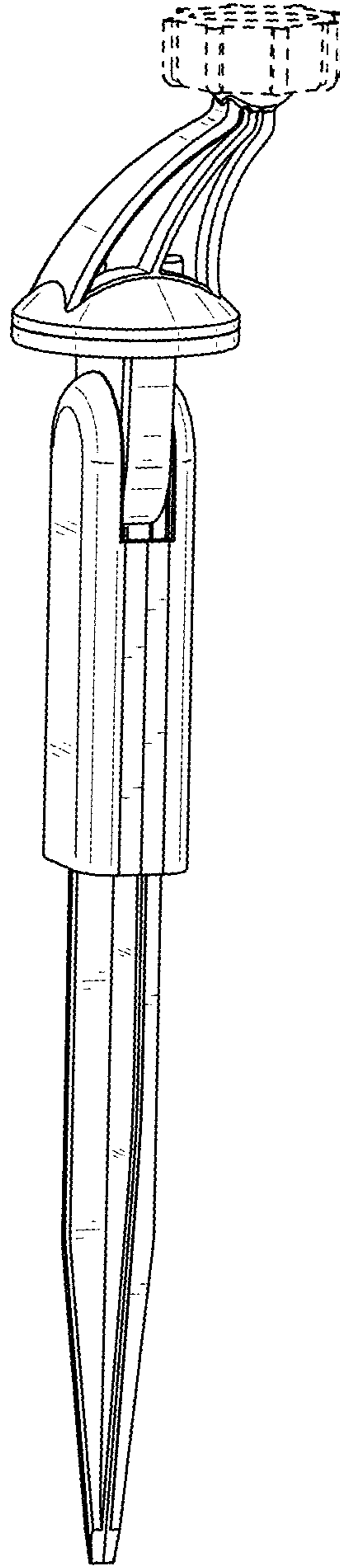


FIG. 1

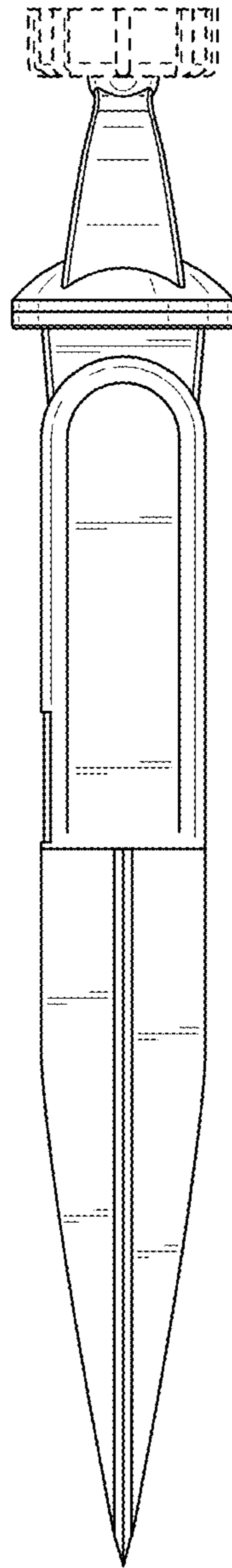


FIG. 2

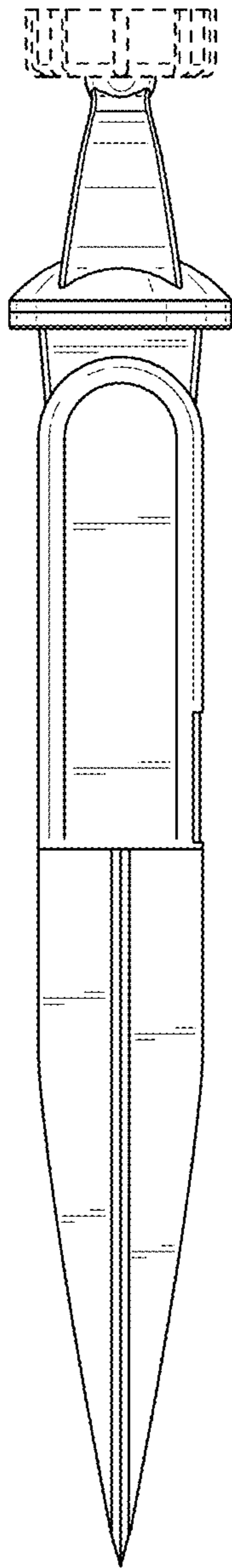


FIG. 3

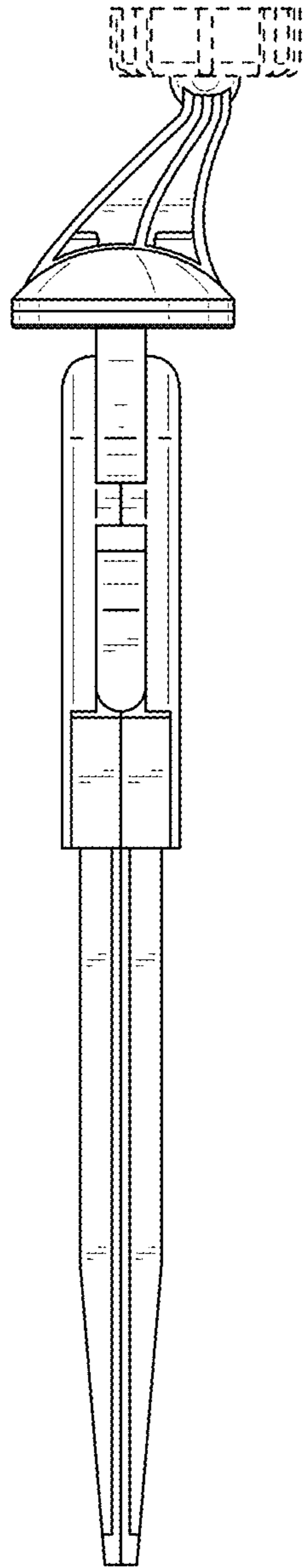


FIG. 4

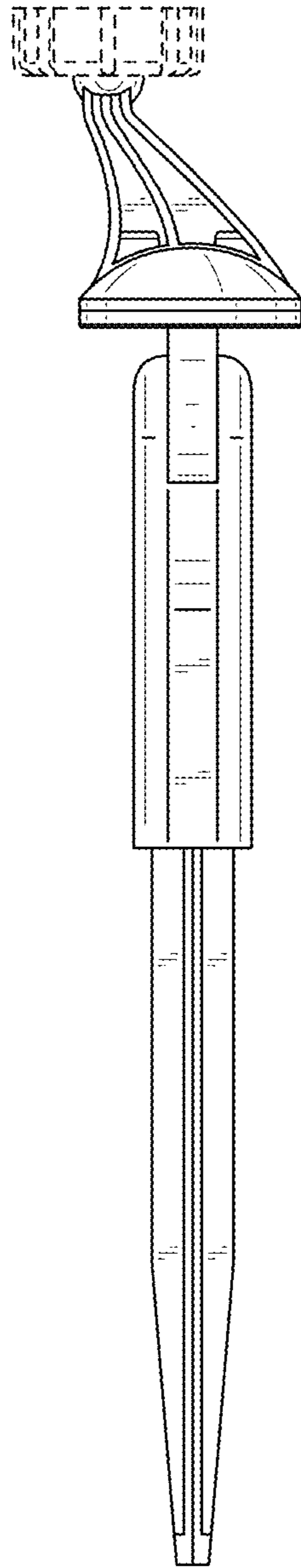


FIG. 5

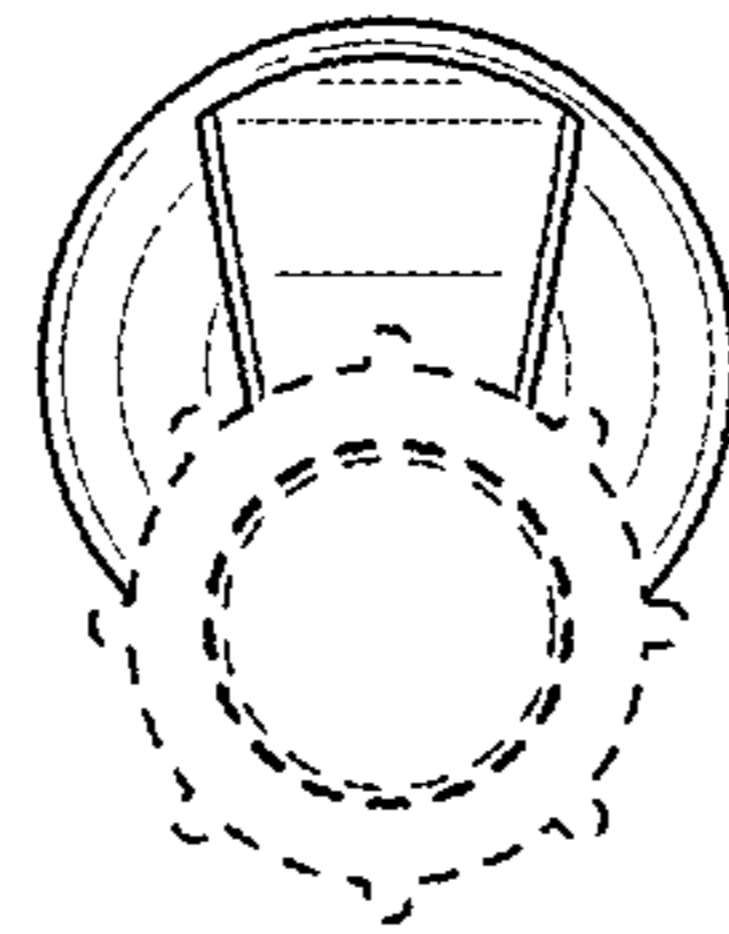


FIG. 6



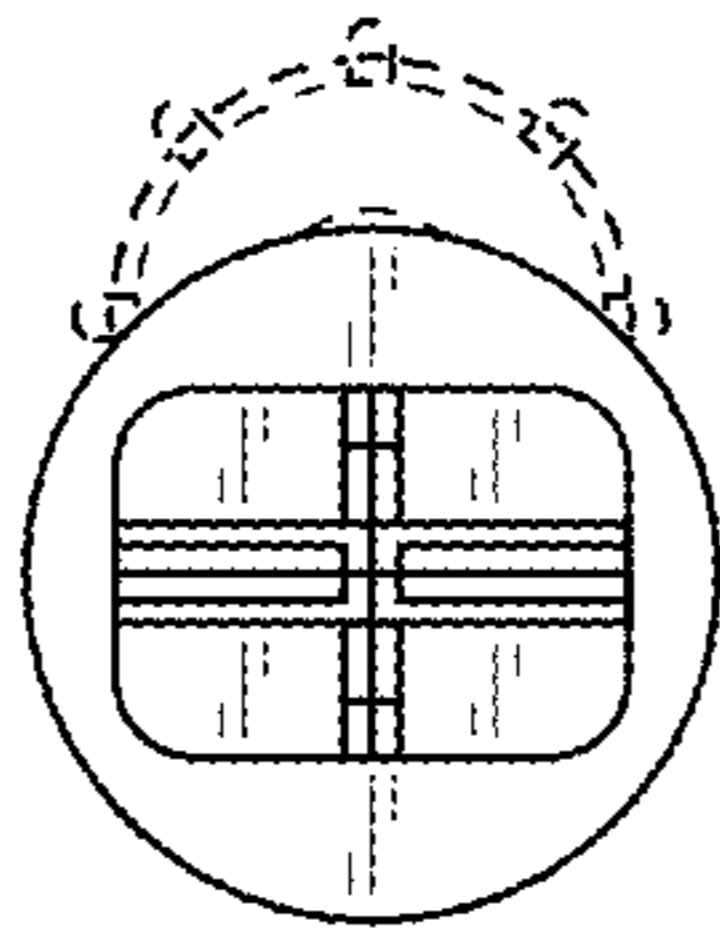


FIG. 7

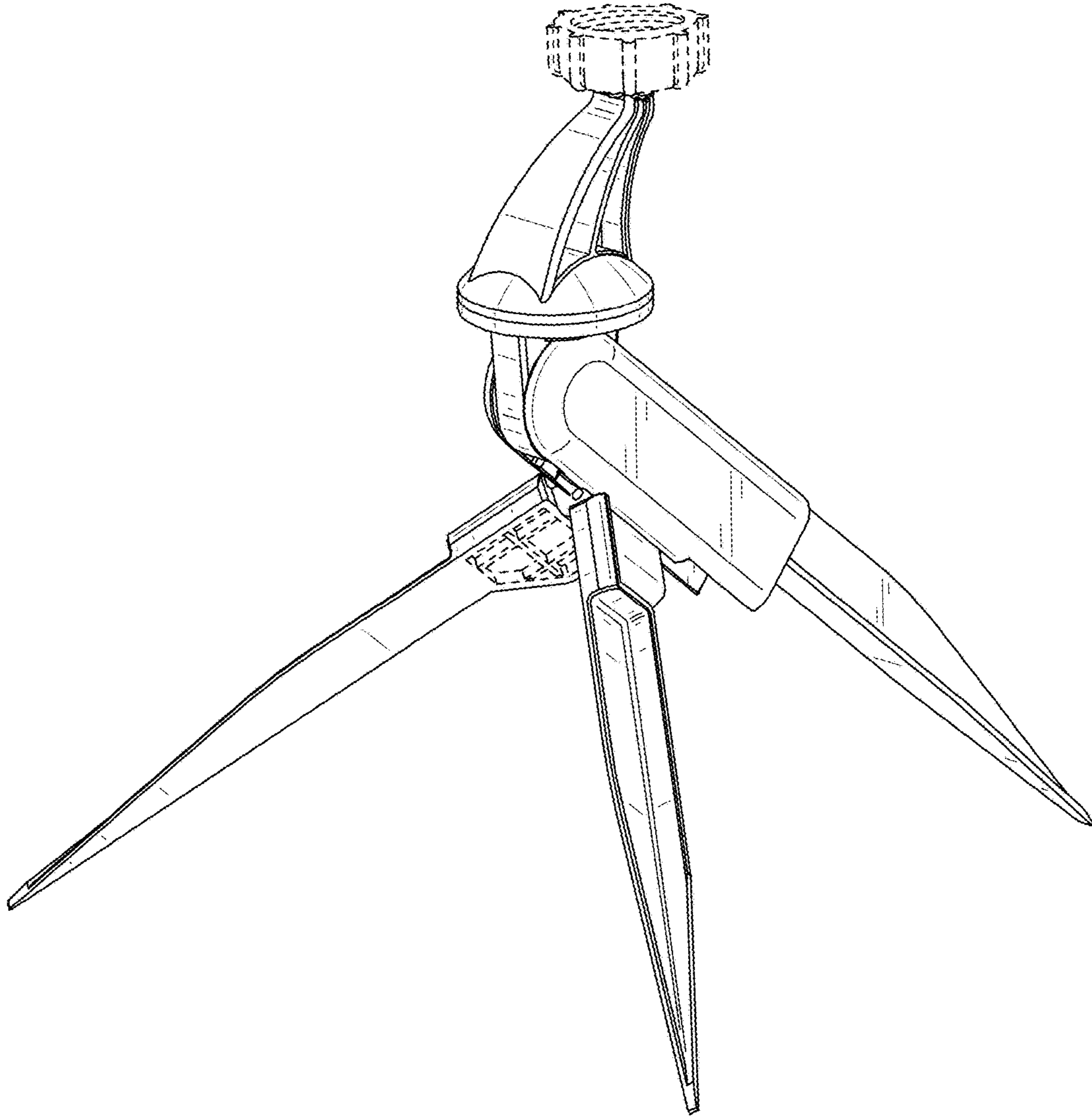


FIG. 8

UNITED STATES PATENT AND TRADEMARK OFFICE  
**CERTIFICATE OF CORRECTION**

PATENT NO. : D816,263 S  
APPLICATION NO. : 29/607096  
DATED : April 24, 2018  
INVENTOR(S) : Lio Yenwei Chang et al.

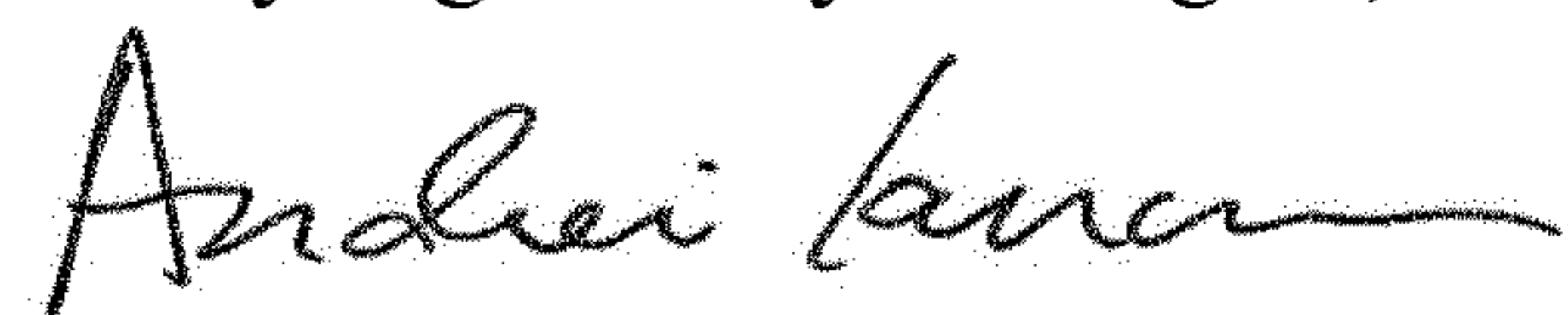
Page 1 of 1

It is certified that error appears in the above-identified patent and that said Letters Patent is hereby corrected as shown below:

On the Title Page

(72) Inventors: “**Lio Yenwei Chang**, Lewisville, TX (US); **Chih-Hao Shen**, Yunlin County, TX (US)” should be -- **Lio Yenwei Chang**, Lewisville, TX (US); **Chih-Hao Shen**, Yunlin County, Taiwan --

Signed and Sealed this  
Twenty-eighth Day of August, 2018



Andrei Iancu  
*Director of the United States Patent and Trademark Office*