



US00D816262S

(12) **United States Design Patent**
Xu et al.

(10) **Patent No.:** **US D816,262 S**
(45) **Date of Patent:** **** Apr. 24, 2018**

(54) **LED CANDLE LENS**
(71) Applicant: **PHILIPS LIGHTING HOLDING B.V., Eindhoven (NL)**
(72) Inventors: **Phoenix Yf Xu, Shanghai (CN); Zhenning Yao, Shanghai (CN); Tommy R Chen, Shanghai (CN)**
(73) Assignee: **PHILIPS LIGHTING HOLDING B.V., Eindhoven (NL)**
(**) Term: **15 Years**
(21) Appl. No.: **35/500,863**
(22) Filed: **Oct. 26, 2015**
(80) **Hague Agreement Data**
Int. Filing Date: **Oct. 26, 2015**
Int. Reg. No.: **DM/088056**
Int. Reg. Date: **Oct. 26, 2015**
Int. Reg. Pub. Date: **Apr. 29, 2016**

(30) **Foreign Application Priority Data**
May 15, 2015 (EM) 002701110-0001
(51) **LOC (11) Cl.** **26-05**
(52) **U.S. Cl.**
USPC **D26/124**
(58) **Field of Classification Search**
USPC D26/6, 118, 120, 123, 124, 128, 28, 24
CPC F21V 7/00; F21V 7/0008; F21V 5/00
See application file for complete search history.

(56) **References Cited**
U.S. PATENT DOCUMENTS
D38,134 S * 7/1906 Rosenbluth D26/24
D124,076 S * 12/1940 Levy 362/225
D279,715 S * 7/1985 Tucholski D26/28

D455,853 S * 4/2002 Henry B63B 45/04
D26/28
6,972,439 B1 * 12/2005 Kim H01L 33/54
257/100
D555,822 S * 11/2007 Ward D26/118
D570,032 S * 5/2008 Lehman D26/118
D570,034 S * 5/2008 Westerheide D26/118
D622,899 S * 8/2010 Chen D26/124
D625,462 S * 10/2010 Ku D26/128
D671,673 S * 11/2012 Young D26/118
D725,818 S * 3/2015 Yao D26/118
D782,102 S * 3/2017 Rice D26/124
2005/0201118 A1 * 9/2005 Godo F21V 5/04
362/555
2006/0067079 A1 * 3/2006 Noh F21V 7/0091
362/327
2007/0030572 A1 * 2/2007 Lee G02B 19/0071
359/642
2012/0113392 A1 * 5/2012 Heacock A61B 3/117
351/219
2015/0070937 A1 * 3/2015 Chien F21V 5/00
362/644

* cited by examiner

Primary Examiner — Sheryl Lane
Assistant Examiner — Nicole C Shiflet

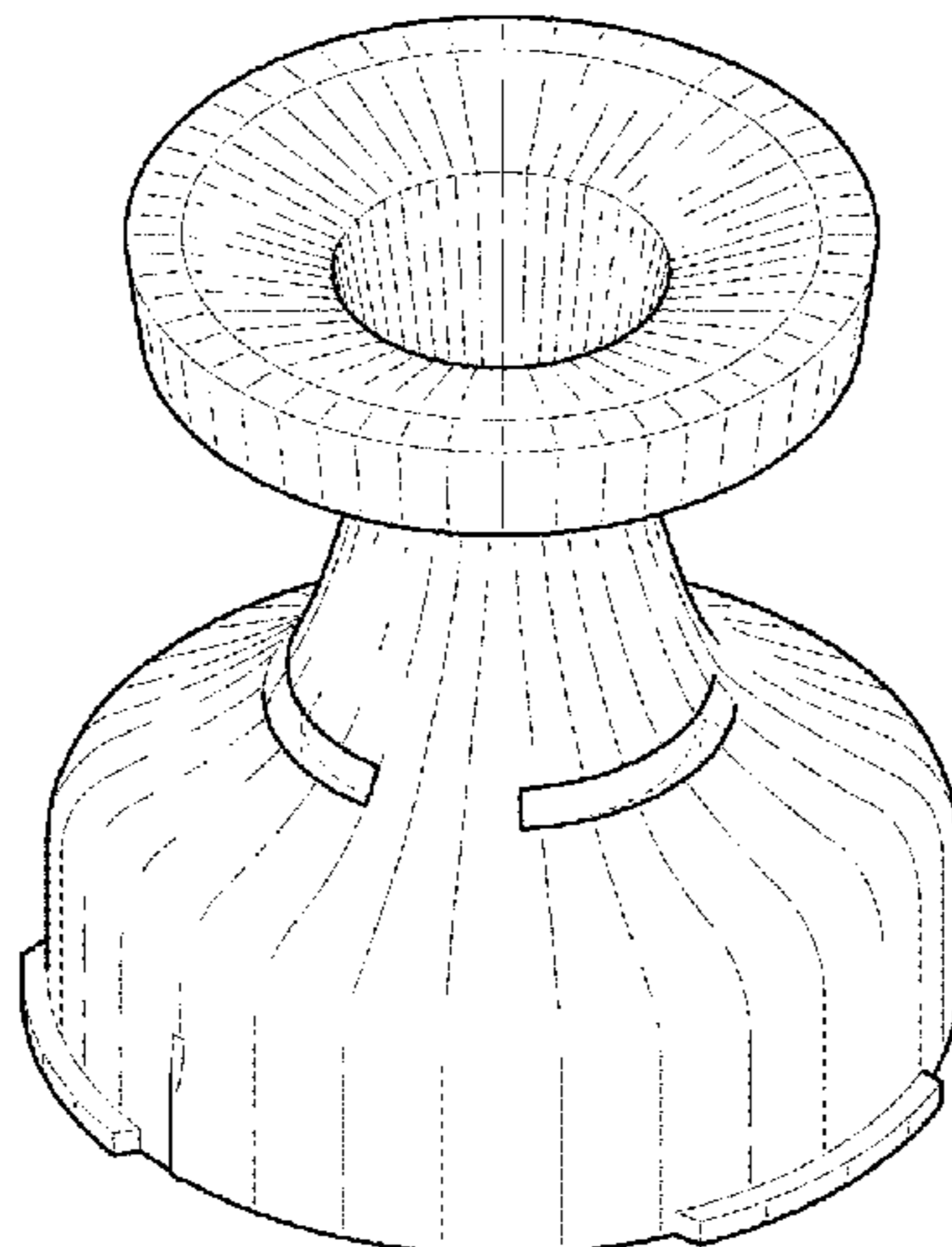
(57) **CLAIM**

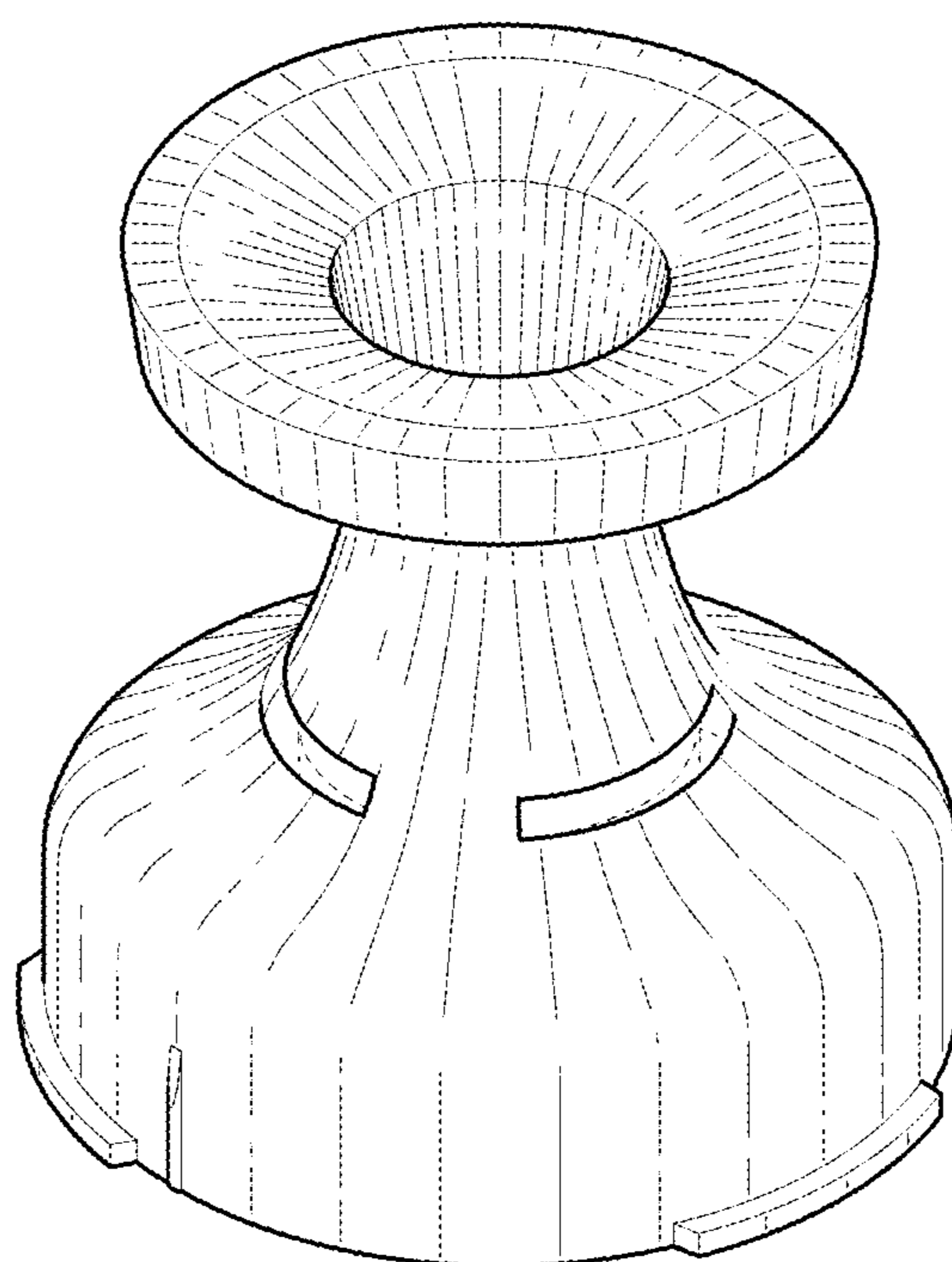
The ornamental design for a LED candle lens, as shown and described.

DESCRIPTION

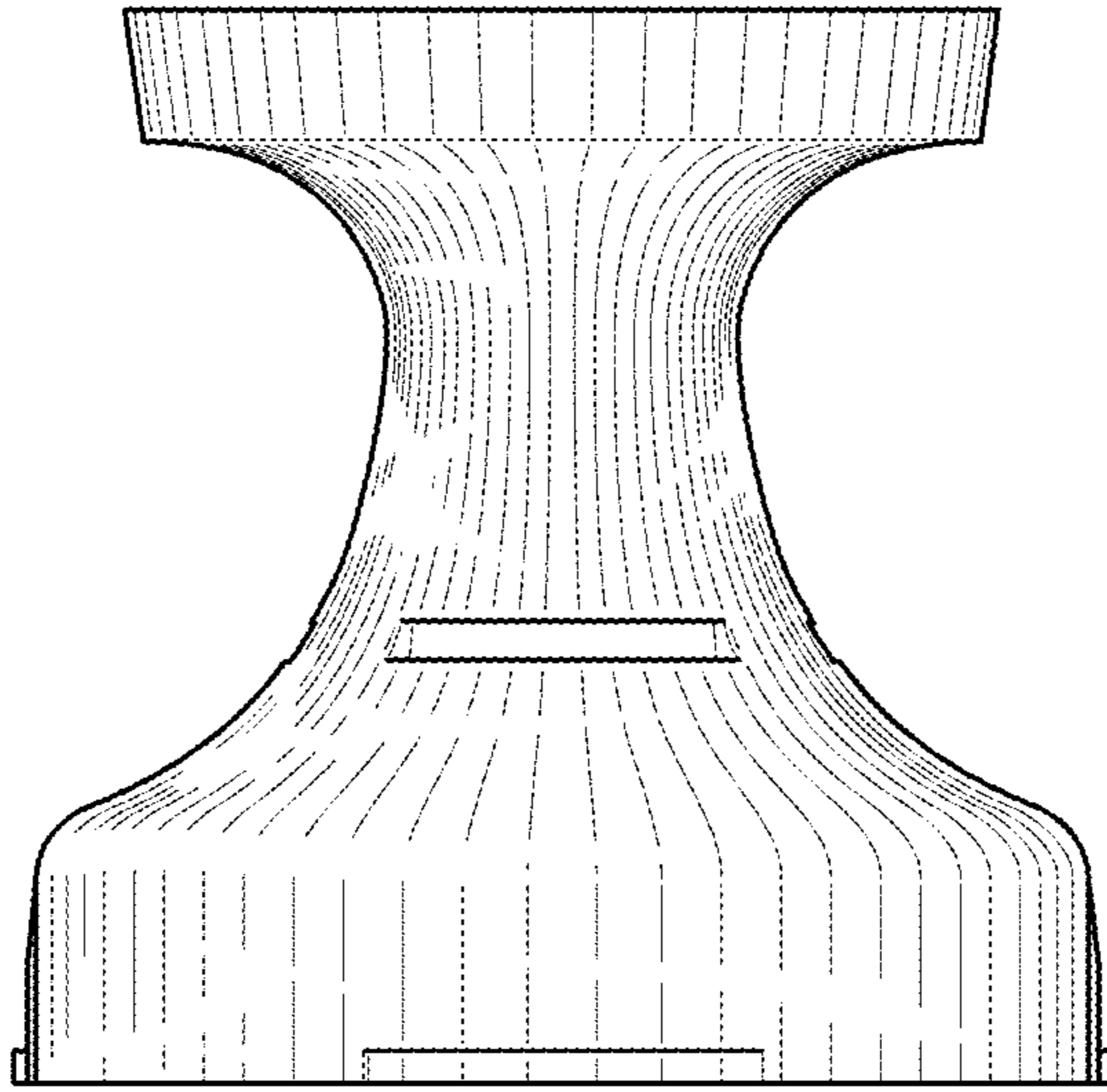
1. LED Candle lens
1.1 is a front perspective view showing of a LED candle lens showing our new design;
1.2 is a front elevational view thereof;
1.3 is a rear elevational view thereof;
1.4 is a left side elevational view thereof;
1.5 is a right side elevational view thereof;
1.6 is a top plan view thereof;
1.7 is a bottom plan view thereof.
The broken lines showing portions of the article form no part of the claimed design.

1 Claim, 4 Drawing Sheets

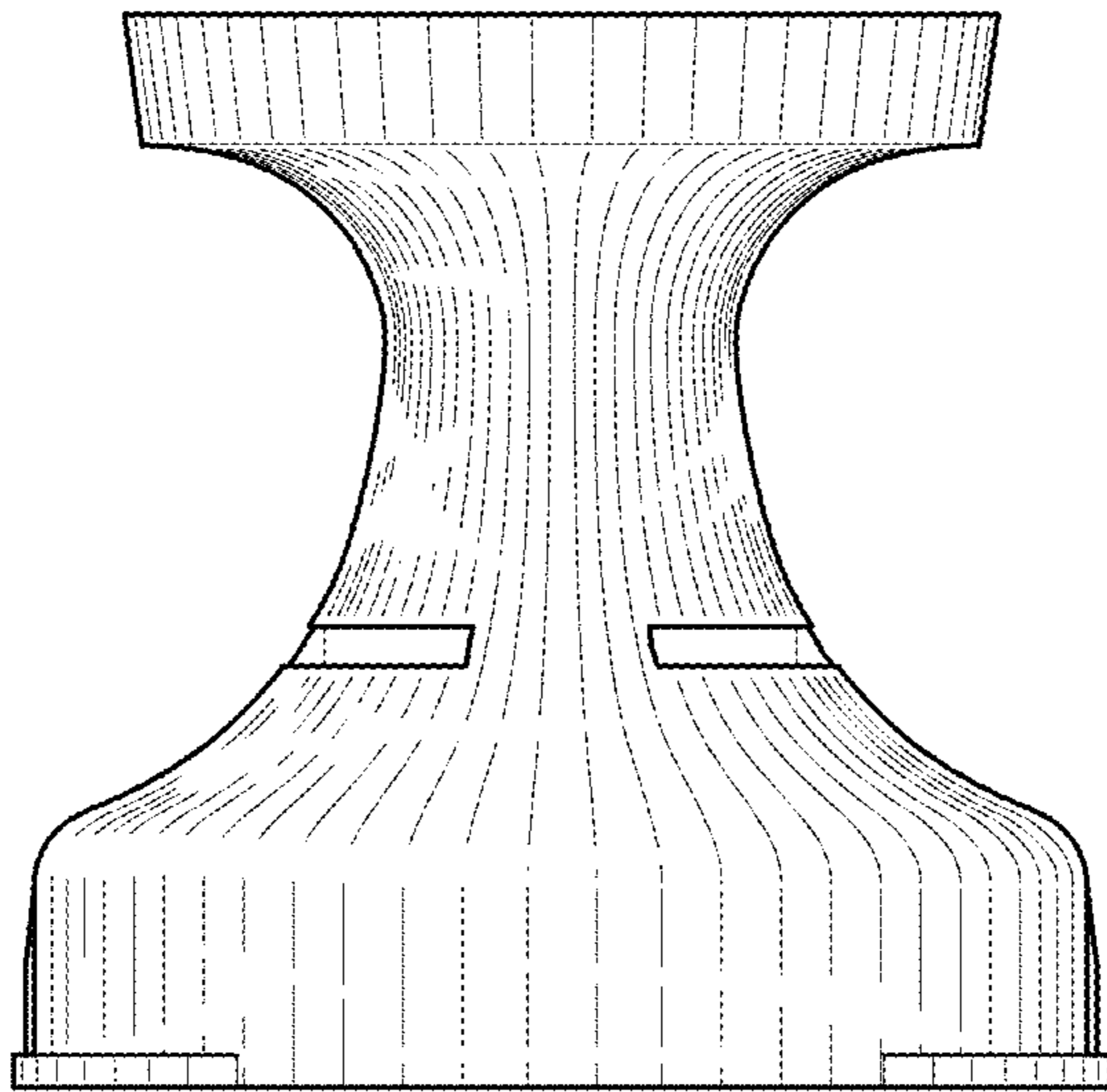




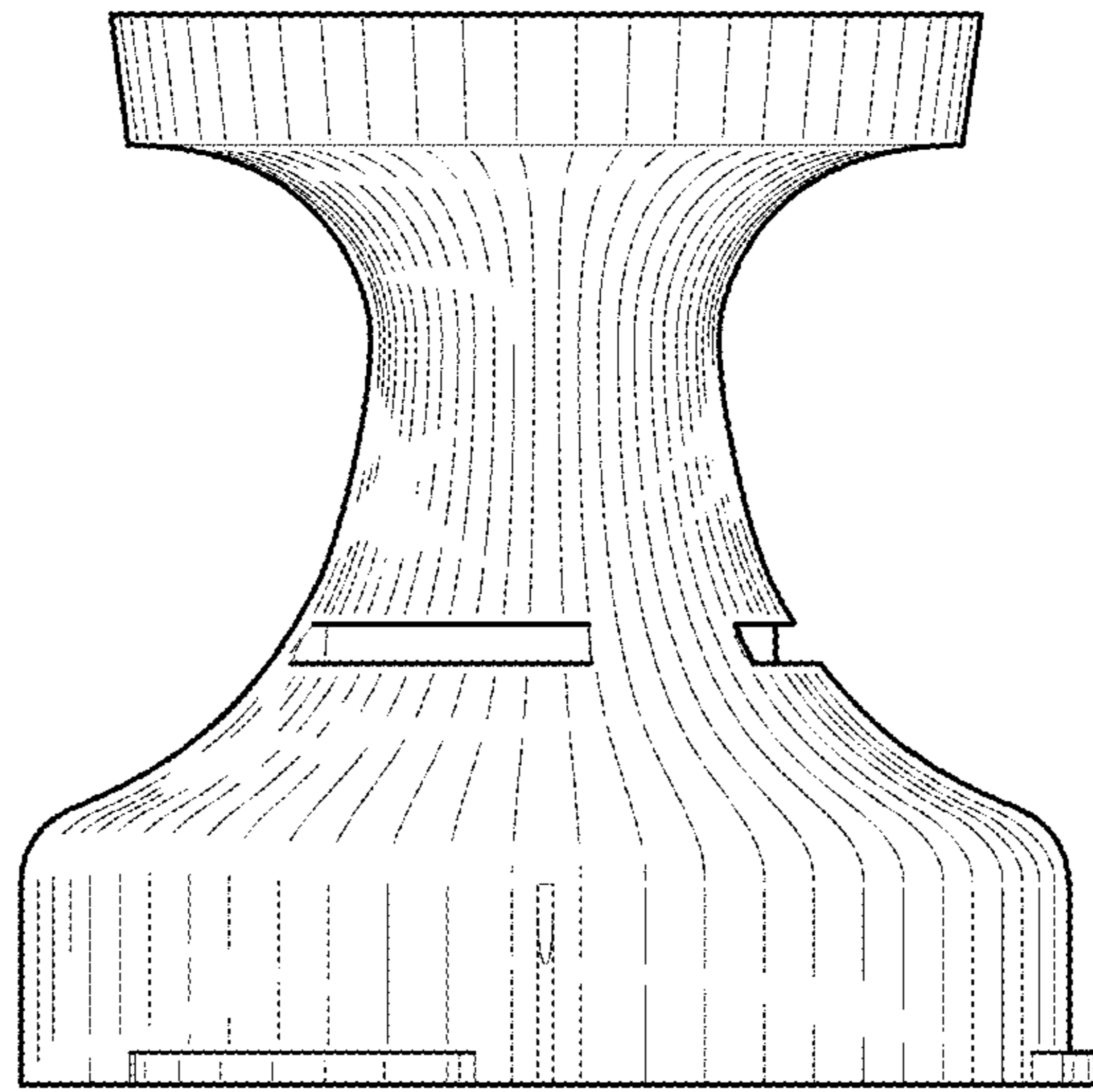
1.1



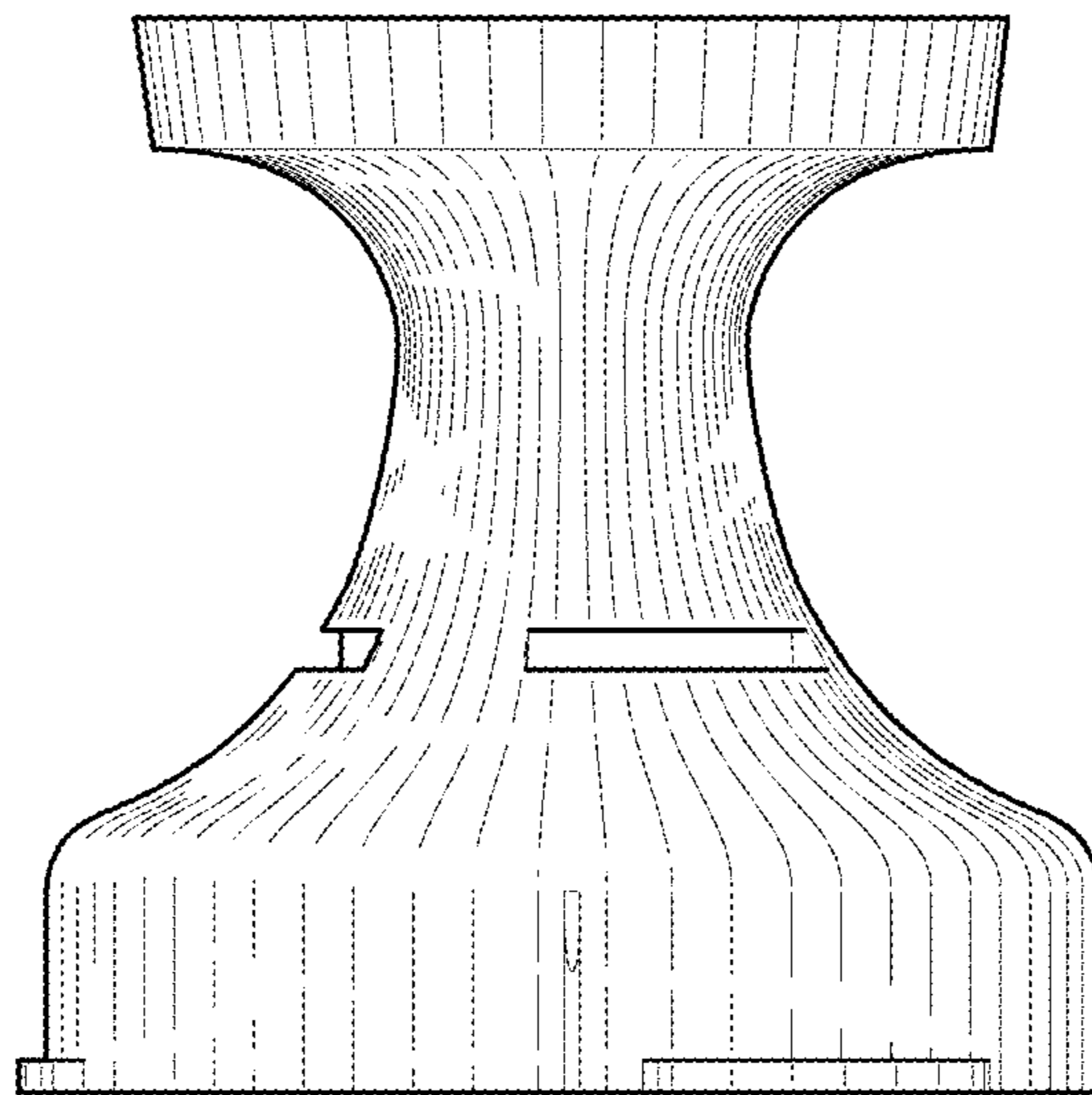
1.2



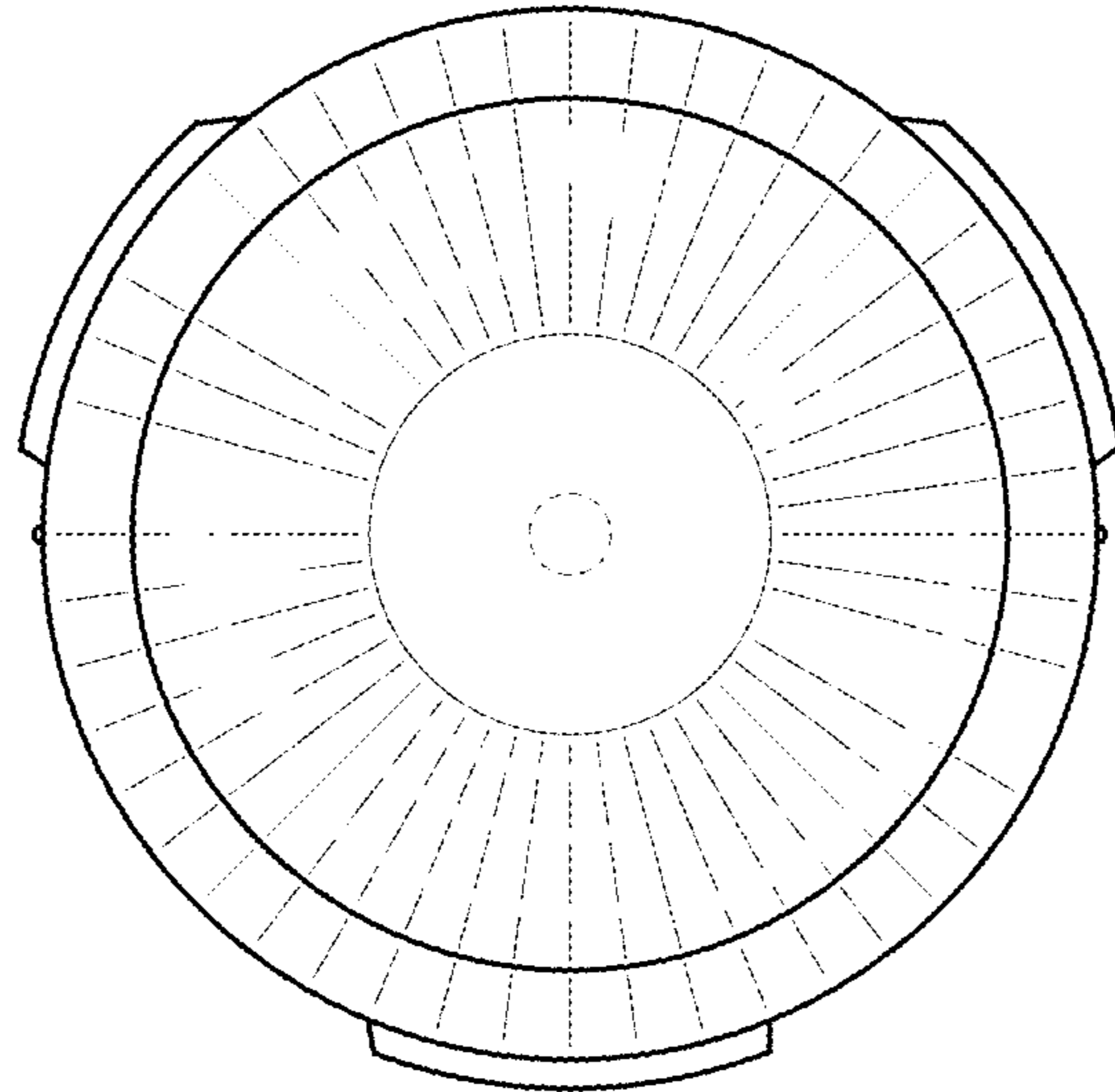
1.3



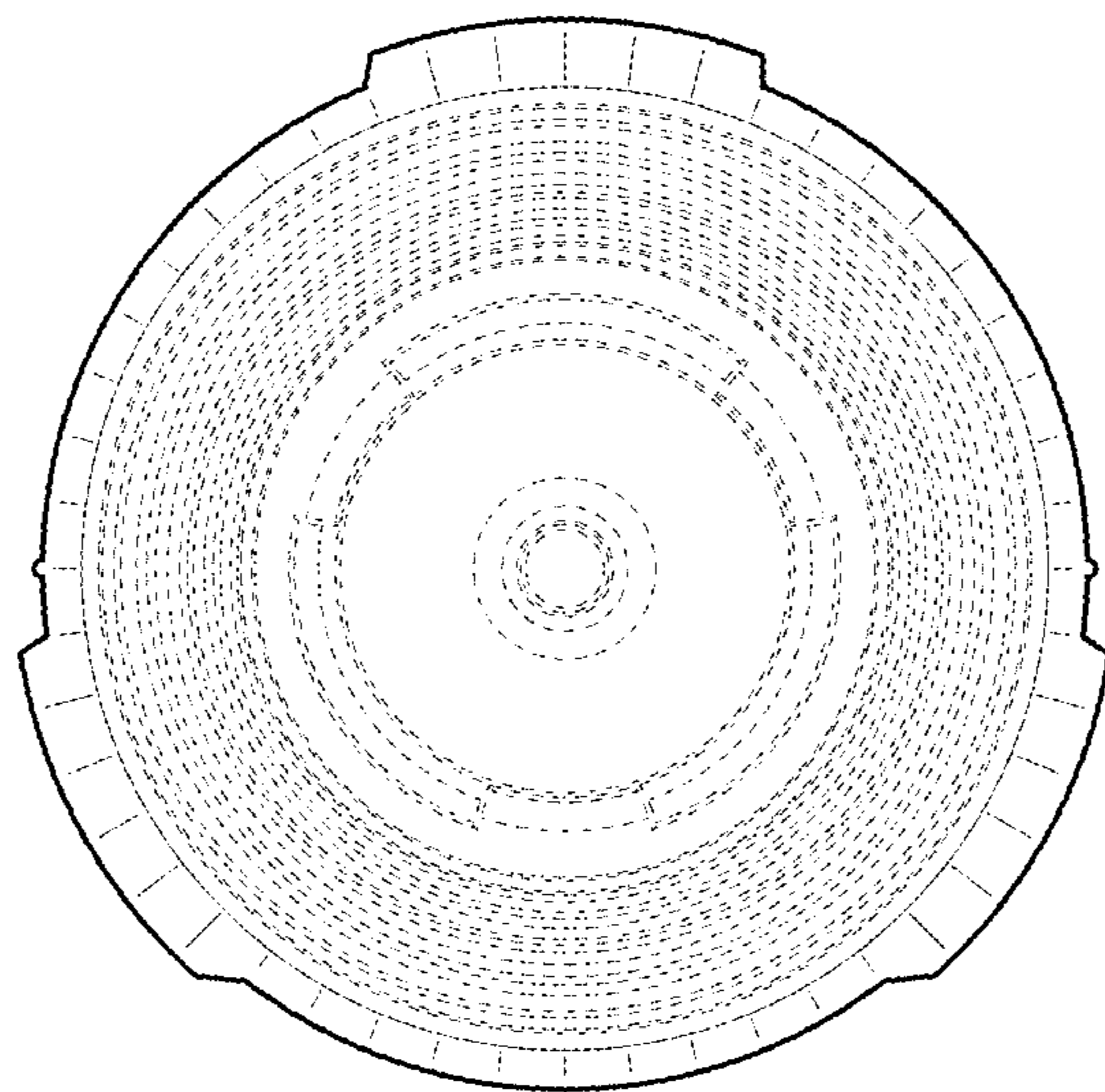
1.4



1.5



1.6



1.7