



US00D816260S

(12) **United States Design Patent**
Roth

(10) **Patent No.:** **US D816,260 S**

(45) **Date of Patent:** **** *Apr. 24, 2018**

(54) **COVER FOR RECESSED LIGHT FIXTURE**

D530,441 S * 10/2006 Cale D26/125
D728,848 S * 5/2015 Reyes D26/118
D743,091 S * 11/2015 Degrandis D26/122

(71) Applicant: **Barry Roth**, Miami, FL (US)

* cited by examiner

(72) Inventor: **Barry Roth**, Miami, FL (US)

Primary Examiner — Brian N Vinson

(73) Assignee: **Erin Roth**, Miami, FL (US)

(*) Notice: This patent is subject to a terminal disclaimer.

(57) **CLAIM**

The ornamental design for a cover for recessed light fixture, as shown and described.

(**) Term: **15 Years**

DESCRIPTION

(21) Appl. No.: **29/570,389**

FIG. 1 is a side view of a cover for recessed light fixture, showing the new design.

(22) Filed: **Jul. 7, 2016**

FIG. 2 is a front view thereof;

(51) **LOC (11) Cl.** **26-99**

FIG. 3 is another side view thereof;

(52) **U.S. Cl.**

FIG. 4 is a rear view thereof;

USPC **D26/118**

FIG. 5 is a top view thereof;

(58) **Field of Classification Search**

FIG. 6 is a bottom view thereof;

USPC D26/113, 118, 119, 120, 121, 122, 125

FIG. 7 is a perspective view thereof; and,

CPC F21S 8/00; F21S 8/04; F21V 7/00; F21V

FIG. 8 is another perspective view thereof, wherein the cover is positioned below an example embodiment of a recessed light fixture for illustrative purposes.

7/005

See application file for complete search history.

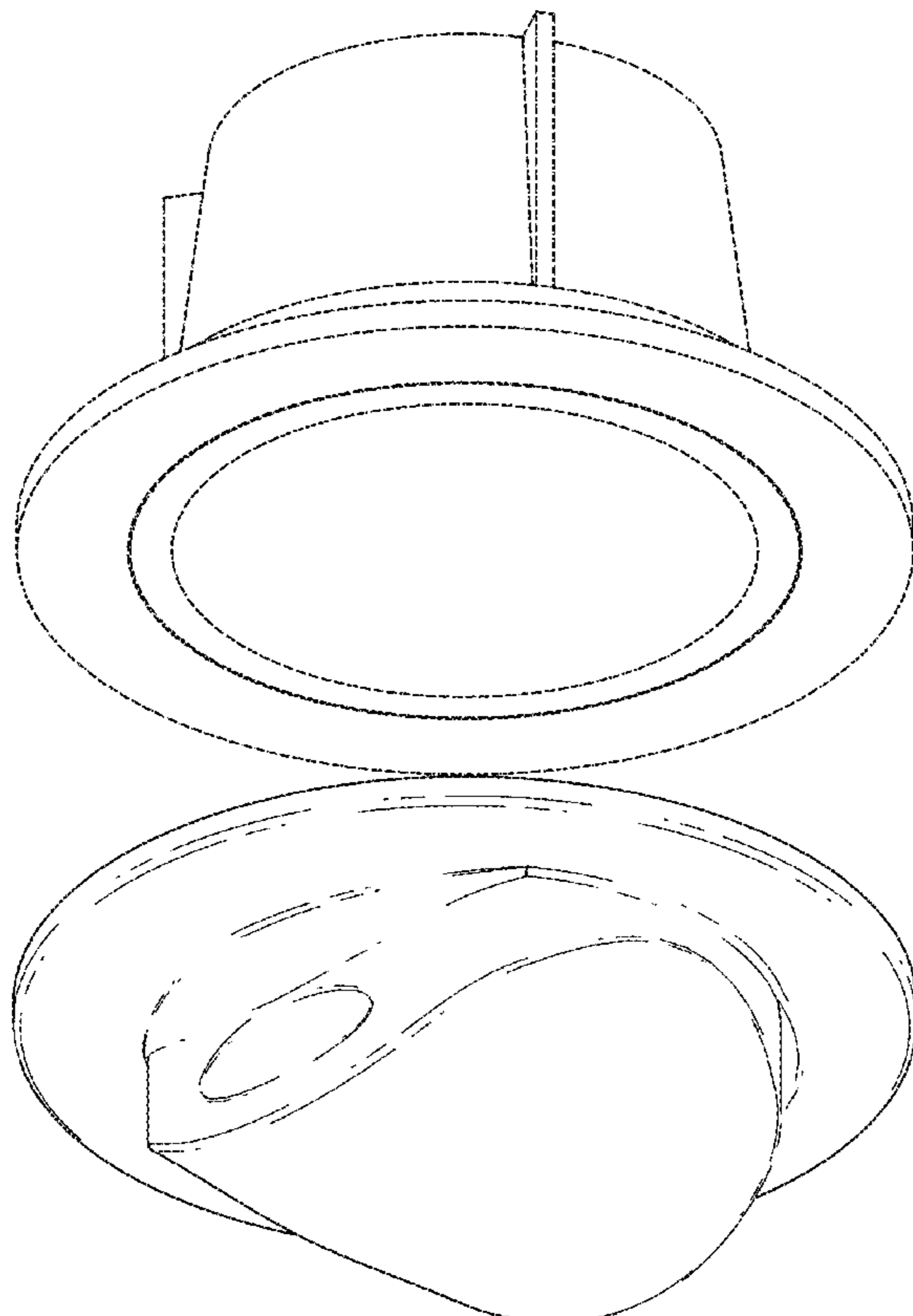
The short broken lines in the drawings illustrate portions of the cover for recessed light fixture, which form no part of the claimed design.

(56) **References Cited**

U.S. PATENT DOCUMENTS

D287,890 S * 1/1987 De Vos D26/118

1 Claim, 8 Drawing Sheets



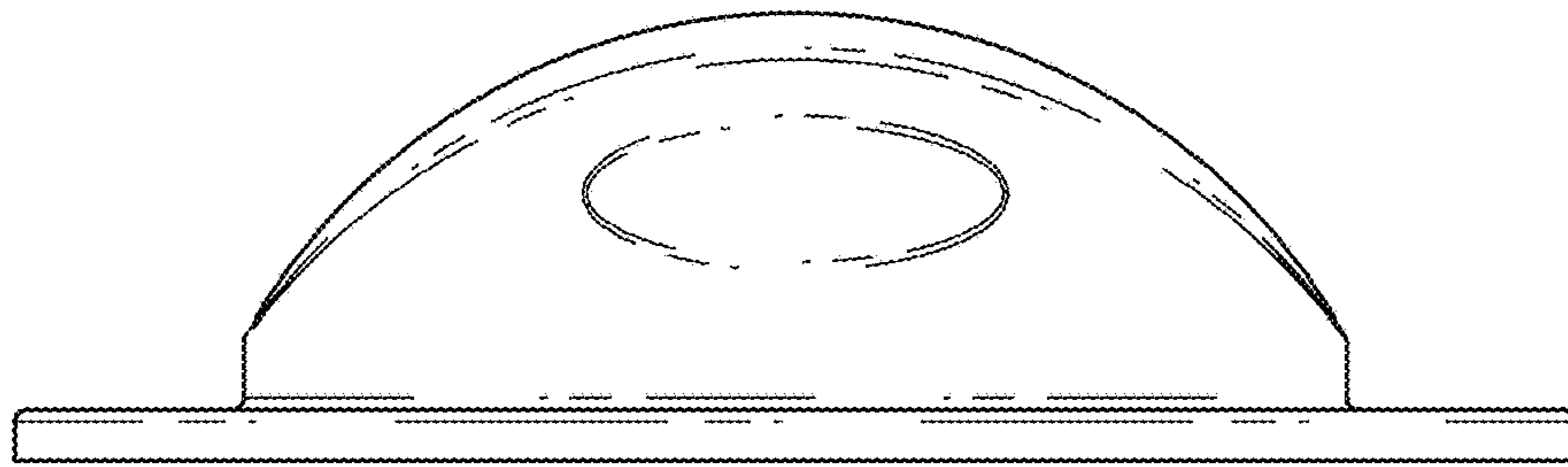


Fig 1.

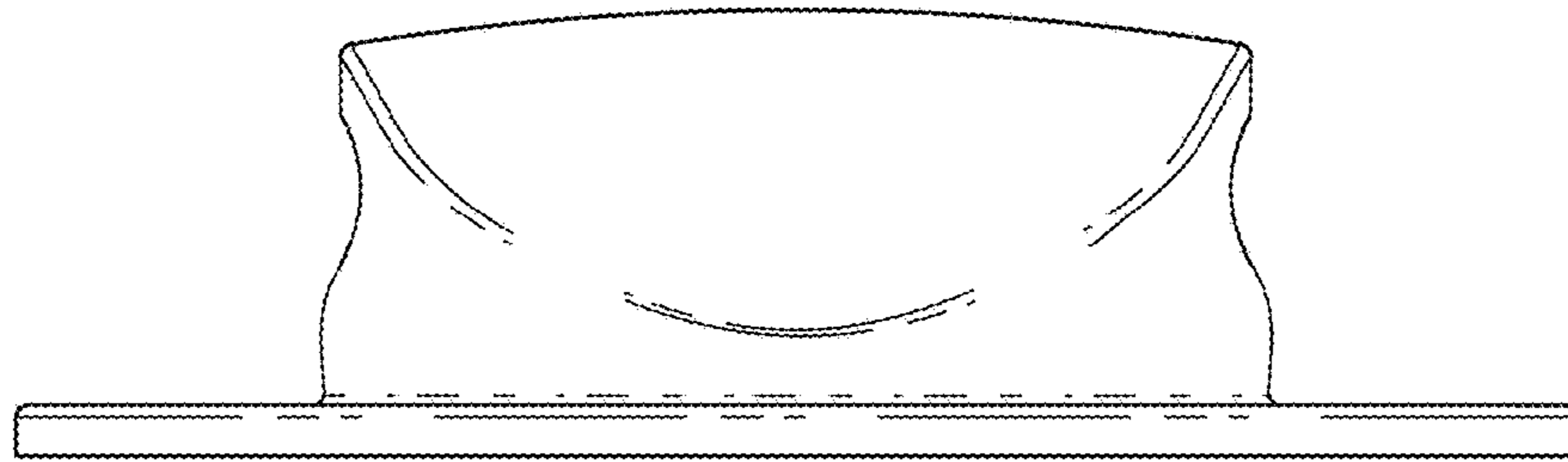


Fig 2.

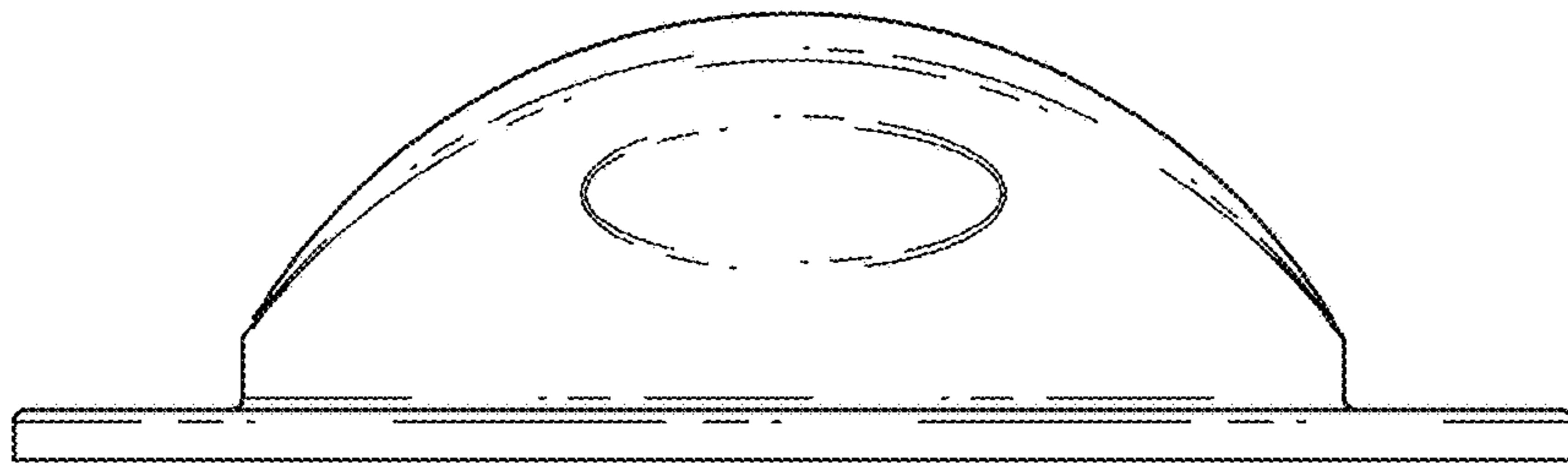


Fig 3.

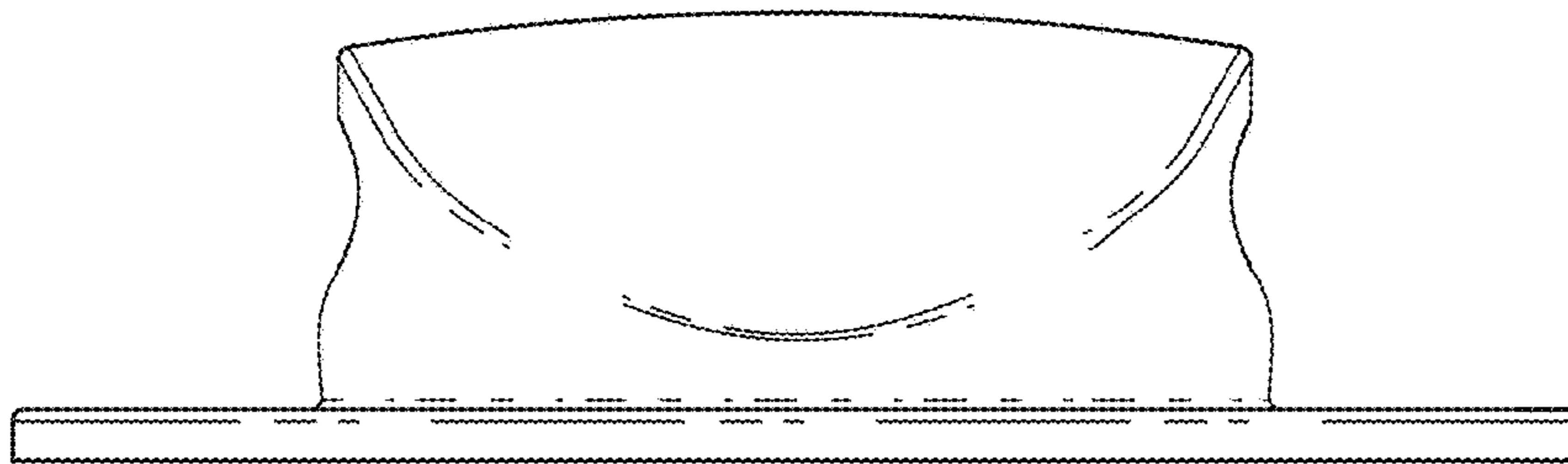


Fig 4.

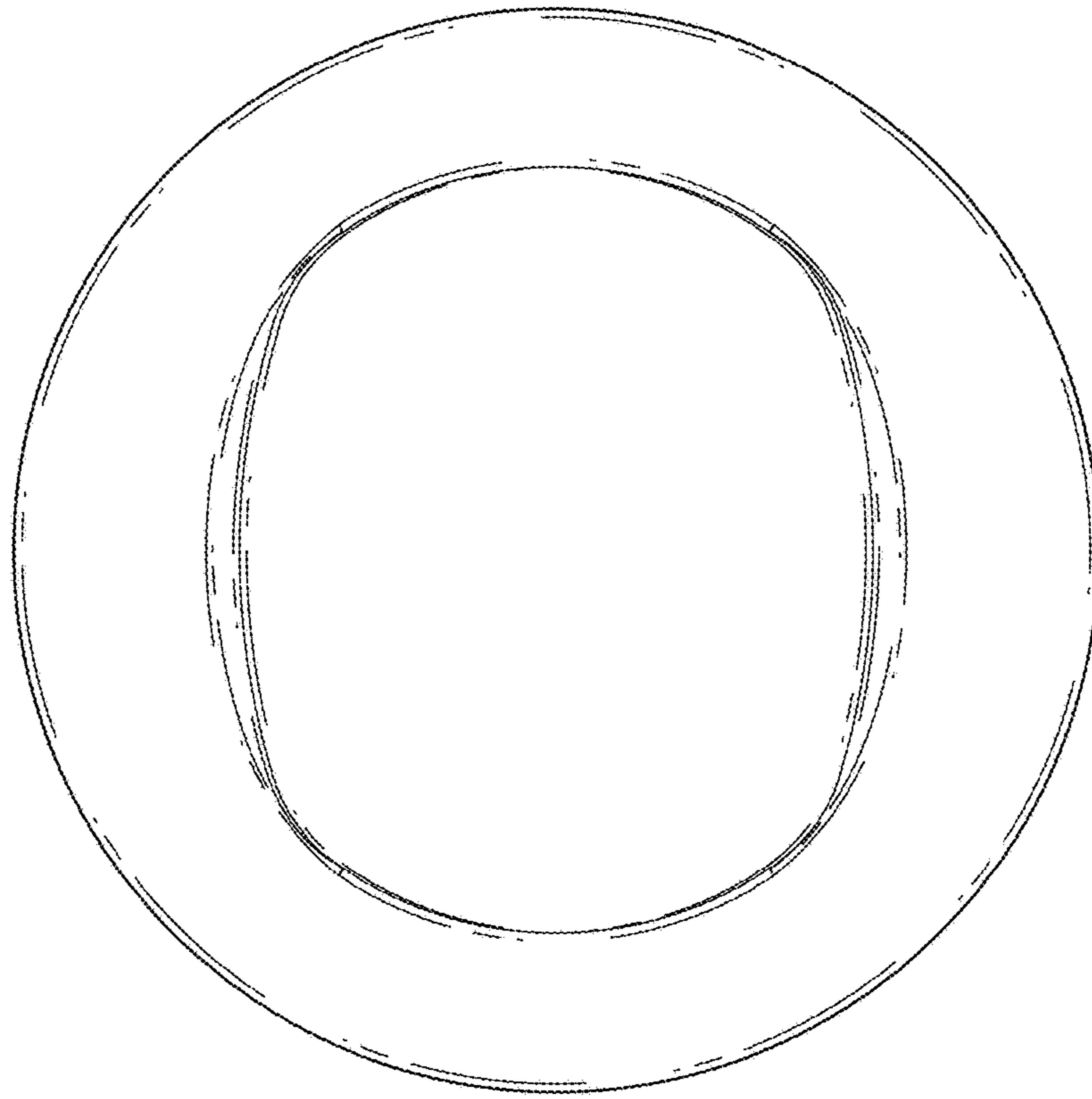


Fig 5.

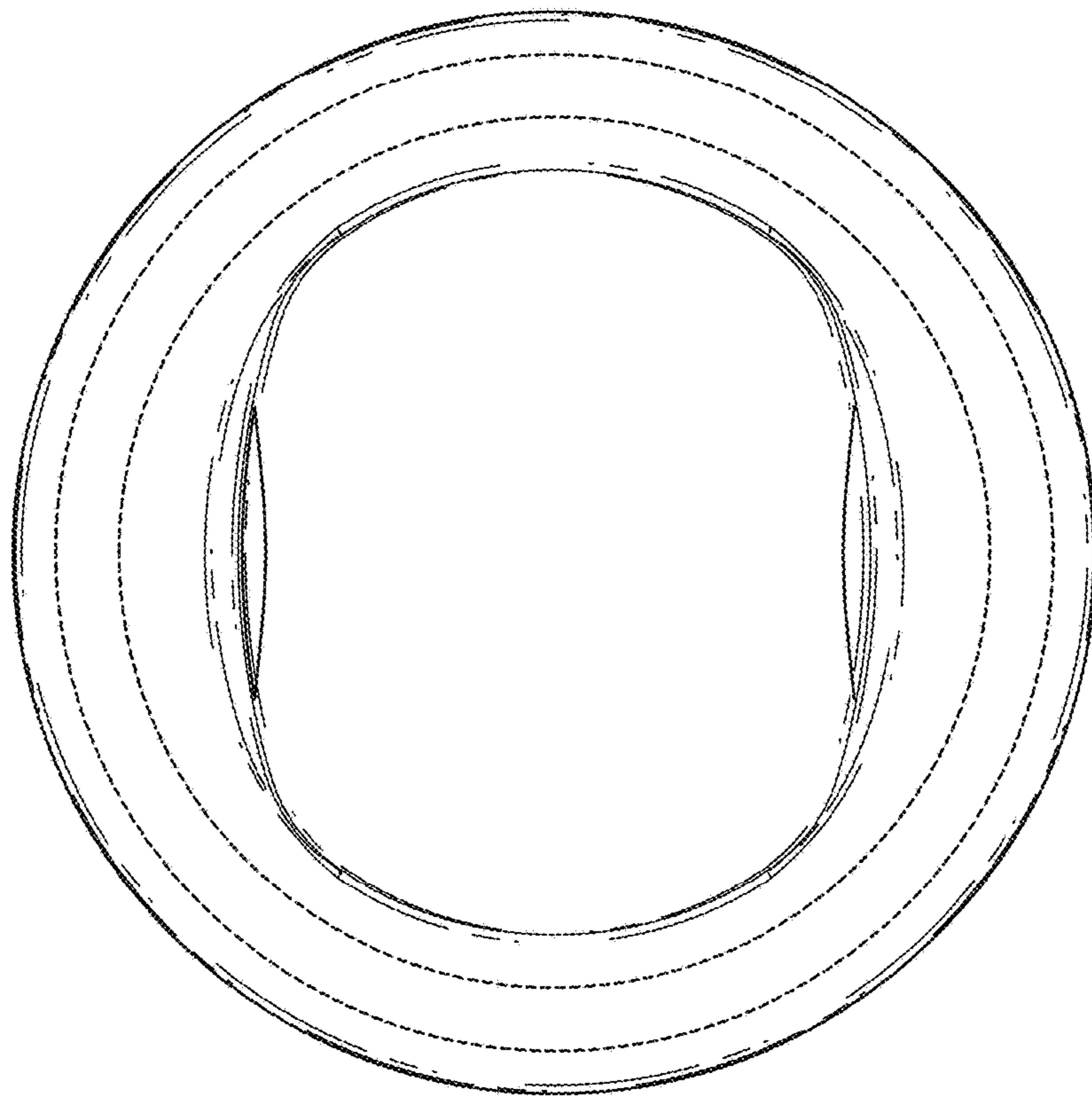


Fig 6.

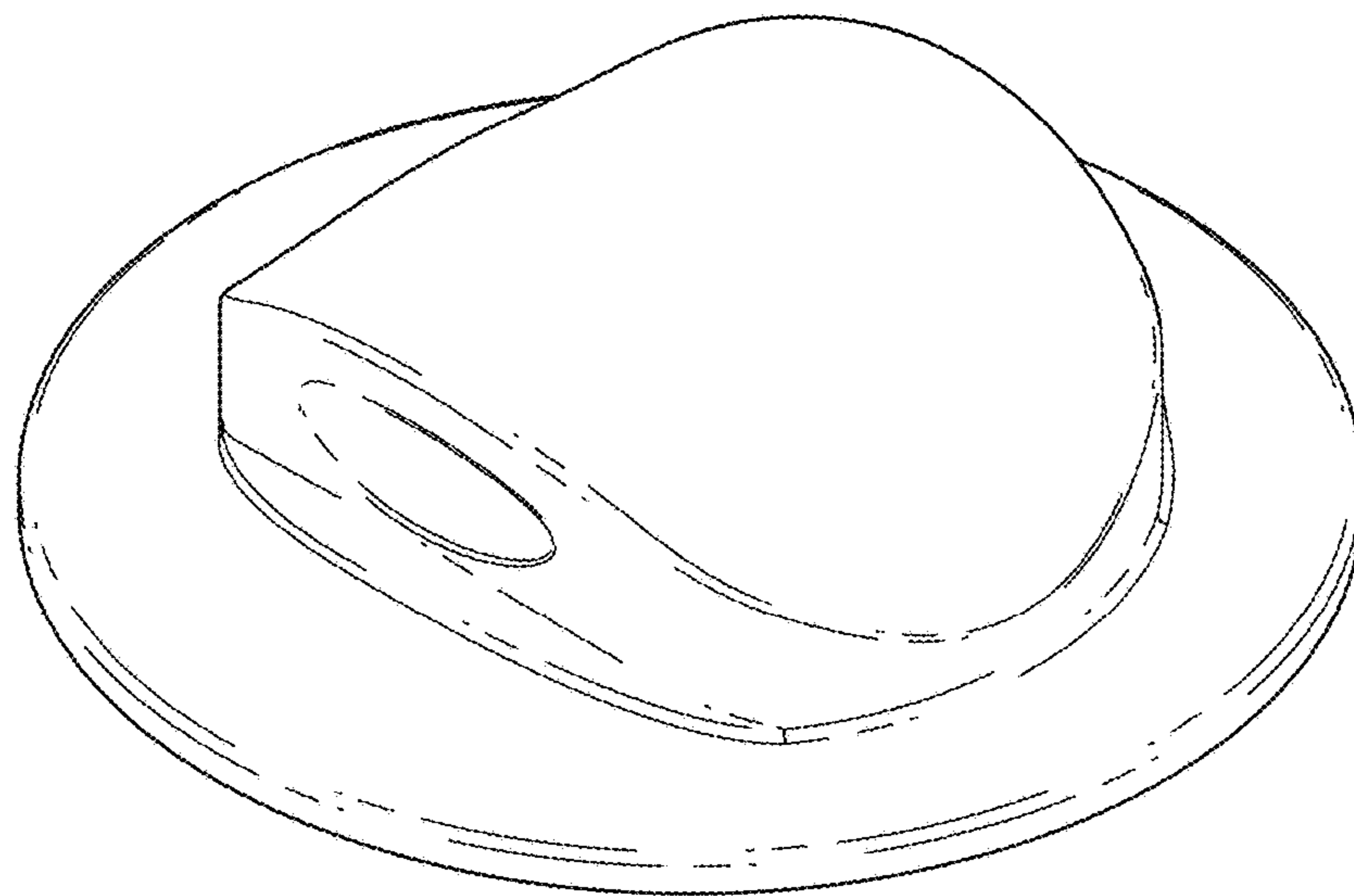


Fig 7.

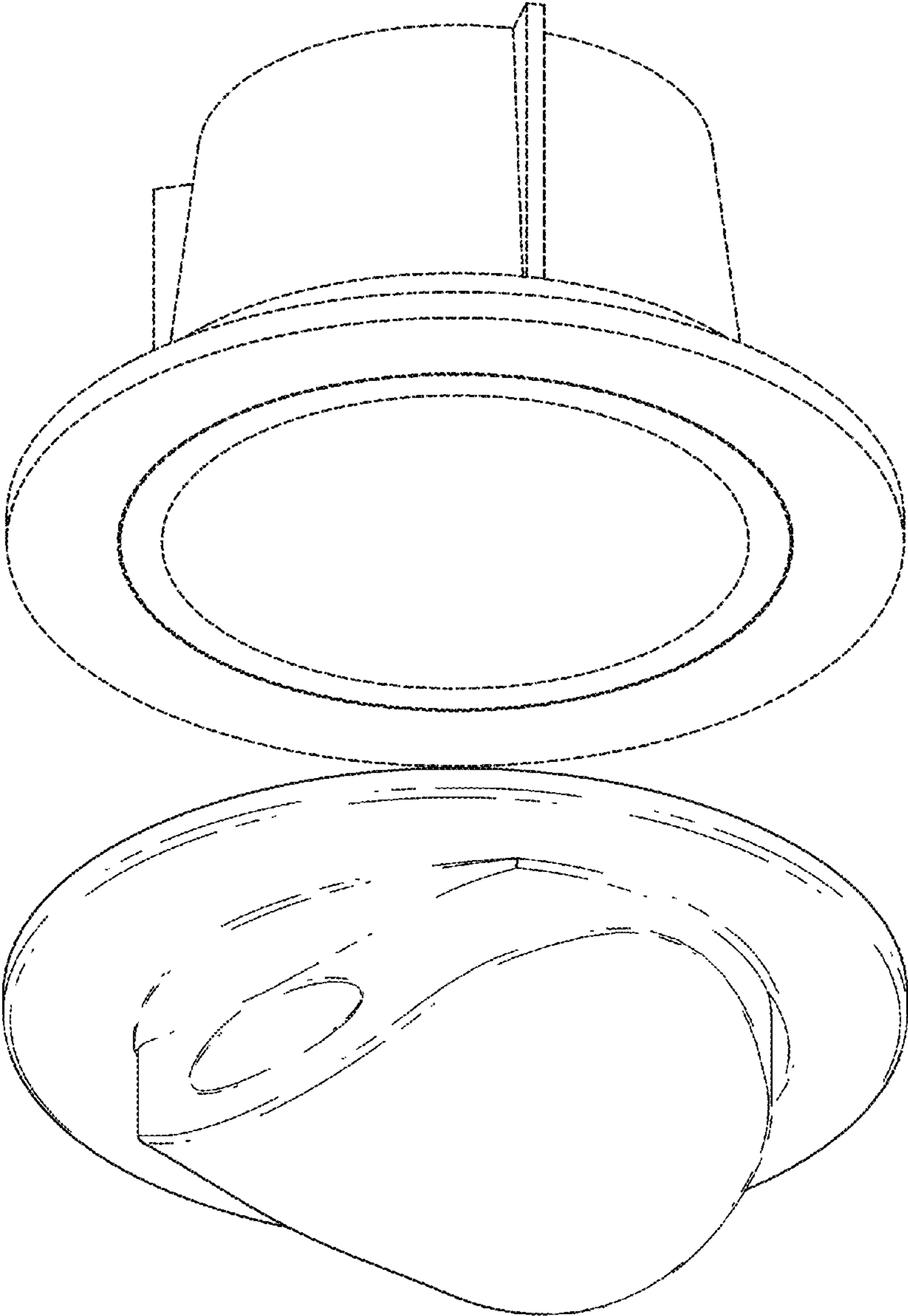


Fig 8.