

US00D816259S

(12) **United States Design Patent**
Liu

(10) **Patent No.: US D816,259 S**
(45) **Date of Patent: ** Apr. 24, 2018**

(54) **SOLAR BODY INDUCTION LAMP**

OTHER PUBLICATIONS

(71) Applicant: **ENNOPLUS TECHNOLOGY CO., LTD.**, Redding, CA (US)

(72) Inventor: **Hang-Yu Liu**, Shuangyashan (CN)

(73) Assignee: **ENNOPLUS TECHNOLOGY CO., LTD.**, Redding

(**) Term: **15 Years**

(21) Appl. No.: **29/586,193**

(22) Filed: **Dec. 1, 2016**

(51) **LOC (11) Cl.** **26-03**

(52) **U.S. Cl.**
USPC **D26/85**

(58) **Field of Classification Search**
USPC D26/70, 72, 85-87, 121, 122
CPC F21V 1/00; F21V 5/00; F21V 5/02; F21V 5/043; F21V 21/00; F21V 21/02; F21V 7/041; F21V 7/048; F21S 8/03; F21S 8/033; F21S 8/036; F21S 8/037; F21S 8/04; F21S 9/037; F21W 2131/107
See application file for complete search history.

(56) **References Cited**

U.S. PATENT DOCUMENTS

D304,088 S *	10/1989	Kelley	D26/24
D535,775 S *	1/2007	Lueken	D26/67
D542,963 S *	5/2007	Zucker	D26/121
D791,994 S *	7/2017	Liu	D10/106.8
D802,199 S *	11/2017	Zhuo	D26/85
2009/0034242 A1 *	2/2009	Engel	F21S 8/033 362/147
2014/0177228 A1 *	6/2014	Ellingson	F21V 29/004 362/294

Litom Outdoor Solar Light, Amazon, published Nov. 21, 2016, site visited Dec. 4, 2017, available online at <https://www.amazon.in/Litom-Lights-Outdoor-Security-Lighting/dp/B01JS285JS> (Year: 2016).*

Wall Mounted Solar Motion Lights, "Best Solar Flood Lights 2017" by Arthur, LEDwatcher.com, Oct. 16, 2017, site visited Dec. 4, 2017, available online at <http://www.ledwatcher.com/best-solar-flood-lights/#best-article-motion> (Year: 2017).*

Litom Solar Lamp and EU registration, Feb. 27, 2017, Litom.com, site visited Dec. 4, 2017, available online at <http://www.ilitom.com/2016/12/22/litom-ltcd020ab-super-bright-solar-lights-54-led-solar-power-outdoor-motion-sensor-light/> (Year: 2017).*

Litom Solar Light, youtube.com, by Joeteck, Nov. 19, 2016, site visited Dec. 4, 2017, available online at <https://www.youtube.com/watch?v=EmCQxih-tiY> (Year: 2016).*

* cited by examiner

Primary Examiner — Cathron C Brooks

(57) **CLAIM**

The ornamental design for a solar body induction lamp, as shown and described.

DESCRIPTION

FIG. 1 is a front perspective view of a solar body induction lamp showing my new design;

FIG. 2 is a front elevational view thereof;

FIG. 3 is a rear elevational view thereof;

FIG. 4 is a left side elevational view thereof;

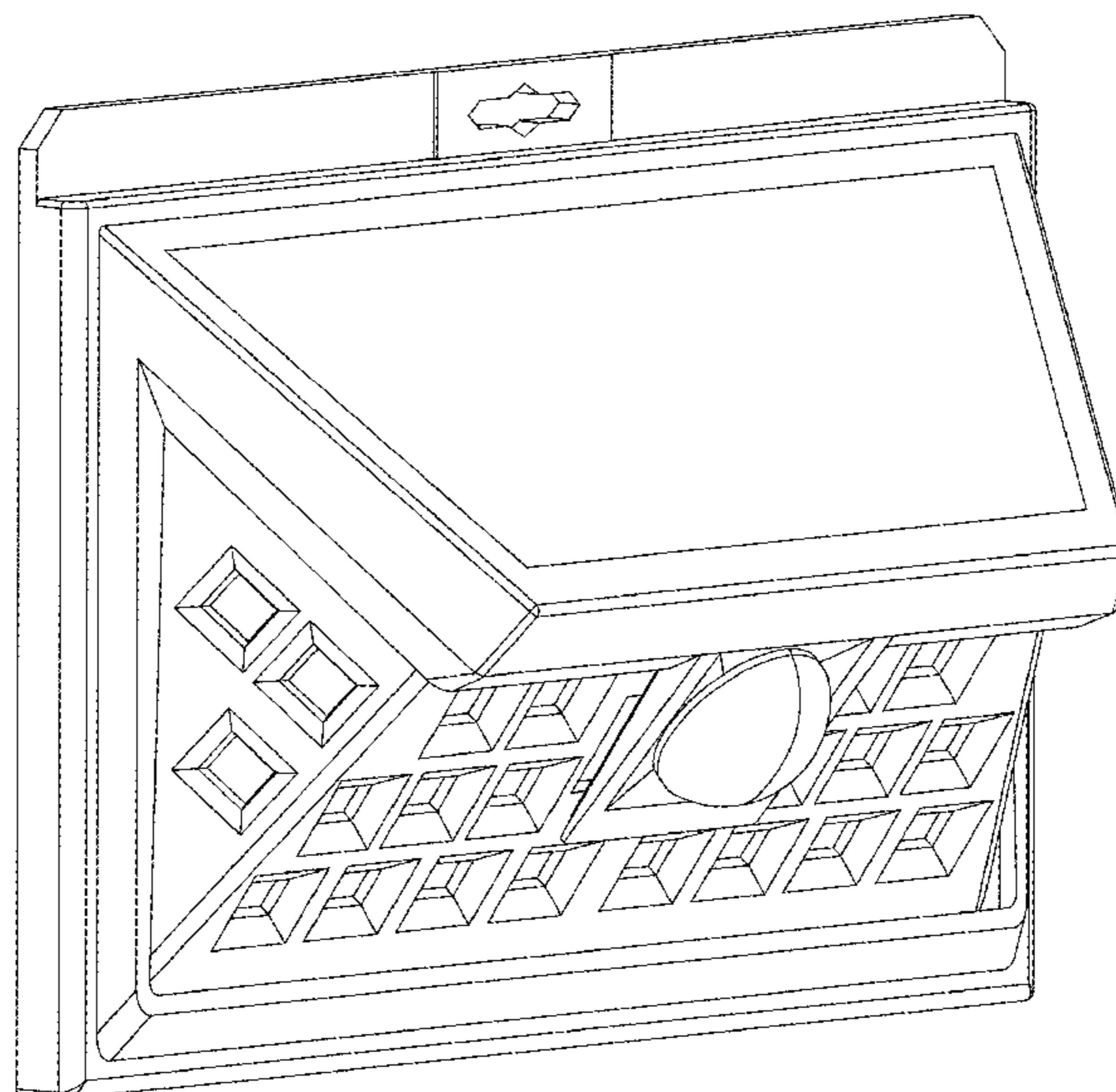
FIG. 5 is a right side elevational view thereof;

FIG. 6 is a top plan view thereof; and,

FIG. 7 is a bottom plan view thereof.

The broken lines in the drawings illustrate portions of the solar body induction lamp that form no part of the claimed design.

1 Claim, 7 Drawing Sheets



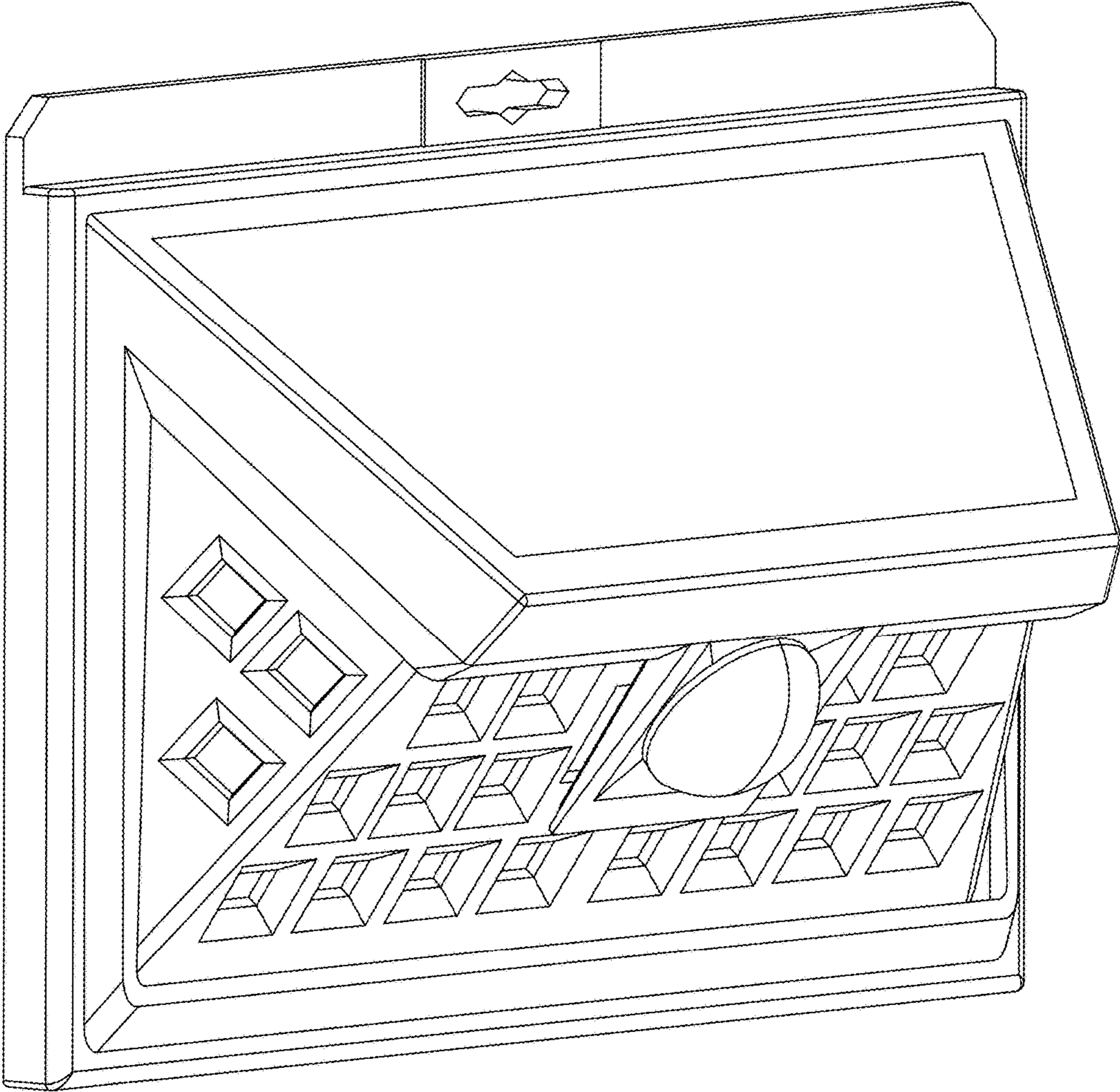


FIG. 1

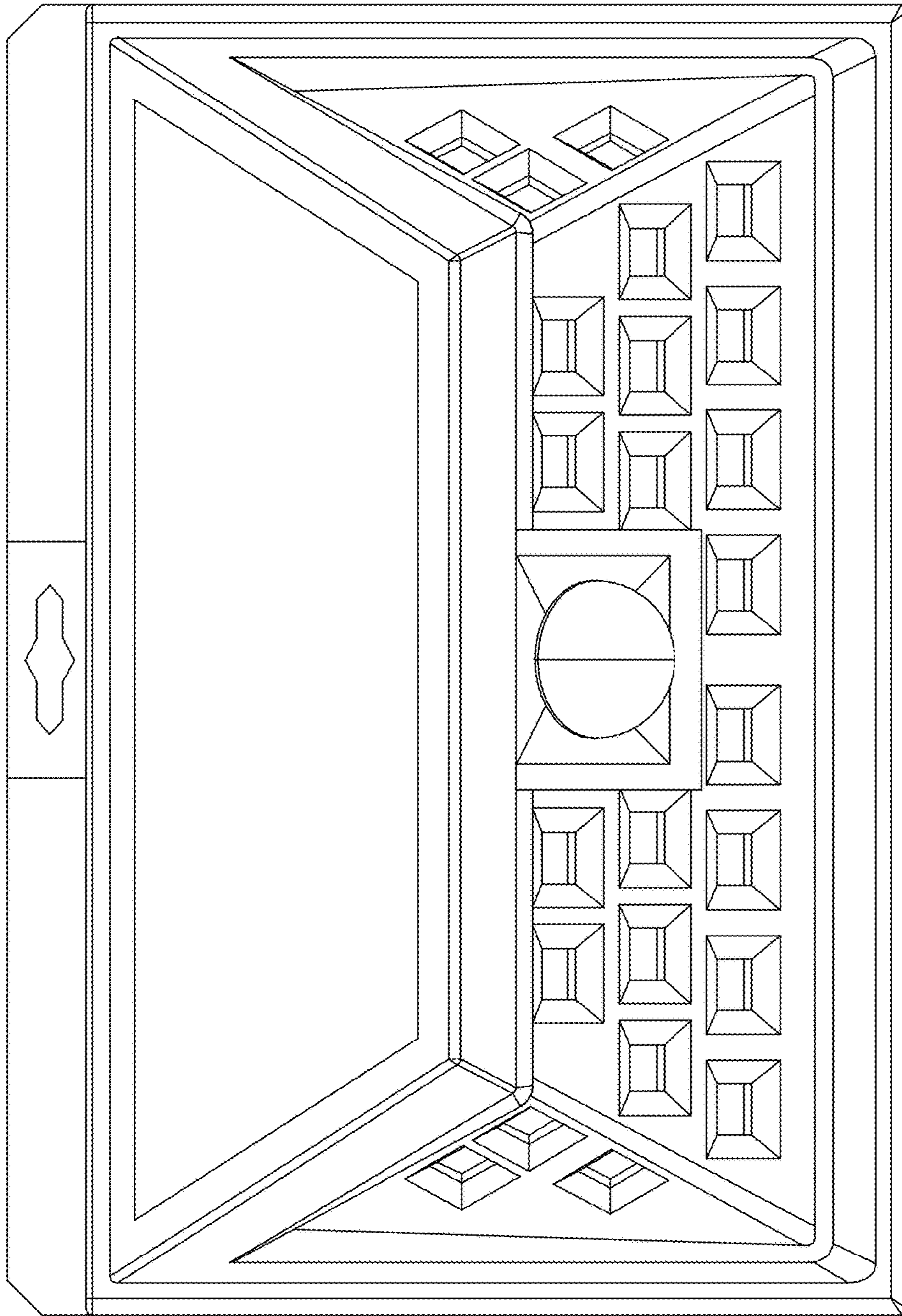


FIG. 2

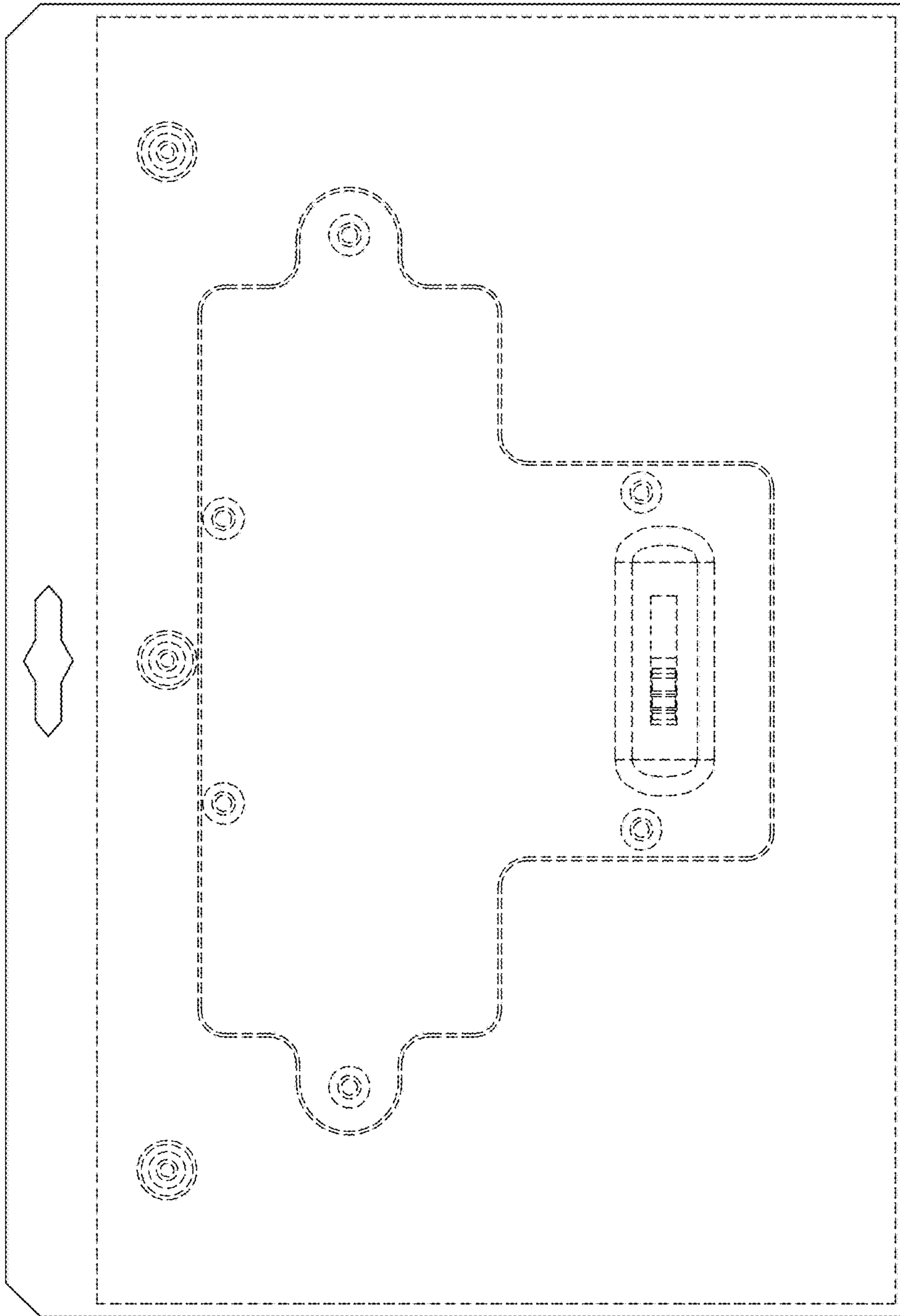


FIG. 3

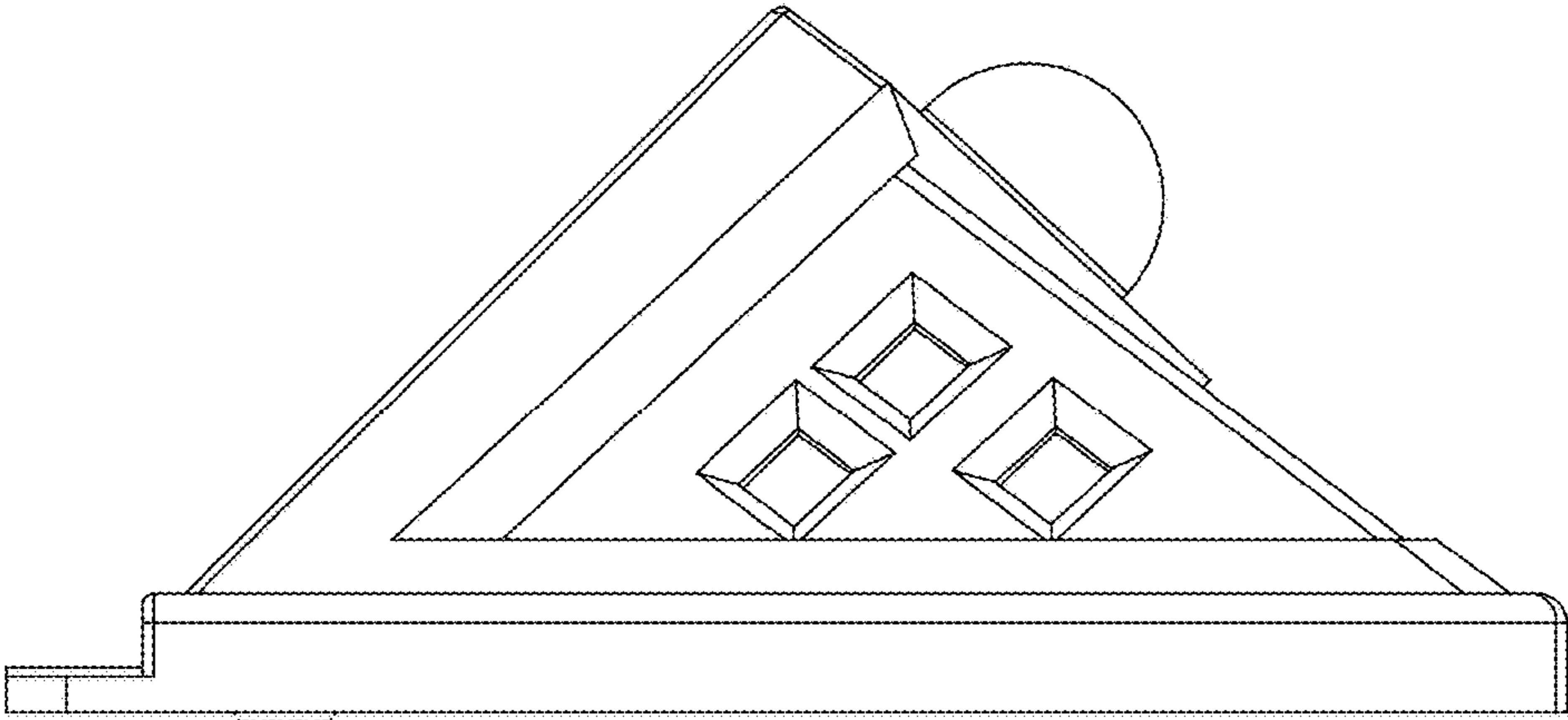


FIG. 4

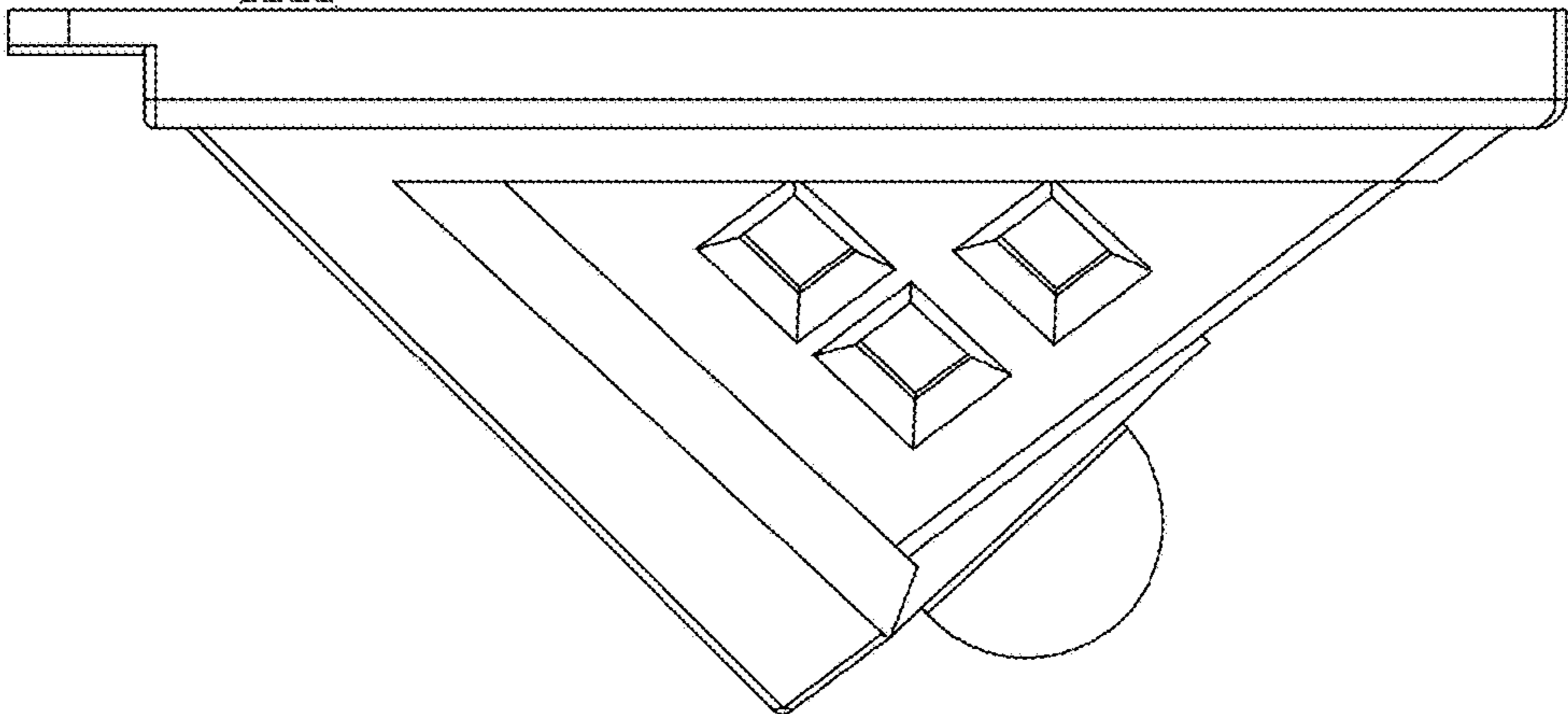


FIG. 5

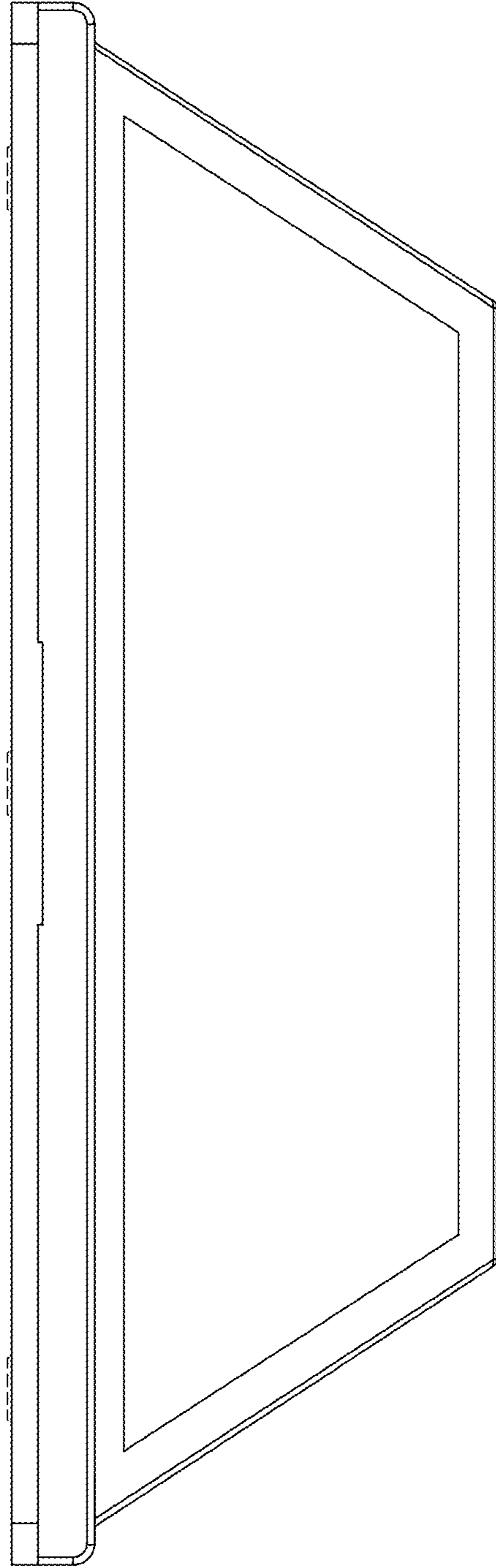


FIG. 6

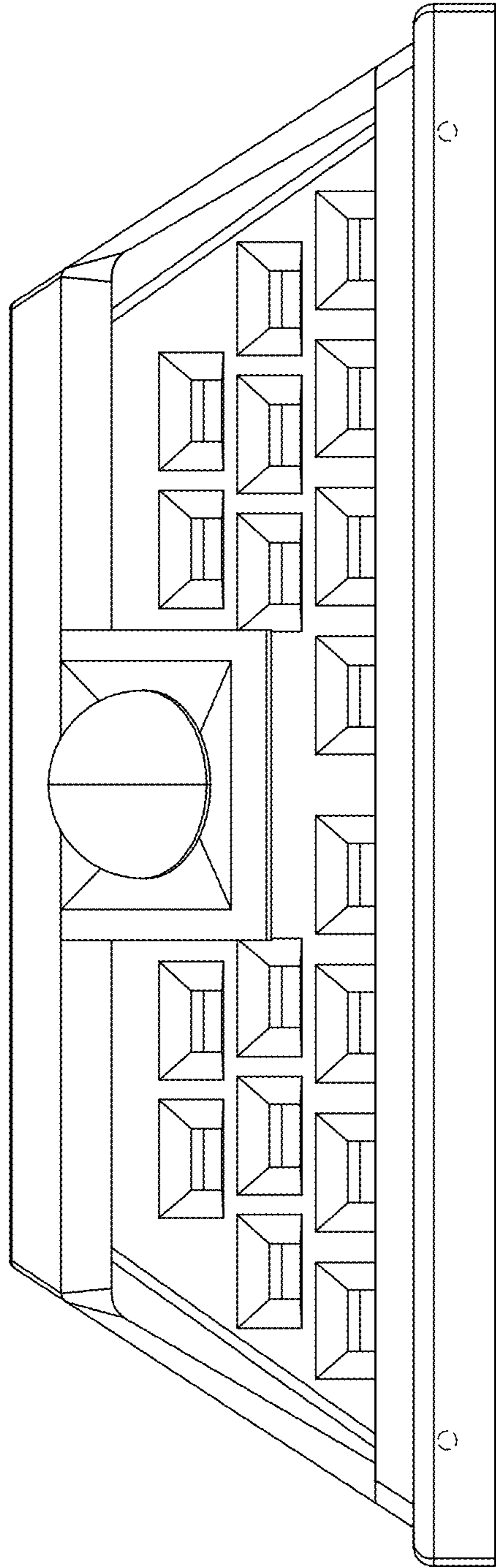


FIG. 7