



US00D816258S

(12) **United States Design Patent**
Zhu

(10) **Patent No.:** **US D816,258 S**
(45) **Date of Patent:** **** Apr. 24, 2018**

(54) **GARAGE LIGHT**

(71) Applicant: **Ningbo Hengjian Photoelectron Technology Co., Ltd., Zhejiang (CN)**

(72) Inventor: **Jianjun Zhu, Zhejiang (CN)**

(73) Assignee: **Ningbo Hengjian Photoelectron Technology Co., Ltd., Zhejiang (CN)**

(**) Term: **15 Years**

(21) Appl. No.: **29/607,882**

(22) Filed: **Jun. 16, 2017**

(30) **Foreign Application Priority Data**

Dec. 23, 2016 (CN) 2016 3 0641311

(51) **LOC (11) Cl.** **26-04**

(52) **U.S. Cl.**
USPC **D26/76**

(58) **Field of Classification Search**

USPC D26/76, 78, 79, 80, 81, 82, 83, 85, 86,
D26/88, 90, 113, 118, 119, 120, 121, 122,
D26/138, 139, 140, 141, 142, 152

CPC F21S 2/00; F21S 4/00; F21S 4/003; F21S
4/005; F21S 4/006; F21S 4/007; F21S
4/008; F21S 6/00; F21S 8/00; F21S
8/024; F21S 8/026; F21S 8/031; F21S
8/033; F21S 8/035-8/037; F21S 8/04;
F21S 8/043; F21S 8/063

See application file for complete search history.

(56) **References Cited**

U.S. PATENT DOCUMENTS

D122,887 S * 10/1940 Beals D26/78
7,207,690 B2 * 4/2007 Haugaard F21S 8/06
362/222

D669,204 S * 10/2012 Snell D26/76
D706,481 S * 6/2014 Holland D26/78
D735,931 S * 8/2015 Lehman D26/121
D761,477 S * 7/2016 Guercio D26/76
D765,299 S * 8/2016 Ladnier D26/76
9,416,954 B2 * 8/2016 Miller F21V 7/00
D796,103 S * 8/2017 Blankenship D26/74
D800,367 S * 10/2017 Ladnier D26/76

* cited by examiner

Primary Examiner — George D. Kirschbaum

Assistant Examiner — Natasha Vujcic

(74) *Attorney, Agent, or Firm* — Klarquist Sparkman,
LLP

(57) **CLAIM**

I claim the ornamental design for a garage light, as shown and described.

DESCRIPTION

FIG. 1 is a front perspective view of a garage light;

FIG. 2 is a front plan view thereof;

FIG. 3 is a back plan view thereof;

FIG. 4 is a left side elevation view thereof;

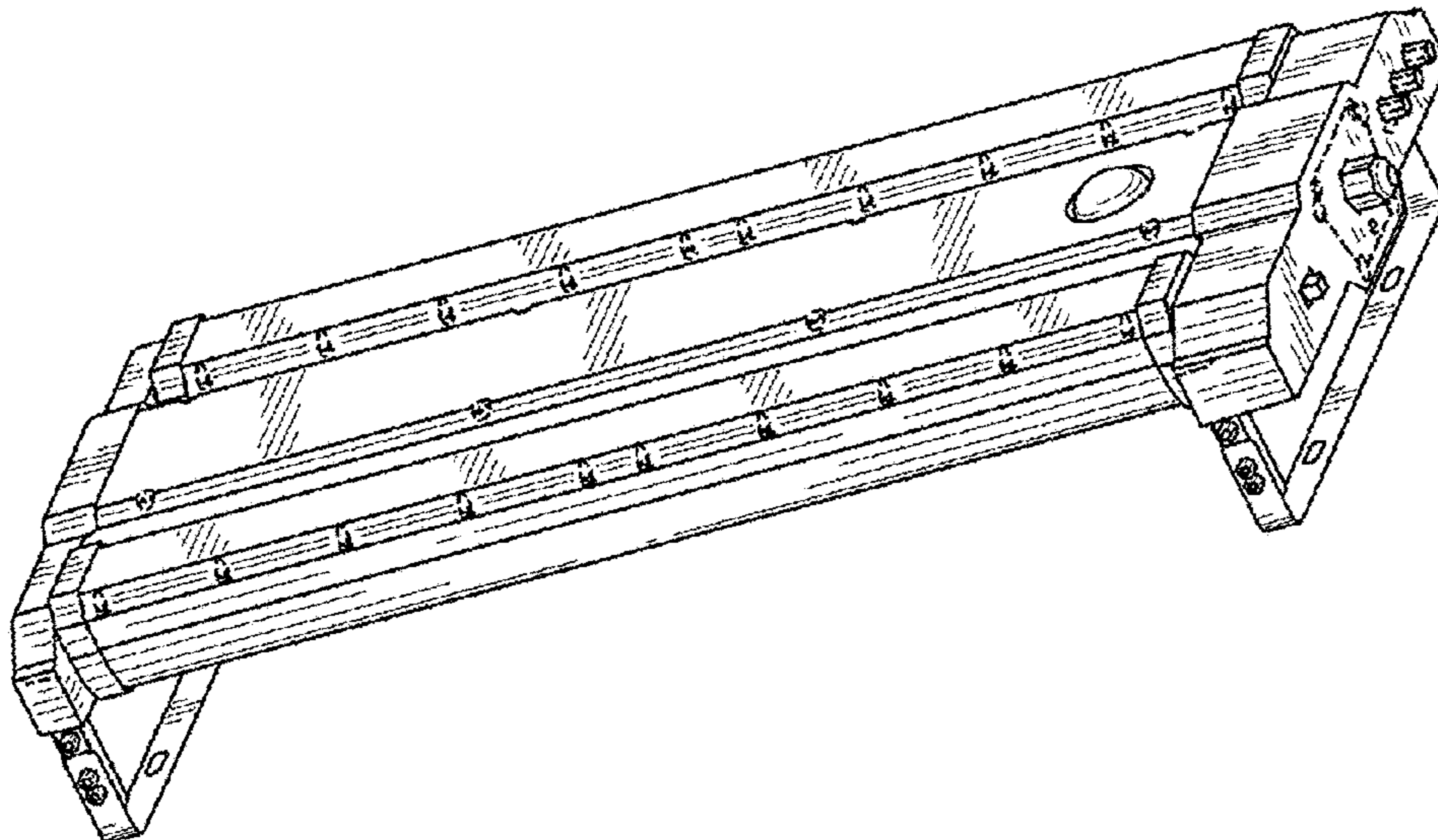
FIG. 5 is a right side elevation view thereof;

FIG. 6 is a left end elevational view thereof; and,

FIG. 7 is a right end elevational view thereof.

The dashed or broken lines in the drawings depict portions of a garage light in which the design is embodied that form no part of the claimed design.

1 Claim, 7 Drawing Sheets



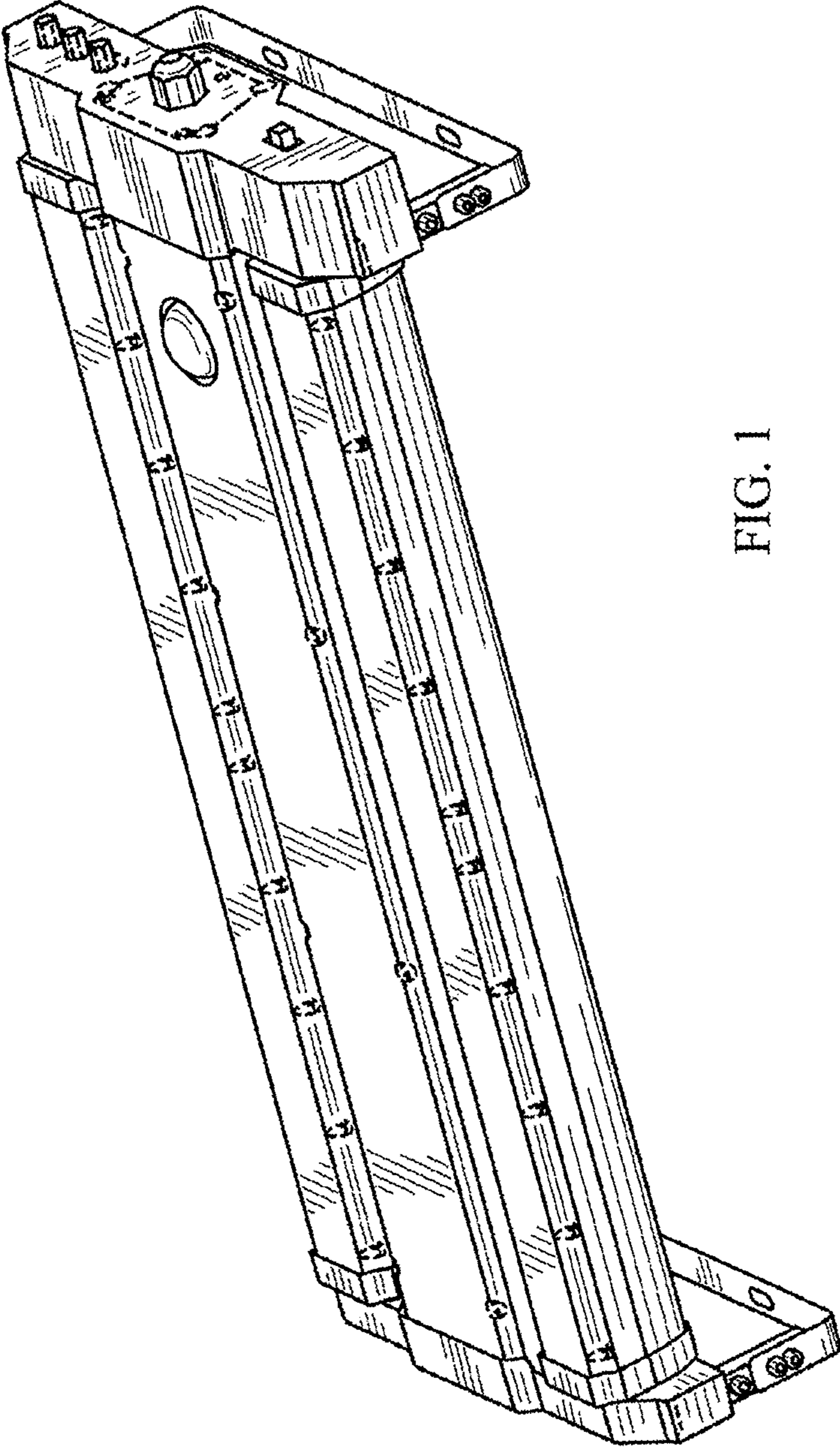


FIG. 1

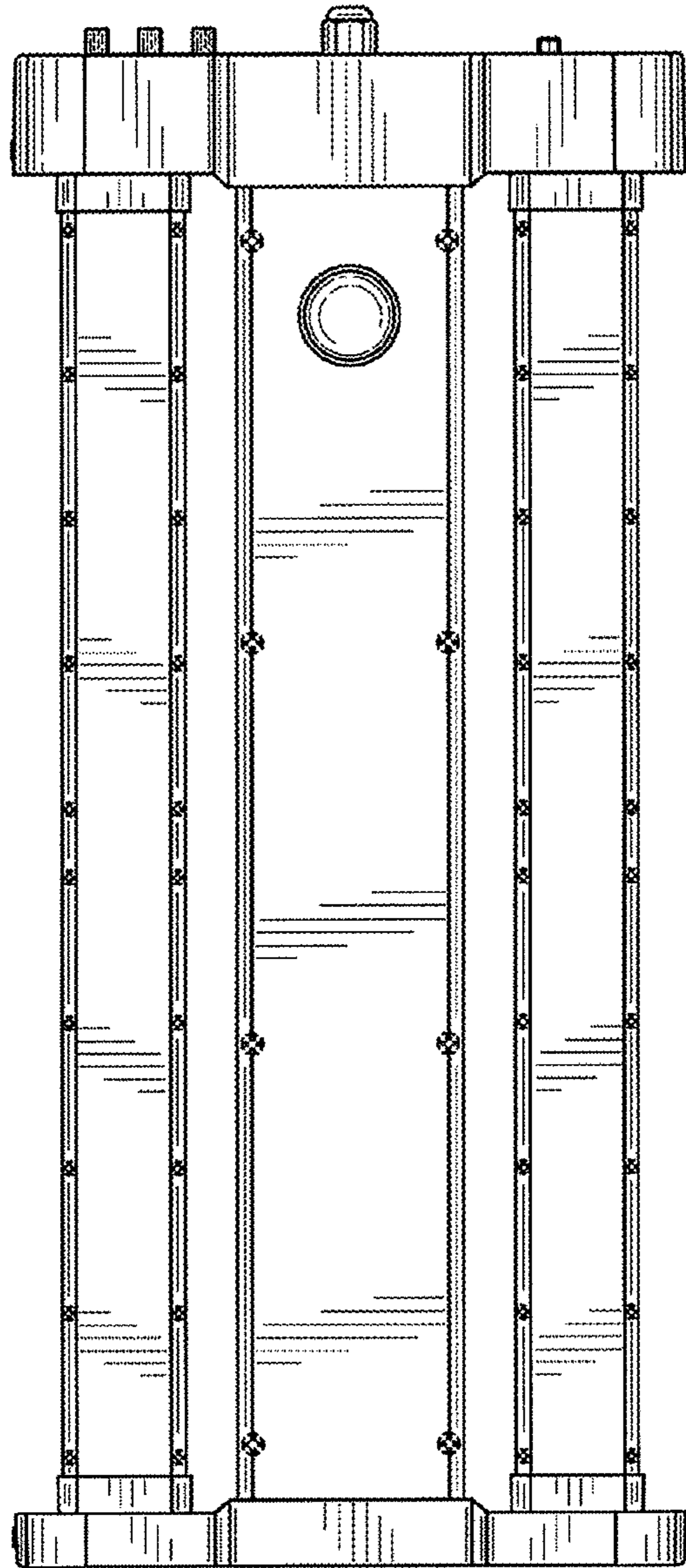


FIG. 2

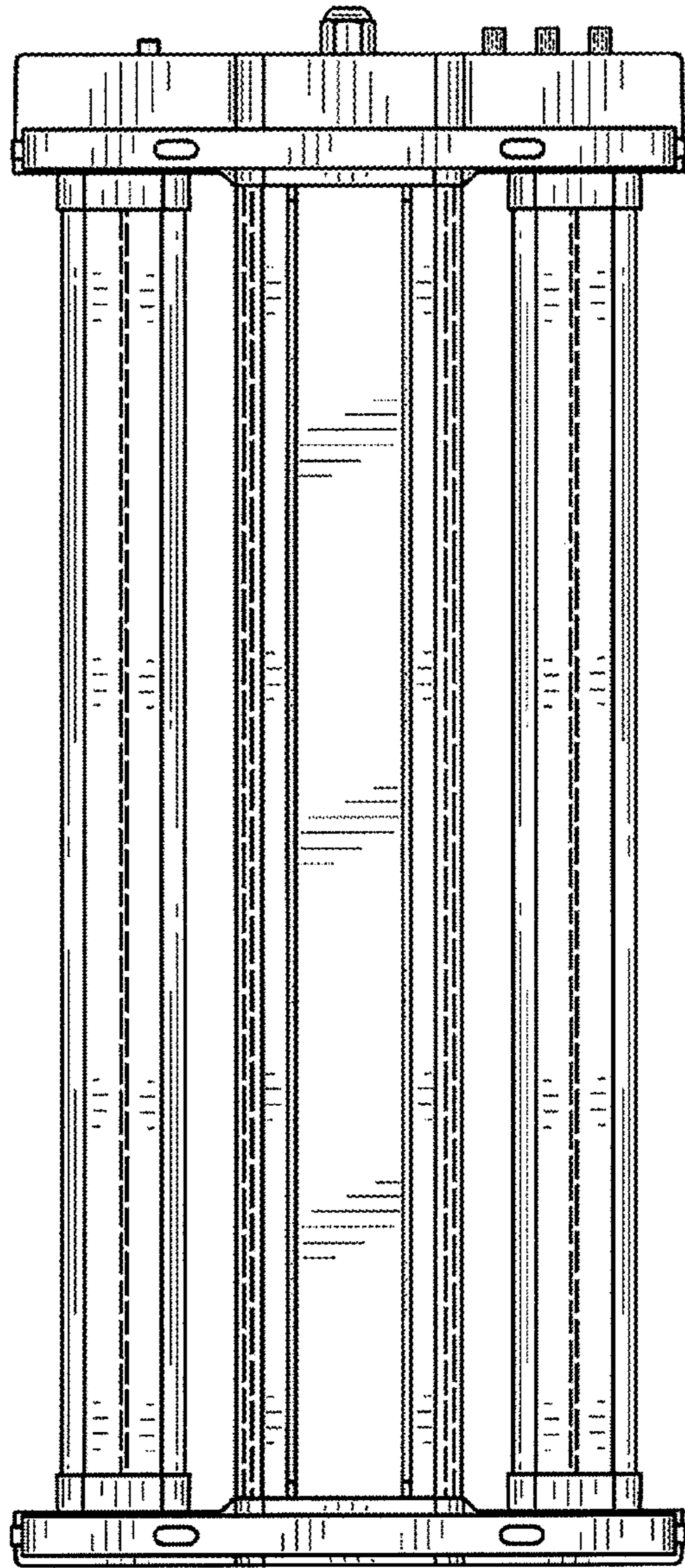


FIG. 3

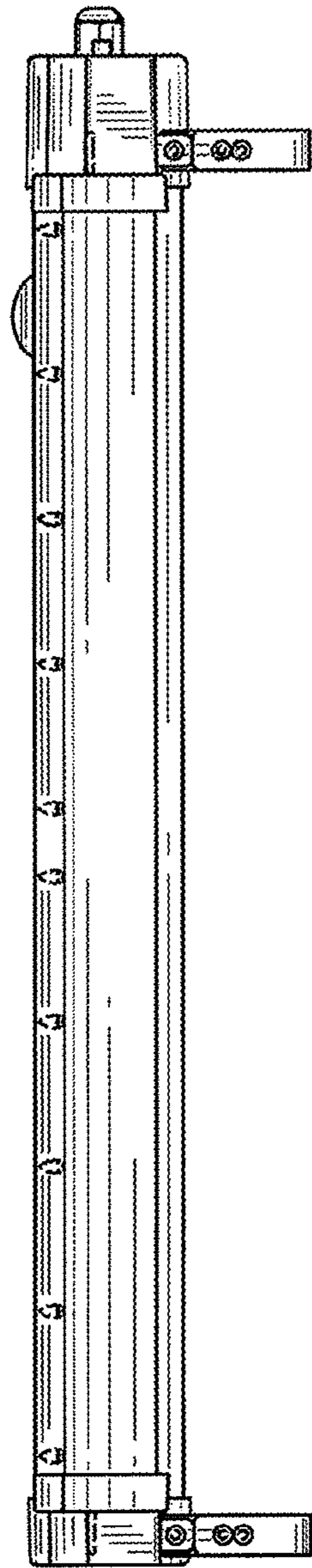


FIG. 4

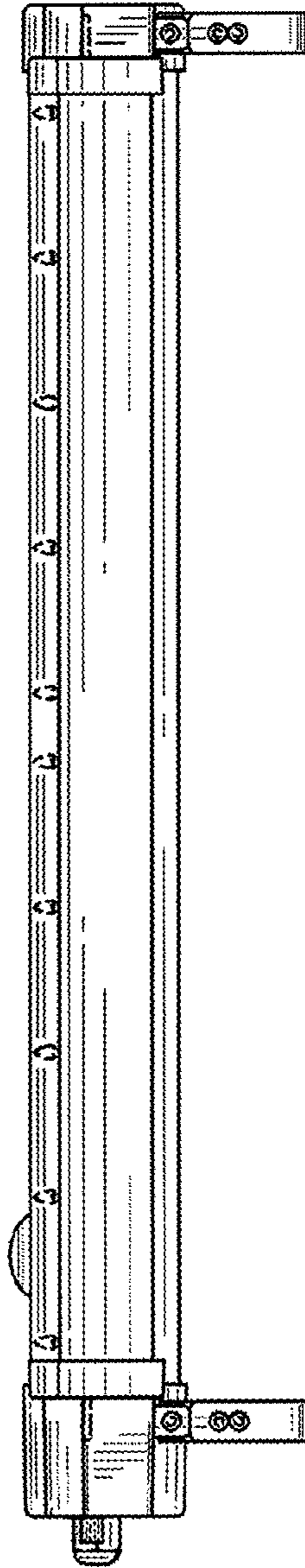


FIG. 5

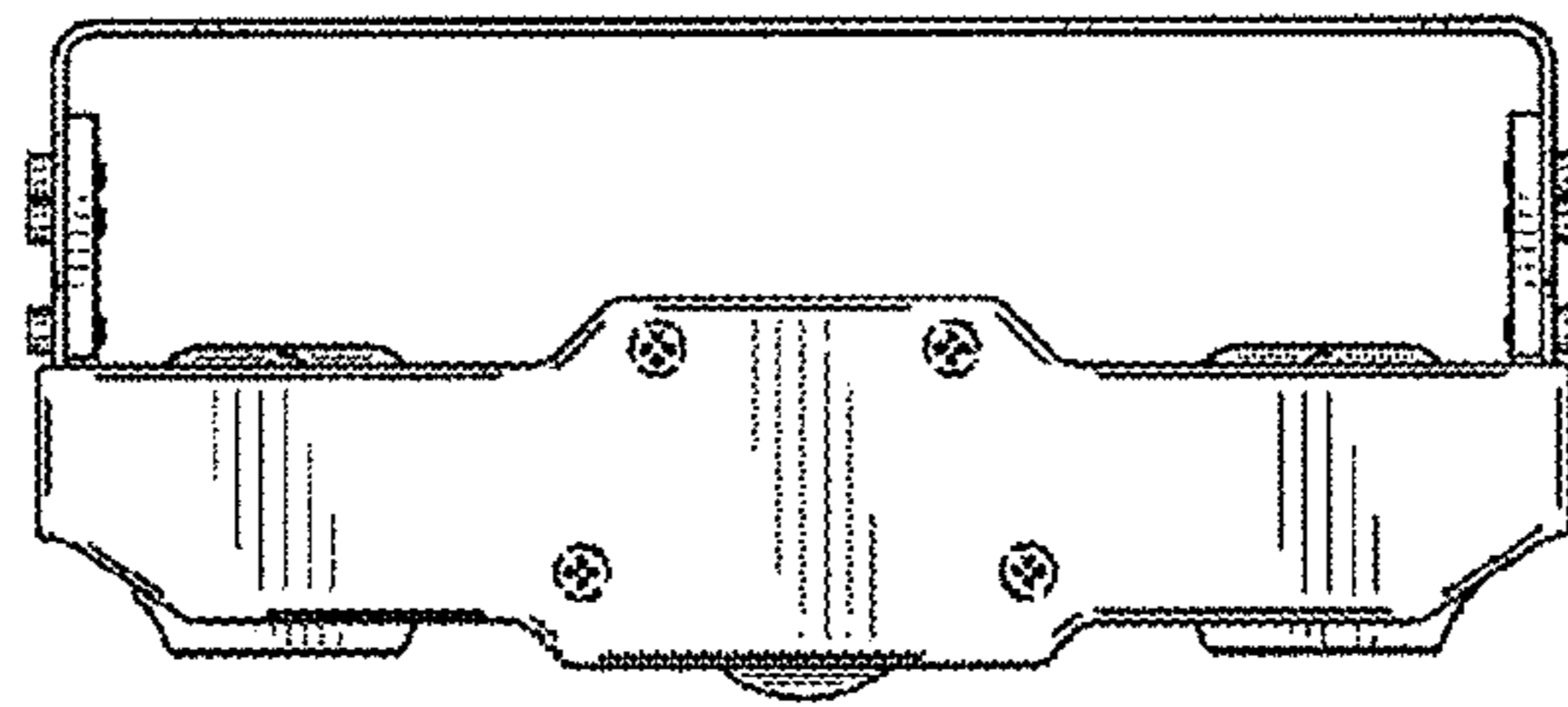


FIG. 6

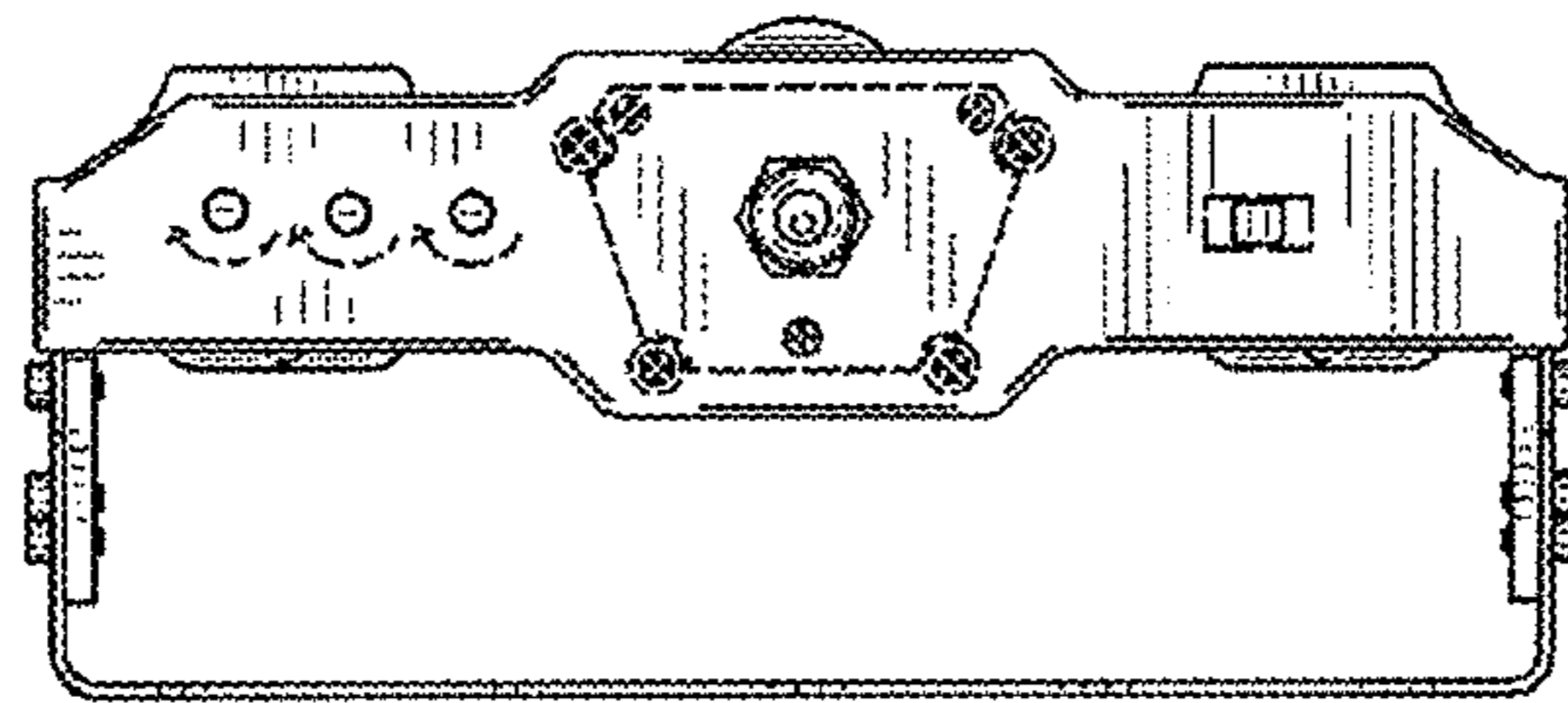


FIG. 7