



US00D816257S

(12) **United States Design Patent** (10) **Patent No.:** **US D816,257 S**  
**Ghasabi** (45) **Date of Patent:** **\*\* Apr. 24, 2018**

(54) **RECESSED LIGHT**

OTHER PUBLICATIONS

(71) Applicant: **LUMINIZ INC.**, Etobicoke (CA)

Non-Final Rejection dated Jun. 16, 2017 for U.S. Appl. No. 15/049,771.

(Continued)

(72) Inventor: **Amir Ghasabi**, Etobicoke (CA)

*Primary Examiner* — Angela J Lee

(74) *Attorney, Agent, or Firm* — Perry + Currier Inc.

(73) Assignee: **LUMINIZ INC.**, Etobicoke (CA)

(57) **CLAIM**

(\*\*) Term: **15 Years**

I claim the ornamental design for a recessed light, as shown and described.

(21) Appl. No.: **29/575,018**

**DESCRIPTION**

(22) Filed: **Aug. 22, 2016**

(51) **LOC (11) Cl.** ..... **26-05**

(52) **U.S. Cl.**  
USPC ..... **D26/74**

(58) **Field of Classification Search**  
USPC ..... D26/74, 72, 75, 76, 77, 78, 85, 88, 89,  
D26/118, 138, 141; 362/364, 365, 373,  
362/145, 146, 147, 148, 150, 153, 153.1,  
362/294, 296.01, 296.07, 296.08  
See application file for complete search history.

FIG. 1 is a top perspective view of the recessed light.  
FIG. 2 is a bottom perspective view of the recessed light.  
FIG. 3 is a front side elevation view of the recessed light.  
FIG. 4 is a right side elevation view of the recessed light.  
FIG. 5 is a back side elevation view of the recessed light.  
FIG. 6 is a left side elevation view of the recessed light.  
FIG. 7 is a top plan view of the recessed light.  
FIG. 8 is a bottom plan view of the recessed light.  
FIG. 9 is a top perspective view of a variant of the recessed light.  
FIG. 10 is a bottom perspective view of a variant of the recessed light.  
FIG. 11 is a front side elevation view of a variant of the recessed light.  
FIG. 12 is a right side elevation view of a variant of the recessed light.  
FIG. 13 is a back side elevation view of a variant of the recessed light.  
FIG. 14 is a left side elevation view of a variant of the recessed light.  
FIG. 15 is a top plan view of a variant of the recessed light; and,  
FIG. 16 is a bottom plan view of a variant of the recessed light.  
The broken line is included for illustrative purposes only and forms no part of the claimed design.

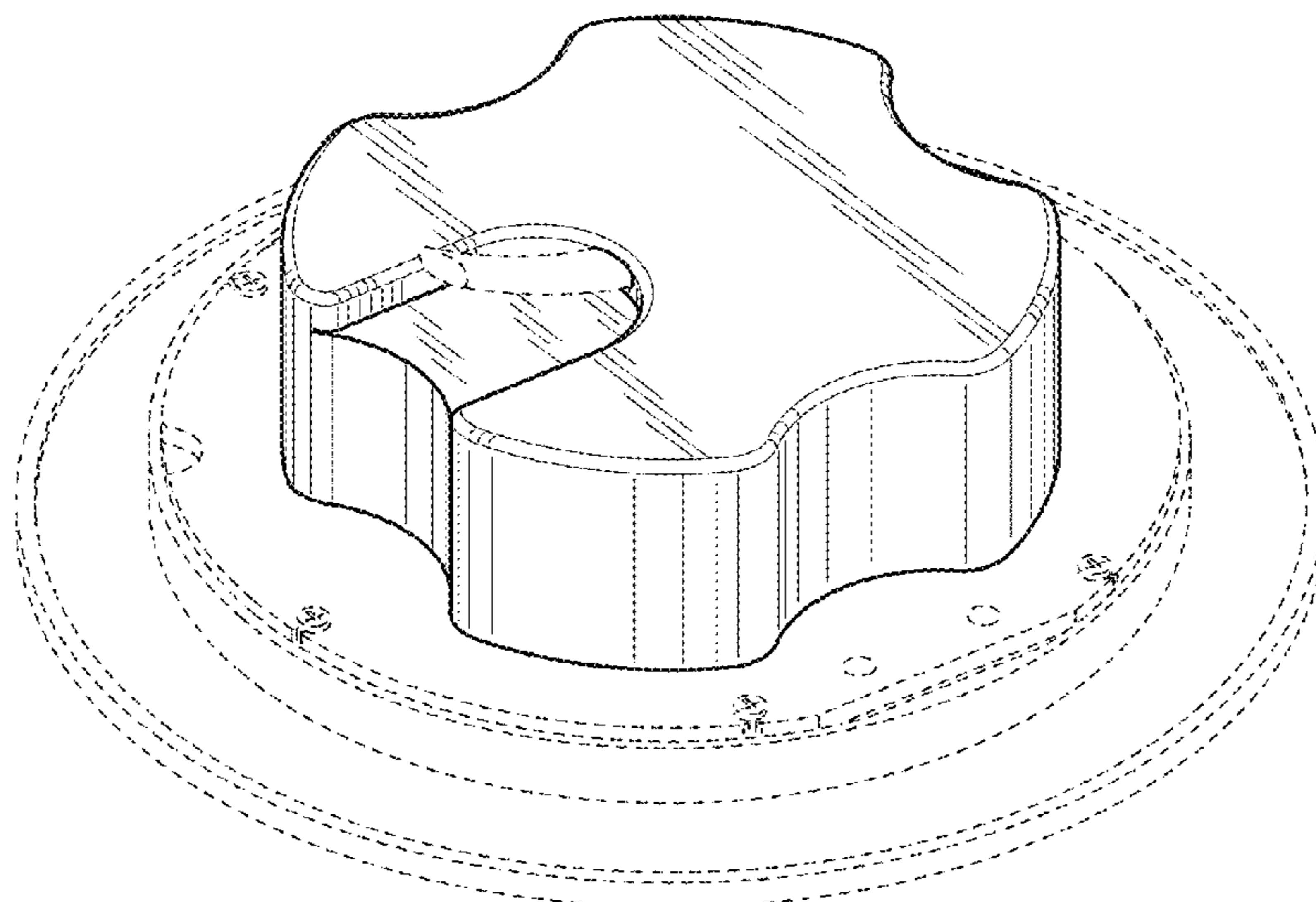
(56) **References Cited**

U.S. PATENT DOCUMENTS

D488,251 S \* 4/2004 Benghozi ..... D26/118  
D622,434 S \* 8/2010 Ward ..... F21S 8/026  
D668,372 S \* 10/2012 Renshaw ..... D26/74  
D671,668 S \* 11/2012 Rowlette, Jr. .... D26/74  
D726,951 S \* 4/2015 Serwacki ..... D26/74  
D731,689 S \* 6/2015 Bernard ..... D26/74  
D767,809 S \* 9/2016 Gotz-Schafer ..... D26/74  
D773,097 S \* 11/2016 Zhao ..... D26/74  
D785,848 S \* 5/2017 Couture ..... D26/89  
2010/0277907 A1 11/2010 Phipps et al.  
2012/0224375 A1 9/2012 Zaderej et al.  
2013/0301274 A1 11/2013 Anderson

(Continued)

**1 Claim, 8 Drawing Sheets**



(56)

**References Cited**

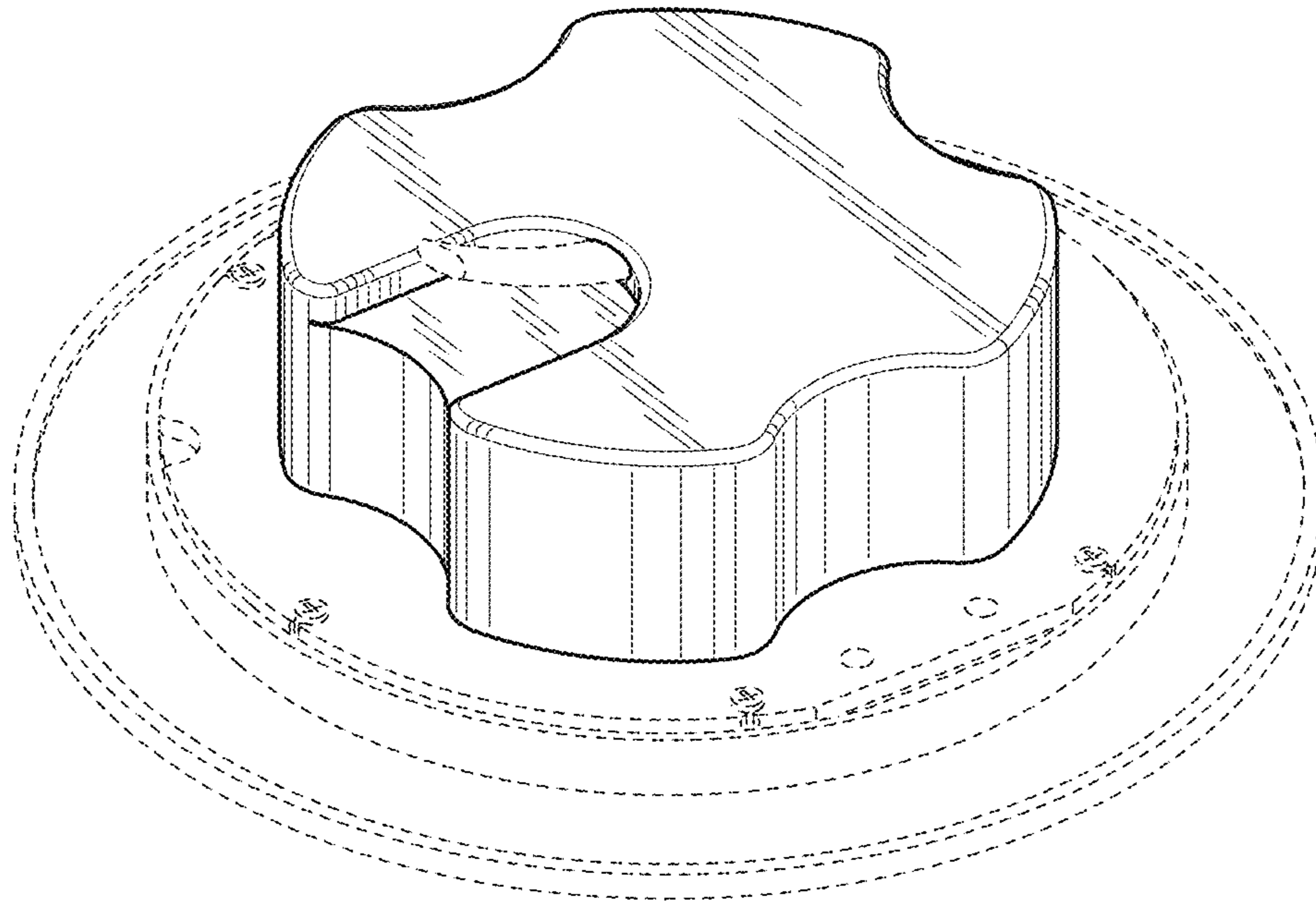
U.S. PATENT DOCUMENTS

2015/0176817 A1 6/2015 Olsson et al.  
2015/0285483 A1 10/2015 Kjaer et al.  
2015/0362169 A1 12/2015 Hodrinsky et al.  
2015/0382426 A1 12/2015 Odnoblyudov et al.

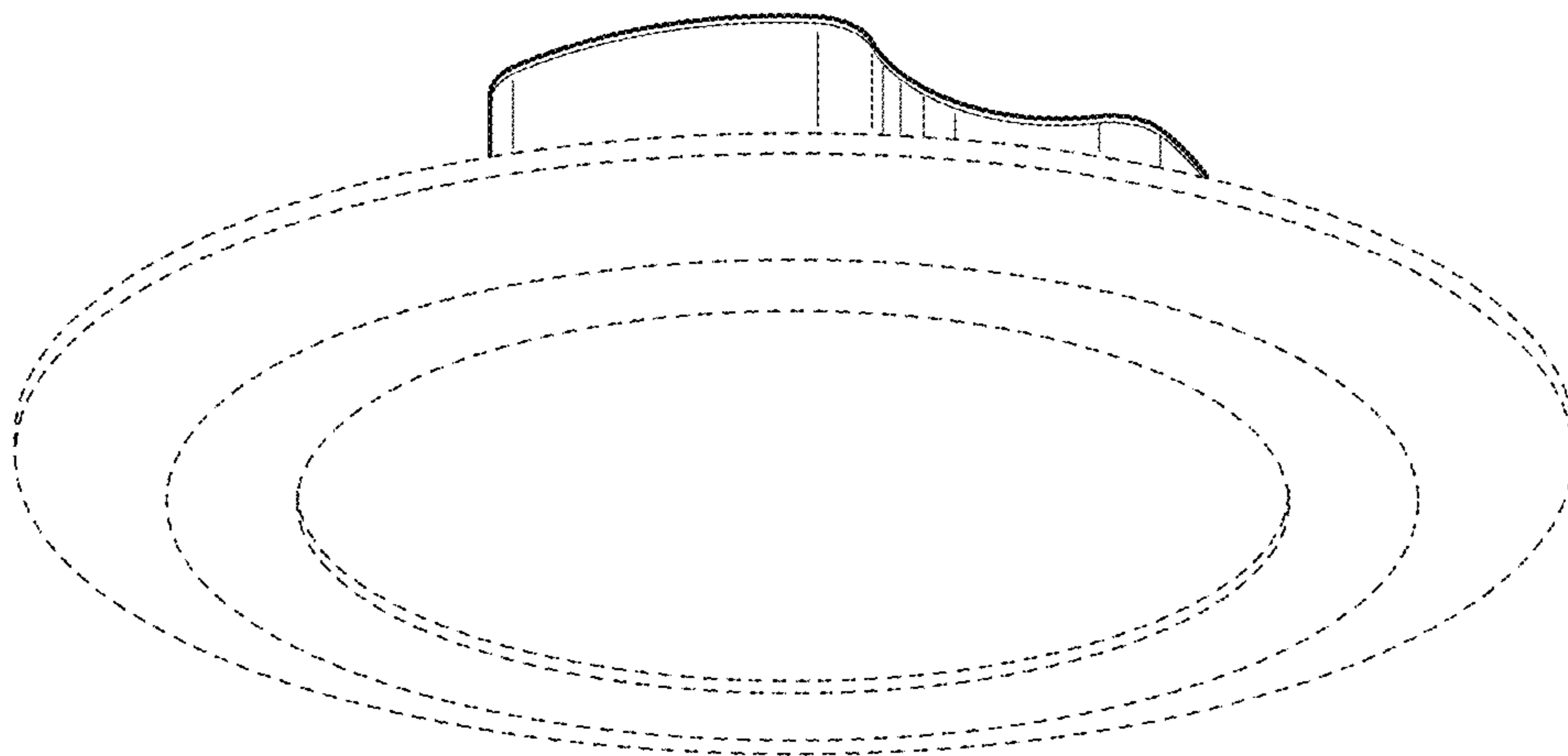
OTHER PUBLICATIONS

Non-Final Rejection dated Dec. 15, 2017, by USPTO, re U.S. Appl.  
No. 15/049,771.

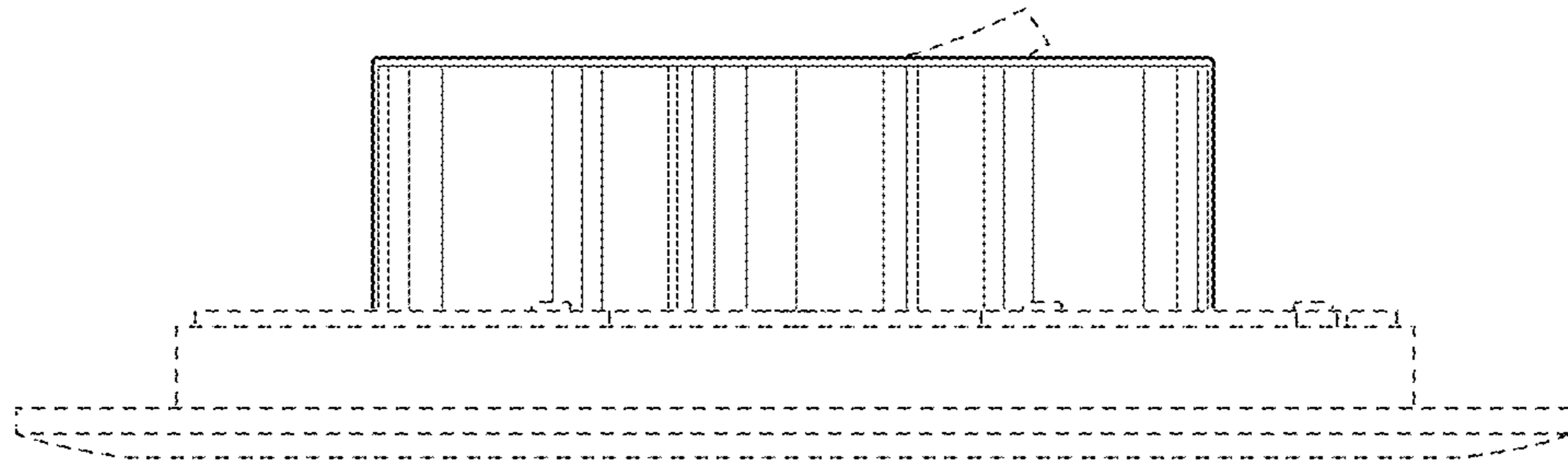
\* cited by examiner



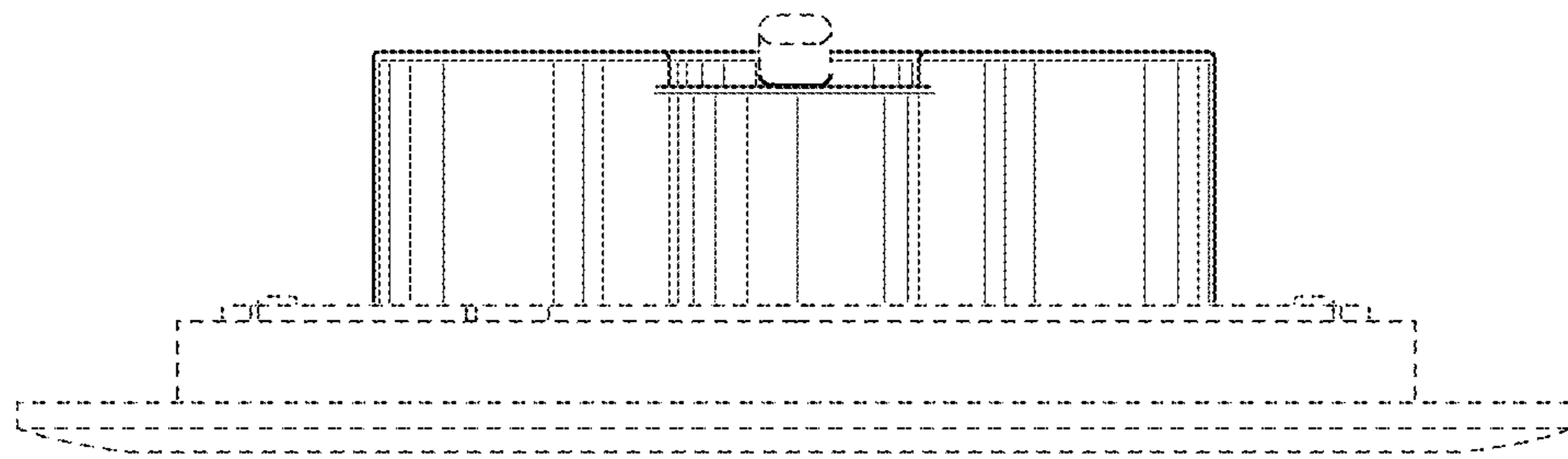
**FIG. 1**



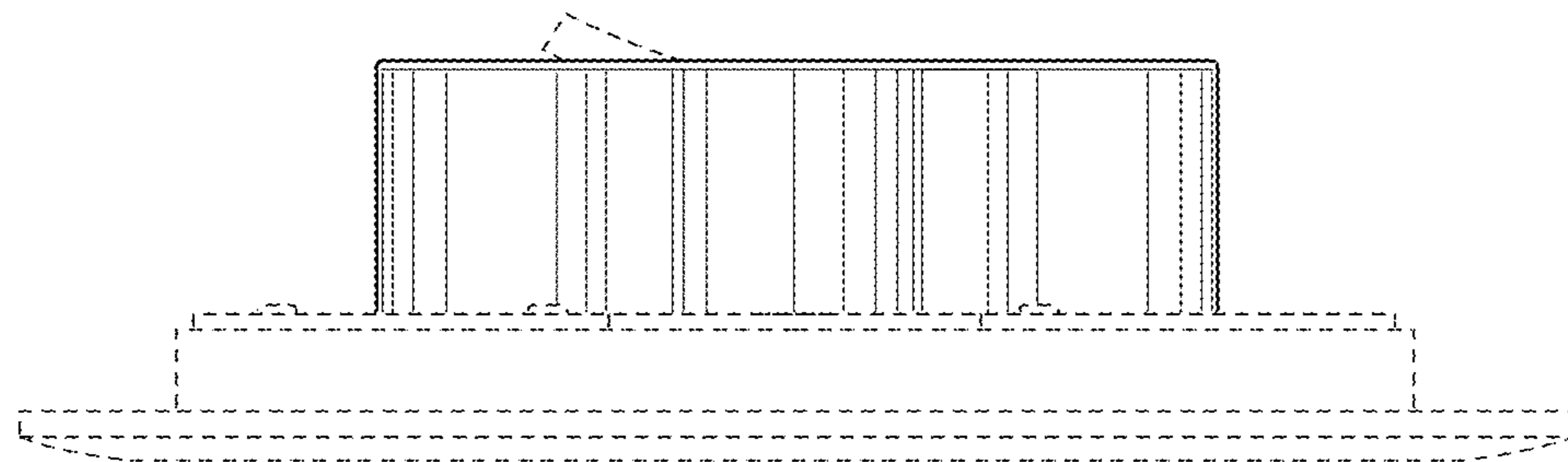
**FIG. 2**



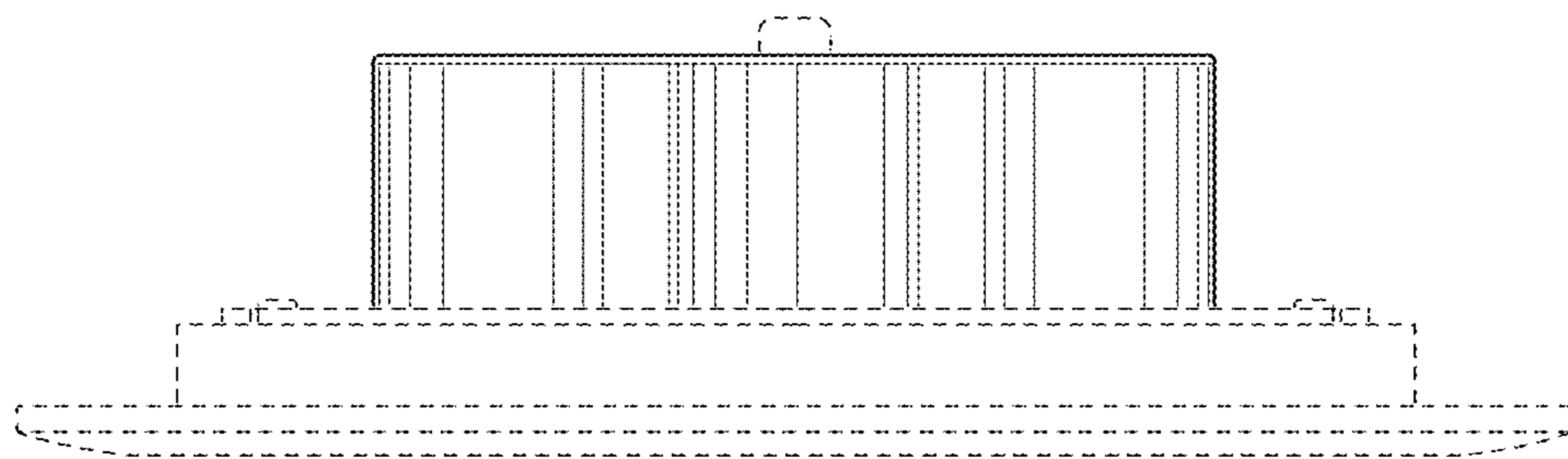
**FIG. 3**



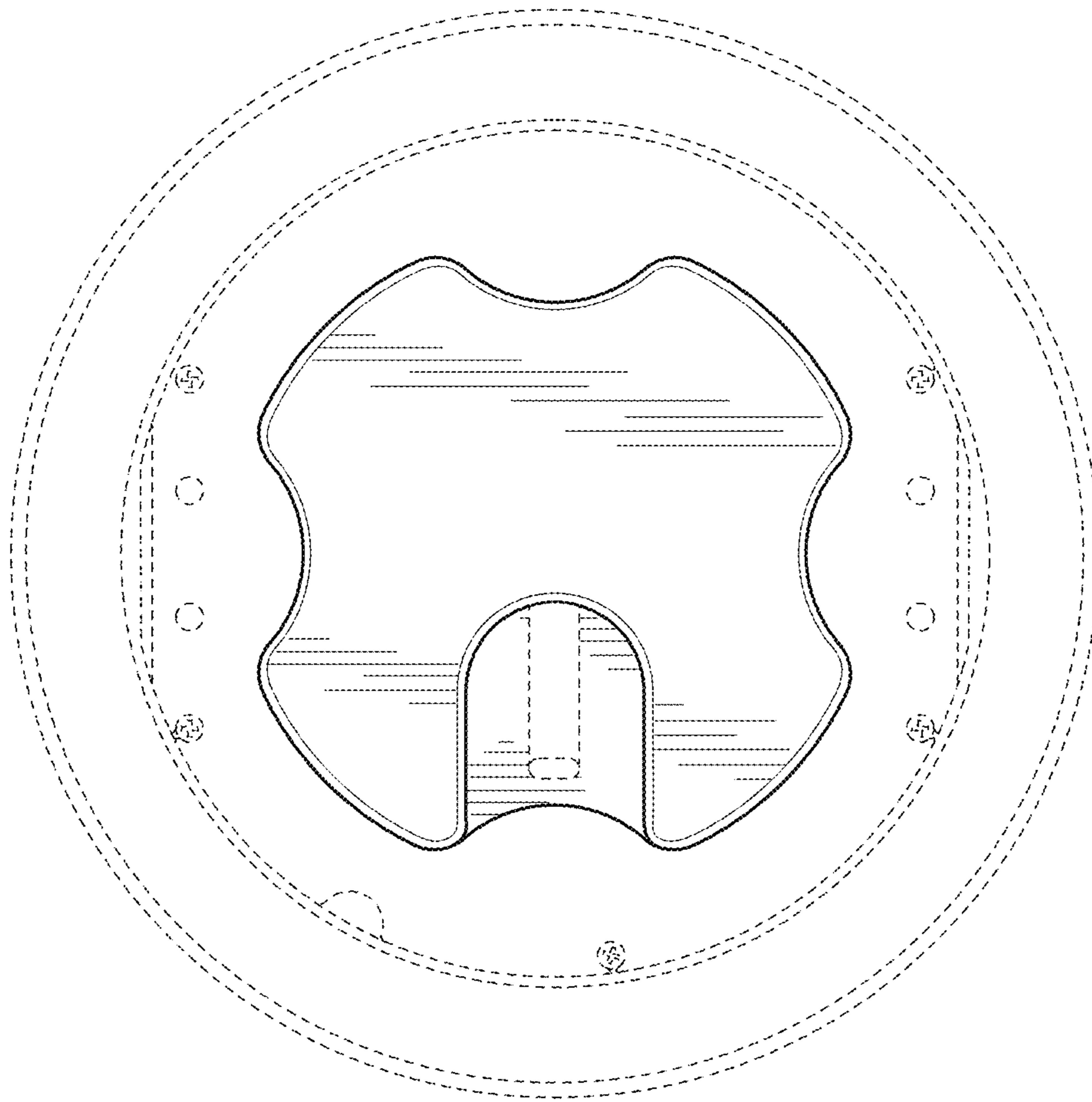
**FIG. 4**



**FIG. 5**

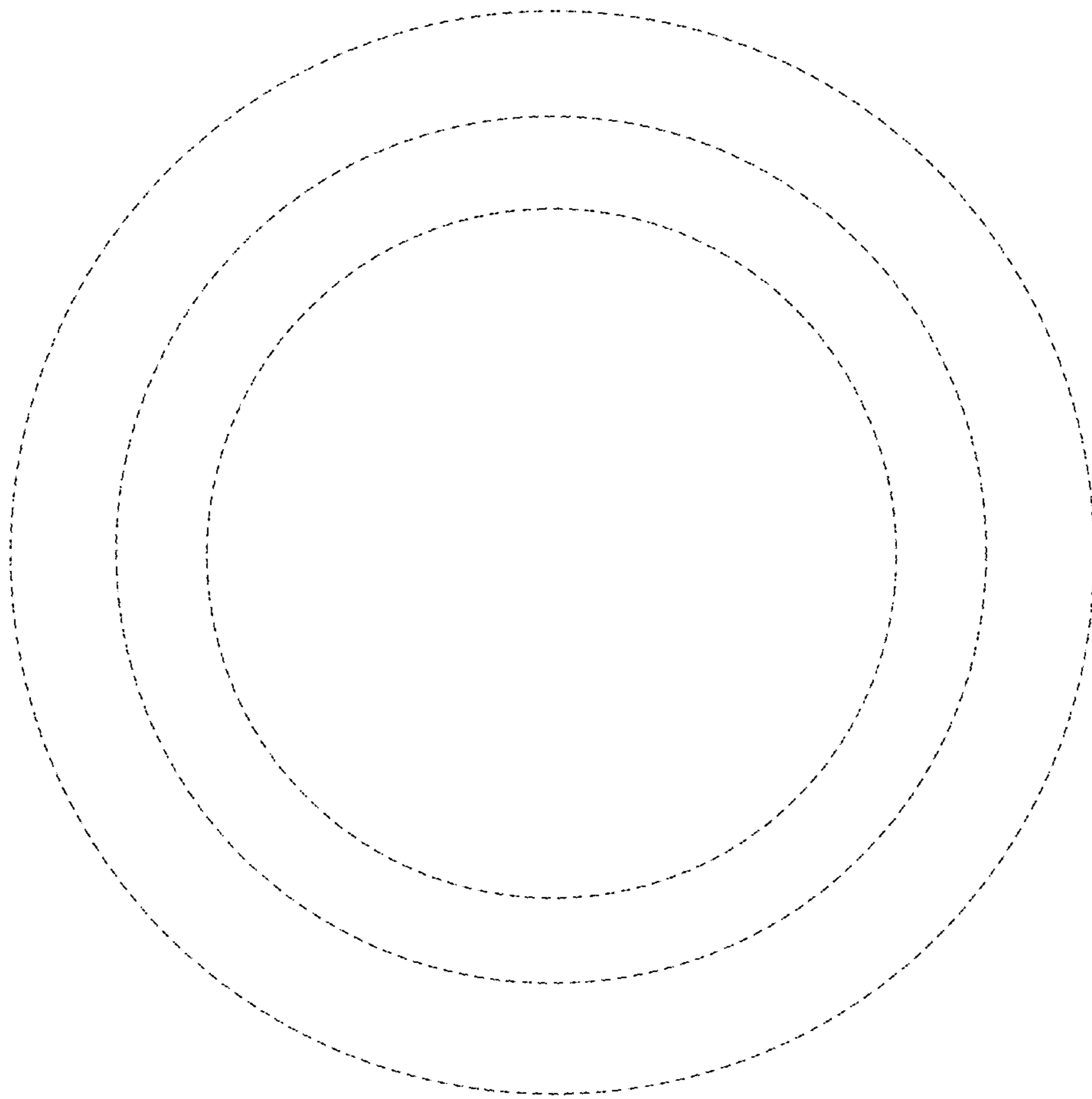


**FIG. 6**

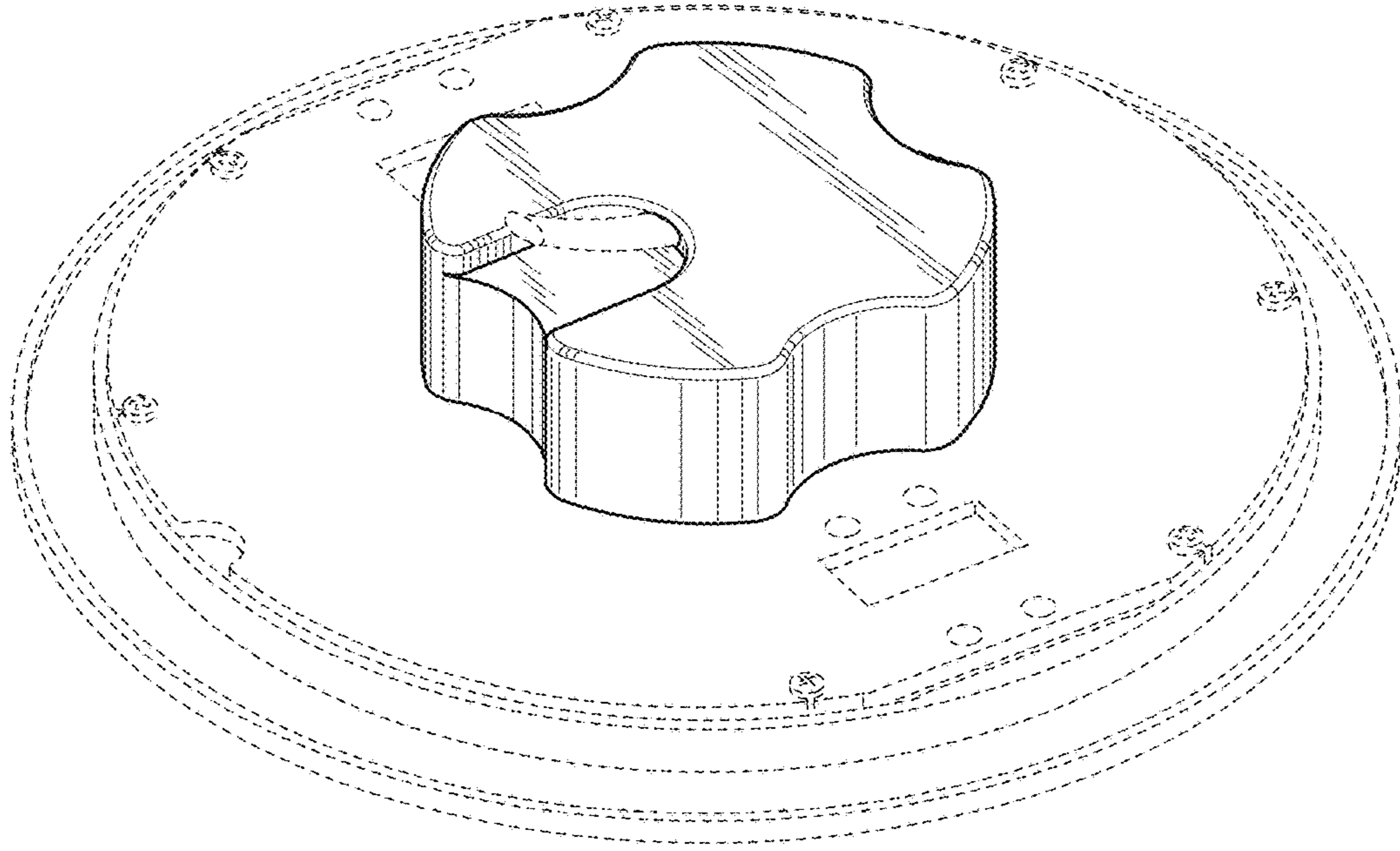


**FIG. 7**

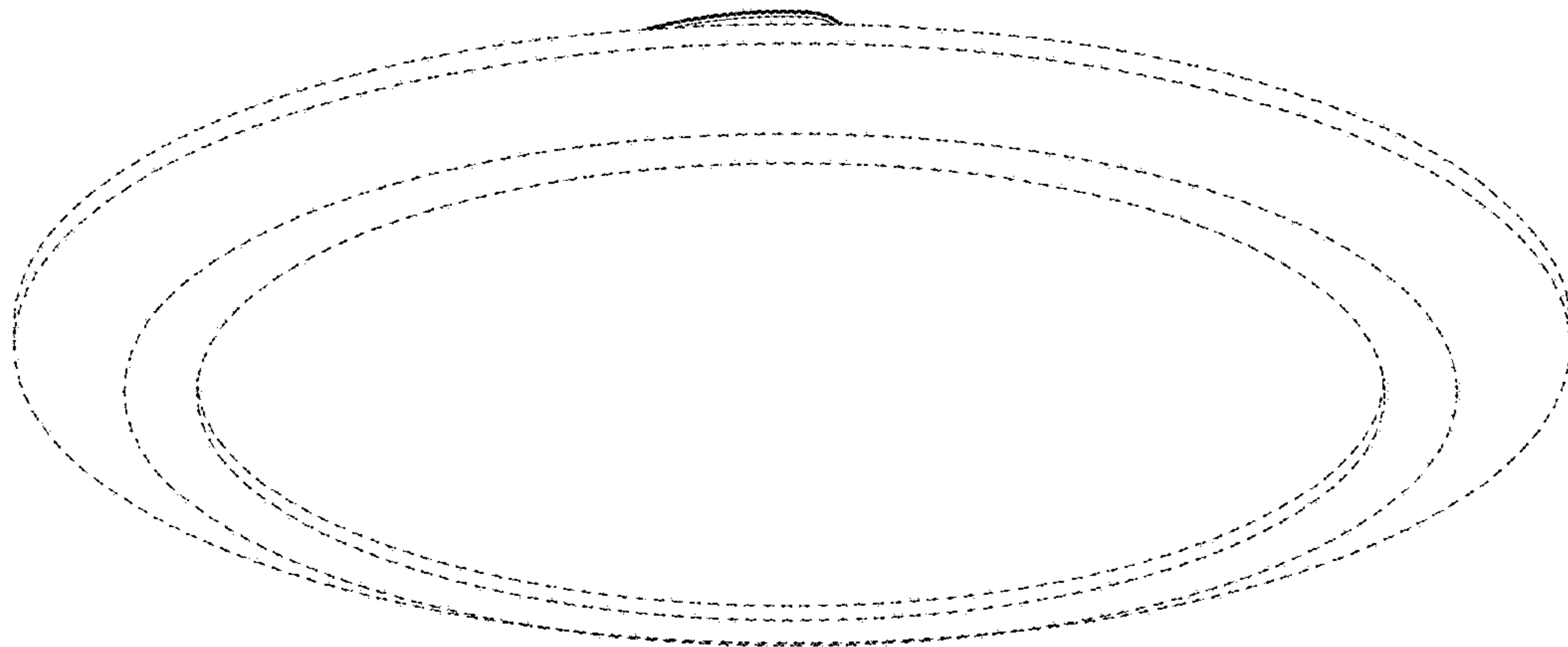




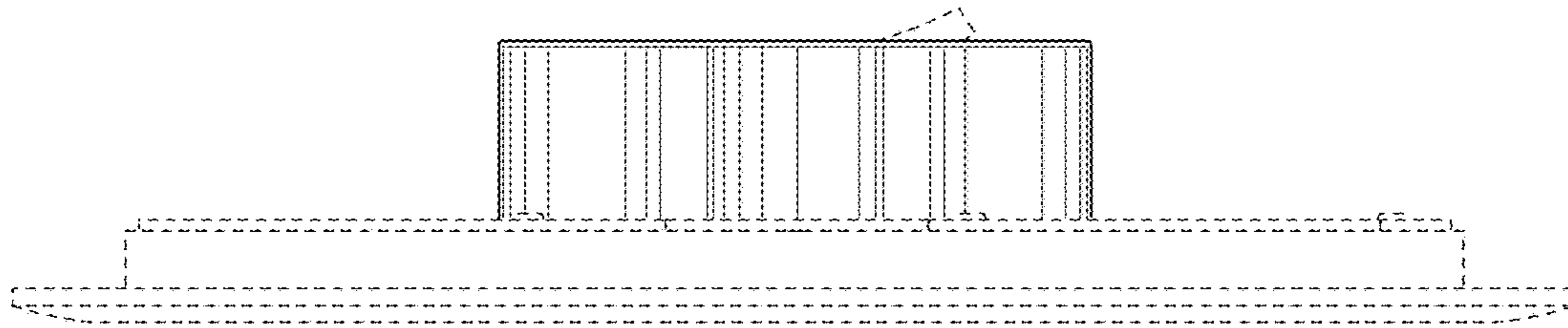
**FIG. 8**



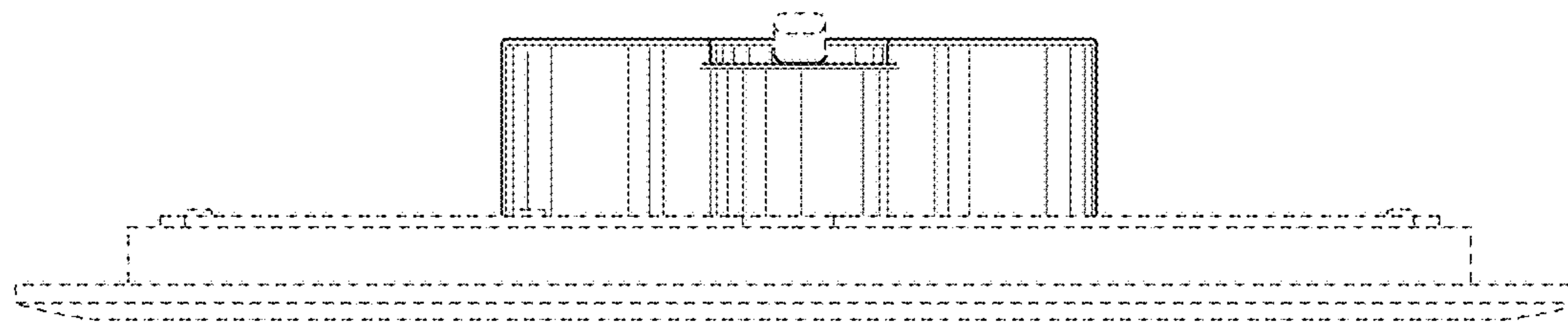
**FIG. 9**



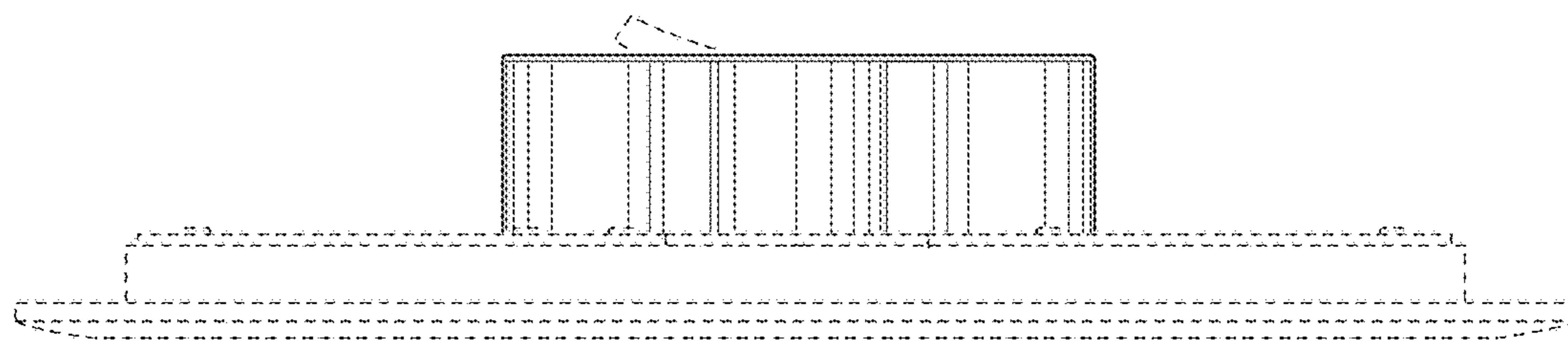
**FIG. 10**



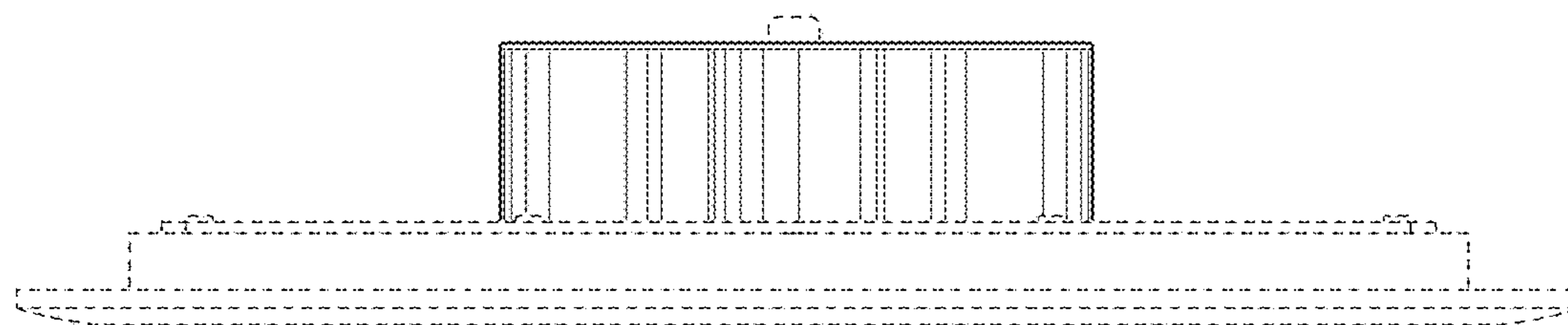
**FIG. 11**



**FIG. 12**

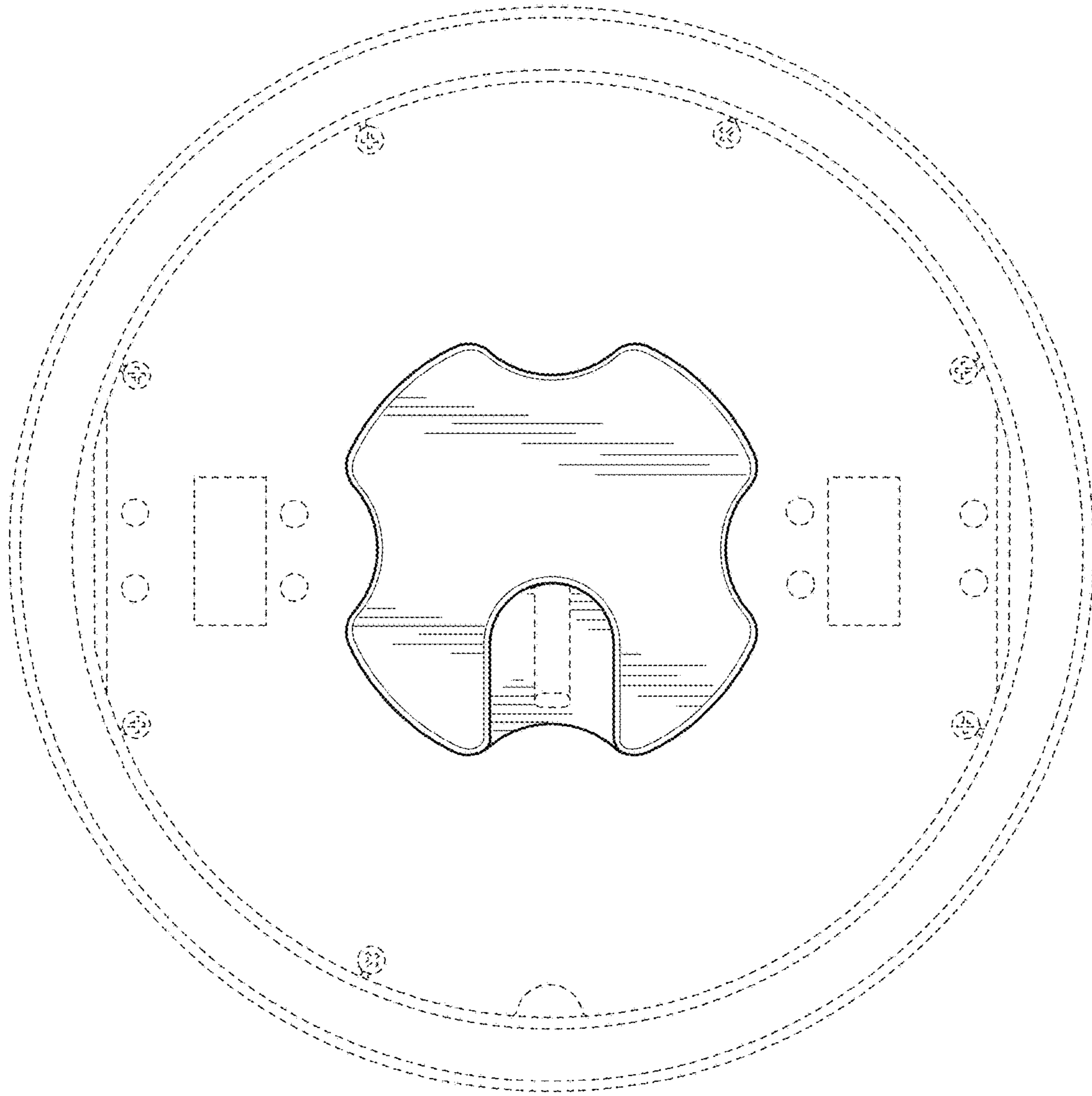


**FIG. 13**

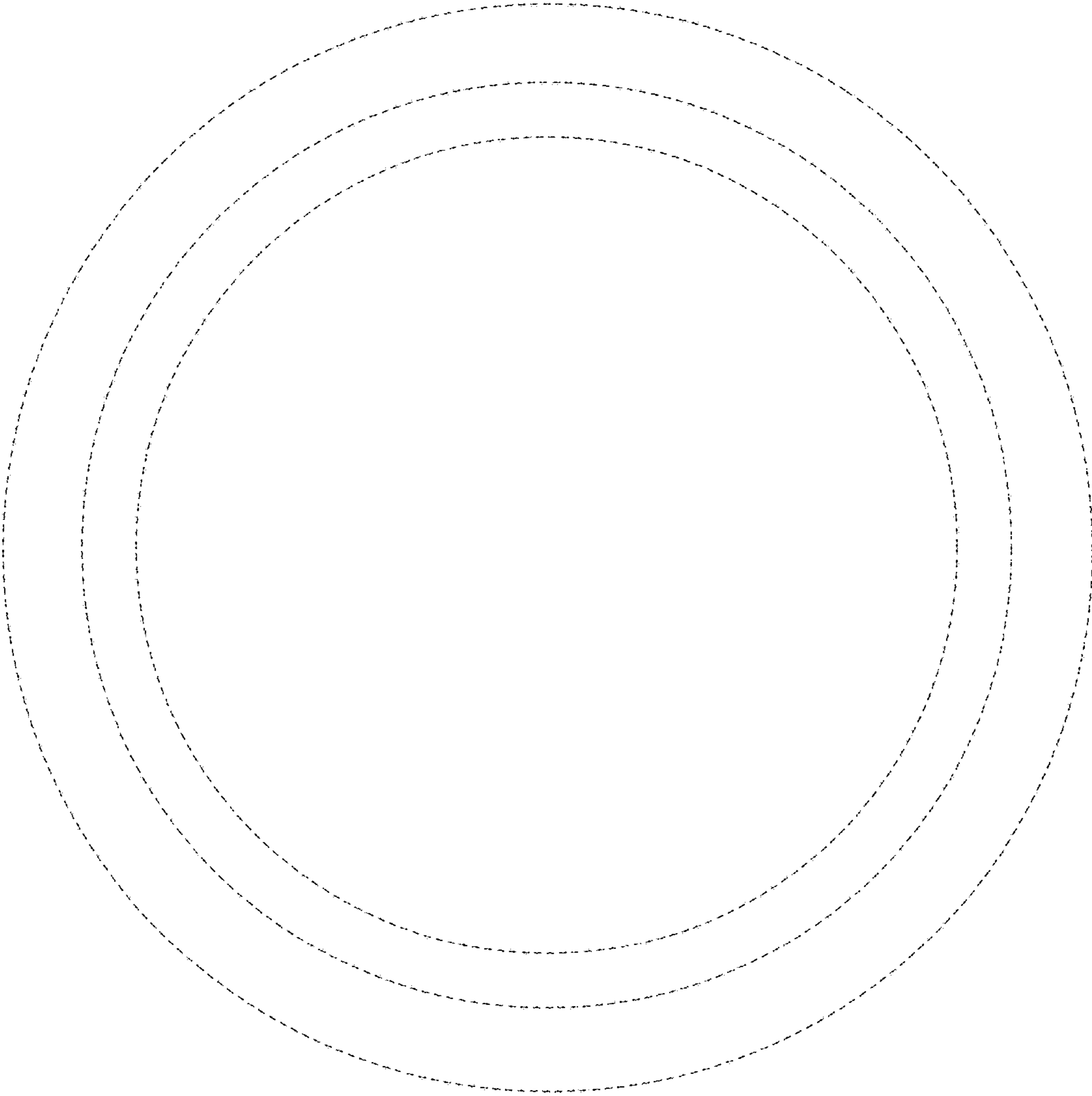


**FIG. 14**





**FIG. 15**



**FIG. 16**