



US00D816256S

(12) **United States Design Patent**
Benghozi et al.

(10) **Patent No.:** **US D816,256 S**
(45) **Date of Patent:** **** Apr. 24, 2018**

(54) **FIRE PROOF RECESSED LIGHT FIXTURE**

(71) Applicant: **BAZZ INC.**, Saint-Laurent (CA)

(72) Inventors: **Simon Benghozi**, Montreal (CA);
Sebastien Allen, St-Lazare (CA)

(73) Assignee: **BAZZ INC.**, Ville Saint-Laurent (CA)

(**) Term: **15 Years**

(21) Appl. No.: **29/567,242**

(22) Filed: **Jun. 7, 2016**

(51) **LOC (11) Cl.** **26-25**

(52) **U.S. Cl.**
USPC **D26/74**

(58) **Field of Classification Search**
USPC D26/74, 72, 75, 76, 77, 78, 85, 88, 89,
D26/118, 138, 141; 362/364, 365, 373,
362/145, 146, 147, 148, 150, 153, 153.1,
362/294, 296.01, 296.07, 296.08
See application file for complete search history.

(56) **References Cited**

U.S. PATENT DOCUMENTS

D383,564 S	9/1997	Lecluze	
D473,966 S *	4/2003	Lecluze	D26/74
D488,251 S	4/2004	Benghozi	
D548,390 S *	8/2007	Lecluze	D26/138
D601,740 S *	10/2009	Seo	D26/74
D606,696 S *	12/2009	Chen	D26/74
D609,840 S *	2/2010	Tang	D26/74
D622,434 S *	8/2010	Ward	F21S 8/026 D26/74
D640,819 S	6/2011	Pan	
D665,117 S *	8/2012	Yoshida	D26/74
D668,372 S	10/2012	Renshaw	
D671,668 S	11/2012	Rowlette, Jr.	

D684,288 S *	6/2013	Gielen	D26/74
D694,456 S *	11/2013	Rowlette, Jr.	D26/74
D714,989 S *	10/2014	Rowlette, Jr.	D26/74
D723,153 S *	2/2015	Borkholder	D23/411
D724,775 S *	3/2015	van Dijk	D26/74
D731,689 S	6/2015	Bernard	
D767,809 S	9/2016	Gotz-Schafer	
D772,466 S	11/2016	Zhang	
D773,097 S	11/2016	Zhao	
D782,721 S *	3/2017	Cohen	D26/74

OTHER PUBLICATIONS

OA U.S. Appl. No. 29/567,244 dated Sep. 22, 2017.

* cited by examiner

Primary Examiner — Angela J Lee

(74) *Attorney, Agent, or Firm* — Gonzalo Lavin

(57) **CLAIM**

The ornamental design for a “fire proof recessed light fixture”, as shown and described.

DESCRIPTION

FIG. 1 is a perspective bottom view of the fire proof recessed light fixture;

FIG. 2 is a front view thereof;

FIG. 3 is a rear view thereof;

FIG. 4 is a right view thereof;

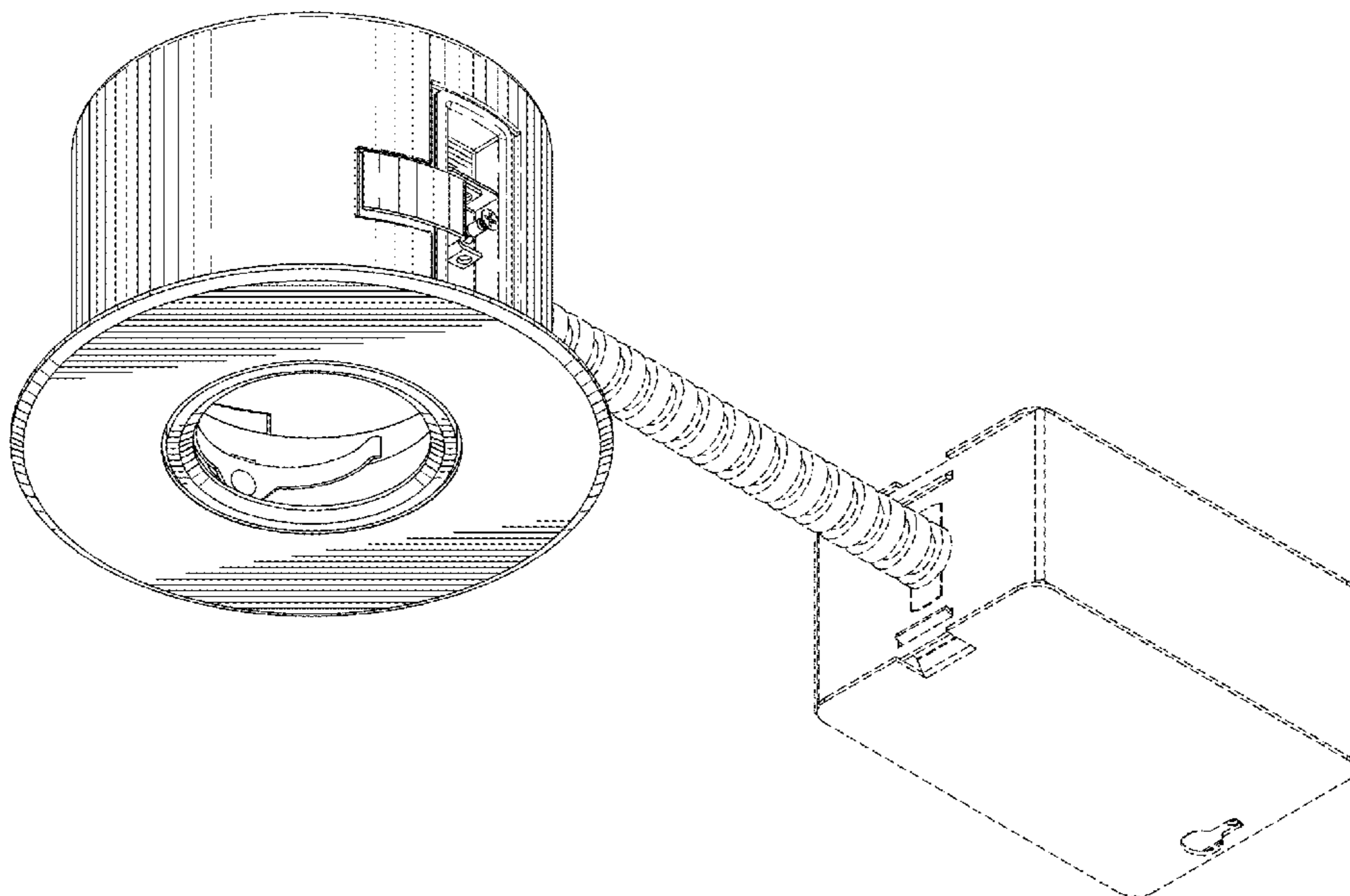
FIG. 5 is a left view thereof;

FIG. 6 is a bottom plan view thereof; and,

FIG. 7 is a top plan view thereof.

The broken line showing of portions of the “fire proof recessed light fixture” is included for the purpose of illustrating environmental structure and forms no part of the claimed design.

1 Claim, 6 Drawing Sheets



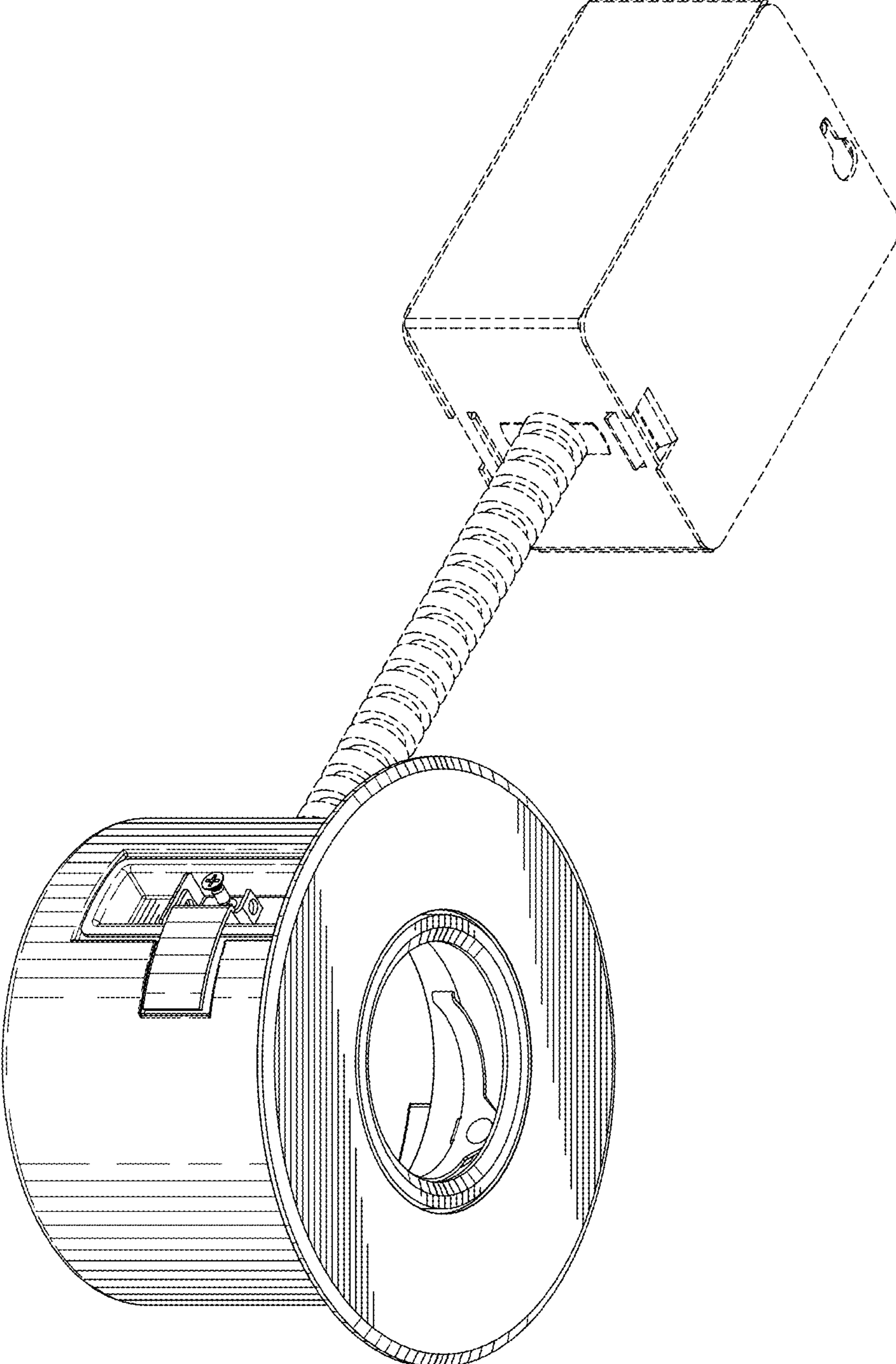
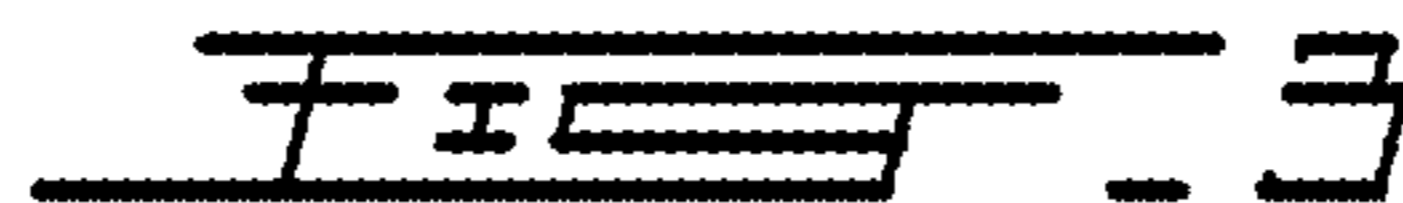
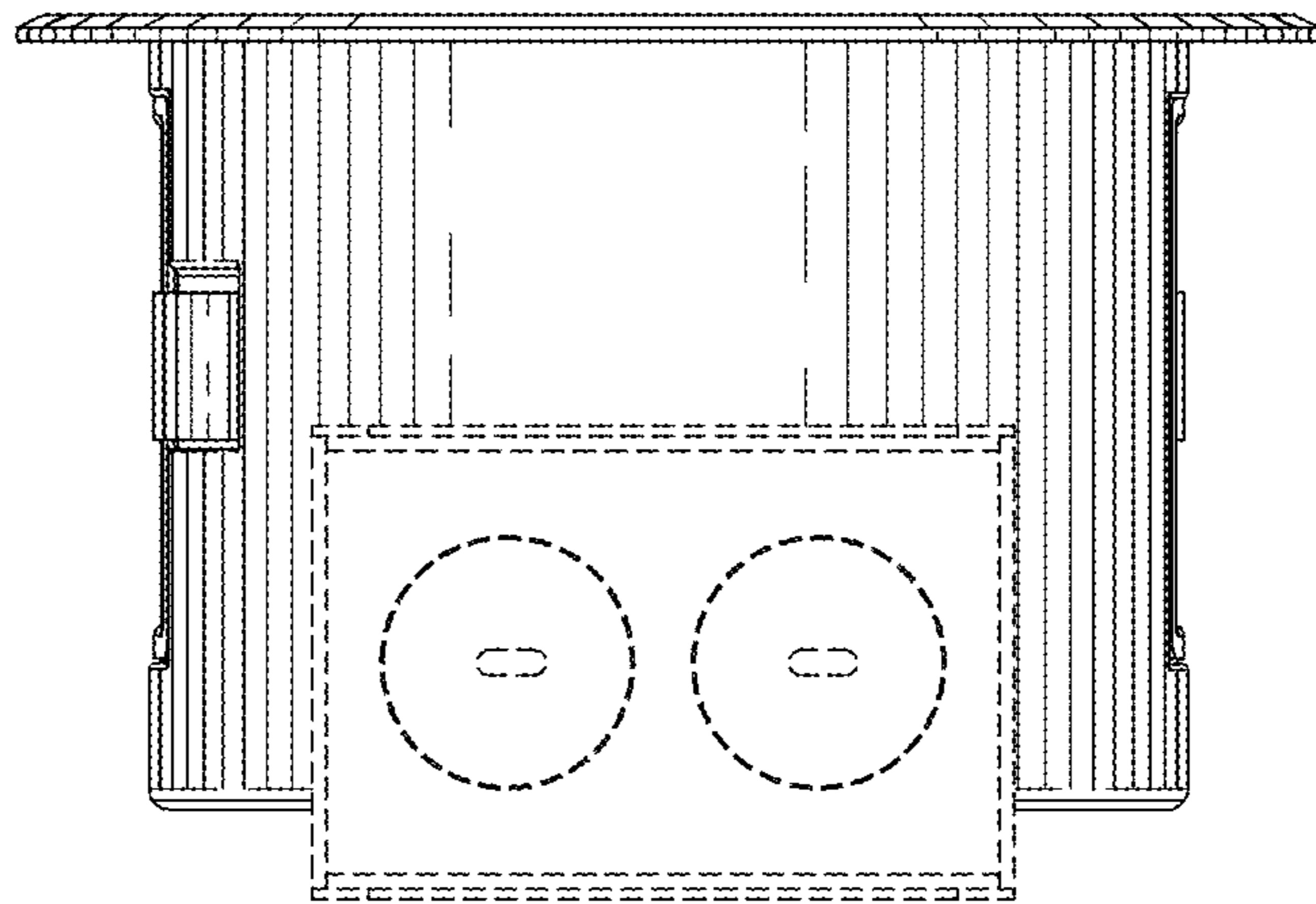
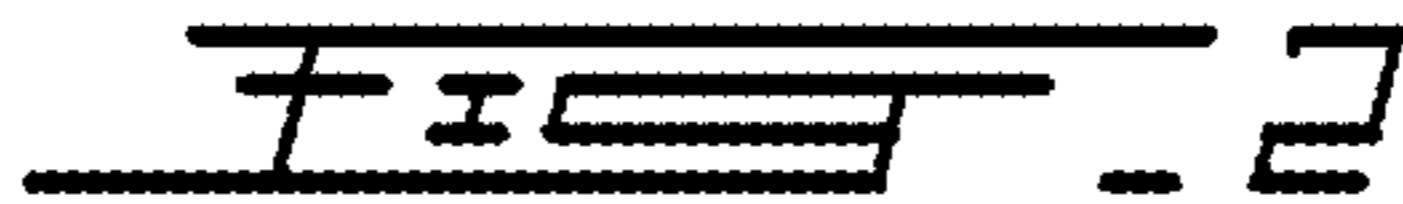
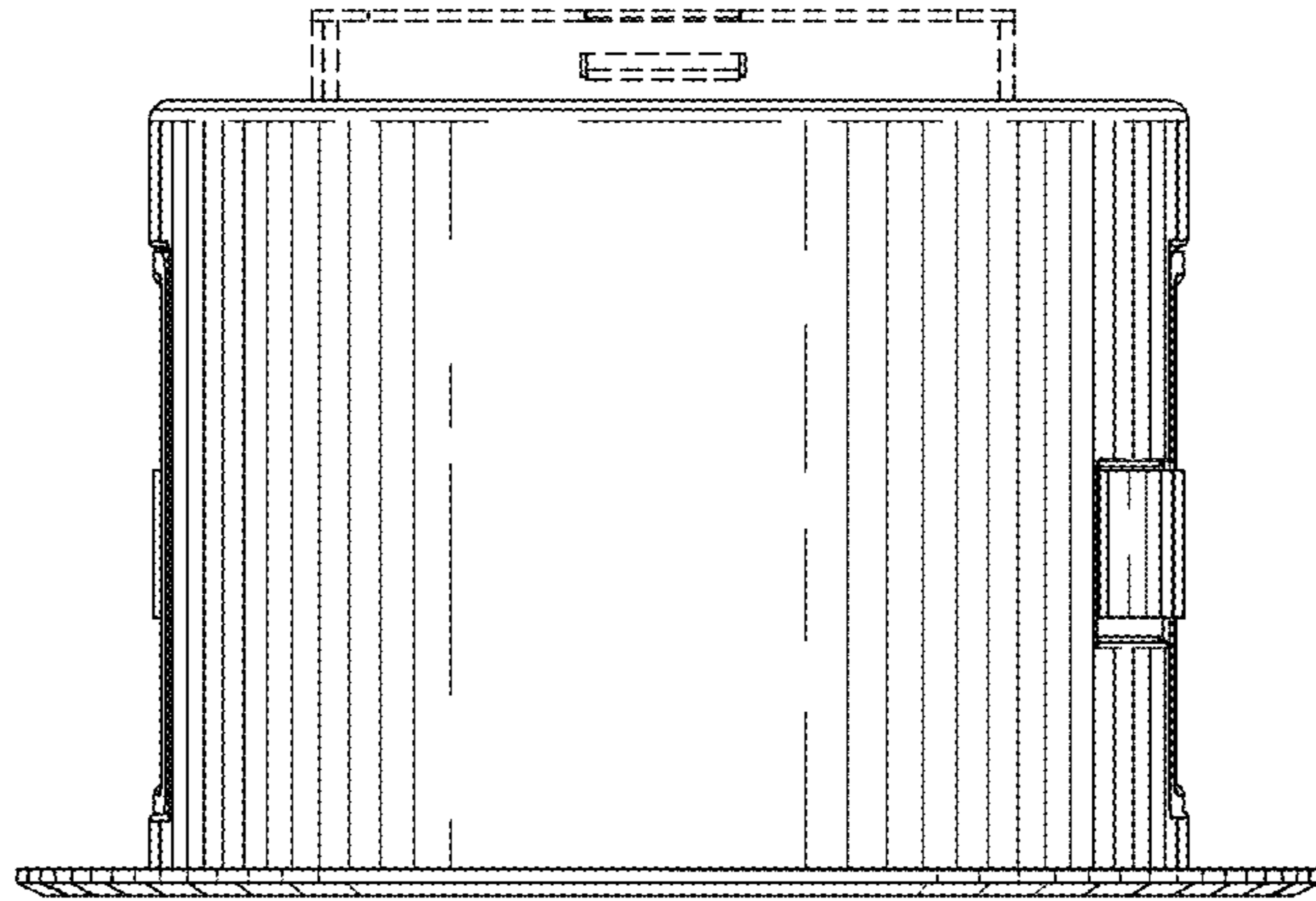


FIG. 1



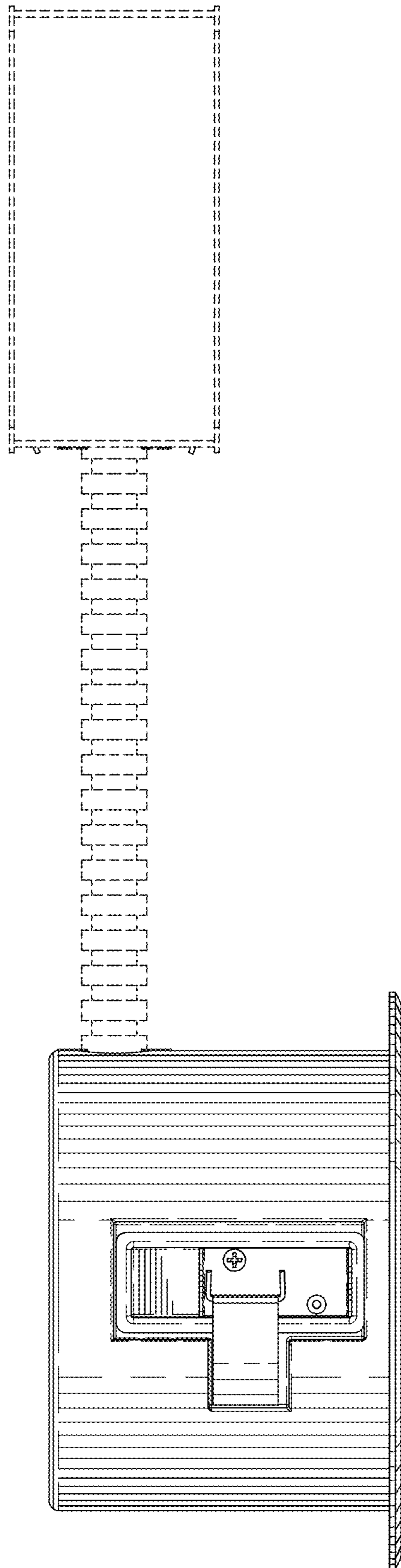


FIG. 4

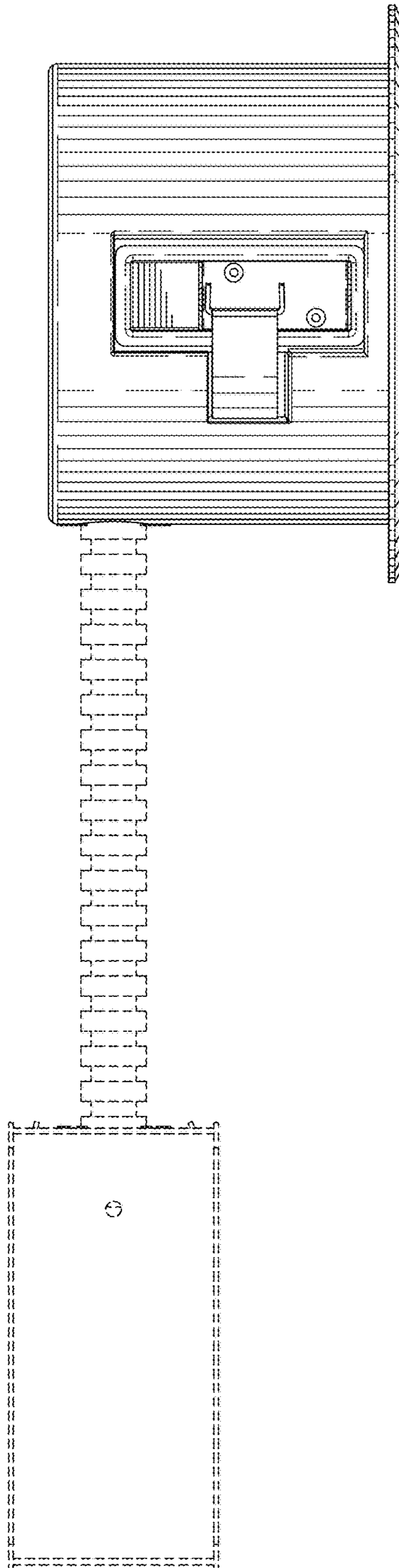


FIG. 5

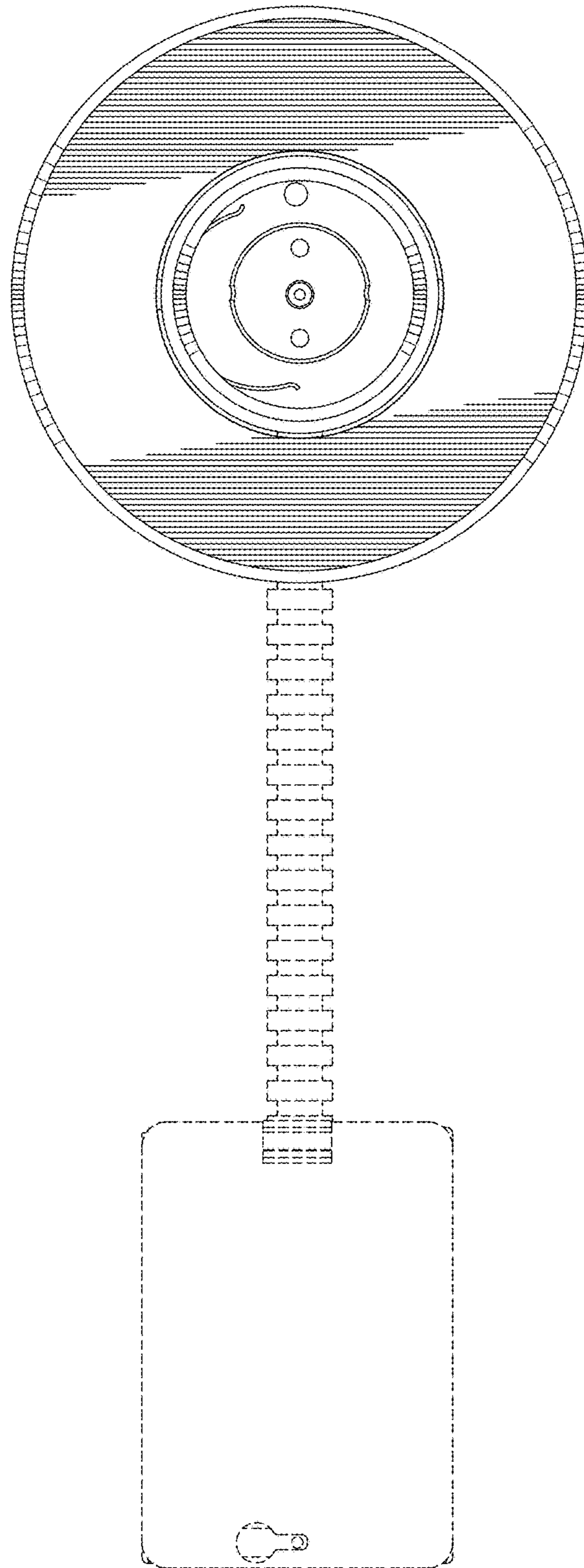


FIG. 6

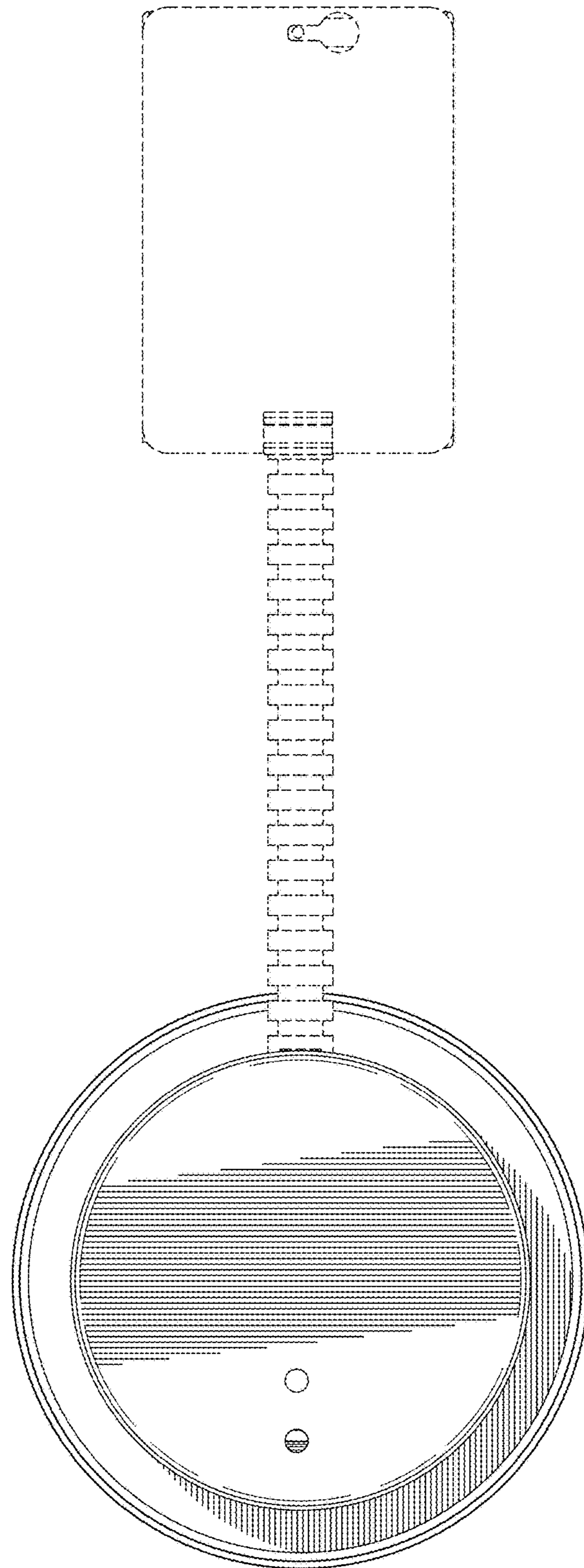


FIG. 7